



Basic Round

Josep Patsi

05-9677-14-M1

Wall fixture IP65 Basic Round E27 White



TECHNICAL FEATURES

IP65 IK10

Structure material : Polycarbonate + ABS

Structure finish : White

Diffuser material : Polycarbonate

Diffuser finish : Opal

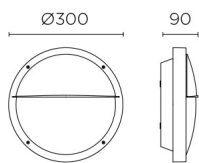
Recommended light bulb : E27

Voltage / frequency : 220-240V/50-60Hz

Warranty : 5 Years

Seaside : Yes

Energy efficiency : Light bulb not included



LUMINOTECHNIC FEATURES

Lampholder: 2 x E27

LOGISTICS

Net weight (kg): 0.75

Packaged weight (kg): 0.95

Packaging: 310mm x 115mm x 310mm

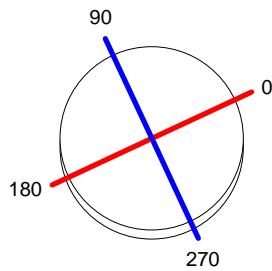
 12 Un



Luminaire		Measur.		Lamp	
Code	05-9677-14-M1	Code	05-9677-14-M1	Code	PL ELEC23W/827 E27
Name	Aplique opal 2x23W CFL E27	Name	Aplique opal 2x23W CFL E27	Number	2
Line	- LEDS-C4	Date	15-07-2015	Position	Universal
Efficiency	34.78%	Coordinate system	CG	Total Flux	2970.00 lm
Maximum value	200.47 cd	Position	C=90.00 G=10.00	Sym. on planes	270-90
Round Luminaire	Diam.	300 mm	Height	100 mm	
Round Luminous Area	Diam.	260 mm	Height	30 mm	
Horizontal Luminous Area	0.053093 m2		Emitting area on Plane 180°	0.007800 m2	
Emitting area on Plane 0°	0.007800 m2		Emitting area on Plane 270°	0.007800 m2	
Emitting area on Plane 90°	0.007800 m2		Glare area at 76°	0.020413 m2	
Symmetry Type	Sym. on planes 270-90		Maximum Gamma Angle	180	
Measurement Distance	6.44		Measurement Flux	2893.00 lm	
Operator	Asselum T2		Source voltage	230.00 V	
Temperature	25.00 °C		Source current		
Humidity	53.00 %		Photocell	Prc	
Notes					

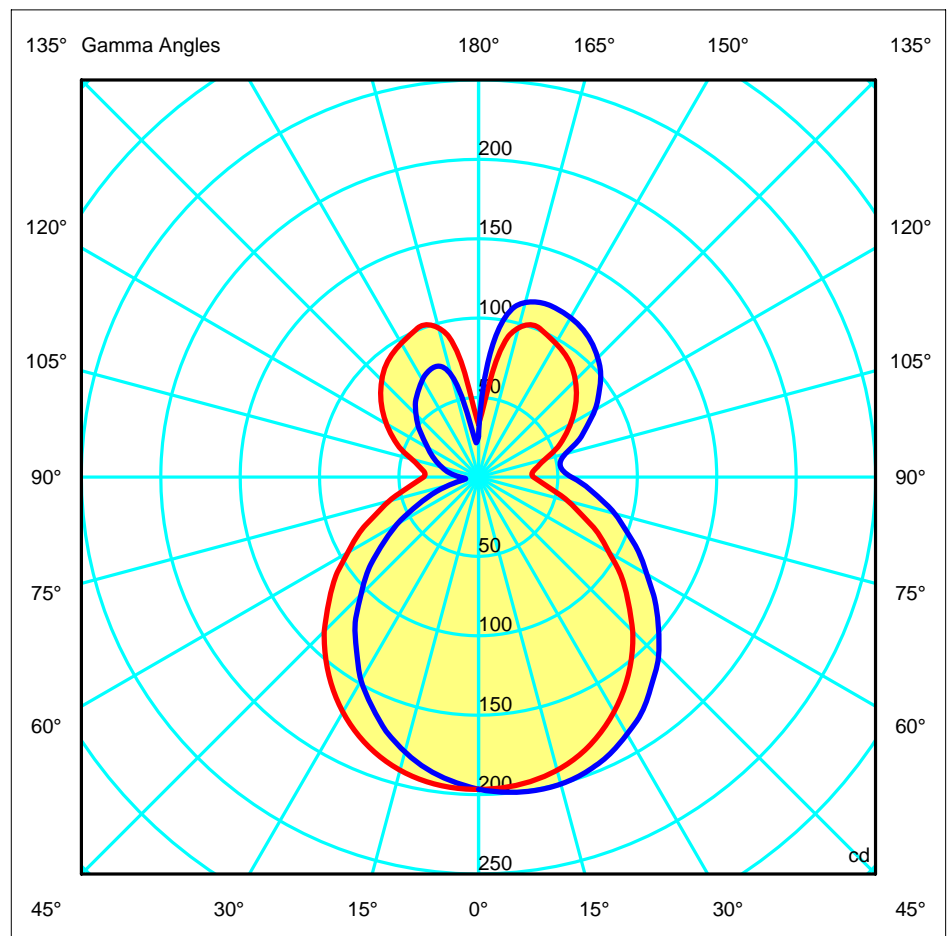
Luminaire Lamps					
Line	Code	Name	Flux [lm]	Pow. [W]	Q.ty
PHILIPS 2005 ILCOS FBT,G,C,FSQ	PL ELEC23W/827 E27	MASTER PL electr 23W/827 E27	1485.00	23.00	2
C.I.E.	42 72 89 61 35	D DIN 5040			
F UTE	0.21 G + 0.14 T	B NBN	B31	BZ 5	

Diam=300mm



C Halfplanes
 270.0 ——— 0.0
 180.0 ——— 90.0

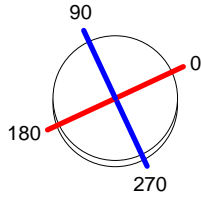
ULOR 13.62 %
 DLOR 21.16 %
 RN 39.15 %



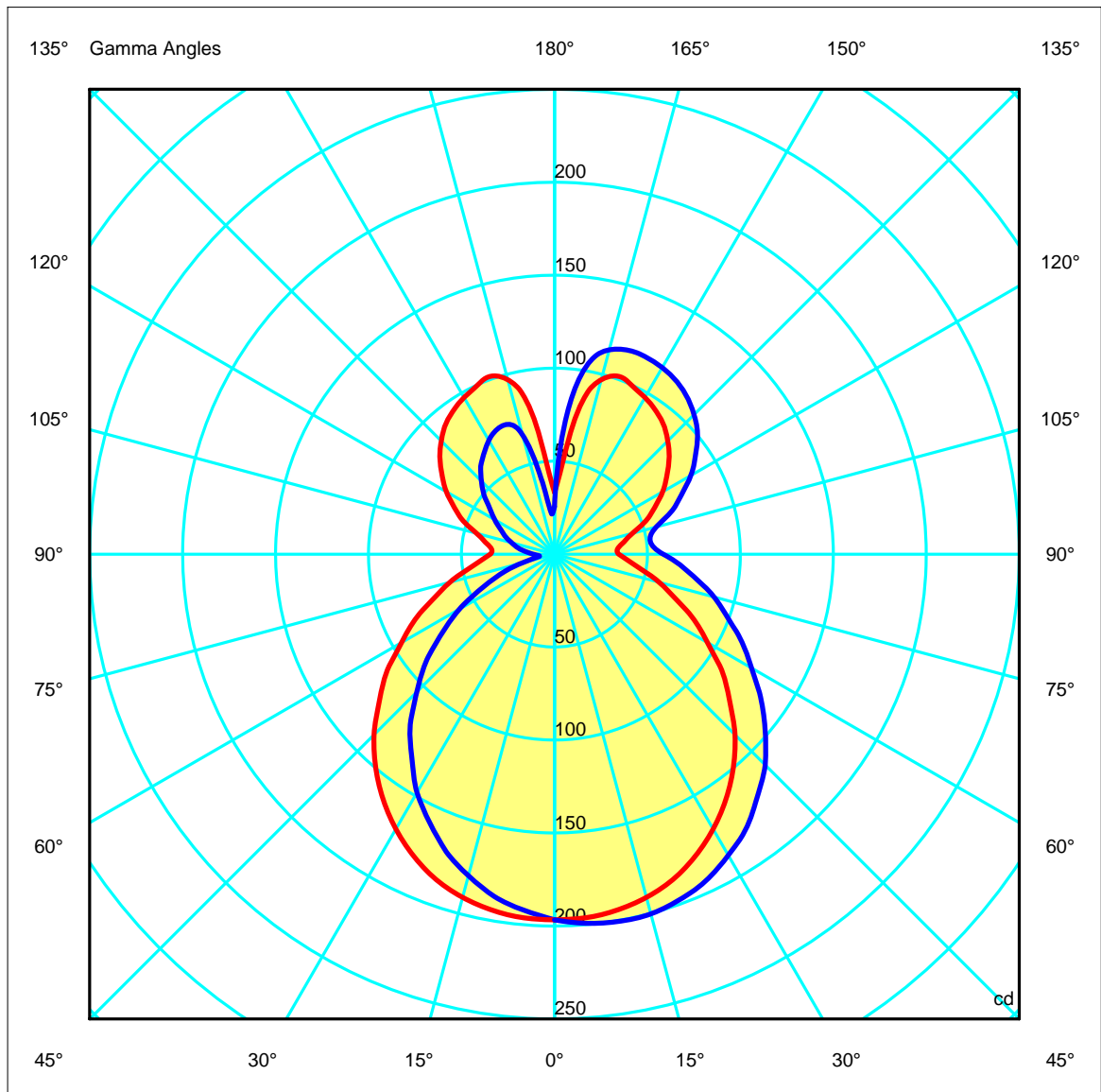
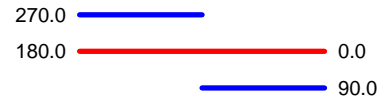
Luminaire		Measur.		Lamp									
Code	05-9677-14-M1	Code	05-9677-14-M1	Code	PL ELEC23W/827 E27								
Name	Aplique opal 2x23W CFL E27	Name	Aplique opal 2x23W CFL E27	Number	2								
Line	- LEDS-C4	Date	15-07-2015	Position	Universal								
Efficiency	34.78%	Coordinate system	CG	Total Flux	2970.00 lm								
Maximum value	200.47 cd	Position	C=90.00 G=10.00	Sym. on planes	270-90								
Luminous Intensity Table cd Table 1/1													
	C 270.00	C 285.00	C 300.00	C 315.00	C 330.00	C 345.00	C 0.00	C 15.00	C 30.00	C 45.00	C 60.00	C 75.00	C 90.00
G 0.0	196.63	196.63	196.63	196.63	196.63	196.63	196.63	196.63	196.63	196.63	196.63	196.63	196.63
G 5.0	192.11	192.16	193.17	193.92	193.58	195.22	196.29	196.72	197.68	198.13	199.46	198.69	199.30
G 10.0	186.88	187.32	187.16	189.26	189.31	192.46	194.29	195.00	197.62	198.22	200.32	199.59	200.47
G 15.0	178.97	180.16	180.72	183.50	183.67	187.74	191.10	192.35	196.00	196.76	199.83	198.82	200.29
G 20.0	170.31	172.31	170.89	175.41	176.03	182.11	186.20	187.08	192.67	192.94	197.27	195.53	197.58
G 25.0	159.01	161.05	161.35	166.24	166.77	173.82	179.26	180.83	186.60	187.41	192.52	190.70	193.46
G 30.0	147.99	149.85	148.77	155.43	155.79	164.92	170.57	171.82	180.01	180.34	185.93	184.23	186.96
G 35.0	133.77	136.02	136.91	143.50	143.04	153.45	160.90	162.99	170.60	171.67	178.55	176.03	179.89
G 40.0	120.80	123.75	121.87	130.24	130.87	142.50	149.56	151.13	161.47	161.78	168.92	166.93	169.89
G 45.0	104.59	107.96	108.33	116.57	116.41	128.45	137.32	139.91	149.26	150.41	158.57	156.12	160.29
G 50.0	90.51	94.17	91.87	100.50	102.33	115.29	123.01	125.57	137.78	137.96	146.25	144.20	147.82
G 55.0	73.60	77.51	77.66	86.52	86.70	99.86	110.14	112.64	123.40	124.82	133.68	131.40	135.69
G 60.0	59.13	63.28	61.05	70.37	72.73	86.40	94.90	98.58	111.41	112.08	119.94	119.27	122.34
G 65.0	42.97	47.45	47.49	56.91	58.33	71.68	82.67	86.59	97.74	99.98	108.81	107.39	111.21
G 70.0	30.46	34.51	33.27	42.58	46.38	59.69	68.85	73.51	86.48	88.36	96.04	96.05	98.91
G 75.0	18.13	21.97	22.91	31.75	34.78	47.63	58.35	62.96	73.93	77.05	85.76	85.40	88.89
G 80.0	9.18	13.48	14.93	22.60	27.73	38.80	47.40	52.32	63.72	66.48	74.03	74.72	77.53
G 85.0	8.71	9.10	12.31	17.83	22.49	31.30	39.97	45.12	53.90	57.34	64.92	64.98	68.16
G 90.0	11.42	10.01	13.39	16.11	21.31	27.60	34.58	40.09	47.62	51.04	55.91	56.87	58.50
G 95.0	15.56	13.76	17.31	18.56	25.05	28.49	34.11	40.41	44.74	48.60	51.51	52.93	52.80
G100.0	20.16	17.76	22.12	23.21	29.84	33.00	37.86	44.28	46.03	50.54	51.17	54.45	52.28
G105.0	23.84	21.99	26.10	28.17	36.16	39.59	43.39	51.59	51.94	57.50	55.79	61.74	56.63
G110.0	28.31	25.83	31.10	33.03	41.95	46.71	52.30	59.99	59.87	66.56	65.61	71.28	66.85
G115.0	32.15	29.84	35.69	38.41	49.01	53.98	59.46	67.99	69.09	75.52	74.01	81.26	75.22
G120.0	37.35	34.64	41.59	44.51	55.46	60.74	67.19	75.19	76.40	84.14	83.35	89.85	84.72
G125.0	42.33	39.97	47.14	51.07	62.61	67.41	73.78	82.48	84.40	91.35	90.63	98.59	92.56
G130.0	49.48	45.74	54.46	57.67	68.59	74.04	80.49	88.45	90.52	98.57	98.24	105.41	100.46
G135.0	55.59	52.22	60.98	64.34	74.98	79.80	86.11	94.38	96.82	104.03	103.79	111.69	106.11
G140.0	61.73	58.10	67.33	70.14	79.63	84.92	91.17	98.35	101.19	108.38	108.76	115.59	110.64
G145.0	66.10	62.91	71.77	74.88	84.00	88.66	94.54	101.52	104.85	111.55	111.90	119.01	114.00
G150.0	70.69	67.09	76.64	79.17	87.31	91.77	97.32	103.74	107.06	113.95	114.35	120.89	115.78
G155.0	73.79	70.96	80.11	83.16	90.95	94.46	99.58	105.69	109.03	115.35	115.62	122.09	116.92
G160.0	74.25	72.56	80.12	84.66	91.79	97.03	101.73	105.71	109.76	114.20	115.19	121.54	116.66
G165.0	66.47	68.58	73.02	80.73	82.15	93.49	97.11	97.13	105.00	108.82	112.49	116.38	113.74
G170.0	41.48	48.74	44.12	59.82	58.06	76.39	82.03	81.77	94.26	93.04	101.71	103.46	104.04
G175.0	22.52	27.84	24.72	33.36	30.39	46.36	49.17	52.65	61.75	69.73	72.34	78.81	74.83
G180.0	25.50	24.28	28.85	28.91	31.72	32.32	33.26	32.32	31.72	28.91	28.85	24.28	25.50

Luminaire		Measur.		Lamp	
Code	05-9677-14-M1	Code	05-9677-14-M1	Code	PL ELEC23W/827 E27
Name	Aplique opal 2x23W CFL E27	Name	Aplique opal 2x23W CFL E27	Number	2
Line	- LEDS-C4	Date	15-07-2015	Position	Universal
Efficiency	34.78%	Coordinate system	CG	Total Flux	2970.00 lm
Maximum value	200.47 cd	Position	C=90.00 G=10.00	Sym. on planes	270-90

Diam=300mm

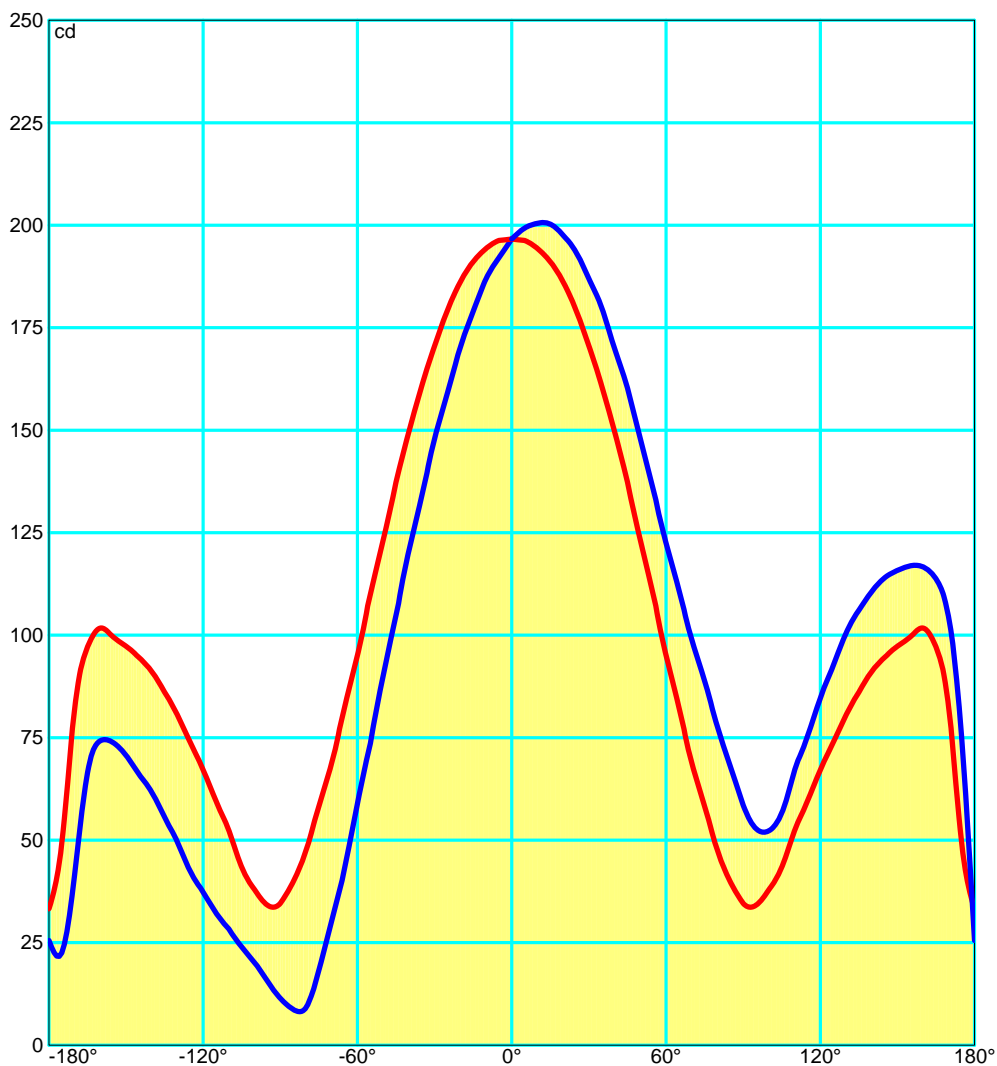
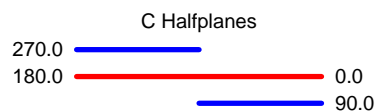
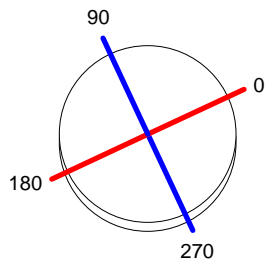


C Halfplanes



Luminaire		Measur.		Lamp	
Code	05-9677-14-M1	Code	05-9677-14-M1	Code	PL ELEC23W/827 E27
Name	Aplique opal 2x23W CFL E27	Name	Aplique opal 2x23W CFL E27	Number	2
Line	- LEDS-C4	Date	15-07-2015	Position	Universal
Efficiency	34.78%	Coordinate system	CG	Total Flux	2970.00 lm
Maximum value	200.47 cd	Position	C=90.00 G=10.00	Sym. on planes	270-90

Diam=300mm



Luminaire		Measur.		Lamp	
Code	05-9677-14-M1	Code	05-9677-14-M1	Code	PL ELEC23W/827 E27
Name	Aplique opal 2x23W CFL E27	Name	Aplique opal 2x23W CFL E27	Number	2
Line	- LEDS-C4	Date	15-07-2015	Position	Universal
Efficiency	34.78%	Coordinate system	CG	Total Flux	2970.00 lm
Maximum value	200.47 cd	Position	C=90.00 G=10.00	Sym. on planes	270-90

UGR
S = 0.250

Reflectancies										
Ceiling/Cavity	0.7	0.7	0.5	0.5	0.3	0.7	0.7	0.5	0.5	0.3
Walls	0.5	0.3	0.5	0.3	0.3	0.5	0.3	0.5	0.3	0.3
WorkingPlane	0.2	0.2	0.2	0.2	0.2	0.2	0.2	0.2	0.2	0.2
RoomDimensions	ViewedCrosswise					ViewedEndwise				
x=2H y=2H	13.5	14.4	14.3	15.3	13.9	11.2	12.1	12.0	12.9	13.9
x=2H y=3H	15.3	16.1	16.1	16.9	14.8	12.1	13.0	12.9	13.8	14.8
x=2H y=4H	16.1	16.9	16.9	17.8	15.1	12.4	13.2	13.2	14.0	15.1
x=2H y=6H	17.0	17.7	17.8	18.5	15.1	12.5	13.2	13.3	14.1	15.1
x=2H y=8H	17.4	18.1	18.3	18.9	15.1	12.5	13.2	13.4	14.1	15.1
x=2H y=12H	17.8	18.5	18.7	19.3	15.2	12.6	13.2	13.4	14.1	15.2
x=4H y=2H	14.2	15.0	15.0	15.8	14.5	11.8	12.6	12.6	13.5	14.5
x=4H y=3H	16.2	16.8	17.0	17.7	15.5	12.9	13.5	13.7	14.4	15.5
x=4H y=4H	17.2	17.8	18.0	18.6	15.8	13.2	13.8	14.1	14.7	15.8
x=4H y=6H	18.2	18.7	19.1	19.6	16.0	13.4	13.9	14.3	14.8	16.0
x=4H y=8H	18.6	19.1	19.6	20.0	16.0	13.5	14.0	14.4	14.9	16.0
x=4H y=12H	19.2	19.6	20.1	20.5	16.1	13.6	14.0	14.4	14.9	16.1
x=8H y=4H	17.6	18.1	18.5	19.0	16.1	13.6	14.1	14.5	15.0	16.1
x=8H y=6H	18.8	19.2	19.8	20.2	16.4	13.9	14.3	14.8	15.2	16.4
x=8H y=8H	19.5	19.8	20.4	20.7	16.5	14.0	14.3	14.9	15.3	16.5
x=8H y=12H	20.1	20.4	21.1	21.4	16.6	14.1	14.4	15.1	15.4	16.6
x=12H y=4H	17.7	18.2	18.6	19.1	16.2	13.7	14.1	14.6	15.0	16.2
x=12H y=6H	19.0	19.4	20.0	20.3	16.5	14.0	14.4	15.0	15.3	16.5
x=12H y=8H	19.7	20.0	20.7	21.0	16.7	14.2	14.5	15.2	15.5	16.7

Luminaire		Measur.		Lamp	
Code	05-9677-14-M1	Code	05-9677-14-M1	Code	PL ELEC23W/827 E27
Name	Aplique opal 2x23W CFL E27	Name	Aplique opal 2x23W CFL E27	Number	2
Line	- LEDS-C4	Date	15-07-2015	Position	Universal
Efficiency	34.78%	Coordinate system	CG	Total Flux	2970.00 lm
Maximum value	200.47 cd	Position	C=90.00 G=10.00	Sym. on planes	270-90

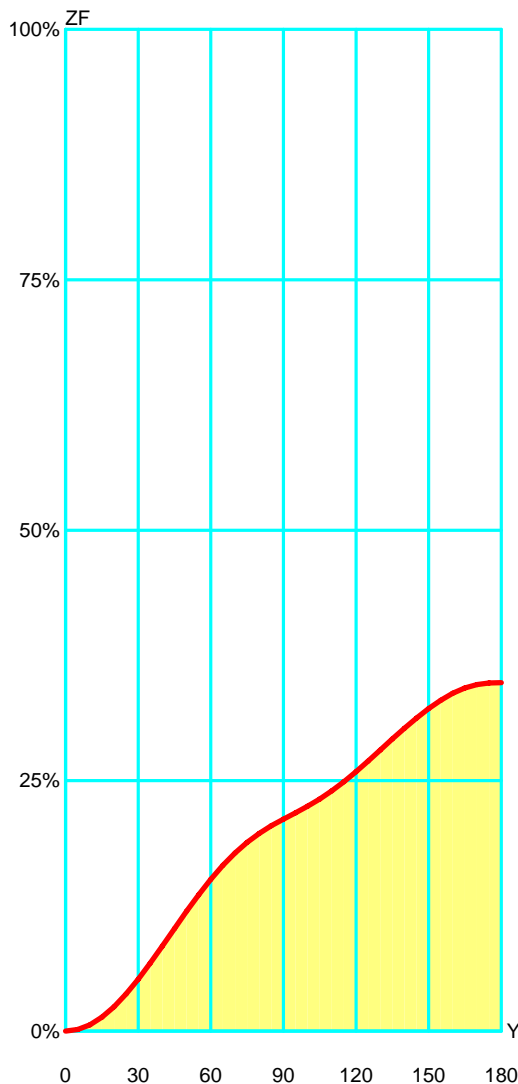
Total Flux=2970.00 Luminaire Flux=1032.97

RI	0.60	0.80	1.00	1.25	1.50	2.00	2.50	3.00	4.00	5.00	10.00	20.00
DRR	0.27	0.35	0.42	0.49	0.54	0.62	0.68	0.72	0.78	0.81	0.89	0.94
RC	6	6	6	6	6	6	6	6	6	7	7	7

Zonal Flux per 1000 Lumen																		
Y°	10	20	30	40	50	60	70	80	90	100	110	120	130	140	150	160	170	180
ZF(Y)	6	24	52	85	120	152	178	197	212	224	240	259	280	302	322	337	346	348

CIE Flux Codes
42 72 89 61 35

C.I.E.	6/6/6/6/6/6/6/6/7/7/7	LOR	34.78016 %
D DIN 5040	B31	ULOR	13.61791 %
F UTE	0.21 G + 0.14 T	DLOR	21.16225 %
B NBN	BZ 5	UFF	39.15426 %
RN	39.15426 %	DFF	60.84574 %
BLF	1.0	FFR	64.35003 %



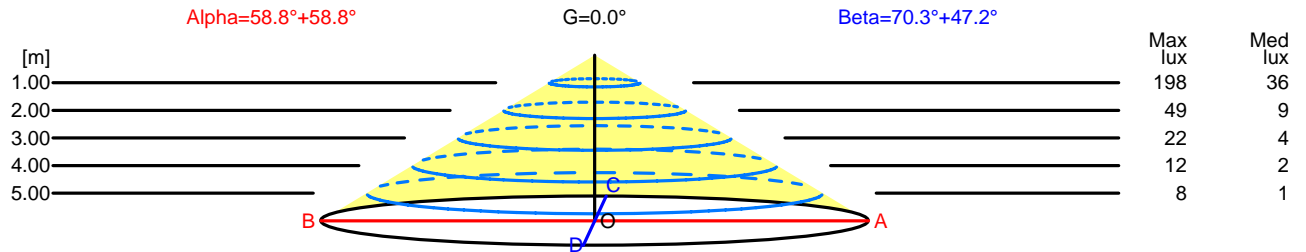
Zonal Flux				
Gamma °	Flux	Sum lm	Flux [%]	Sum [%]
0°	0.00	0.00	0.00%	0.00%
5°	1.58	1.58	0.45%	0.45%
10°	4.69	6.27	1.35%	1.80%
15°	7.66	13.94	2.20%	4.01%
20°	10.39	24.33	2.99%	6.99%
25°	12.76	37.08	3.67%	10.66%
30°	14.69	51.78	4.22%	14.89%
35°	16.14	67.91	4.64%	19.53%
40°	17.06	84.98	4.91%	24.43%
45°	17.44	102.41	5.01%	29.45%
50°	17.23	119.65	4.96%	34.40%
55°	16.52	136.16	4.75%	39.15%
60°	15.37	151.53	4.42%	43.57%
65°	13.93	165.46	4.01%	47.57%
70°	12.31	177.77	3.54%	51.11%
75°	10.61	188.38	3.05%	54.16%
80°	8.98	197.36	2.58%	56.74%
85°	7.60	204.96	2.19%	58.93%
90°	6.66	211.62	1.92%	60.85%
95°	6.29	217.92	1.81%	62.66%
100°	6.53	224.44	1.88%	64.53%
105°	7.21	231.66	2.07%	66.61%
110°	8.18	239.84	2.35%	68.96%
115°	9.16	249.00	2.63%	71.59%
120°	9.97	258.98	2.87%	74.46%
125°	10.58	269.55	3.04%	77.50%
130°	10.95	280.50	3.15%	80.65%
135°	11.04	291.54	3.17%	83.82%
140°	10.80	302.34	3.11%	86.93%
145°	10.23	312.57	2.94%	89.87%
150°	9.37	321.95	2.69%	92.57%
155°	8.29	330.24	2.38%	94.95%
160°	6.98	337.22	2.01%	96.96%
165°	5.35	342.57	1.54%	98.50%
170°	3.40	345.97	0.98%	99.47%
175°	1.52	347.48	0.44%	99.91%
180°	0.32	347.80	0.09%	100.00%

Luminaire		Measur.		Lamp	
Code	05-9677-14-M1	Code	05-9677-14-M1	Code	PL ELEC23W/827 E27
Name	Aplique opal 2x23W CFL E27	Name	Aplique opal 2x23W CFL E27	Number	2
Line	- LEDS-C4	Date	15-07-2015	Position	Universal
Efficiency	34.78%	Coordinate system	CG	Total Flux	2970.00 lm
Maximum value	200.47 cd	Position	C=90.00 G=10.00	Sym. on planes	270-90

Width at 50.00 % of Max Intensity

H[m]	1.00	2.00	3.00	4.00	5.00	H[m]	1.00	2.00	3.00	4.00	5.00
OA	1.65	3.31	4.96	6.61	8.27	OC	2.79	5.58	8.37	11.16	13.95
OB	1.65	3.31	4.96	6.61	8.27	OD	1.08	2.16	3.24	4.32	5.41

	Luminous Intensities [cd]									
	0	5	15	25	35	45	55	65	75	85
OA	196.63	196.29	191.10	179.26	160.90	137.32	110.14	82.67	58.35	39.97
OB	196.63	196.29	191.10	179.26	160.90	137.32	110.14	82.67	58.35	39.97
OC	196.63	199.30	200.29	193.46	179.89	160.29	135.69	111.21	88.89	68.16
OD	196.63	192.11	178.97	159.01	133.77	104.59	73.60	42.97	18.13	8.71



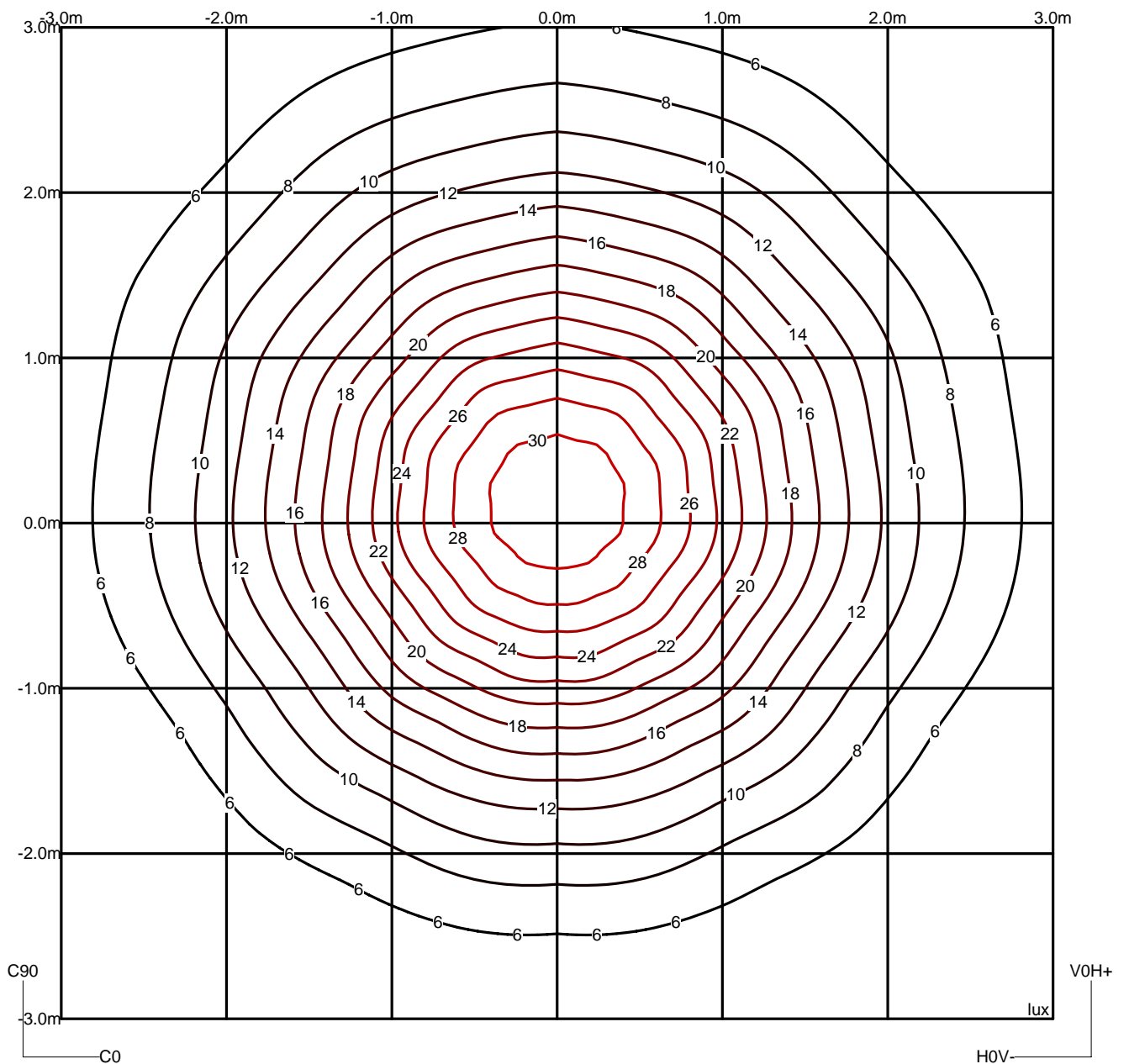
H[m]	D[m]	Max lux	Med lux	Alpha=58.8°+58.8°	G=0.0
1.00	3.31	198	36		
2.00	6.61	49	9		
3.00	9.92	22	4		
4.00	13.22	12	2		
5.00	16.53	8	1		

H[m]	D[m]	Max lux	Med lux	Beta=47.2°+70.3°	G=0.0
1.00	3.87	198	36		
2.00	7.74	49	9		
3.00	11.61	22	4		
4.00	15.48	12	2		
5.00	19.35	8	1		

Luminaire		Measur.		Lamp	
Code	05-9677-14-M1	Code	05-9677-14-M1	Code	PL ELEC23W/827 E27
Name	Aplique opal 2x23W CFL E27	Name	Aplique opal 2x23W CFL E27	Number	2
Line	- LEDS-C4	Date	15-07-2015	Position	Universal
Efficiency	34.78%	Coordinate system	CG	Total Flux	2970.00 lm
Maximum value	200.47 cd	Position	C=90.00 G=10.00	Sym. on planes	270-90

Isolux (Floor)

Luminaire position X=0.00m Y=0.00m Z=2.50m



Luminaire		Measur.		Lamp	
Code	05-9677-14-M1	Code	05-9677-14-M1	Code	PL ELEC23W/827 E27
Name	Aplique opal 2x23W CFL E27	Name	Aplique opal 2x23W CFL E27	Number	2
Line	- LEDS-C4	Date	15-07-2015	Position	Universal
Efficiency	34.78%	Coordinate system	CG	Total Flux	2970.00 lm
Maximum value	200.47 cd	Position	C=90.00 G=10.00	Sym. on planes	270-90

Utilizations CIE

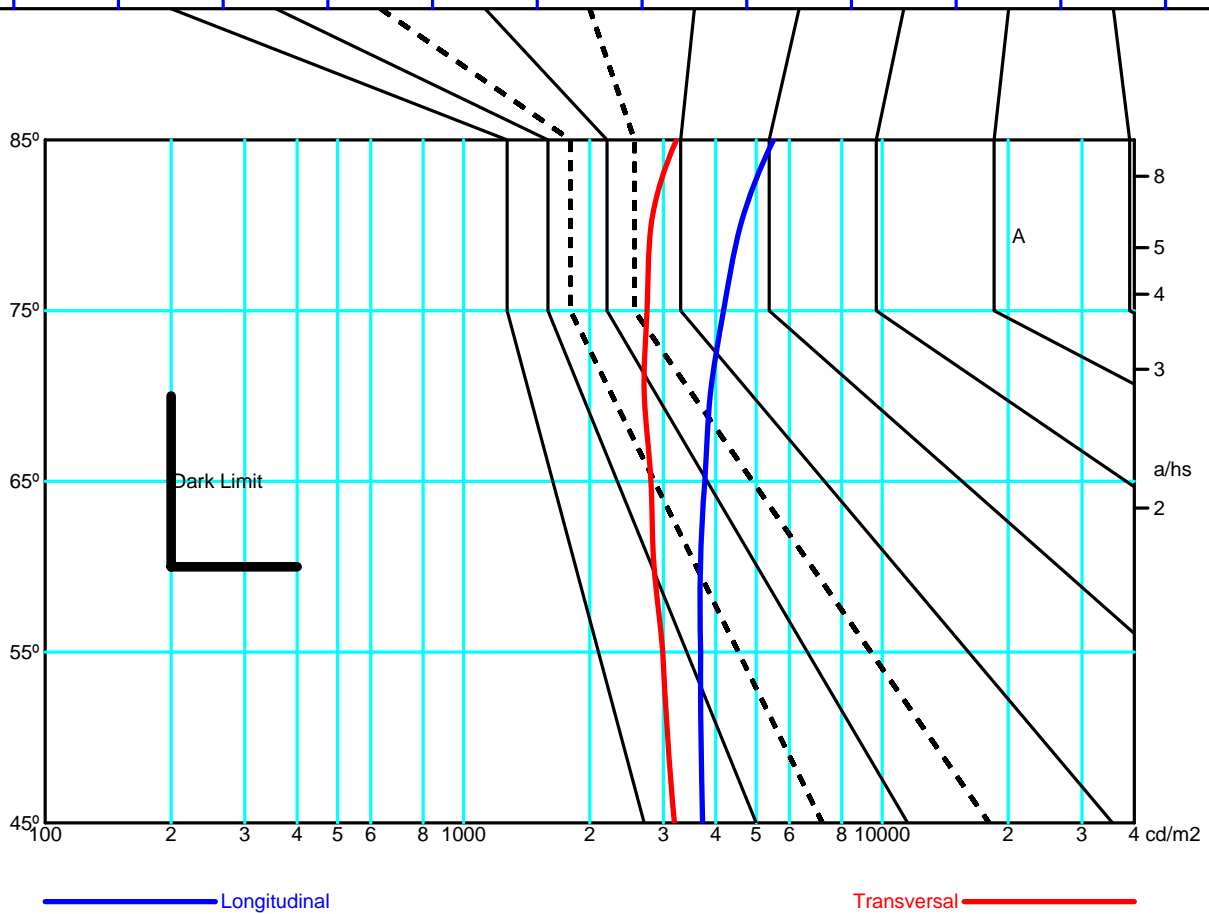
Mounting	Direct	Normalization										Suspension Ratio			Standard CIE Settings								
		Normalised										1/3											
Ceiling																							
K	8873	8773	8871	8771	7773	7771	7753	7553	7751	7551	7731	7331	7711	7111	5551	5531	5331	5511	5111	3331	3311	1111	0000
0.60	167	150	154	139	143	133	122	104	116	99	104	78	95	65	92	84	74	78	62	70	66	57	51
0.80	186	171	166	153	162	146	139	122	128	113	115	92	106	77	105	96	87	89	74	82	77	67	61
1.00	199	185	173	161	176	155	152	135	137	123	123	102	113	87	115	105	96	97	83	91	85	76	68
1.25	210	198	177	167	188	161	164	149	144	131	131	111	120	96	124	114	105	105	92	100	94	85	76
1.50	218	207	179	171	197	165	174	160	149	138	136	118	125	103	130	120	113	112	99	107	101	92	82
2.00	228	219	180	174	209	168	188	176	154	146	143	128	133	115	138	129	123	121	110	117	111	102	91
2.50	235	227	180	175	217	170	198	187	158	151	148	135	139	122	143	135	130	128	118	124	118	110	97
3.00	239	233	180	176	222	171	205	196	160	154	151	140	142	128	147	139	135	132	124	129	124	116	102
4.00	245	240	179	176	230	172	215	207	163	158	155	147	148	136	152	145	141	139	132	136	131	124	109
5.00	249	245	178	176	234	172	221	215	165	161	158	151	152	142	155	149	146	144	138	141	136	130	113
10.00	256	254	176	175	244	172	236	232	168	166	163	160	160	154	161	157	155	154	150	151	148	143	124
20.00	260	259	174	174	248	171	244	242	169	168	166	164	164	161	163	161	160	159	157	157	155	150	130
Wall																							
K	8873	8773	8871	8771	7773	7771	7753	7553	7751	7551	7731	7331	7711	7111	5551	5531	5331	5511	5111	3331	3311	1111	0000
0.60	142	133	126	118	128	114	101	93	92	85	77	67	66	56	81	69	65	60	54	63	55	52	46
0.80	164	155	142	134	148	129	121	111	108	100	92	82	81	69	94	82	78	72	66	74	66	62	55
1.00	180	171	152	145	163	139	136	126	119	111	104	93	92	79	104	92	88	82	76	83	75	69	61
1.25	195	187	161	155	177	148	151	141	129	122	115	104	103	90	113	102	97	92	85	91	84	77	68
1.50	206	199	167	162	187	154	162	153	137	130	123	113	112	99	120	109	105	100	93	98	91	83	73
2.00	221	214	175	170	201	162	179	170	147	141	135	125	124	112	129	120	116	111	105	107	100	91	79
2.50	231	225	179	176	211	167	191	183	154	149	143	134	133	122	136	127	123	119	113	113	107	97	84
3.00	238	233	183	180	218	170	200	192	159	154	149	141	140	130	140	132	129	125	120	118	113	101	88
4.00	250	246	189	186	229	177	214	207	168	164	159	152	151	142	149	142	139	136	131	127	122	109	95
5.00	259	255	194	192	237	182	224	219	174	171	167	161	160	152	155	149	147	144	139	133	129	116	100
10.00	282	279	209	208	260	198	252	249	193	191	188	185	184	179	174	170	168	166	163	153	150	134	118
20.00	299	298	222	222	278	212	273	271	209	208	206	204	203	200	189	187	186	185	183	169	167	151	133
Working Pl.																							
K	8873	8773	8871	8771	7773	7771	7753	7553	7751	7551	7731	7331	7711	7111	5551	5531	5331	5511	5111	3331	3311	1111	0000
0.60	166	157	155	147	150	141	117	109	113	105	94	84	80	70	100	84	81	72	68	78	67	63	58
0.80	201	191	185	177	182	169	148	137	141	132	120	108	105	92	124	107	103	95	88	98	87	81	75
1.00	229	218	208	200	207	191	173	162	163	154	143	129	127	112	143	127	122	114	106	115	104	96	89
1.25	255	245	230	222	231	211	198	186	185	176	165	151	150	133	162	147	141	134	125	132	121	111	103
1.50	275	265	246	238	249	226	218	206	202	193	183	169	167	150	177	162	157	150	141	145	135	123	114
2.00	304	295	268	262	276	248	248	237	228	219	210	196	196	179	200	186	181	174	165	166	157	142	132
2.50	324	316	283	277	295	263	269	259	244	237	229	216	215	199	215	202	197	192	183	180	172	155	144
3.00	338	331	293	288	308	273	285	275	256	249	242	230	230	214	226	215	210	205	197	191	183	164	153
4.00	356	350	305	302	325	285	305	297	272	266	260	250	249	236	240	230	226	222	215	205	198	176	164
5.00	367	362	313	310	336	293	319	312	282	277	271	263	262	250	249	241	237	233	227	213	208	184	171
10.00	392	389	329	328	360	310	350	345	304	301	297	292	291	284	269	264	262	259	255	233	230	202	188
20.00	406	405	338	338	373	320	368	365	316	314	312	309	309	305	281	278	277	275	273	245	243	213	198

LM53 SHR C0-C180: 1.286 SHR C90-C270: 1.400 SHR Square: 1.475

Luminaire		Measur.		Lamp	
Code	05-9677-14-M1	Code	05-9677-14-M1	Code	PL ELEC23W/827 E27
Name	Aplique opal 2x23W CFL E27	Name	Aplique opal 2x23W CFL E27	Number	2
Line	- LEDS-C4	Date	15-07-2015	Position	Universal
Efficiency	34.78%	Coordinate system	CG	Total Flux	2970.00 lm
Maximum value	200.47 cd	Position	C=90.00 G=10.00	Sym. on planes	270-90

Average Luminance [cd/m ²]										
0.0°	45°	50°	55°	60°	65°	70°	75°	80°	85°	---
90.0°	3189	3067	2989	2850	2802	2701	2742	2804	3224	---
	3723	3686	3683	3674	3769	3881	4178	4587	5497	---

Flush mounted or longitudinal view												
		Illumination(lx)										
A	A	2000	1000	750	500		<300				1.15	
B	1		2000	1500	1000	750	500	<300			1.5	
C					2000		1000	500	<300		1.85	
D	2						2000	1000	500	<300	2.2	
E	3							2000	1000	500	<300	2.55



Luminaire		Measur.		Lamp	
Code	05-9677-14-M1	Code	05-9677-14-M1	Code	PL ELEC23W/827 E27
Name	Aplique opal 2x23W CFL E27	Name	Aplique opal 2x23W CFL E27	Number	2
Line	- LEDS-C4	Date	15-07-2015	Position	Universal
Efficiency	34.78%	Coordinate system	CG	Total Flux	2970.00 lm
Maximum value	200.47 cd	Position	C=90.00 G=10.00	Sym. on planes	270-90

Luminance



Luminaire		Measur.		Lamp									
Code	05-9677-14-M1	Code	05-9677-14-M1	Code	PL ELEC23W/827 E27								
Name	Aplique opal 2x23W CFL E27	Name	Aplique opal 2x23W CFL E27	Number	2								
Line	- LEDS-C4	Date	15-07-2015	Position	Universal								
Efficiency	34.78%	Coordinate system	CG	Total Flux	2970.00 lm								
Maximum value	200.47 cd	Position	C=90.00 G=10.00	Sym. on planes	270-90								
Luminance cd/m2 Table 1/3													
	C 0.00	C 10.00	C 20.00	C 30.00	C 40.00	C 50.00	C 60.00	C 70.00	C 80.00	C 90.00	C 100.00	C 110.00	C 120.00
G 0.0	3703.59	3703.59	3703.59	3703.59	3703.59	3703.59	3703.59	3703.59	3703.59	3703.59	3703.59	3703.59	3703.59
G 5.0	3664.11	3668.54	3678.12	3690.15	3694.04	3707.67	3723.29	3714.27	3708.95	3720.34	3708.95	3714.27	3723.29
G 10.0	3622.01	3627.26	3651.20	3684.19	3690.66	3708.34	3734.42	3726.77	3721.67	3737.26	3721.67	3726.77	3734.42
G 15.0	3585.27	3597.16	3631.11	3677.05	3684.86	3710.35	3748.94	3738.19	3732.15	3757.52	3732.15	3738.19	3748.94
G 20.0	3542.66	3545.72	3593.96	3665.85	3669.18	3696.52	3753.37	3734.08	3722.10	3759.27	3722.10	3734.08	3753.37
G 25.0	3486.59	3500.32	3553.81	3629.32	3636.15	3677.23	3744.50	3723.64	3713.64	3762.63	3713.64	3723.64	3744.50
G 30.0	3419.61	3423.15	3497.72	3608.93	3613.33	3649.05	3727.58	3709.02	3697.97	3748.24	3697.97	3709.02	3727.58
G 35.0	3354.61	3374.03	3450.17	3556.85	3566.18	3625.75	3722.50	3691.24	3677.25	3750.48	3677.25	3691.24	3722.50
G 40.0	3273.74	3278.29	3381.39	3534.42	3538.98	3587.38	3697.46	3675.14	3657.79	3718.60	3657.79	3675.14	3697.46
G 45.0	3189.15	3216.02	3320.72	3466.58	3477.91	3553.41	3682.82	3650.89	3634.73	3722.63	3634.73	3650.89	3682.82
G 50.0	3067.26	3085.16	3232.33	3435.72	3438.64	3500.34	3647.01	3621.55	3602.72	3686.10	3602.72	3621.55	3647.01
G 55.0	2989.43	3017.48	3151.21	3349.36	3368.91	3463.56	3628.54	3595.62	3577.71	3683.11	3577.71	3595.62	3628.54
G 60.0	2849.58	2894.48	3089.16	3345.39	3358.83	3432.15	3601.57	3588.23	3591.95	3673.73	3591.95	3588.23	3601.57
G 65.0	2801.76	2871.28	3057.97	3312.37	3357.02	3482.72	3687.43	3666.96	3653.31	3768.73	3653.31	3666.96	3687.43
G 70.0	2701.39	2789.71	3053.48	3392.83	3445.58	3554.49	3767.89	3768.10	3783.91	3880.62	3783.91	3768.10	3767.89
G 75.0	2742.34	2863.78	3128.01	3474.67	3566.17	3751.94	4030.90	4019.61	4036.60	4178.13	4036.60	4019.61	4030.90
G 80.0	2804.38	2960.85	3320.08	3770.03	3880.92	4069.10	4379.98	4407.48	4450.25	4587.50	4450.25	4407.48	4379.98
G 85.0	3224.34	3477.86	3877.00	4347.28	4519.25	4826.69	5236.58	5239.50	5281.89	5497.43	5281.89	5239.50	5236.58
G 90.0	4432.85	4880.20	5469.90	6105.38	6405.28	6752.45	7168.50	7277.98	7336.06	7500.48	7336.06	7277.98	7168.50

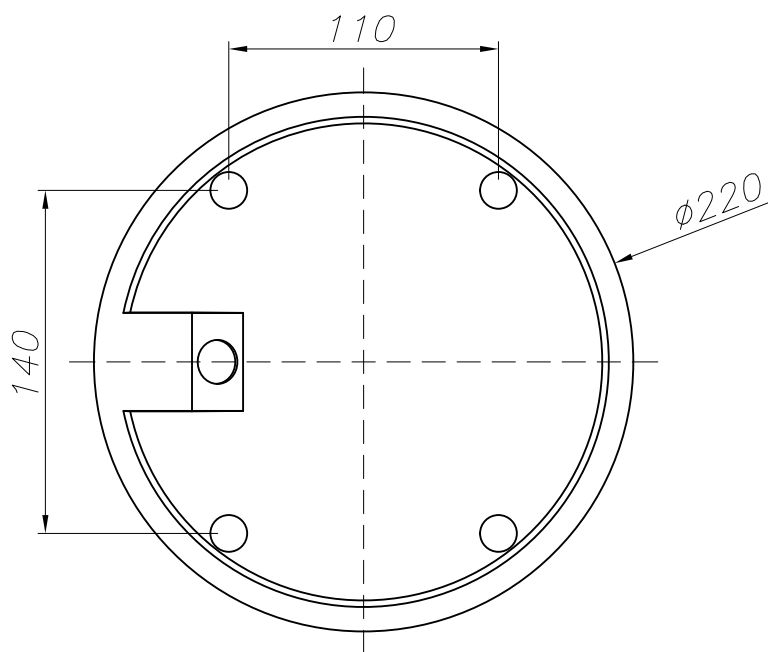
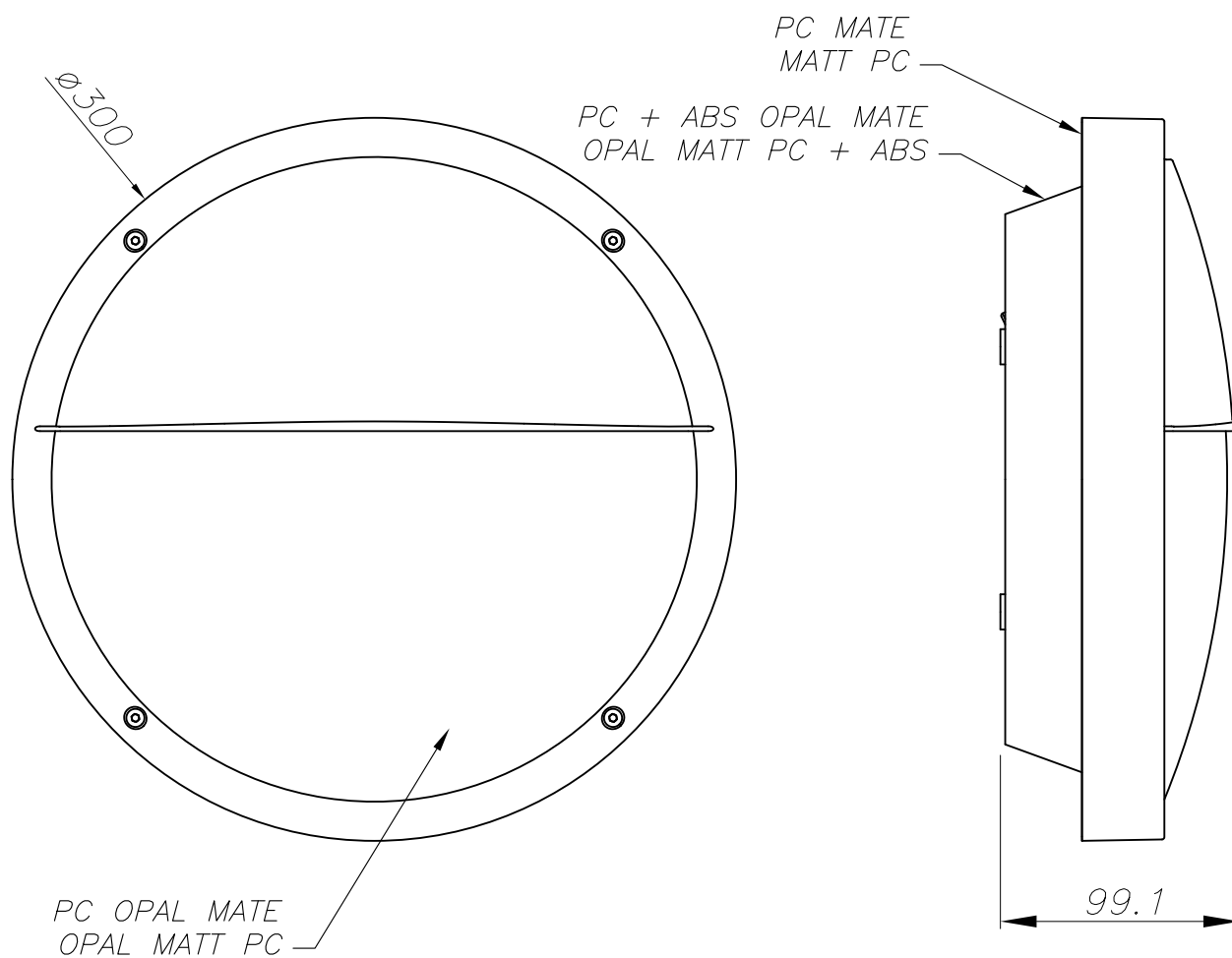
Luminaire		Measur.		Lamp									
Code	05-9677-14-M1	Code	05-9677-14-M1	Code	PL ELEC23W/827 E27								
Name	Aplique opal 2x23W CFL E27	Name	Aplique opal 2x23W CFL E27	Number	2								
Line	- LEDS-C4	Date	15-07-2015	Position	Universal								
Efficiency	34.78%	Coordinate system	CG	Total Flux	2970.00 lm								
Maximum value	200.47 cd	Position	C=90.00 G=10.00	Sym. on planes	270-90								
Luminance cd/m2 Table 2/3													
	C 130.00	C 140.00	C 150.00	C 160.00	C 170.00	C 180.00	C 190.00	C 200.00	C 210.00	C 220.00	C 230.00	C 240.00	C 250.00
G 0.0	3703.59	3703.59	3703.59	3703.59	3703.59	3703.59	3703.59	3703.59	3703.59	3703.59	3703.59	3703.59	3703.59
G 5.0	3707.67	3694.04	3690.15	3678.12	3668.54	3664.11	3653.58	3632.17	3613.60	3617.13	3618.33	3605.83	3591.76
G 10.0	3708.34	3690.66	3684.19	3651.20	3627.26	3622.01	3604.93	3565.63	3529.19	3528.60	3517.30	3489.08	3491.10
G 15.0	3710.35	3684.86	3677.05	3631.11	3597.16	3585.27	3549.61	3491.46	3445.75	3443.70	3428.55	3390.53	3380.90
G 20.0	3696.52	3669.18	3665.85	3593.96	3545.72	3542.66	3502.37	3419.79	3349.14	3344.35	3310.05	3251.31	3266.15
G 25.0	3677.23	3636.15	3629.32	3553.81	3500.32	3486.59	3428.18	3326.31	3243.64	3238.85	3206.13	3138.24	3134.32
G 30.0	3649.05	3613.33	3608.93	3497.72	3423.15	3419.61	3362.92	3235.49	3123.39	3118.53	3076.76	2982.62	2996.97
G 35.0	3625.75	3566.18	3556.85	3450.17	3374.03	3354.61	3271.31	3112.90	2982.10	2990.54	2956.42	2854.27	2841.98
G 40.0	3587.38	3538.98	3534.42	3381.39	3278.29	3273.74	3196.80	3021.01	2864.49	2860.79	2795.48	2667.49	2686.36
G 45.0	3553.41	3477.91	3466.58	3320.72	3216.02	3189.15	3077.72	2871.68	2703.54	2710.57	2655.16	2515.95	2510.23
G 50.0	3500.34	3438.64	3435.72	3232.33	3085.16	3067.26	2970.22	2753.52	2551.69	2525.56	2437.72	2290.84	2320.89
G 55.0	3463.56	3368.91	3349.36	3151.21	3017.48	2989.43	2836.54	2566.59	2353.21	2349.98	2281.17	2108.00	2105.21
G 60.0	3432.15	3358.83	3345.39	3089.16	2894.48	2849.58	2716.21	2440.85	2183.94	2142.37	2023.14	1833.23	1867.82
G 65.0	3482.72	3357.02	3312.37	3057.97	2871.28	2801.76	2590.50	2249.12	1976.69	1952.45	1833.99	1609.54	1608.51
G 70.0	3554.49	3445.58	3392.83	3053.48	2789.71	2701.39	2502.84	2148.20	1819.80	1726.36	1549.38	1305.25	1324.76
G 75.0	3751.94	3566.17	3474.67	3128.01	2863.78	2742.34	2450.42	2004.72	1634.86	1545.79	1364.22	1076.72	1047.30
G 80.0	4069.10	3880.92	3770.03	3320.08	2960.85	2804.38	2507.94	2057.70	1640.74	1439.41	1183.42	883.16	813.91
G 85.0	4826.69	4519.25	4347.28	3877.00	3477.86	3224.34	2790.28	2259.18	1813.93	1554.86	1295.49	992.82	789.21
G 90.0	6752.45	6405.28	6105.38	5469.90	4880.20	4432.85	3846.93	3252.72	2731.46	2250.41	1938.32	1716.30	1389.00

Luminaire		Measur.		Lamp	
Code	05-9677-14-M1	Code	05-9677-14-M1	Code	PL ELEC23W/827 E27
Name	Aplique opal 2x23W CFL E27	Name	Aplique opal 2x23W CFL E27	Number	2
Line	- LEDS-C4	Date	15-07-2015	Position	Universal

Efficiency	34.78%	Coordinate system	CG	Total Flux	2970.00 lm
Maximum value	200.47 cd	Position	C=90.00 G=10.00	Sym. on planes	270-90

Luminance cd/m2 Table 3/3

	C 260.00	C 270.00	C 280.00	C 290.00	C 300.00	C 310.00	C 320.00	C 330.00	C 340.00	C 350.00
G 0.0	3703.59	3703.59	3703.59	3703.59	3703.59	3703.59	3703.59	3703.59	3703.59	3703.59
G 5.0	3586.79	3586.14	3586.79	3591.76	3605.83	3618.33	3617.13	3613.60	3632.17	3653.58
G 10.0	3492.00	3483.91	3492.00	3491.10	3489.08	3517.30	3528.60	3529.19	3565.63	3604.93
G 15.0	3375.27	3357.59	3375.27	3380.90	3390.53	3428.55	3443.70	3445.75	3491.46	3549.61
G 20.0	3275.87	3240.38	3275.87	3266.15	3251.31	3310.05	3344.35	3349.14	3419.79	3502.37
G 25.0	3125.69	3092.58	3125.69	3134.32	3138.24	3206.13	3238.85	3243.64	3326.31	3428.18
G 30.0	3002.94	2966.96	3002.94	2996.97	2982.62	3076.76	3118.53	3123.39	3235.49	3362.92
G 35.0	2827.70	2789.00	2827.70	2841.98	2854.27	2956.42	2990.54	2982.10	3112.90	3271.31
G 40.0	2705.34	2644.09	2705.34	2686.36	2667.49	2795.48	2860.79	2864.49	3021.01	3196.80
G 45.0	2494.97	2428.95	2494.97	2510.23	2515.95	2655.16	2710.57	2703.54	2871.68	3077.72
G 50.0	2341.65	2256.96	2341.65	2320.89	2290.84	2437.72	2525.56	2551.69	2753.52	2970.22
G 55.0	2087.21	1997.76	2087.21	2105.21	2108.00	2281.17	2349.98	2353.21	2566.59	2836.54
G 60.0	1889.22	1775.73	1889.22	1867.82	1833.23	2023.14	2142.37	2183.94	2440.85	2716.21
G 65.0	1583.44	1456.16	1583.44	1608.51	1609.54	1833.99	1952.45	1976.69	2249.12	2590.50
G 70.0	1335.02	1195.07	1335.02	1324.76	1305.25	1549.38	1726.36	1819.80	2148.20	2502.84
G 75.0	998.66	852.06	998.66	1047.30	1076.72	1364.22	1545.79	1634.86	2004.72	2450.42
G 80.0	741.17	543.12	741.17	813.91	883.16	1183.42	1439.41	1640.74	2057.70	2507.94
G 85.0	723.46	702.42	723.46	789.21	992.82	1295.49	1554.86	1813.93	2259.18	2790.28
G 90.0	1278.00	1463.75	1278.00	1389.00	1716.30	1938.32	2250.41	2731.46	3252.72	3846.93



PLANTILLA DE INSTALACIÓN
 INSTALLATION TEMPLATE

