



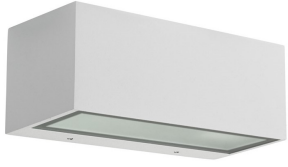
## Nemesis Aluminium 90\*220mm

Leds C4 Team

### 05-9649-14-T2

Wall fixture IP54 Nemesis Aluminium 90\*220mm E27 60W White

#### TECHNICAL FEATURES



IP54 IK04



Power (W) : Max. power 60W

Total power consumption of light (W) : 60W

Structure material : Aluminium

Structure finish : White

Diffuser material : Glass

Diffuser finish : Matt

Recommended light bulb : E27

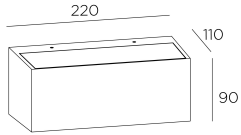
Voltage / frequency : 100-240V/50-60Hz

Warranty : 5 Years

Max. temperature : 25°C

Seaside : No

Energy efficiency : Light bulb not included



#### LUMINOTECHNIC FEATURES

Lampholder: 1 x E27

#### LOGISTICS

Net weight (kg): 1.15

Packaged weight (kg): 1.35

Packaging: 240mm x 110mm x 130mm

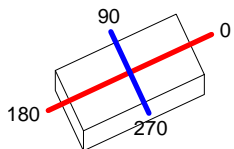


6 Un

<b>Luminaire</b>		<b>Measur.</b>		<b>Lamp</b>		
Code	05-9649	Code	05-9649	Code	PL-C13W/840/2P	
Name	Aplique dir/ind 22W TC-D	Name	Aplique dir/ind 22W TC-D	Number	1	
Line	Eulumdat	Date	27-01-2014	Position		
Efficiency	40.02%	Coordinate system	CG	Total Flux	1440.00 lm	
Maximum value	133.53 cd	Position	C=0.00 G=165.00	Asymmetrical		
Rectangular Luminaire	Length	110 mm	Width	220 mm	Height	90 mm
Rectangular Luminous Area	Length	90 mm	Width	155 mm	Height	1 mm
Horizontal Luminous Area	0.013950 m2	Emitting area on Plane 180°		0.000090 m2		
Emitting area on Plane 0°	0.000090 m2	Emitting area on Plane 270°		0.000155 m2		
Emitting area on Plane 90°	0.000155 m2	Glare area at 76°		0.003462 m2		
Symmetry Type	Asymmetrical	Maximum Gamma Angle		180		
Measurement Distance	0.00	Measurement Flux		1440.00 lm		
Operator	Asselum	Source voltage				
Temperature	25.00 °C	Source current				
Humidity	60.00 %	Photocell				
Notes						

Luminaire Lamps					
Line	Code	Name	Flux [lm]	Pow. [W]	Q.ty
Eulumdat	PL-C13W/840/2P	PL-C13W/840/2P - 22.00 W	1440.00	22.00	1
C.I.E.	55 84 97 49 40	D DIN 5040	C42		
F UTE	0.20 D + 0.20 T	B NBN	BZ 3 / 0.6 / BZ 4		

110mm x 220mm



**C Halfplanes**

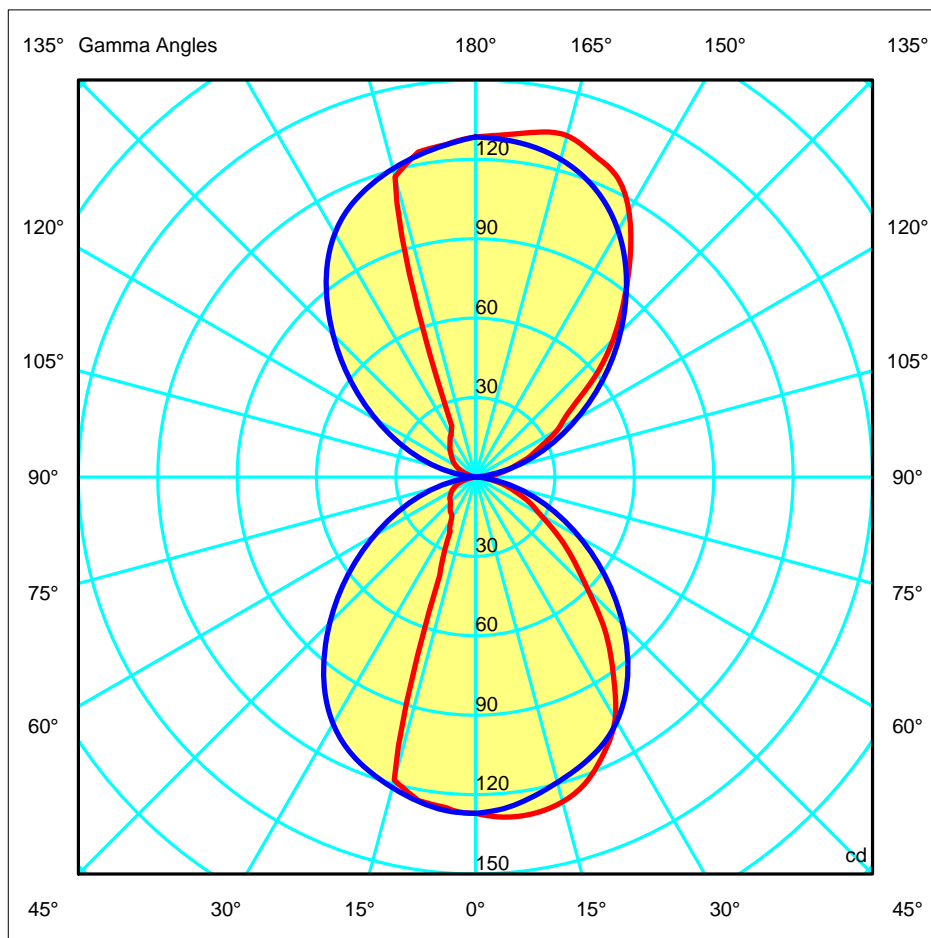
180.0 — 0.0 (Red line)

270.0 — 90.0 (Blue line)

ULOR 20.23 %

DLOR 19.79 %

RN 50.56 %

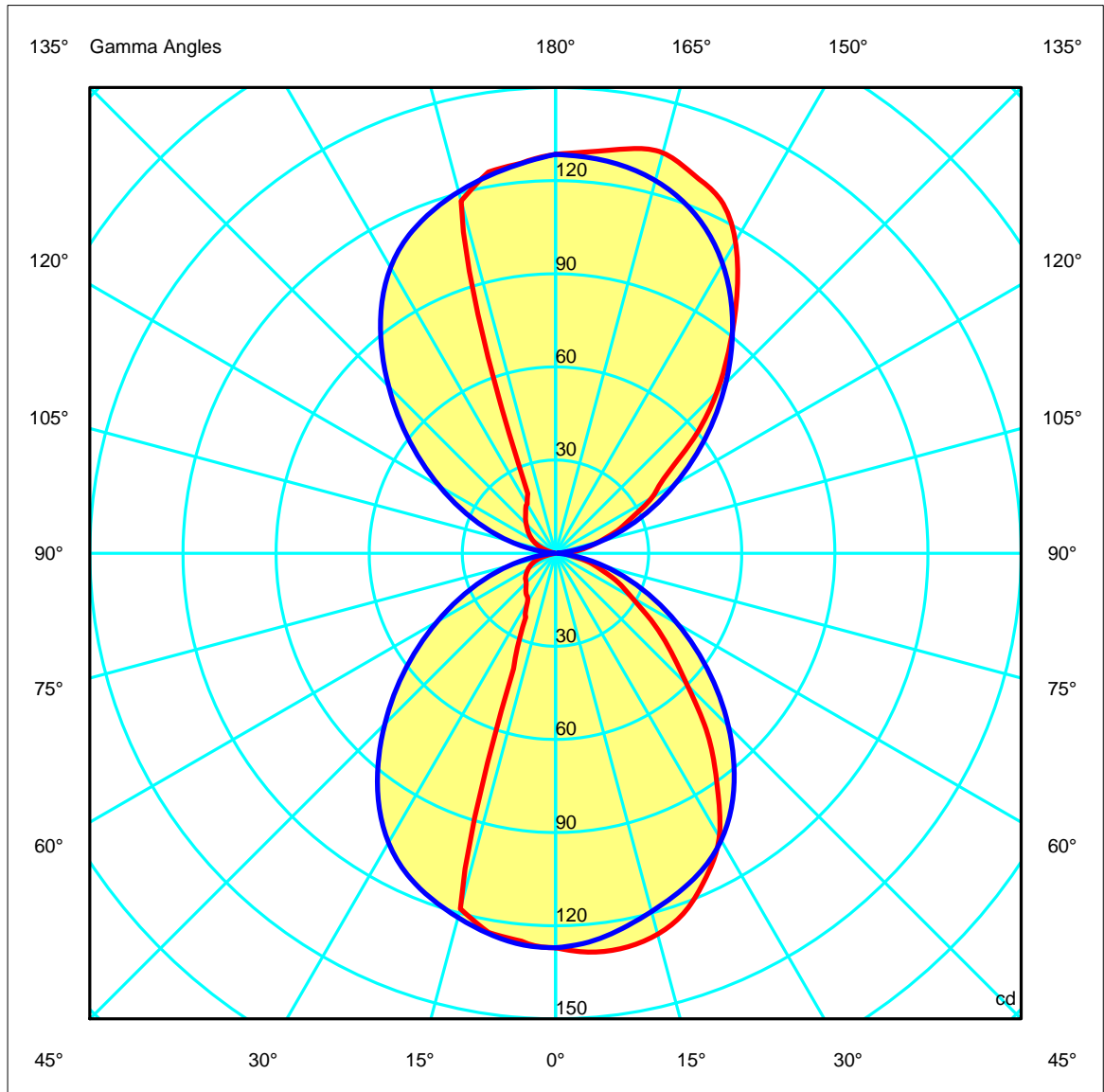
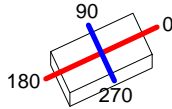


<b>Luminaire</b>		<b>Measur.</b>		<b>Lamp</b>	
Code	05-9649	Code	05-9649	Code	PL-C13W/840/2P
Name	Aplique dir/ind 22W TC-D	Name	Aplique dir/ind 22W TC-D	Number	1
Line	Eulumdat	Date	27-01-2014	Position	
Efficiency	40.02%	Coordinate system	CG	Total Flux	1440.00 lm

110mm x 220mm

C Halfplanes

180.0 ——— 0.0  
 270.0 ——— 90.0



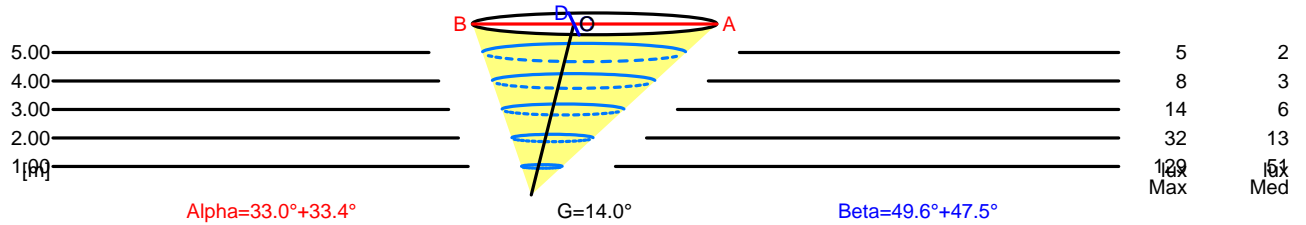
<b>Luminaire</b>	<b>Measur.</b>	<b>Lamp</b>
Code 05-9649	Code 05-9649	Code PL-C13W/840/2P
Name Aplique dir/ind 22W TC-D	Name Aplique dir/ind 22W TC-D	Number 1
Line Eulumdat	Date 27-01-2014	Position

Efficiency 40.02%	Coordinate system CG	Total Flux 1440.00 lm
-------------------	----------------------	-----------------------

Width at 50.00 % of Max Intensity

H[m]	1.00	2.00	3.00	4.00	5.00	H[m]	1.00	2.00	3.00	4.00	5.00
OA	0.84	1.67	2.51	3.35	4.18	OC	1.21	2.42	3.63	4.84	6.05
OB	0.59	1.19	1.78	2.37	2.97	OD	1.12	2.25	3.37	4.50	5.62

	Luminous Intensities [ cd ]									
	0	5	15	25	35	45	55	65	75	85
OA	128.49	129.82	133.53	125.66	101.84	73.62	43.18	27.15	14.45	5.78
OB	128.49	126.12	117.44	21.16	16.75	13.39	10.27	6.64	2.03	0.00
OC	128.49	127.83	124.32	114.92	98.68	77.53	55.26	34.14	15.66	2.43
OD	128.49	126.05	120.59	112.53	97.66	76.06	53.76	33.38	15.72	2.53



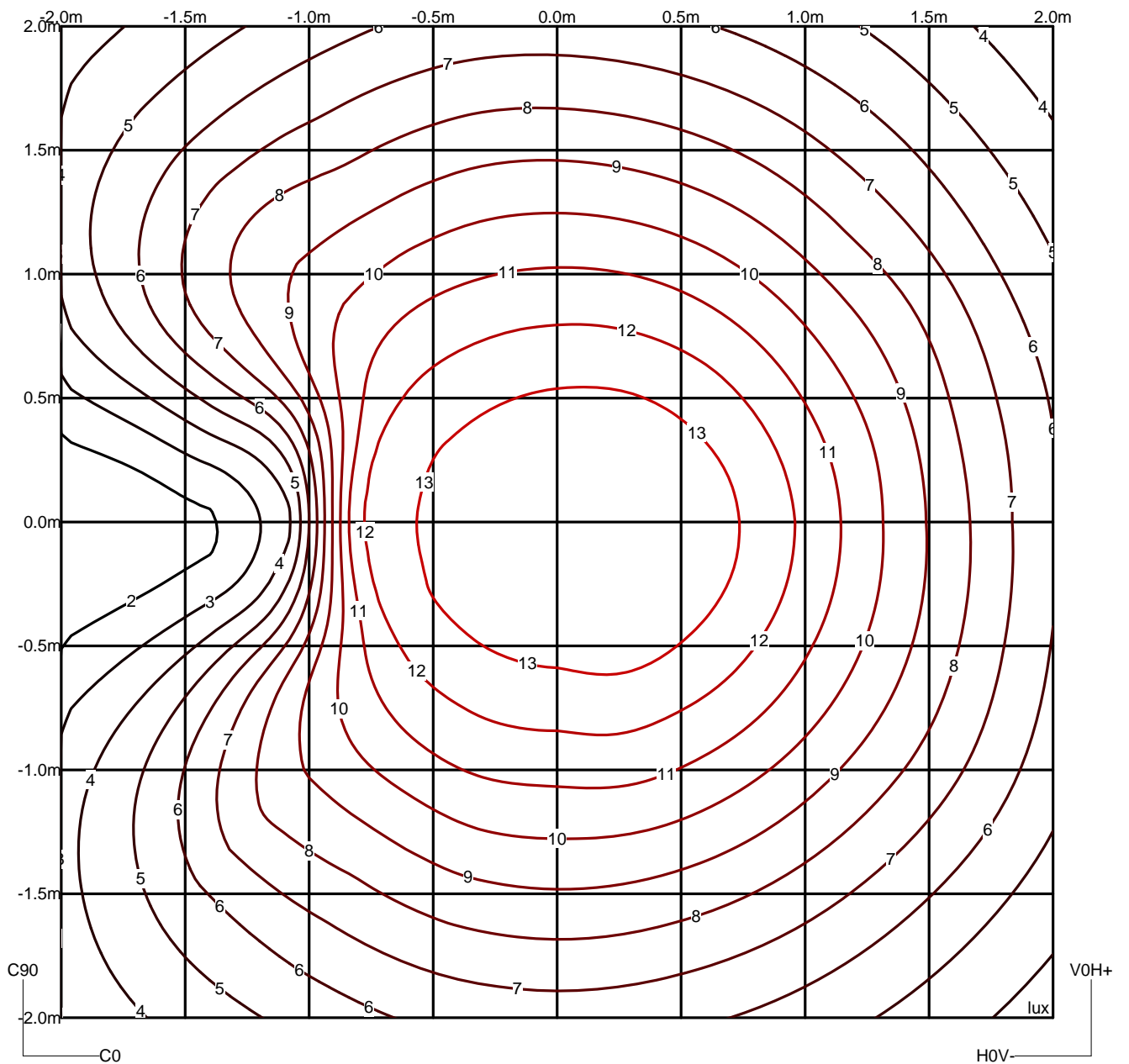
5.00	7.15	5	2	
4.00	5.72	8	3	
3.00	4.29	14	6	
2.00	2.86	32	13	
1.00	1.43	129	51	
H[m]	D[m]	Max lux	Med lux	
Alpha=33.0°+33.4°      G=14.0				

5.00	11.67	5	2	
4.00	9.34	8	3	
3.00	7.00	14	6	
2.00	4.67	32	13	
1.00	2.33	129	51	
H[m]	D[m]	Max lux	Med lux	
Beta=47.5°+49.6°      G=0.0				

<b>Luminaire</b>		<b>Measur.</b>		<b>Lamp</b>	
Code	05-9649	Code	05-9649	Code	PL-C13W/840/2P
Name	Aplique dir/ind 22W TC-D	Name	Aplique dir/ind 22W TC-D	Number	1
Line	Eulumdat	Date	27-01-2014	Position	
Efficiency	40.02%	Coordinate system	CG	Total Flux	1440.00 lm

Isolux (Floor)

Luminaire position X=0.00m Y=0.00m Z=3.00m



**Luminaire**

Code 05-9649  
 Name Applique dir/ind 22W TC-D  
 Line Eulumdat

**Measur.**

Code 05-9649  
 Name Applique dir/ind 22W TC-D  
 Date 27-01-2014

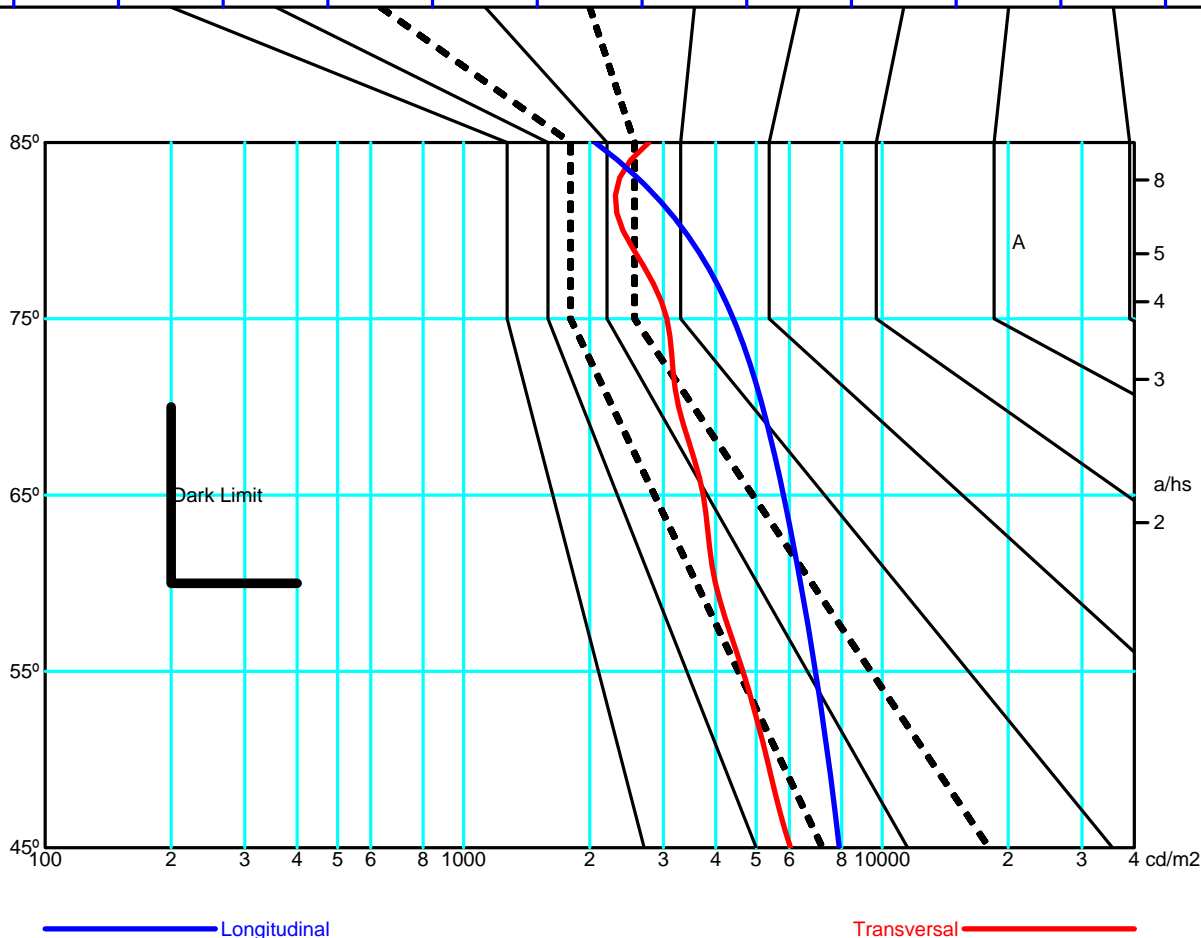
**Lamp**

Code PL-C13W/840/2P  
 Number 1  
 Position

Efficiency 40.02%      Coordinate system CG      Total Flux 1440.00 lm

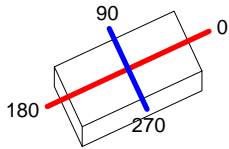
		Average Luminance [cd/m <sup>2</sup> ]									
		45°	50°	55°	60°	65°	70°	75°	80°	85°	
0.0°		6038	5307	4647	3995	3736	3261	3059	2404	2770	---
90.0°		7896	7436	6927	6382	5810	5180	4411	3363	2061	---

Flush mounted or longitudinal view												
		Illumination(lx)										
A	A	2000	1000	750	500		<300					1.15
B	1		2000	1500	1000	750	500	<300				1.5
C					2000		1000	500	<300			1.85
D	2						2000	1000	500	<300		2.2
E	3							2000	1000	500	<300	2.55



<b>Luminaire</b>		<b>Measur.</b>		<b>Lamp</b>	
Code	05-9649	Code	05-9649	Code	PL-C13W/840/2P
Name	Aplique dir/ind 22W TC-D	Name	Aplique dir/ind 22W TC-D	Number	1
Line	Eulumdat	Date	27-01-2014	Position	
Efficiency	40.02%	Coordinate system	CG	Total Flux	1440.00 lm

110mm x 220mm



C Halfplanes

180.0 ——— 0.0  
 270.0 ——— 90.0



<b>Luminaire</b>		<b>Measur.</b>		<b>Lamp</b>	
Code	05-9649	Code	05-9649	Code	PL-C13W/840/2P
Name	Aplique dir/ind 22W TC-D	Name	Aplique dir/ind 22W TC-D	Number	1
Line	Eulumdat	Date	27-01-2014	Position	
Efficiency	40.02%	Coordinate system	CG	Total Flux	1440.00 lm

**UGR**  
S = 0.250

Reflectancies										
Ceiling/Cavity	0.7	0.7	0.5	0.5	0.3	0.7	0.7	0.5	0.5	0.3
Walls	0.5	0.3	0.5	0.3	0.3	0.5	0.3	0.5	0.3	0.3
WorkingPlane	0.2	0.2	0.2	0.2	0.2	0.2	0.2	0.2	0.2	0.2
RoomDimensions	ViewedCrosswise					ViewedEndwise				
x=2H y=2H	11.3	12.1	12.2	13.0	18.7	15.9	16.7	16.8	17.6	18.7
x=2H y=3H	11.7	12.3	12.6	13.3	19.8	17.1	17.7	18.0	18.7	19.8
x=2H y=4H	11.7	12.3	12.6	13.3	20.2	17.4	18.1	18.3	19.0	20.2
x=2H y=6H	11.6	12.2	12.6	13.1	20.3	17.6	18.2	18.5	19.1	20.3
x=2H y=8H	11.6	12.1	12.5	13.1	20.3	17.6	18.2	18.6	19.1	20.3
x=2H y=12H	11.5	12.0	12.4	12.9	20.3	17.6	18.1	18.5	19.1	20.3
x=4H y=2H	12.8	13.4	13.7	14.3	18.9	16.1	16.8	17.1	17.7	18.9
x=4H y=3H	13.3	13.8	14.3	14.8	20.2	17.5	18.0	18.4	19.0	20.2
x=4H y=4H	13.4	13.9	14.4	14.8	20.7	18.0	18.4	19.0	19.4	20.7
x=4H y=6H	13.3	13.7	14.3	14.7	20.9	18.2	18.6	19.2	19.6	20.9
x=4H y=8H	13.3	13.6	14.3	14.6	20.9	18.3	18.6	19.3	19.6	20.9
x=4H y=12H	13.2	13.5	14.2	14.5	20.9	18.3	18.6	19.3	19.6	20.9
x=8H y=4H	13.9	14.3	14.9	15.3	20.6	18.0	18.3	19.0	19.3	20.6
x=8H y=6H	13.9	14.2	15.0	15.2	21.0	18.3	18.6	19.4	19.6	21.0
x=8H y=8H	13.9	14.1	14.9	15.2	21.1	18.4	18.7	19.5	19.7	21.1
x=8H y=12H	13.8	14.0	14.8	15.1	21.1	18.4	18.6	19.5	19.7	21.1
x=12H y=4H	13.9	14.3	15.0	15.3	20.6	17.9	18.2	18.9	19.2	20.6
x=12H y=6H	14.0	14.2	15.0	15.3	20.9	18.3	18.5	19.3	19.6	20.9
x=12H y=8H	14.0	14.2	15.0	15.2	21.0	18.4	18.6	19.4	19.7	21.0



<b>Luminaire</b>	<b>Measur.</b>	<b>Lamp</b>
Code 05-9649	Code 05-9649	Code PL-C13W/840/2P
Name Aplique dir/ind 22W TC-D	Name Aplique dir/ind 22W TC-D	Number 1
Line Eulumdat	Date 27-01-2014	Position

Efficiency 40.02%	Coordinate system CG	Total Flux 1440.00 lm
-------------------	----------------------	-----------------------

Total Flux=1440.00 Luminaire Flux=576.24

	0.60	0.80	1.00	1.25	1.50	2.00	2.50	3.00	4.00	5.00	10.00	20.00
RI	0.36	0.45	0.52	0.59	0.64	0.73	0.78	0.81	0.86	0.88	0.94	0.97
DRR	4	4	4	4	4	4	4	4	4	4	3	3
RC												

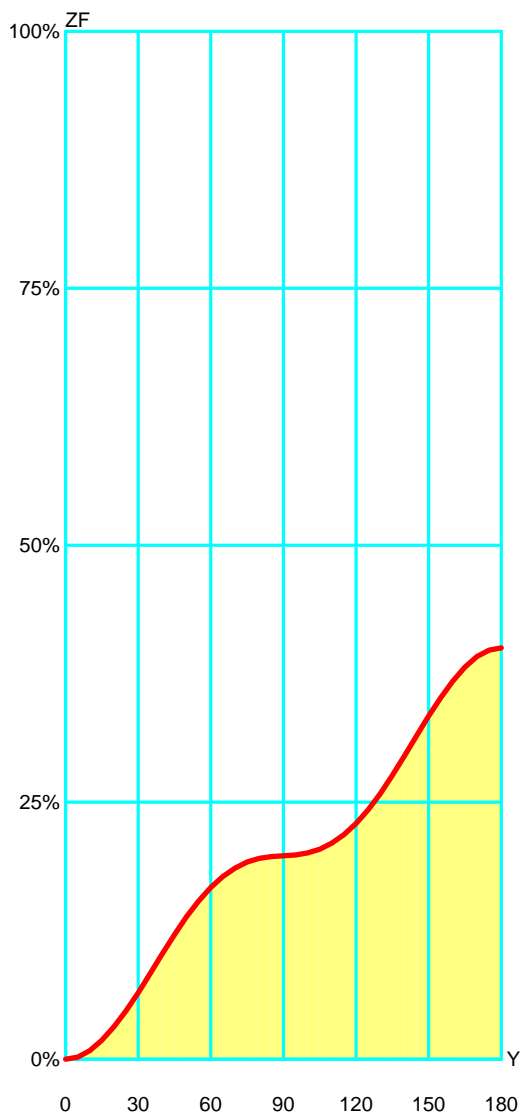
Zonal Flux per 1000 Lumen

	10	20	30	40	50	60	70	80	90	100	110	120	130	140	150	160	170	180
Y°	8	32	65	103	139	167	186	195	198	201	210	229	258	295	334	368	392	400
ZF(Y)																		

CIE Flux Codes

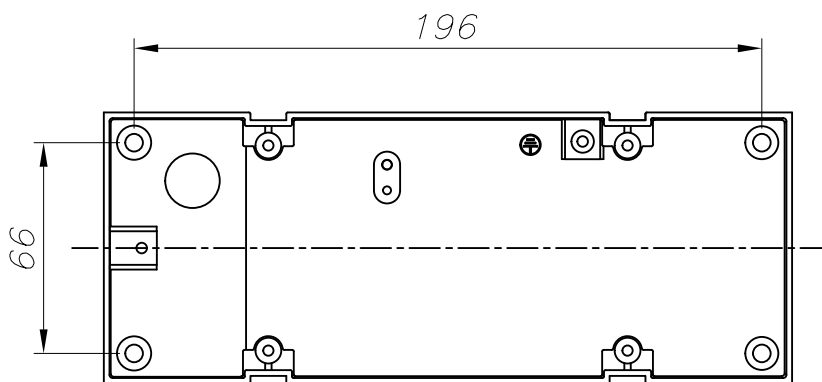
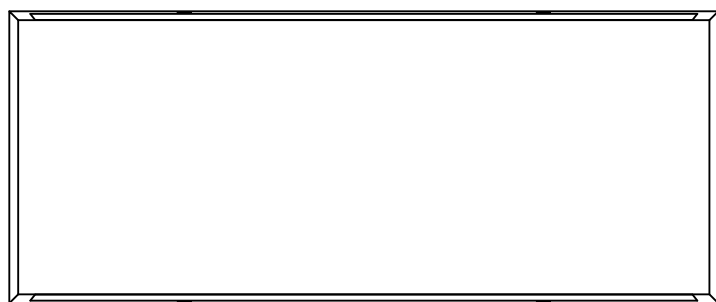
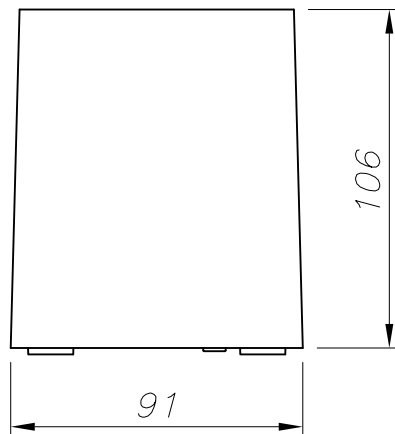
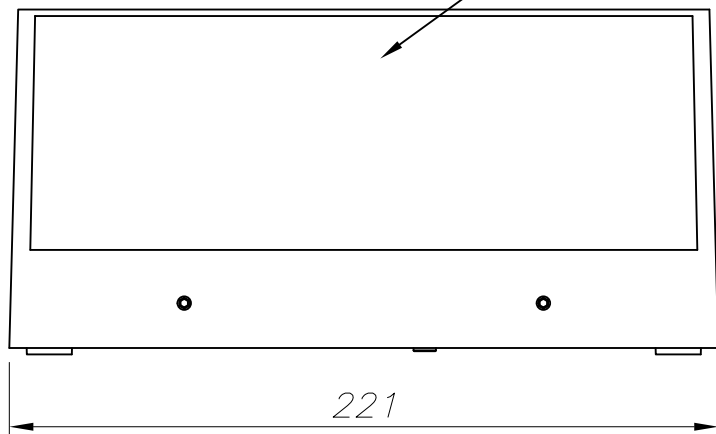
55 84 97 49 40

C.I.E.	4/4/4/4/4/4/4/4/3/3	LOR	40.01690 %
D DIN 5040	C42	ULOR	20.23077 %
F UTE	0.20 D + 0.20 T	DLOR	19.78614 %
B NBN	BZ 3 / 0.6 / BZ 4	UFF	50.55555 %
RN	50.55555 %	DFF	49.44445 %
BLF	1.0	FFR	102.24718 %



Zonal Flux				
Gamma °	Flux	Sum lm	Flux [%]	Sum [%]
0°	0.00	0.00	0.00%	0.00%
5°	2.11	2.11	0.53%	0.53%
10°	6.26	8.36	1.56%	2.09%
15°	10.18	18.54	2.54%	4.63%
20°	13.24	31.78	3.31%	7.94%
25°	15.42	47.20	3.85%	11.79%
30°	17.47	64.67	4.37%	16.16%
35°	18.85	83.52	4.71%	20.87%
40°	19.20	102.72	4.80%	25.67%
45°	18.64	121.37	4.66%	30.33%
50°	17.31	138.68	4.33%	34.65%
55°	15.36	154.04	3.84%	38.49%
60°	13.06	167.10	3.26%	41.76%
65°	10.65	177.76	2.66%	44.42%
70°	8.22	185.98	2.05%	46.47%
75°	5.82	191.80	1.45%	47.93%
80°	3.57	195.36	0.89%	48.82%
85°	1.75	197.11	0.44%	49.26%
90°	0.75	197.86	0.19%	49.44%
95°	0.84	198.71	0.21%	49.66%
100°	1.93	200.64	0.48%	50.14%
105°	3.71	204.35	0.93%	51.06%
110°	5.89	210.24	1.47%	52.54%
115°	8.30	218.54	2.07%	54.61%
120°	10.81	229.34	2.70%	57.31%
125°	13.31	242.65	3.33%	60.64%
130°	15.69	258.34	3.92%	64.56%
135°	17.72	276.06	4.43%	68.99%
140°	19.06	295.12	4.76%	73.75%
145°	19.56	314.68	4.89%	78.64%
150°	19.21	333.88	4.80%	83.44%
155°	17.94	351.82	4.48%	87.92%
160°	16.01	367.83	4.00%	91.92%
165°	13.62	381.44	3.40%	95.32%
170°	10.30	391.75	2.57%	97.90%
175°	6.30	398.05	1.57%	99.47%
180°	2.12	400.17	0.53%	100.00%

CRISTAL ARENADO INTERIOR  
SANDFROSTED GLASS INSIDE



PLANTILLA DE INSTALACIÓN  
INSTALLATION TEMPLATE

