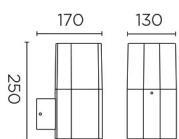


MANDELA

05-9605-Z5-M1

Wall fixture IP44 MANDELA E27 23W Urban grey 942lm



TECHNICAL FEATURES

IP44



Power (W) : Max. power 23W

Raw lumens : 942

Raw lm/W : 41

Structure material : Aluminium

Structure finish : Urban grey

Diffuser material : Polycarbonate

Diffuser finish : Opal

Recommended light bulb : E27

Voltage / frequency : 100-240VAC/50-60Hz

Warranty : 2 Years

Max. temperature : 25°C

Seaside : No

Energy efficiency : Light bulb not included

LUMINOTECHNIC FEATURES

Lampholder: 1 x E27

LOGISTICS

Net weight (kg): 0.82

Packaged weight (kg): 1.04

Packaging: 180mm x 130mm x 260mm

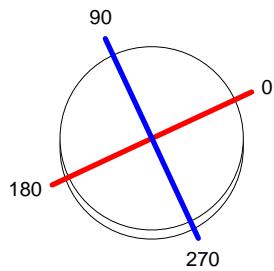


12 Un

Luminaire		Measurem.		Lamp			
Code	05-9605-Z5-M1	Code	05-9605-Z5-M1	Code	PL ELEC23W/827 E27		
Name	Aplique MANDELA 1x23W E27 CFL	Name	Aplique MANDELA 1x23W E27 CFL	Number	1		
Line	- LEDS-C4	Date	18-09-2015	Position	Universal		
Luminaire Flux	942.16 lm	Luminaire Power	23.00 W	Efficacy	40.96 lm/W	Efficiency	63.45%
Lamps Flux	1485.00 lm	Maximum value	96.33 cd	Position	C=30.00 G=115.00	CG Asymmetrical	
Round Luminaire		Diam.	120 mm	Height	250 mm		
Round Luminous Area		Diam.	120 mm	Height	120 mm		
Horizontal Luminous Area	0.011310 m2			Emitting area on Plane 180°	0.014400 m2		
Emitting area on Plane 0°	0.014400 m2			Emitting area on Plane 270°	0.014400 m2		
Emitting area on Plane 90°	0.014400 m2			Glare area at 76°	0.016708 m2		
Coordinate system	CG			Symmetry Type	Asymmetrical		
Date	18-09-2015			Maximum Gamma Angle	180		
Measurement Distance	6.44			Measurement Flux	1451.00 lm		
Operator	Asselum T2			Source voltage	230.00 V		
Temperature	24.00 °C			Source current	Prc		
Humidity	47.00 %			Photocell			
Notes							

Line	Code	Luminaire Lamps	Flux [lm]	Pow. [W]	Q.ty
PHILIPS 2005 ILCOS FBT,G,C,FSQ	PL ELEC23W/827 E27	MASTER PL electr 23W/827 E27	1485.00	23.00	1
C.I.E.	11 35 66 42 63	D DIN 5040	C12		
F UTE	--	B NBN	BZ 10		

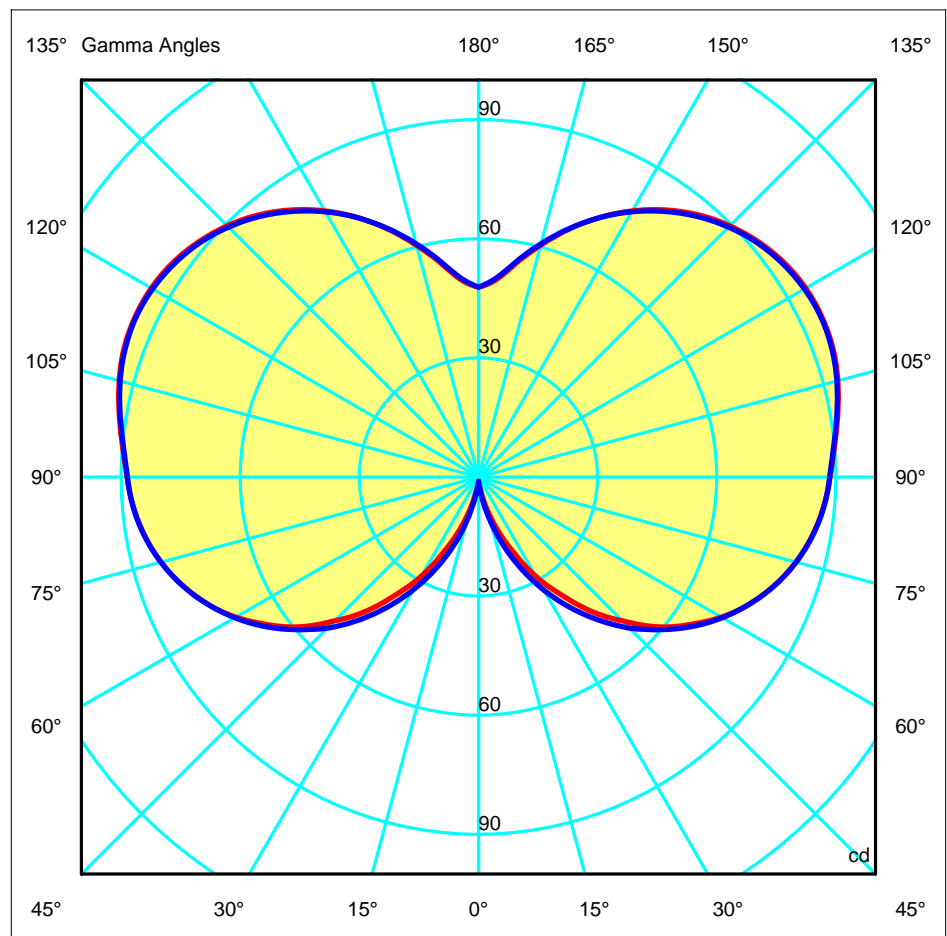
Diam=120mm



C Halfplanes

180.0 — 0.0
270.0 — 90.0

ULOR 36.96 %
DLOR 26.48 %
RN 58.26 %



Luminaire	Code 05-9605-Z5-M1	Measur.	Code 05-9605-Z5-M1	Lamp	Code PL ELEC23W/827 E27
Name	Aplique MANDELA 1x23W E27 CFL	Name	Aplique MANDELA 1x23W E27 CFL	Number	1
Line	- LEDS-C4	Date	18-09-2015	Position	Universal

Luminaire Flux	942.16 lm	Luminaire Power	23.00 W	Efficacy	40.96 lm/W	Efficiency	63.45%
-----------------------	-----------	------------------------	---------	-----------------	------------	-------------------	--------

Lamps Flux	1485.00 lm	Maximum value	96.33 cd	Position	C=30.00 G=115.00	CG	Asymmetrical
-------------------	------------	----------------------	----------	-----------------	------------------	-----------	--------------

Luminous Intensity Table cd Table 1/1

	C 0.00	C 15.00	C 30.00	C 45.00	C 60.00	C 75.00	C 90.00	C 105.00	C 120.00	C 135.00	C 150.00	C 165.00
G 0.0	1.10	1.10	1.10	1.10	1.10	1.10	1.10	1.10	1.10	1.10	1.10	1.10
G 5.0	2.12	1.98	2.19	1.86	2.28	1.83	2.56	1.83	2.28	1.86	2.19	1.98
G 10.0	4.46	4.63	5.23	5.35	5.73	5.52	5.88	5.52	5.73	5.35	5.23	4.63
G 15.0	8.64	8.24	9.92	10.35	11.66	11.34	11.55	11.34	11.66	10.35	9.92	8.24
G 20.0	14.56	14.66	15.99	16.43	17.74	17.66	18.32	17.66	17.74	16.43	15.99	14.66
G 25.0	21.09	20.77	22.72	23.36	24.71	25.04	25.58	25.04	24.71	23.36	22.72	20.77
G 30.0	28.95	28.59	30.17	30.70	31.75	32.03	32.76	32.03	31.75	30.70	30.17	28.59
G 35.0	36.12	35.64	37.68	38.12	39.24	39.49	40.12	39.49	39.24	38.12	37.68	35.64
G 40.0	44.20	43.41	45.43	45.40	46.08	46.12	46.98	46.12	46.08	45.40	45.43	43.41
G 45.0	51.24	50.14	52.77	52.14	53.19	53.05	53.82	53.05	53.19	52.14	52.77	50.14
G 50.0	58.74	57.19	59.54	58.90	59.37	59.03	59.77	59.03	59.37	58.90	59.54	57.19
G 55.0	64.79	63.16	65.88	64.71	65.35	64.94	65.69	64.94	65.35	64.71	65.88	63.16
G 60.0	70.61	69.06	71.76	70.28	70.76	69.96	70.86	69.96	70.76	70.28	71.76	69.06
G 65.0	75.48	73.37	76.38	74.96	75.70	74.76	75.51	74.76	75.70	74.96	76.38	73.37
G 70.0	79.45	77.53	80.74	78.99	79.75	78.63	79.50	78.63	79.75	78.99	80.74	77.53
G 75.0	82.84	80.47	83.95	82.10	83.06	82.12	82.81	82.12	83.06	82.10	83.95	80.47
G 80.0	85.31	83.08	86.57	84.77	85.75	84.57	85.40	84.57	85.75	84.77	86.57	83.08
G 85.0	87.24	84.83	88.21	86.52	87.49	86.44	87.30	86.44	87.49	86.52	88.21	84.83
G 90.0	88.52	86.40	89.54	87.80	88.60	87.69	88.41	87.69	88.60	87.80	89.54	86.40
G 95.0	90.02	87.67	91.10	89.27	90.14	89.26	89.80	89.26	90.14	89.27	91.10	87.67
G100.0	91.88	89.51	93.05	91.08	92.04	91.00	91.65	91.00	92.04	91.08	93.05	89.51
G105.0	93.68	91.13	94.76	92.72	93.77	92.81	93.45	92.81	93.77	92.72	94.76	91.13
G110.0	94.96	92.37	95.91	93.84	95.05	94.04	94.65	94.04	95.05	93.84	95.91	92.37
G115.0	95.42	92.80	96.33	94.27	95.59	94.49	95.19	94.49	95.59	94.27	96.33	92.80
G120.0	95.14	92.51	96.06	93.94	95.20	94.21	94.76	94.21	95.20	93.94	96.06	92.51
G125.0	94.04	91.51	94.85	92.87	94.06	93.01	93.57	93.01	94.06	92.87	94.85	91.51
G130.0	92.08	89.64	92.85	90.88	92.18	91.23	91.73	91.23	92.18	90.88	92.85	89.64
G135.0	89.49	87.11	90.11	88.28	89.49	88.67	89.00	88.67	89.49	88.28	90.11	87.11
G140.0	86.17	83.66	86.63	84.84	86.13	85.41	85.70	85.41	86.13	84.84	86.63	83.66
G145.0	82.11	79.97	82.55	80.89	82.09	81.35	81.64	81.35	82.09	80.89	82.55	79.97
G150.0	77.41	75.42	77.79	76.35	77.40	76.88	77.15	76.88	77.40	76.35	77.79	75.42
G155.0	72.07	70.33	72.43	71.17	72.15	71.79	72.05	71.79	72.15	71.17	72.43	70.33
G160.0	66.41	64.68	66.65	65.55	66.55	66.31	66.55	66.31	66.55	65.55	66.65	64.68
G165.0	60.45	59.02	60.65	59.90	60.66	60.63	60.85	60.63	60.66	59.90	60.65	59.02
G170.0	54.71	53.46	54.85	54.25	55.03	55.06	55.13	55.06	55.03	54.25	54.85	53.46
G175.0	49.81	49.19	50.11	50.00	50.24	50.24	50.23	50.24	50.24	50.00	50.11	49.19
G180.0	47.84	47.84	47.84	47.84	47.84	47.84	47.84	47.84	47.84	47.84	47.84	47.84

	C 180.00	C 195.00	C 210.00	C 225.00	C 240.00	C 255.00	C 270.00	C 285.00	C 300.00	C 315.00	C 330.00	C 345.00
G 0.0	1.10	1.10	1.10	1.10	1.10	1.10	1.10	1.10	1.10	1.10	1.10	1.10
G 5.0	2.12	1.98	2.19	1.86	2.28	1.83	2.56	1.83	2.28	1.86	2.19	1.98
G 10.0	4.46	4.63	5.23	5.35	5.73	5.52	5.88	5.52	5.73	5.35	5.23	4.63
G 15.0	8.64	8.24	9.92	10.35	11.66	11.34	11.55	11.34	11.66	10.35	9.92	8.24
G 20.0	14.56	14.66	15.99	16.43	17.74	17.66	18.32	17.66	17.74	16.43	15.99	14.66
G 25.0	21.09	20.77	22.72	23.36	24.71	25.04	25.58	25.04	24.71	23.36	22.72	20.77
G 30.0	28.95	28.59	30.17	30.70	31.75	32.03	32.76	32.03	31.75	30.70	30.17	28.59
G 35.0	36.12	35.64	37.68	38.12	39.24	39.49	40.12	39.49	39.24	38.12	37.68	35.64
G 40.0	44.20	43.41	45.43	45.40	46.08	46.12	46.98	46.12	46.08	45.40	45.43	43.41
G 45.0	51.24	50.14	52.77	52.14	53.19	53.05	53.82	53.05	53.19	52.14	52.77	50.14
G 50.0	58.74	57.19	59.54	58.90	59.37	59.03	59.77	59.03	59.37	58.90	59.54	57.19
G 55.0	64.79	63.16	65.88	64.71	65.35	64.94	65.69	64.94	65.35	64.71	65.88	63.16
G 60.0	70.61	69.06	71.76	70.28	70.76	69.96	70.86	69.96	70.76	70.28	71.76	69.06
G 65.0	75.48	73.37	76.38	74.96	75.70	74.76	75.51	74.76	75.70	74.96	76.38	73.37
G 70.0	79.45	77.53	80.74	78.99	79.75	78.63	79.50	78.63	79.75	78.99	80.74	77.53
G 75.0	82.84	80.47	83.95	82.10	83.06	82.12	82.81	82.12	83.06	82.10	83.95	80.47
G 80.0	85.31	83.08	86.57	84.77	85.75	84.57	85.40	84.57	85.75	84.77	86.57	83.08
G 85.0	87.24	84.83	88.21	86.52	87.49	86.44	87.30	86.44	87.49	86.52	88.21	84.83
G 90.0	88.52	86.40	89.54	87.80	88.60	87.69	88.41	87.69	88.60	87.80	89.54	86.40
G 95.0	90.02	87.67	91.10	89.27	90.14	89.26	89.80	89.26	90.14	89.27	91.10	87.67
G100.0	91.88	89.51	93.05	91.08	92.04	91.00	91.65	91.00	92.04	91.08	93.05	89.51
G105.0	93.68	91.13	94.76	92.72	93.77	92.81	93.45	92.81	93.77	92.72	94.76	91.13
G110.0	94.96	92.37	95.91	93.84	95.05	94.04	94.65	94.04	95.05	93.84	95.91	92.37
G115.0	95.42	92.80	96.33	94.27	95.59	94.49	95.19	94.49	95.59	94.27	96.33	92.80
G120.0	95.14	92.51	96.06	93.94	95.20	94.21	94.76	94.21	95.20	93.94	96.06	92.51
G125.0	94.04	91.51	94.85	92.87	94.06	93.01	93.57	93.01	94.06	92.87	94.85	91.51
G130.0	92.08	89.64	92.85	90.88	92.18	91.23	91.73	91.23	92.18	90.88	92.85	89.64
G135.0	89.49	87.11	90.11	88.28	89.49	88.67	89.00	88.67	89.49	88.28	90.11	87.11
G140.0	86.17	83.66	86.63	84.84	86.13	85.41	85.70	85.41	86.13	84.84	86.63	83.66
G145.0	82.11	79.97	82.55	80.89	82.09	81.35	81.64	81.35	82.09	80.89	82.55	79.97
G150.0	77.41	75.42	77.79	76.35	77.40	76.88	77.15	76.88	77.40	76.35	77.79	75.42
G155.0	72.07	70.33	72.43	71.17	72.15	71.79	72.05	71.79	72.15	71.17	72.43	70.33
G160.0	66.41	64.68	66.65	65.55	66.55	66.31	66.55	66.31	66.55	65.55	66.65	64.68
G165.0	60.45	59.02	60.65	59.90	60.66	60.63	60.85	60.63	60.66	59.90	60.65	59.02
G170.0	54.71	53.46	54.85	54.25	55.03	55.06	55.13	55.06	55.03	54.25	54.85	53.46
G175.0	49.81	49.19	50.11	50.00	50.24	50.24	50.23	50.24	50.24	50.00	50.11	49.19
G180.0	47.84	47.84	47.84	47.84	47.84	47.84	47.84	47.84	47.84	47.84	47.84	47.84

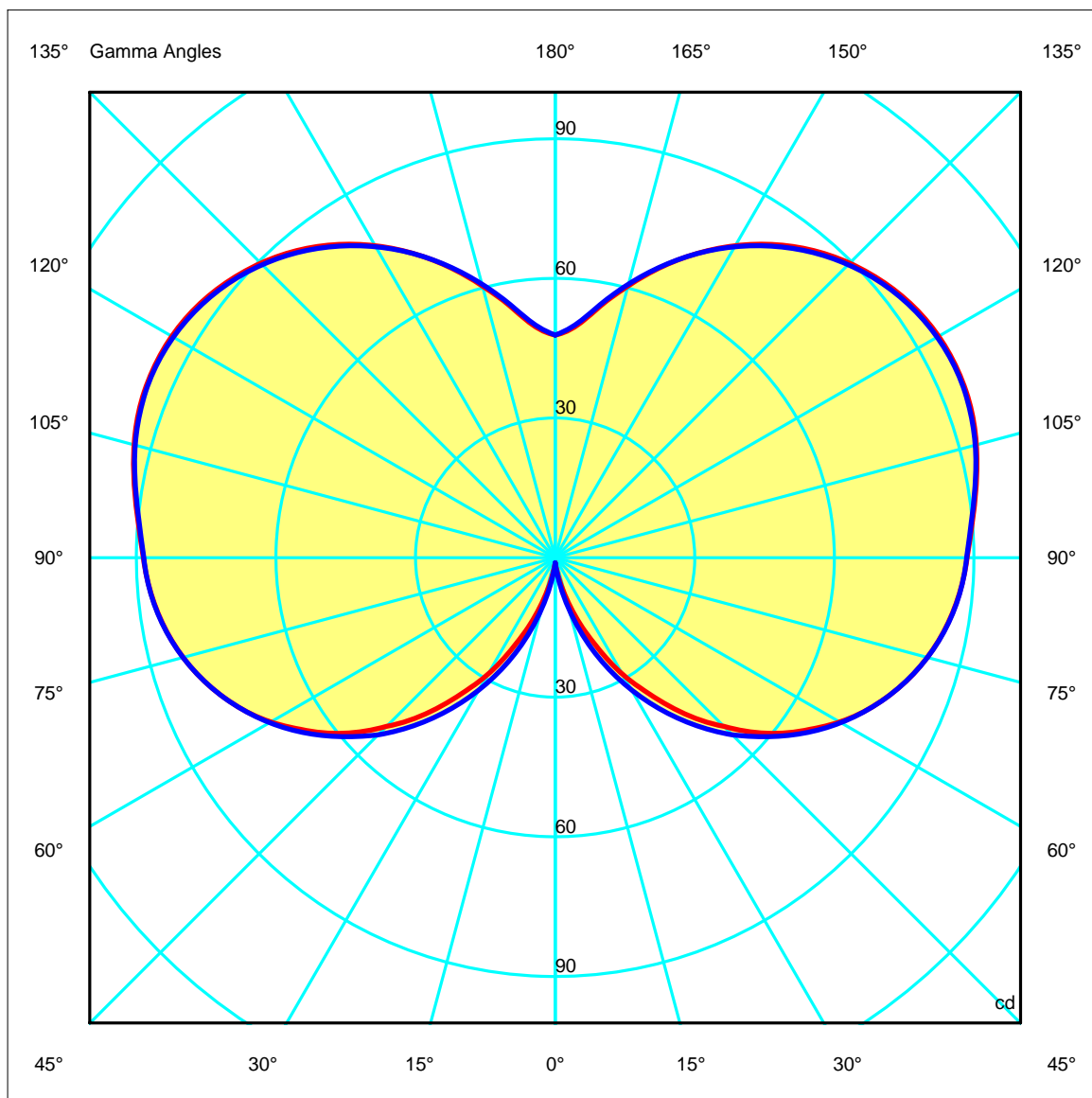
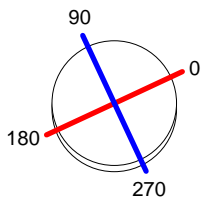
Luminaire		Measurem.		Lamp			
Code	05-9605-Z5-M1	Code	05-9605-Z5-M1	Code	PL ELEC23W/827 E27		
Name	Aplique MANDELA 1x23W E27 CFL	Name	Aplique MANDELA 1x23W E27 CFL	Number	1		
Line	- LEDS-C4	Date	18-09-2015	Position	Universal		
Luminaire Flux	942.16 lm	Luminaire Power	23.00 W	Efficacy	40.96 lm/W	Efficiency	63.45%
Lamps Flux	1485.00 lm	Maximum value	96.33 cd	Position	C=30.00 G=115.00	CG	Asymmetrical

Diam=120mm

C Halfplanes

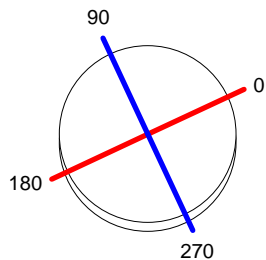
180.0 ——— 0.0

270.0 ——— 90.0



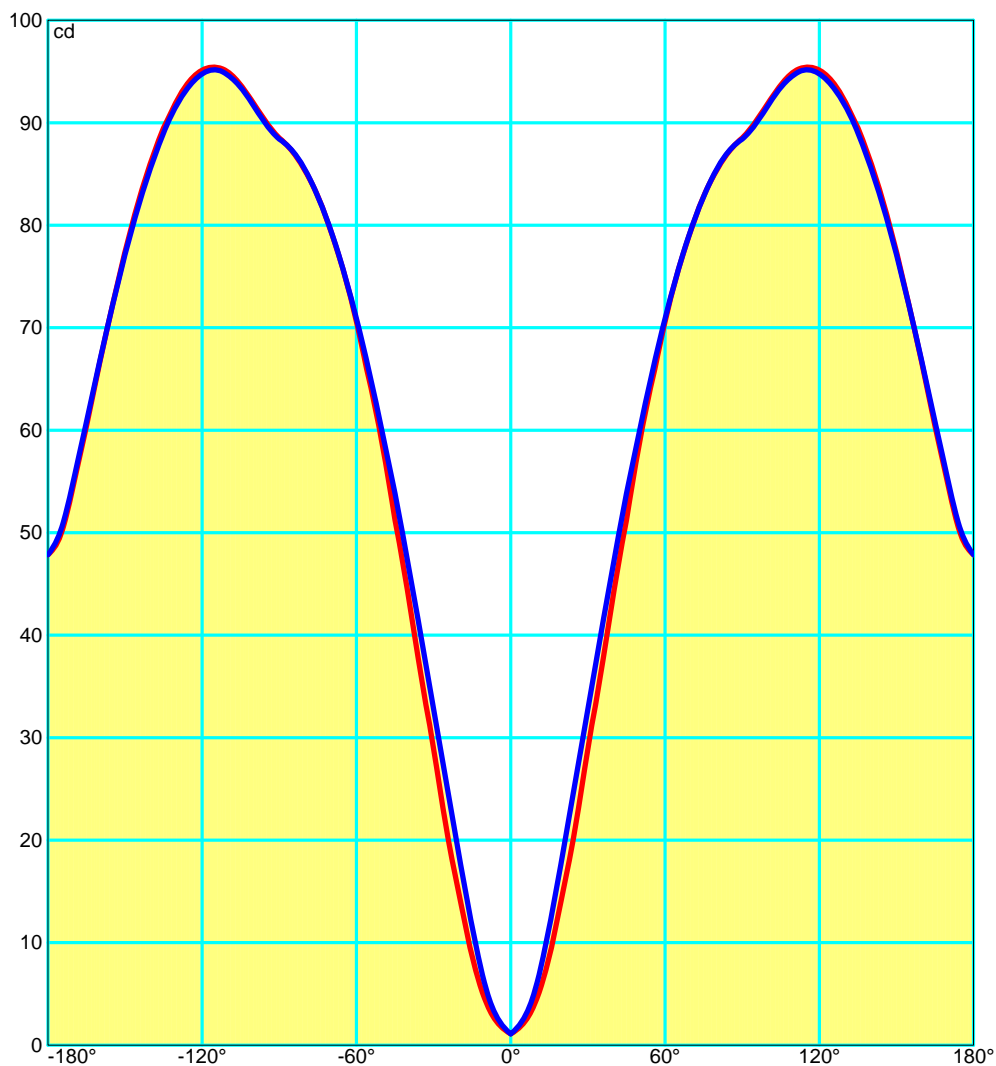
Luminaire		Measurem.		Lamp			
Code	05-9605-Z5-M1	Code	05-9605-Z5-M1	Code	PL ELEC23W/827 E27		
Name	Aplique MANDELA 1x23W E27 CFL	Name	Aplique MANDELA 1x23W E27 CFL	Number	1		
Line	- LEDS-C4	Date	18-09-2015	Position	Universal		
Luminaire Flux	942.16 lm	Luminaire Power	23.00 W	Efficacy	40.96 lm/W	Efficiency	63.45%
Lamps Flux	1485.00 lm	Maximum value	96.33 cd	Position	C=30.00 G=115.00	CG	Asymmetrical

Diam=120mm



C Halfplanes

180.0 ————— 0.0
 270.0 ————— 90.0



Luminaire		Measur.		Lamp			
Code	05-9605-Z5-M1	Code	05-9605-Z5-M1	Code	PL ELEC23W/827 E27		
Name	Aplique MANDELA 1x23W E27 CFL	Name	Aplique MANDELA 1x23W E27 CFL	Number	1		
Line	- LEDS-C4	Date	18-09-2015	Position	Universal		
Luminaire Flux	942.16 lm	Luminaire Power	23.00 W	Efficacy	40.96 lm/W	Efficiency	63.45%
Lamps Flux	1485.00 lm	Maximum value	96.33 cd	Position	C=30.00 G=115.00	CG	Asymmetrical

UGR
S = 0.250

Reflectancies										
Ceiling/Cavity	0.7	0.7	0.5	0.5	0.3	0.7	0.7	0.5	0.5	0.3
Walls	0.5	0.3	0.5	0.3	0.3	0.5	0.3	0.5	0.3	0.3
WorkingPlane	0.2	0.2	0.2	0.2	0.2	0.2	0.2	0.2	0.2	0.2
RoomDimensions	ViewedCrosswise					ViewedEndwise				
x=2H y=2H	12.7	13.7	13.7	14.6	16.0	12.8	13.7	13.8	14.7	16.0
x=2H y=3H	15.9	16.8	16.9	17.8	19.2	16.0	16.8	17.0	17.8	19.2
x=2H y=4H	17.5	18.3	18.5	19.3	20.8	17.6	18.4	18.6	19.4	20.8
x=2H y=6H	19.1	19.9	20.1	20.9	22.3	19.2	19.9	20.2	20.9	22.3
x=2H y=8H	19.9	20.6	20.9	21.7	23.1	20.0	20.7	21.0	21.7	23.1
x=2H y=12H	20.7	21.4	21.7	22.4	23.9	20.7	21.4	21.8	22.5	23.9
x=4H y=2H	13.9	14.7	14.9	15.7	17.1	14.0	14.7	15.0	15.8	17.1
x=4H y=3H	17.2	17.8	18.2	18.9	20.3	17.2	17.9	18.2	18.9	20.3
x=4H y=4H	18.9	19.5	19.9	20.5	22.0	18.9	19.5	19.9	20.5	22.0
x=4H y=6H	20.5	21.1	21.6	22.2	23.6	20.6	21.2	21.7	22.2	23.6
x=4H y=8H	21.4	21.9	22.4	23.0	24.5	21.5	22.0	22.5	23.0	24.5
x=4H y=12H	22.2	22.7	23.3	23.8	25.3	22.3	22.8	23.4	23.8	25.3
x=8H y=4H	19.6	20.1	20.6	21.1	22.6	19.6	20.1	20.6	21.2	22.6
x=8H y=6H	21.5	21.9	22.5	23.0	24.5	21.5	21.9	22.6	23.0	24.5
x=8H y=8H	22.5	22.8	23.5	23.9	25.4	22.5	22.9	23.6	24.0	25.4
x=8H y=12H	23.4	23.8	24.5	24.9	26.4	23.5	23.8	24.6	24.9	26.4
x=12H y=4H	19.7	20.2	20.8	21.2	22.7	19.7	20.2	20.8	21.3	22.7
x=12H y=6H	21.7	22.1	22.8	23.2	24.7	21.7	22.1	22.8	23.2	24.7
x=12H y=8H	22.8	23.1	23.9	24.2	25.8	22.8	23.2	23.9	24.3	25.8

Luminaire		Measur.		Lamp			
Code	05-9605-Z5-M1	Code	05-9605-Z5-M1	Code	PL ELEC23W/827 E27		
Name	Aplique MANDELA 1x23W E27 CFL	Name	Aplique MANDELA 1x23W E27 CFL	Number	1		
Line	- LEDS-C4	Date	18-09-2015	Position	Universal		
Luminaire Flux	942.16 lm	Luminaire Power	23.00 W	Efficacy	40.96 lm/W	Efficiency	63.45%
Lamps Flux	1485.00 lm	Maximum value	96.33 cd	Position	C=30.00 G=115.00	CG	Asymmetrical

Total Flux=1485.00 Luminaire Flux=942.16

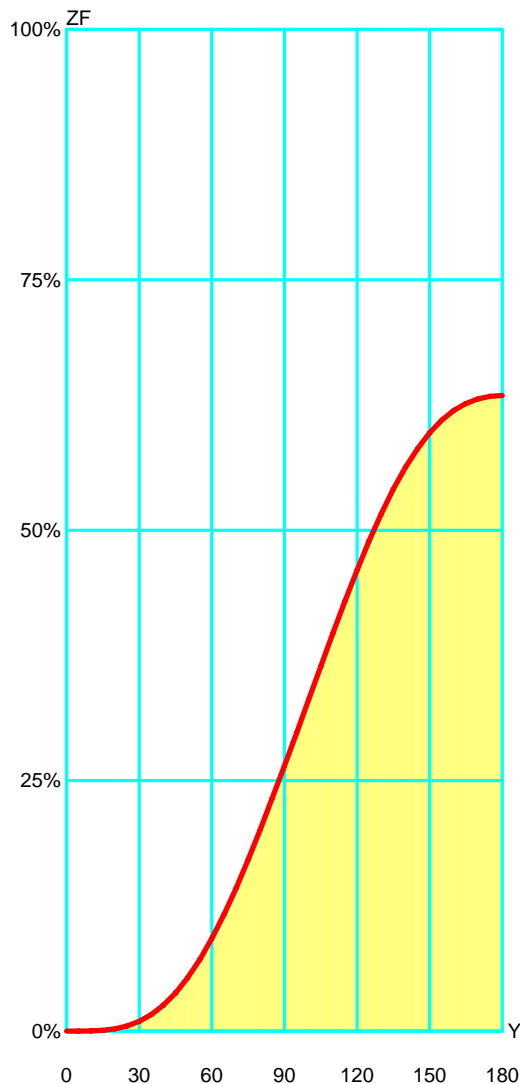
RI	0.60	0.80	1.00	1.25	1.50	2.00	2.50	3.00	4.00	5.00	10.00	20.00
DRR	0.06	0.11	0.16	0.21	0.26	0.34	0.41	0.46	0.54	0.59	0.74	0.84
RC	-	-	-	-	-	-	-	-	-	-	-	-

Zonal Flux per 1000 Lumen																		
Y°	10	20	30	40	50	60	70	80	90	100	110	120	130	140	150	160	170	180
ZF(Y)	0	2	10	26	53	60	143	201	265	331	397	460	516	563	597	620	631	634

CIE Flux Codes
11 35 66 42 63

C.I.E. - - - - -
D DIN 5040 C12
F UTE --
B NBN BZ 10
RN 58.25966 %
BLF 1.0

LOR 63.44512 %
ULOR 36.96291 %
DLOR 26.48221 %
UFF 58.25966 %
DFF 41.74034 %
FFR 139.57640 %



Zonal Flux				
Gamma °	Flux	Sum lm	Flux [%]	Sum [%]
0°	0.00	0.00	0.00%	0.00%
5°	0.03	0.03	0.00%	0.00%
10°	0.18	0.20	0.03%	0.03%
15°	0.62	0.82	0.10%	0.13%
20°	1.48	2.31	0.23%	0.36%
25°	2.81	5.12	0.44%	0.81%
30°	4.60	9.72	0.73%	1.53%
35°	6.82	16.54	1.07%	2.61%
40°	9.37	25.91	1.48%	4.08%
45°	12.17	38.08	1.92%	6.00%
50°	15.13	53.21	2.38%	8.39%
55°	18.12	71.33	2.86%	11.24%
60°	21.06	92.39	3.32%	14.56%
65°	23.83	116.22	3.76%	18.32%
70°	26.31	142.53	4.15%	22.46%
75°	28.45	170.97	4.48%	26.95%
80°	30.17	201.14	4.76%	31.70%
85°	31.44	232.58	4.96%	36.66%
90°	32.24	264.82	5.08%	41.74%
95°	32.75	297.58	5.16%	46.90%
100°	33.11	330.69	5.22%	52.12%
105°	33.25	363.94	5.24%	57.36%
110°	33.00	396.94	5.20%	62.56%
115°	32.25	429.18	5.08%	67.65%
120°	30.98	460.17	4.88%	72.53%
125°	29.24	489.40	4.61%	77.14%
130°	27.06	516.46	4.26%	81.40%
135°	24.53	540.99	3.87%	85.27%
140°	21.73	562.72	3.42%	88.69%
145°	18.75	581.47	2.96%	91.65%
150°	15.70	597.17	2.47%	94.12%
155°	12.66	609.82	1.99%	96.12%
160°	9.72	619.55	1.53%	97.65%
165°	7.01	626.56	1.10%	98.76%
170°	4.59	631.14	0.72%	99.48%
175°	2.52	633.66	0.40%	99.88%
180°	0.79	634.45	0.12%	100.00%

Luminaire		Measurem.		Lamp			
Code	05-9605-Z5-M1	Code	05-9605-Z5-M1	Code	PL ELEC23W/827 E27		
Name	Aplique MANDELA 1x23W E27 CFL	Name	Aplique MANDELA 1x23W E27 CFL	Number	1		
Line	- LEDS-C4	Date	18-09-2015	Position	Universal		
Luminaire Flux	942.16 lm	Luminaire Power	23.00 W	Efficacy	40.96 lm/W	Efficiency	63.45%
Lamps Flux	1485.00 lm	Maximum value	96.33 cd	Position	C=30.00 G=115.00	CG	Asymmetrical

Right beam angle not found, gamma = -64

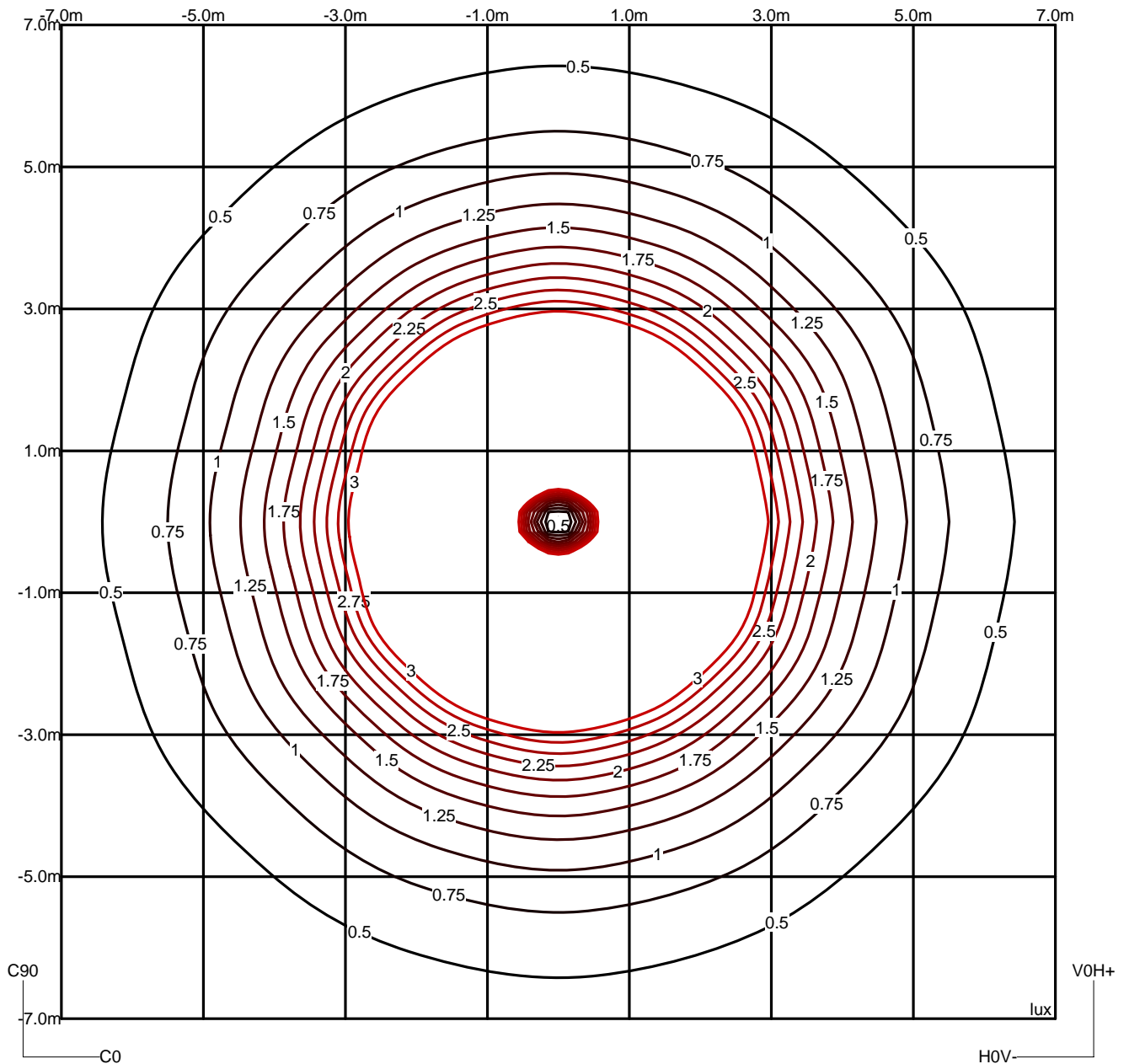
Right beam angle not found, gamma = -64

Right beam angle not found, gamma = -64

Luminaire		Measur.		Lamp			
Code	05-9605-Z5-M1	Code	05-9605-Z5-M1	Code	PL ELEC23W/827 E27		
Name	Aplique MANDELA 1x23W E27 CFL	Name	Aplique MANDELA 1x23W E27 CFL	Number	1		
Line	- LEDS-C4	Date	18-09-2015	Position	Universal		
Luminaire Flux	942.16 lm	Luminaire Power	23.00 W	Efficacy	40.96 lm/W	Efficiency	63.45%
Lamps Flux	1485.00 lm	Maximum value	96.33 cd	Position	C=30.00 G=115.00	CG	Asymmetrical

Isolux (Floor)

Luminaire position X=0.00m Y=0.00m Z=1.80m



Luminaire				Measur.				Lamp			
Code	05-9605-Z5-M1			Code	05-9605-Z5-M1			Code	PL ELEC23W/827 E27		
Name	Aplique MANDELA 1x23W E27 CFL			Name	Aplique MANDELA 1x23W E27 CFL			Number	1		
Line	- LEDS-C4			Date	18-09-2015			Position	Universal		
Luminaire Flux	942.16 lm			Luminaire Power	23.00 W			Efficacy	40.96 lm/W		
Lamps Flux	1485.00 lm			Maximum value	96.33 cd			Position	C=30.00 G=115.00		
								Efficiency	63.45%		
								CG	Asymmetrical		

Utilizations CIE

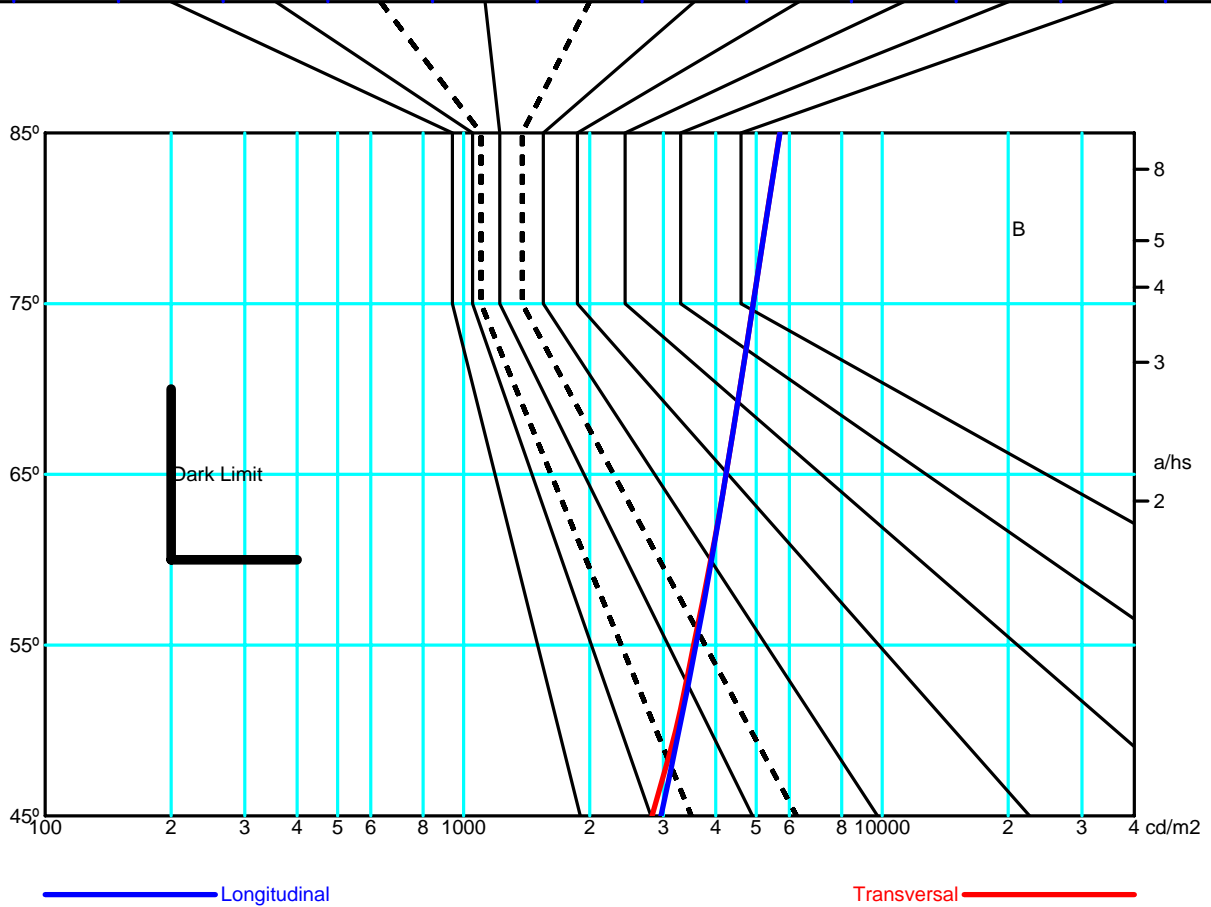
Mounting	Direct	Normalization										Normalised										Suspension Ratio ^{h/3}										Standard CIE Settings																																																																																																																																																																																																																																																																																							
Ceiling																																																																																																																																																																																																																																																																																																																							
K	8873	8773	8871	8771	7773	7771	7753	7553	7751	7551	7731	7331	7711	7111	5551	5531	5331	5511	5111	3331	3311	1111	0000	0.60	393	353	375	339	336	323	298	253	291	248	269	203	254	173	232	217	192	207	165	182	174	151	139	0.80	435	399	406	375	379	358	336	294	323	284	298	237	279	204	265	248	224	235	194	212	202	178	164	1.00	463	431	425	397	410	380	364	325	345	309	318	262	297	228	290	271	248	255	218	236	224	200	185	1.25	488	460	438	415	438	399	391	355	363	332	336	286	314	251	312	292	271	275	240	258	245	221	205	1.50	506	481	446	426	458	410	411	378	376	349	349	304	326	269	329	308	289	291	258	276	262	239	222	2.00	529	508	453	438	485	424	440	412	392	370	366	329	344	296	351	330	314	313	285	301	287	265	246	2.50	543	525	456	444	502	430	460	435	402	383	378	346	356	315	365	345	331	328	304	318	304	284	264	3.00	552	537	457	447	513	434	475	453	408	392	385	358	365	329	374	356	344	340	318	331	317	298	277	4.00	564	552	456	449	528	437	495	477	415	403	396	374	378	348	387	370	360	355	337	348	335	318	296	5.00	571	561	454	449	537	439	508	493	419	409	402	384	386	361	394	379	371	365	350	359	347	331	308	10.00	583	578	448	445	555	438	536	528	426	421	414	405	404	390	408	398	394	389	380	383	375	362	336	20.00	589	586	442	441	563	434	552	547	427	425	421	416	414	407	414	408	405	402	397	396	390	380	352
Wall																																																																																																																																																																																																																																																																																																																							
K	8873	8773	8871	8771	7773	7771	7753	7553	7751	7551	7731	7331	7711	7111	5551	5531	5331	5511	5111	3331	3311	1111	0000	0.60	262	240	239	221	229	211	180	160	170	152	143	117	123	95	142	120	111	105	91	106	92	83	75	0.80	313	291	280	262	275	249	224	201	208	188	178	150	156	124	174	151	141	134	117	132	117	105	94	1.00	352	331	310	294	312	278	260	237	238	219	208	179	184	151	201	177	166	159	142	155	140	125	112	1.25	392	372	340	325	348	307	297	275	269	250	238	210	214	181	228	205	194	186	168	179	163	146	131	1.50	423	405	363	350	378	330	328	306	293	276	264	237	240	207	251	228	217	209	191	200	184	164	147	2.00	470	454	397	386	423	365	377	357	331	316	304	279	280	250	286	265	255	246	229	233	218	194	175	2.50	504	490	422	413	457	390	414	395	360	347	334	312	312	283	313	293	284	275	260	259	244	218	197	3.00	531	519	442	434	483	411	443	427	383	371	359	339	338	311	336	317	308	300	285	280	267	238	215	4.00	572	562	472	466	524	442	489	475	419	409	397	380	378	355	370	353	346	338	325	315	302	271	246	5.00	603	595	496	491	554	467	523	511	446	438	427	412	409	389	397	382	376	368	357	342	330	297	270	10.00	692	688	570	567	643	542	623	616	528	524	515	507	503	491	479	468	465	458	451	425	417	378	348	20.00	774	772	642	640	725	615	713	709	607	604	599	594	591	583	557	550	548	544	540	505	500	458	425
Working Pl.																																																																																																																																																																																																																																																																																																																							
K	8873	8773	8871	8771	7773	7771	7753	7553	7751	7551	7731	7331	7711	7111	5551	5531	5331	5511	5111	3331	3311	1111	0000	0.60	233	210	217	197	195	184	136	115	131	112	96	70	70	43	99	71	61	50	37	54	36	26	16	0.80	292	267	269	247	246	229	183	158	174	152	135	104	106	71	131	101	89	78	60	77	57	42	29	1.00	339	314	309	288	288	266	223	196	211	187	170	135	138	98	160	128	115	103	83	98	77	57	41	1.25	387	362	348	329	330	302	265	238	248	224	207	170	174	130	190	158	144	132	110	121	100	74	55	1.50	424	400	378	360	363	330	300	272	279	255	238	201	204	159	215	183	169	157	134	141	120	89	68	2.00	478	458	422	406	414	372	354	328	325	303	286	250	253	209	254	224	210	198	175	173	153	114	90	2.50	516	498	451	437	449	400	394	369	357	338	321	288	289	247	282	254	241	229	207	197	178	134	108	3.00	544	528	472	460	475	421	424	401	382	364	348	317	318	278	303	277	265	254	232	216	198	149	121	4.00	582	569	500	490	511	449	467	447	416	401	386	360	359	324	334	310	300	289	271	244	228	173	142	5.00	607	596	518	510	535	467	496	479	438	426	411	389	387	357	354	333	324	314	298	264	249	189	157	10.00	664	657	557	553	590	508	565	555	490	483	473	460	456	438	402	389	383	376	366	311	301	232	195	20.00	697	693	580	578	622	532	607	602	522	518	511	504	501	491	433	424	421	416	410	343	336	261	222

LM53 SHR C0-C180: 10.534 SHR C90-C270: 10.534 SHR Square: 2.990

Luminaire		Measur.		Lamp			
Code	05-9605-Z5-M1	Code	05-9605-Z5-M1	Code	PL ELEC23W/827 E27		
Name	Aplique MANDELA 1x23W E27 CFL	Name	Aplique MANDELA 1x23W E27 CFL	Number	1		
Line	- LEDS-C4	Date	18-09-2015	Position	Universal		
Luminaire Flux	942.16 lm	Luminaire Power	23.00 W	Efficacy	40.96 lm/W	Efficiency	63.45%
Lamps Flux	1485.00 lm	Maximum value	96.33 cd	Position	C=30.00 G=115.00	CG	Asymmetrical

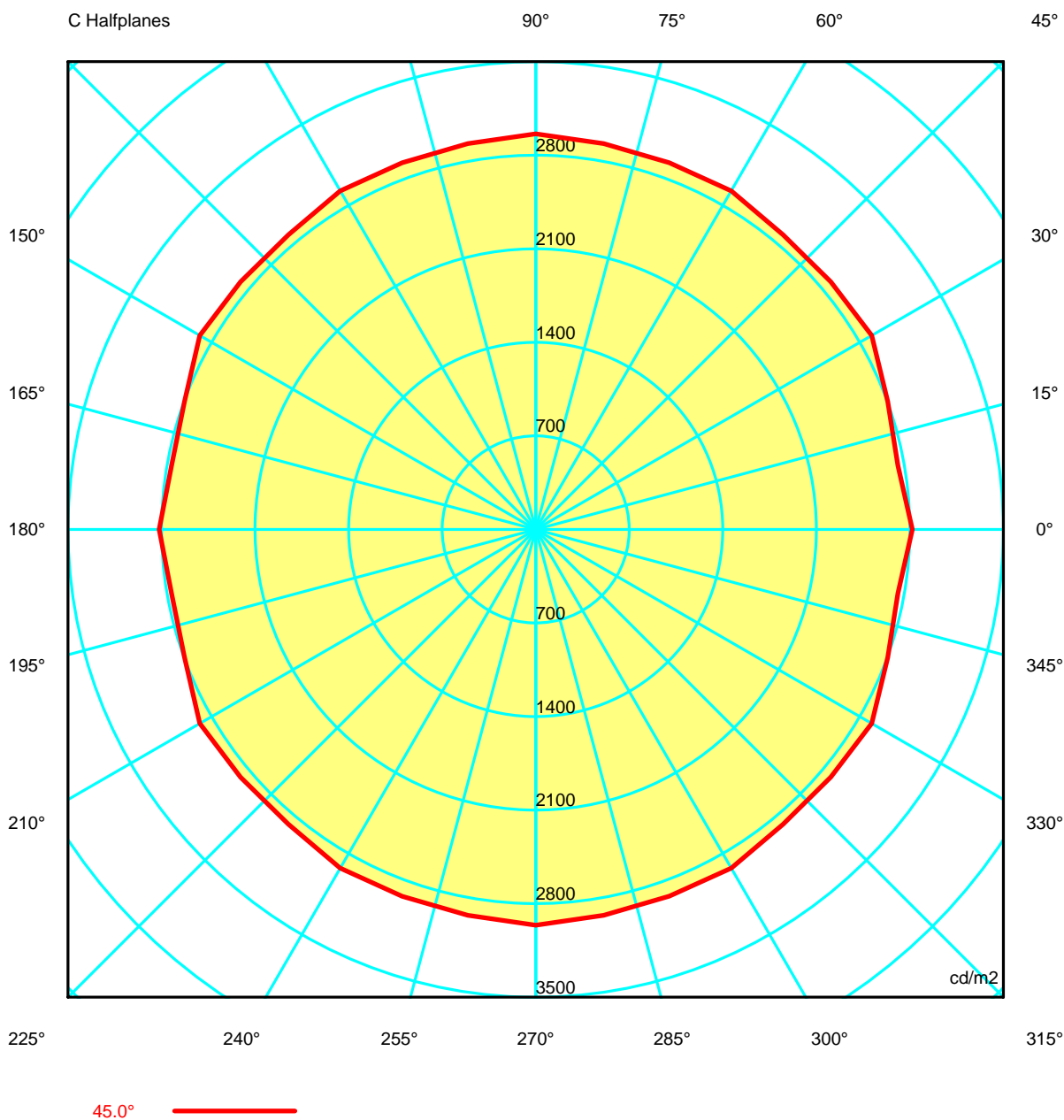
Average Luminance [cd/m ²]										
	45°	50°	55°	60°	65°	70°	75°	80°	85°	
0.0°	2818	3209	3544	3896	4233	4566	4920	5284	5691	--
90.0°	2961	3266	3593	3909	4235	4569	4918	5290	5694	--

Flush mounted or transversal view												
		Illumination(lx)										
A	A	2000	1000	750	500		<300				1.15	
B	1		2000	1500	1000	750	500	<300			1.5	
C					2000		1000	500	<300		1.85	
D	2						2000	1000	500	<300	2.2	
E	3							2000	1000	500	<300	2.55



Luminaire		Measurem.		Lamp			
Code	05-9605-Z5-M1	Code	05-9605-Z5-M1	Code	PL ELEC23W/827 E27		
Name	Aplique MANDELA 1x23W E27 CFL	Name	Aplique MANDELA 1x23W E27 CFL	Number	1		
Line	- LEDS-C4	Date	18-09-2015	Position	Universal		
Luminaire Flux	942.16 lm	Luminaire Power	23.00 W	Efficacy	40.96 lm/W	Efficiency	63.45%
Lamps Flux	1485.00 lm	Maximum value	96.33 cd	Position	C=30.00 G=115.00	CG	Asymmetrical

Luminance



Luminaire		Measurement				Lamp							
Code	05-9605-Z5-M1	Code	05-9605-Z5-M1		Code	PL ELEC23W/827 E27							
Name	Aplique MANDELA 1x23W E27 CFL	Name	Aplique MANDELA 1x23W E27 CFL		Number	1							
Line	- LEDS-C4	Date	18-09-2015		Position	Universal							
Luminaire Flux	942.16 lm	Luminaire Power	23.00 W	Efficacy	40.96 lm/W	Efficiency	63.45%						
Lamps Flux	1485.00 lm	Maximum value	96.33 cd	Position	C=30.00 G=115.00	CG	Asymmetrical						
Luminance cd/m ² Table 1/3													
	C 0.00	C 10.00	C 20.00	C 30.00	C 40.00	C 50.00	C 60.00	C 70.00	C 80.00	C 90.00	C 100.00	C 110.00	C 120.00
G 0.0	97.46	97.46	97.46	97.46	97.46	97.46	97.46	97.46	97.46	97.46	97.46	97.46	97.46
G 5.0	169.30	157.24	165.36	174.90	152.93	159.60	181.73	151.51	163.78	204.22	163.78	151.53	181.73
G 10.0	326.97	331.22	354.54	383.56	388.79	402.43	420.30	407.63	412.48	431.02	412.48	407.63	420.30
G 15.0	589.84	554.31	595.83	677.05	695.50	735.28	795.61	781.28	775.54	788.39	775.52	781.28	795.61
G 20.0	935.99	940.20	969.47	1028.23	1044.10	1084.02	1140.44	1137.22	1149.30	1177.85	1149.30	1137.23	1140.44
G 25.0	1291.00	1261.36	1305.73	1390.51	1417.98	1455.32	1512.73	1528.24	1545.35	1565.85	1545.34	1528.28	1512.73
G 30.0	1703.27	1675.91	1708.80	1775.53	1797.43	1825.81	1868.06	1877.98	1900.97	1927.89	1900.96	1878.01	1868.06
G 35.0	2060.93	2025.87	2067.63	2150.14	2169.67	2194.06	2238.94	2248.90	2266.78	2289.24	2266.76	2248.94	2238.94
G 40.0	2466.49	2418.06	2455.37	2535.30	2534.02	2542.53	2571.56	2572.79	2590.71	2621.61	2590.68	2572.79	2571.56
G 45.0	2818.48	2752.38	2802.76	2902.81	2882.85	2879.29	2926.02	2920.28	2931.69	2960.56	2931.66	2920.36	2926.02
G 50.0	3209.45	3127.08	3162.06	3253.53	3230.00	3220.77	3244.22	3228.74	3237.93	3265.73	3237.89	3228.83	3244.22
G 55.0	3543.91	3454.09	3499.94	3603.54	3566.08	3541.21	3574.14	3557.54	3564.22	3593.21	3564.17	3557.65	3574.14
G 60.0	3895.65	3808.23	3857.17	3959.24	3909.70	3876.84	3904.10	3870.56	3873.23	3909.19	3873.18	3870.67	3904.10
G 65.0	4233.14	4118.23	4165.70	4283.39	4235.57	4207.98	4245.59	4208.05	4202.26	4234.97	4202.20	4208.18	4245.59
G 70.0	4566.26	4454.70	4513.95	4640.02	4577.83	4542.56	4583.44	4537.52	4530.30	4568.86	4530.24	4537.65	4583.44
G 75.0	4920.28	4782.28	4843.16	4986.04	4918.41	4880.73	4933.21	4895.64	4885.59	4918.39	4885.52	4895.79	4933.21
G 80.0	5283.86	5146.54	5212.85	5361.73	5292.63	5257.00	5310.91	5260.34	5248.73	5289.68	5248.66	5260.50	5310.91
G 85.0	5690.68	5537.58	5599.86	5753.68	5685.56	5650.47	5707.01	5659.07	5650.95	5694.30	5650.87	5659.24	5707.01
G 90.0	6146.92	6002.28	6067.73	6218.31	6143.38	6100.15	6152.59	6108.86	6100.45	6139.64	6100.37	6109.03	6152.59

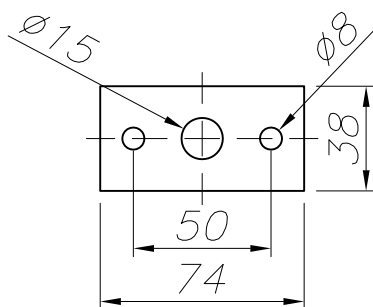
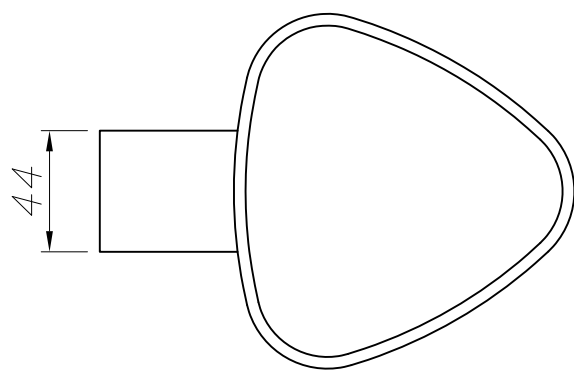
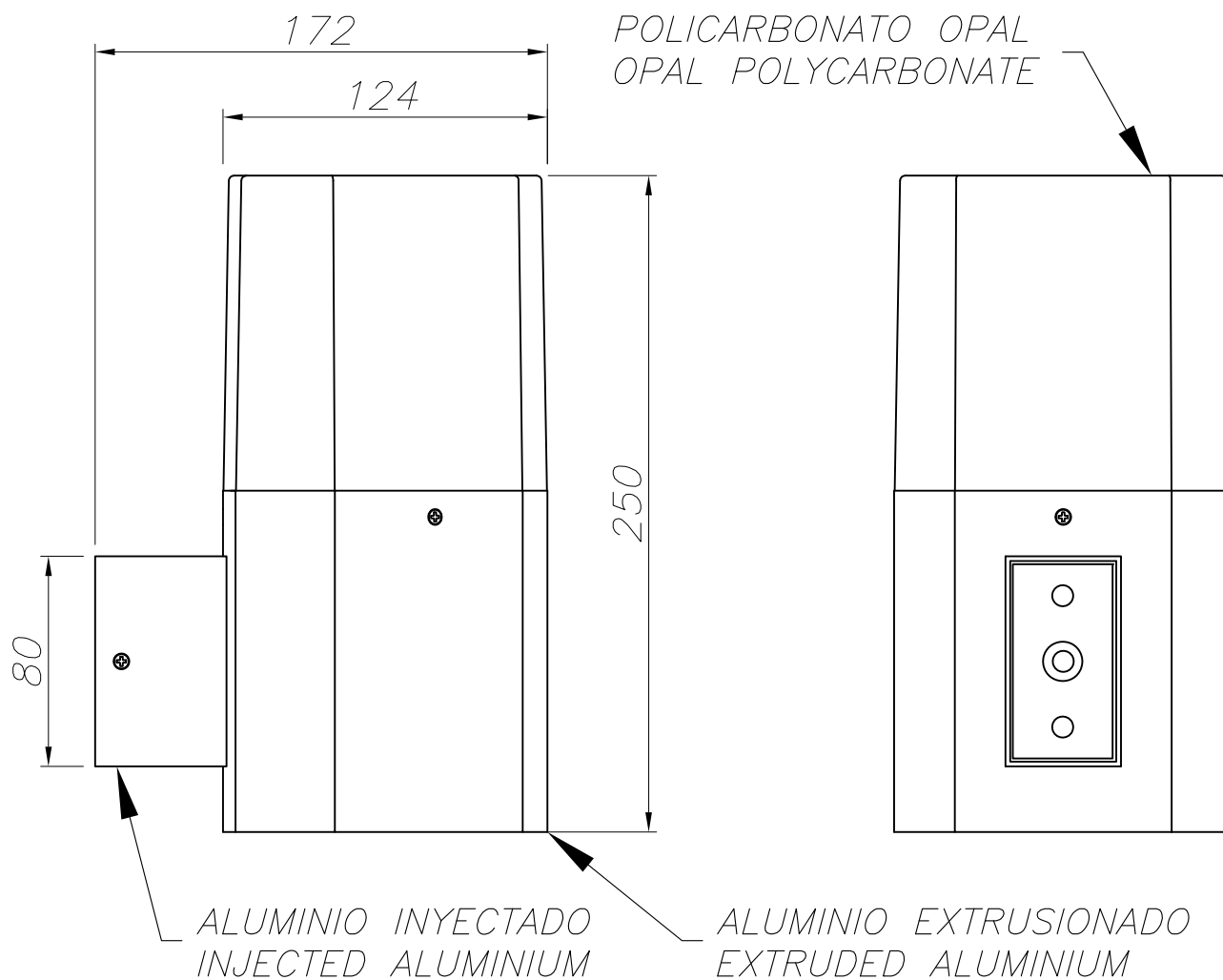
Luminaire		Measurement				Lamp							
Code	05-9605-Z5-M1	Code	05-9605-Z5-M1			Code	PL ELEC23W/827 E27						
Name	Aplique MANDELA 1x23W E27 CFL	Name	Aplique MANDELA 1x23W E27 CFL			Number	1						
Line	- LEDS-C4	Date	18-09-2015			Position	Universal						
Luminaire Flux	942.16 lm	Luminaire Power	23.00 W	Efficacy	40.96 lm/W	Efficiency	63.45%						
Lamps Flux	1485.00 lm	Maximum value	96.33 cd	Position	C=30.00 G=115.00	CG	Asymmetrical						
Luminance cd/m2 Table 2/3													
	C 130.00	C 140.00	C 150.00	C 160.00	C 170.00	C 180.00	C 190.00	C 200.00	C 210.00	C 220.00	C 230.00	C 240.00	C 250.00
G 0.0	97.46	97.46	97.46	97.46	97.46	97.46	97.46	97.46	97.46	97.46	97.46	97.46	97.46
G 5.0	159.52	153.13	174.90	164.30	159.92	169.30	159.92	164.30	174.90	153.13	159.52	181.73	151.53
G 10.0	402.43	388.78	383.56	354.60	331.07	326.97	331.07	354.60	383.56	388.78	402.43	420.30	407.63
G 15.0	735.04	696.10	677.05	592.51	562.70	589.84	562.70	592.51	677.05	696.10	735.04	795.61	781.28
G 20.0	1083.95	1044.27	1028.23	968.54	940.20	935.99	932.52	968.54	1028.23	1044.27	1083.95	1140.44	1137.23
G 25.0	1455.11	1418.51	1390.51	1302.84	1277.75	1291.00	1277.75	1302.84	1390.51	1418.51	1455.11	1512.73	1528.28
G 30.0	1825.62	1797.90	1775.53	1706.23	1682.40	1703.27	1682.40	1706.23	1775.53	1797.90	1825.62	1868.06	1878.01
G 35.0	2193.82	2170.26	2150.14	2064.34	2034.18	2060.93	2034.18	2064.34	2150.14	2170.26	2193.82	2238.94	2248.94
G 40.0	2542.22	2534.02	2535.30	2451.07	2428.92	2466.49	2428.92	2451.07	2535.30	2534.02	2542.22	2571.56	2572.79
G 45.0	2878.87	2883.92	2902.81	2796.90	2767.20	2818.48	2767.20	2796.90	2902.81	2883.92	2878.87	2926.02	2920.36
G 50.0	3220.26	3230.00	3253.53	3155.09	3144.70	3209.45	3144.70	3155.09	3253.53	3230.00	3220.26	3244.22	3228.83
G 55.0	3540.66	3567.47	3603.54	3492.24	3473.54	3543.91	3473.54	3492.24	3603.54	3567.47	3540.66	3574.14	3557.65
G 60.0	3876.30	3911.07	3959.24	3849.63	3827.30	3895.65	3827.30	3849.63	3959.24	3911.07	3876.30	3904.10	3870.67
G 65.0	4207.28	4237.34	4283.39	4155.99	4142.78	4233.14	4142.78	4155.99	4283.39	4237.34	4207.28	4245.59	4208.18
G 70.0	4541.87	4579.57	4640.02	4504.36	4478.94	4566.26	4478.94	4504.36	4640.02	4579.57	4541.87	4583.44	4537.65
G 75.0	4879.88	4920.54	4986.04	4831.45	4811.88	4920.28	4811.88	4831.45	4986.04	4920.54	4879.88	4933.21	4895.79
G 80.0	5256.15	5294.76	5361.73	5201.13	5176.17	5283.86	5176.17	5201.13	5361.73	5294.76	5256.15	5310.91	5260.50
G 85.0	5649.55	5687.90	5753.68	5586.93	5570.25	5690.68	5570.25	5586.93	5753.68	5687.90	5649.55	5707.01	5659.24
G 90.0	6099.26	6145.61	6218.31	6055.43	6033.36	6146.92	6033.36	6055.43	6218.31	6145.61	6099.26	6152.59	6109.03

Luminaire		Measur.		Lamp	
Code	05-9605-Z5-M1	Code	05-9605-Z5-M1	Code	PL ELEC23W/827 E27
Name	Aplique MANDELA 1x23W E27 CFL	Name	Aplique MANDELA 1x23W E27 CFL	Number	1
Line	- LEDS-C4	Date	18-09-2015	Position	Universal

Luminaire Flux	942.16 lm	Luminaire Power	23.00 W	Efficacy	40.96 lm/W	Efficiency	63.45%
Lamps Flux	1485.00 lm	Maximum value	96.33 cd	Position	C=30.00 G=115.00	CG	Asymmetrical

Luminance cd/m2 Table 3/3

	C 260.00	C 270.00	C 280.00	C 290.00	C 300.00	C 310.00	C 320.00	C 330.00	C 340.00	C 350.00
G 0.0	97.46	97.46	97.46	97.46	97.46	97.46	97.46	97.46	97.46	97.46
G 5.0	163.78	204.22	163.78	151.51	181.73	159.60	152.93	174.90	165.36	157.24
G 10.0	412.48	431.02	412.48	407.63	420.30	402.43	388.79	383.56	354.54	331.22
G 15.0	775.52	788.39	775.54	781.28	795.61	735.28	695.50	677.05	595.83	554.31
G 20.0	1149.30	1177.85	1149.30	1137.22	1140.44	1084.02	1044.10	1028.23	969.47	940.20
G 25.0	1545.34	1565.85	1545.35	1528.24	1512.73	1455.32	1417.98	1390.51	1305.73	1261.36
G 30.0	1900.96	1927.89	1900.97	1877.98	1868.06	1825.81	1797.43	1775.53	1708.80	1675.91
G 35.0	2266.76	2289.24	2266.78	2248.90	2238.94	2194.06	2169.67	2150.14	2067.63	2025.87
G 40.0	2590.68	2621.61	2590.71	2572.79	2571.56	2542.53	2534.02	2535.30	2455.37	2418.06
G 45.0	2931.66	2960.56	2931.69	2920.28	2926.02	2879.29	2882.85	2902.81	2802.76	2752.38
G 50.0	3237.89	3265.73	3237.93	3228.74	3244.22	3220.77	3230.00	3253.53	3162.06	3127.08
G 55.0	3564.17	3593.21	3564.22	3557.54	3574.14	3541.21	3566.08	3603.54	3499.94	3454.09
G 60.0	3873.18	3909.19	3873.23	3870.56	3904.10	3876.84	3909.70	3959.24	3857.17	3808.23
G 65.0	4202.20	4234.97	4202.26	4208.05	4245.59	4207.98	4235.57	4283.39	4165.70	4118.23
G 70.0	4530.24	4568.86	4530.30	4537.52	4583.44	4542.56	4577.83	4640.02	4513.95	4454.70
G 75.0	4885.52	4918.39	4885.59	4895.64	4933.21	4880.73	4918.41	4986.04	4843.16	4782.28
G 80.0	5248.66	5289.68	5248.73	5260.34	5310.91	5257.00	5292.63	5361.73	5212.85	5146.54
G 85.0	5650.87	5694.30	5650.95	5659.07	5707.01	5650.47	5685.56	5753.68	5599.86	5537.58
G 90.0	6100.37	6139.64	6100.45	6108.86	6152.59	6100.15	6143.38	6218.31	6067.73	6002.28



PLANTILLA DE INSTALACIÓN
INSTALLATION TEMPLATE

