

TAYLOR

05-9594-14-37

Wall fixture IP44 TAYLOR LED 2.2W LED neutral-white 4000K White 88lm



TECHNICAL FEATURES



Power (W) : 2.2W

Real lumens : 88

Real lm/W : 44

Correlated Colour Temperature (CCT) : LED neutral-white 4000K

Structure material : Aluminium

Structure finish : White

Diffuser material : Glass

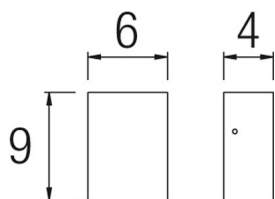
Diffuser finish : Transparent

Voltage / frequency : 100-240VAC/50-60Hz

Warranty : 2 Years

Seaside : No

Energy efficiency : LED A++



LUMINOTECHNIC FEATURES

Light source: LED

CRI: 75

VENTILATION FEATURES

Service value measurement standard: EN 60879:2019

LOGISTICS

Net weight (kg): 0.27

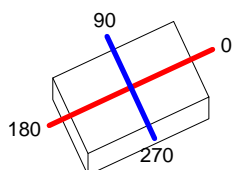
Packaged weight (kg): 0.32



Luminaire		Measur.		Lamp		
Code	05-9594	Code	05-9594	Code	05-9594	
Name	Aplique 1 led	Name	Aplique 1 led	Number	1	
Line	Eulumdat	Date	15-11-2011	Position		
Efficiency	100.00%	Coordinate system	CG	Total Flux	88.16 lm	
Maximum value	45.73 cd	Position	C=90.00 G=5.00	Double Symmetrical		
Rectangular Luminaire	Length	40 mm	Width	64 mm	Height	87 mm
Rectangular Luminous Area	Length	26 mm	Width	52 mm	Height	0 mm
Horizontal Luminous Area	0.001352 m2	Emitting area on Plane 180°		0.000000 m2		
Emitting area on Plane 0°	0.000000 m2	Emitting area on Plane 270°		0.000000 m2		
Emitting area on Plane 90°	0.000000 m2	Glare area at 76°		0.000327 m2		
Symmetry Type	Double Symmetrical	Maximum Gamma Angle		90		
Measurement Distance	0.00	Measurement Flux		88.16 lm		
Operator	Asselum T2	Source voltage				
Temperature	25.00 °C	Source current				
Humidity	60.00 %	Photocell				
Notes						

Luminaire Lamps						
Line	Code	Name	Flux [lm]	Pow. [W]	Q.ty	
Eulumdat	05-9594	05-9594 - 4.00 W	88.16	4.00	1	
C.I.E.	70 96 99 100 100	D DIN 5040				
F UTE	1.00 B	B NBN				
		A50				
		BZ 2				

40mm x 64mm



C Halfplanes

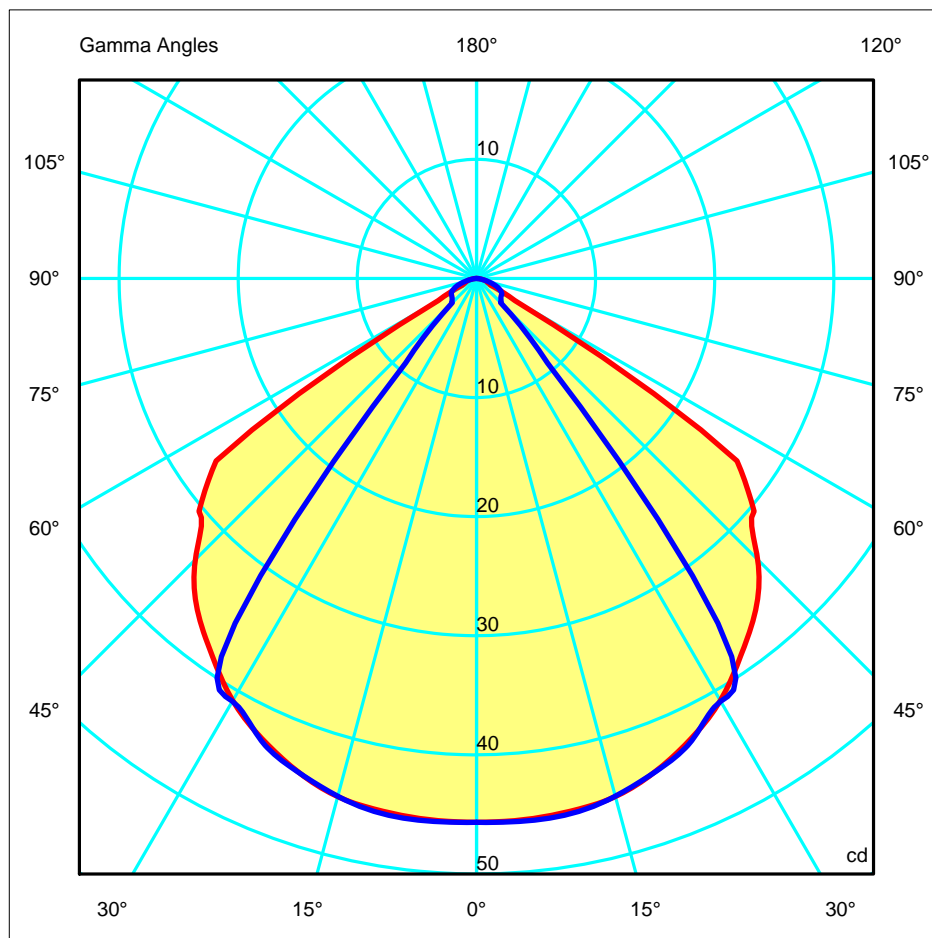
180.0 — 0.0

270.0 — 90.0

ULOR 0.00 %

DLOR 100.00 %

RN 0.00 %

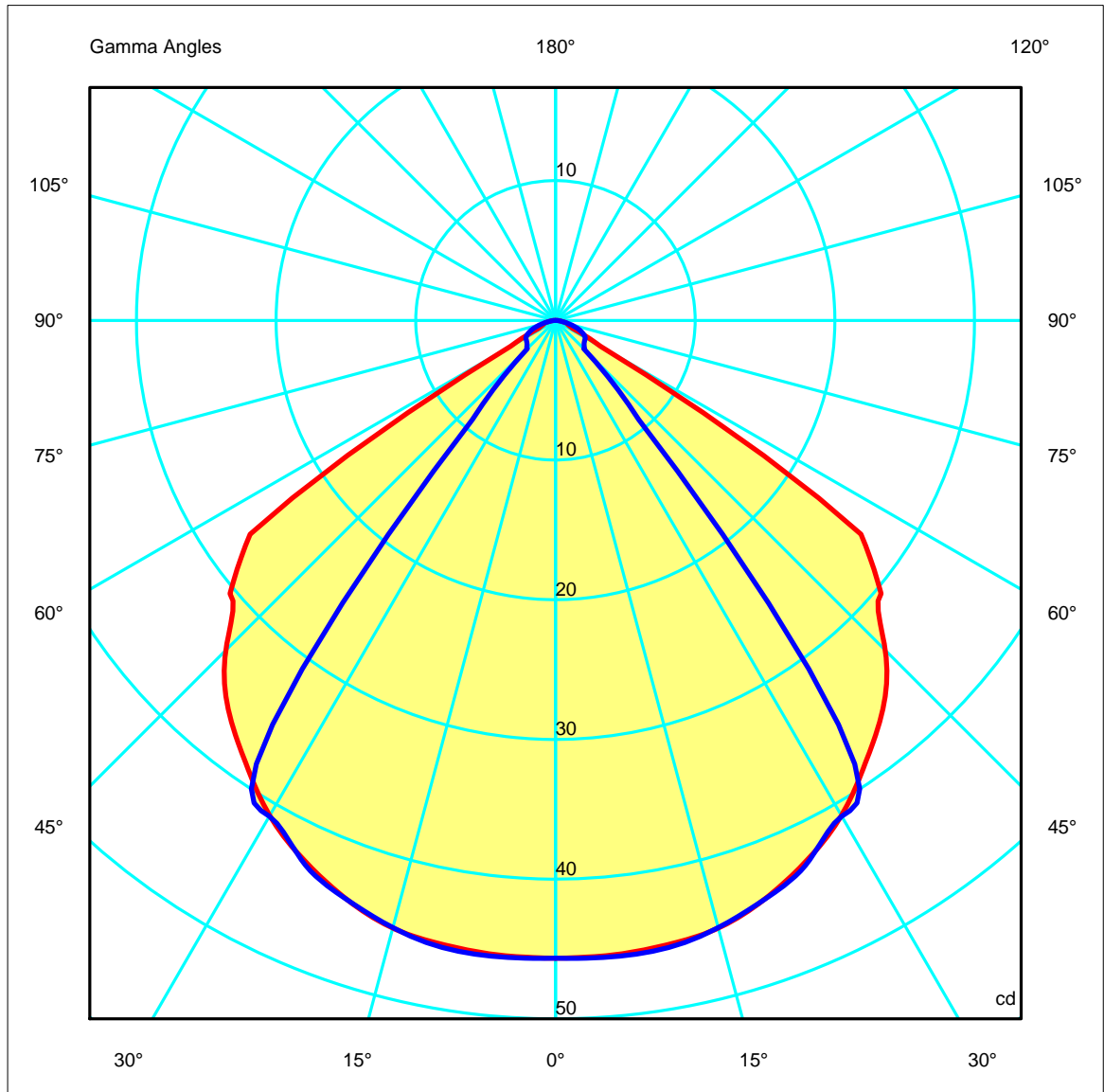
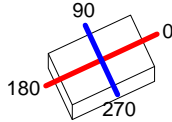


Luminaire		Measur.		Lamp	
Code	05-9594	Code	05-9594	Code	05-9594
Name	Aplique 1 led	Name	Aplique 1 led	Number	1
Line	Eulumdat	Date	15-11-2011	Position	
Efficiency	100.00%	Coordinate system	CG	Total Flux	88.16 lm

40mm x 64mm

C Halfplanes

180.0 ——— 0.0
 270.0 ——— 90.0



Luminaire

 Code 05-9594
 Name Aplique 1 led
 Line Eulumdat

Measuram.

 Code 05-9594
 Name Aplique 1 led
 Date 15-11-2011

Lamp

 Code 05-9594
 Number 1
 Position

Efficiency 100.00%

Coordinate system CG

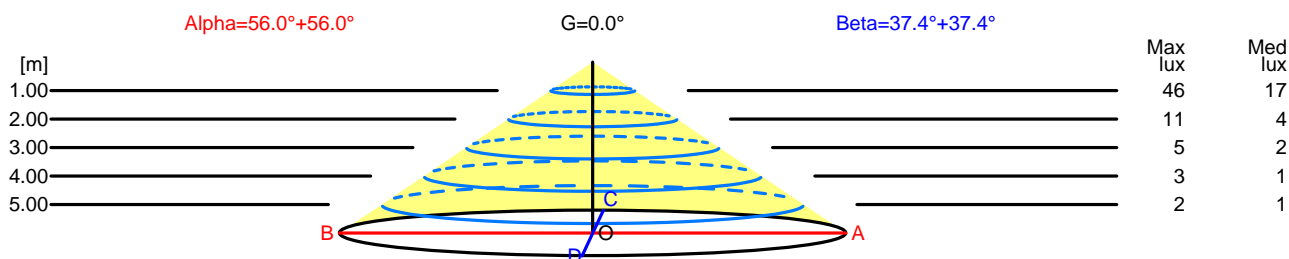
Total Flux 88.16 lm

Width at 50.00 % of Max Intensity

H[m]	1.00	2.00	3.00	4.00	5.00	H[m]	1.00	2.00	3.00	4.00	5.00
OA	1.48	2.96	4.44	5.92	7.41	OC	0.77	1.53	2.30	3.06	3.83
OB	1.48	2.96	4.44	5.92	7.41	OD	0.77	1.53	2.30	3.06	3.83

Luminous Intensities [cd]

	0	5	15	25	35	45	55	65	75	85
OA	45.65	45.62	45.03	42.62	38.67	33.37	26.69	1.31	0.82	0.29
OB	45.65	45.62	45.03	42.62	38.67	33.37	26.69	1.31	0.82	0.29
OC	45.65	45.73	45.00	42.78	35.32	2.86	2.54	2.14	1.08	0.20
OD	45.65	45.73	45.00	42.78	35.32	2.86	2.54	2.14	1.08	0.20



H[m]	D[m]	Max lux	Med lux	Alpha=56.0°+56.0°	G=0.0
1.00	2.96	46	17		
2.00	5.92	11	4		
3.00	8.89	5	2		
4.00	11.85	3	1		
5.00	14.81	2	1		

H[m]	D[m]	Max lux	Med lux	Beta=37.4°+37.4°	G=0.0
1.00	1.53	46	17		
2.00	3.06	11	4		
3.00	4.59	5	2		
4.00	6.12	3	1		
5.00	7.65	2	1		

Luminaire
 Code 05-9594
 Name Aplique 1 led
 Line Eulumat

Measuram.
 Code 05-9594
 Name Aplique 1 led
 Date 15-11-2011

Lamp
 Code 05-9594
 Number 1
 Position

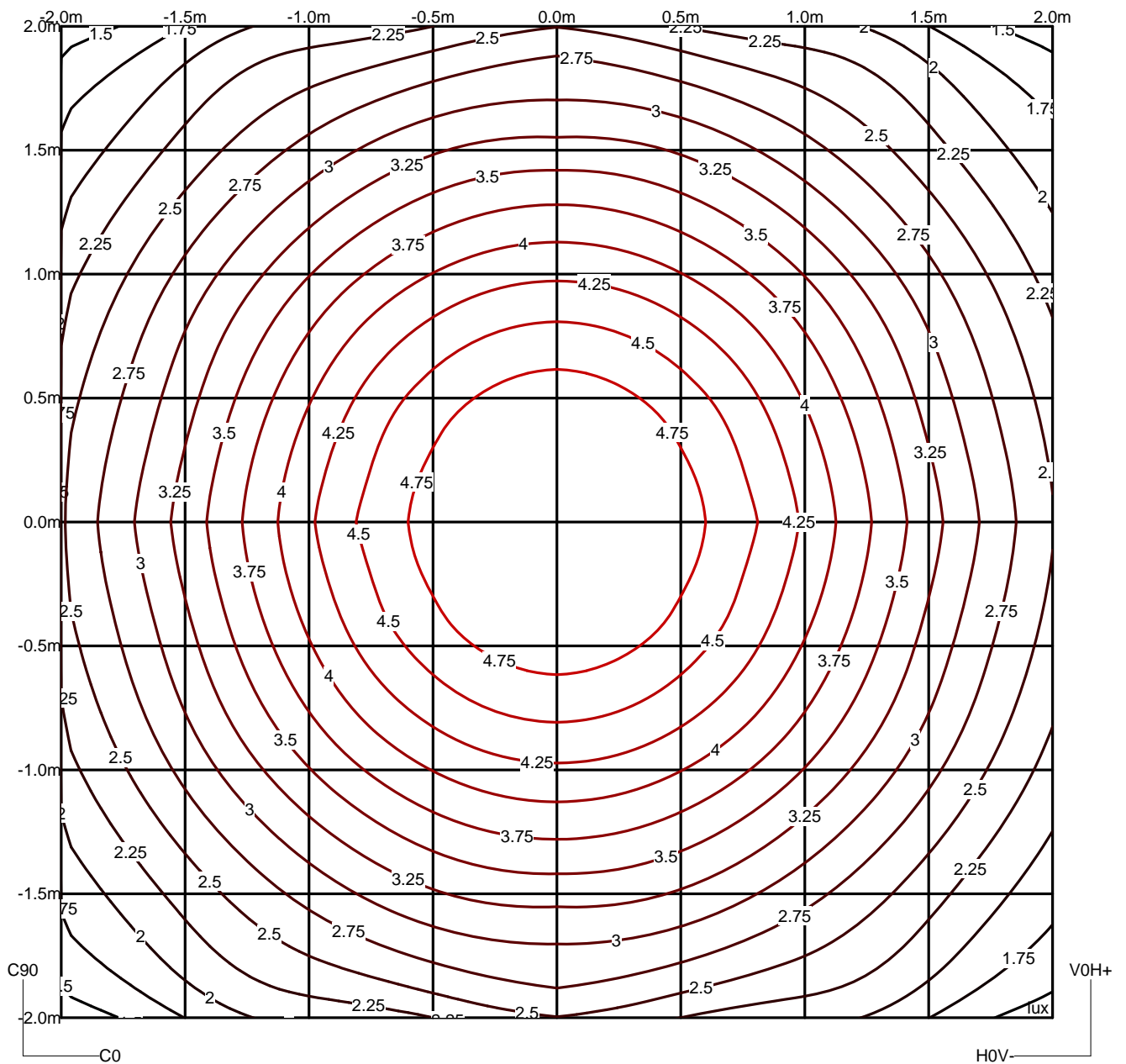
Efficiency 100.00%

Coordinate system CG

Total Flux 88.16 lm

Isolux (Floor)

Luminaire position X=0.00m Y=0.00m Z=3.00m



Luminaire

 Code 05-9594
 Name Aplique 1 led
 Line Eulumdat

Measur.

 Code 05-9594
 Name Aplique 1 led
 Date 15-11-2011

Lamp

 Code 05-9594
 Number 1
 Position

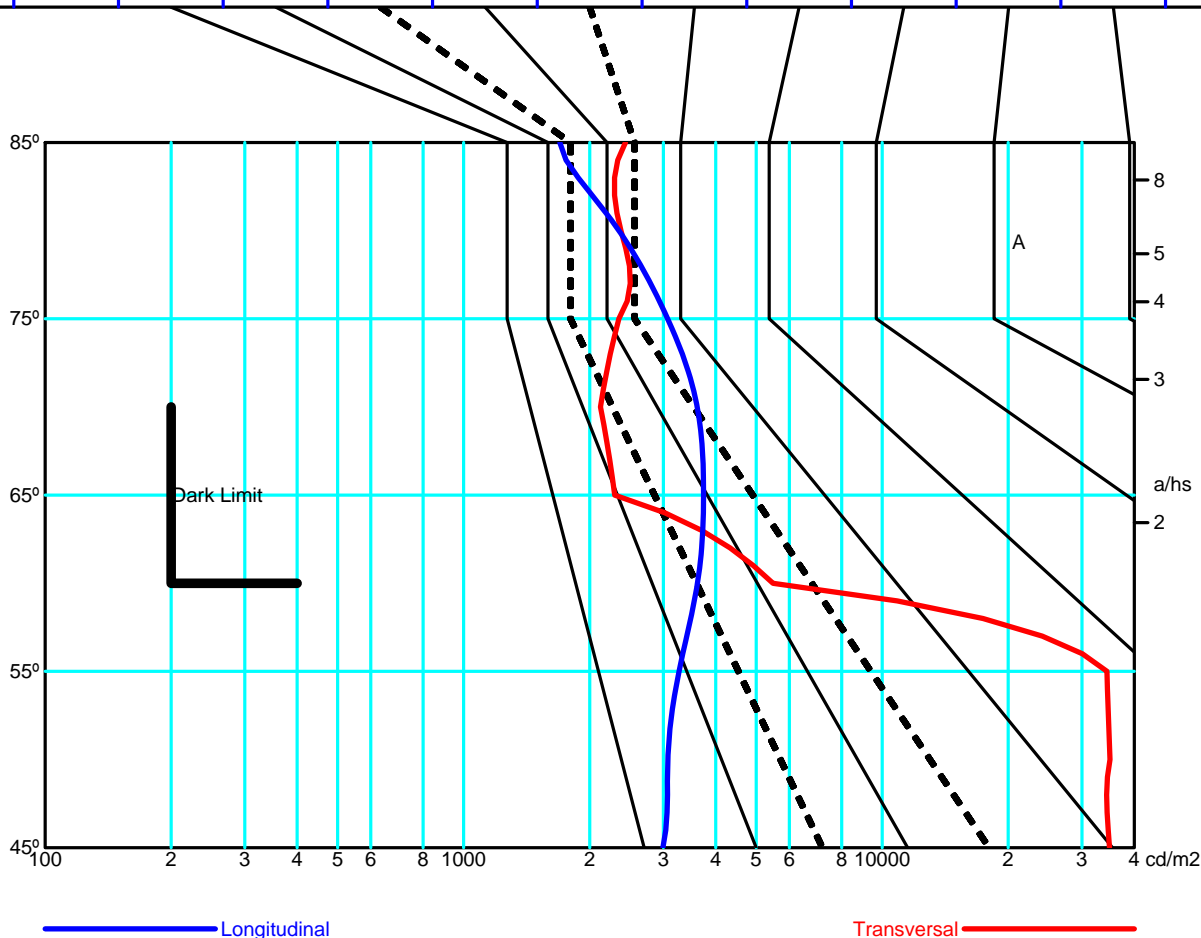
Efficiency 100.00%

Coordinate system CG

Total Flux 88.16 lm

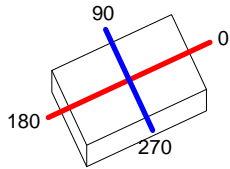
		Average Luminance [cd/m ²]										
		0.0°	45°	50°	55°	60°	65°	70°	75°	80°	85°	
90.0°		2993	3075	3270	3619	3743	3614	3072	2350	1697	---	

Flush mounted or longitudinal view												
		Illumination(lx)										
A	A	2000	1000	750	500		<300					1.15
B	1		2000	1500	1000	750	500	<300				1.5
C					2000		1000	500	<300			1.85
D	2						2000	1000	500	<300		2.2
E	3							2000	1000	500	<300	2.55



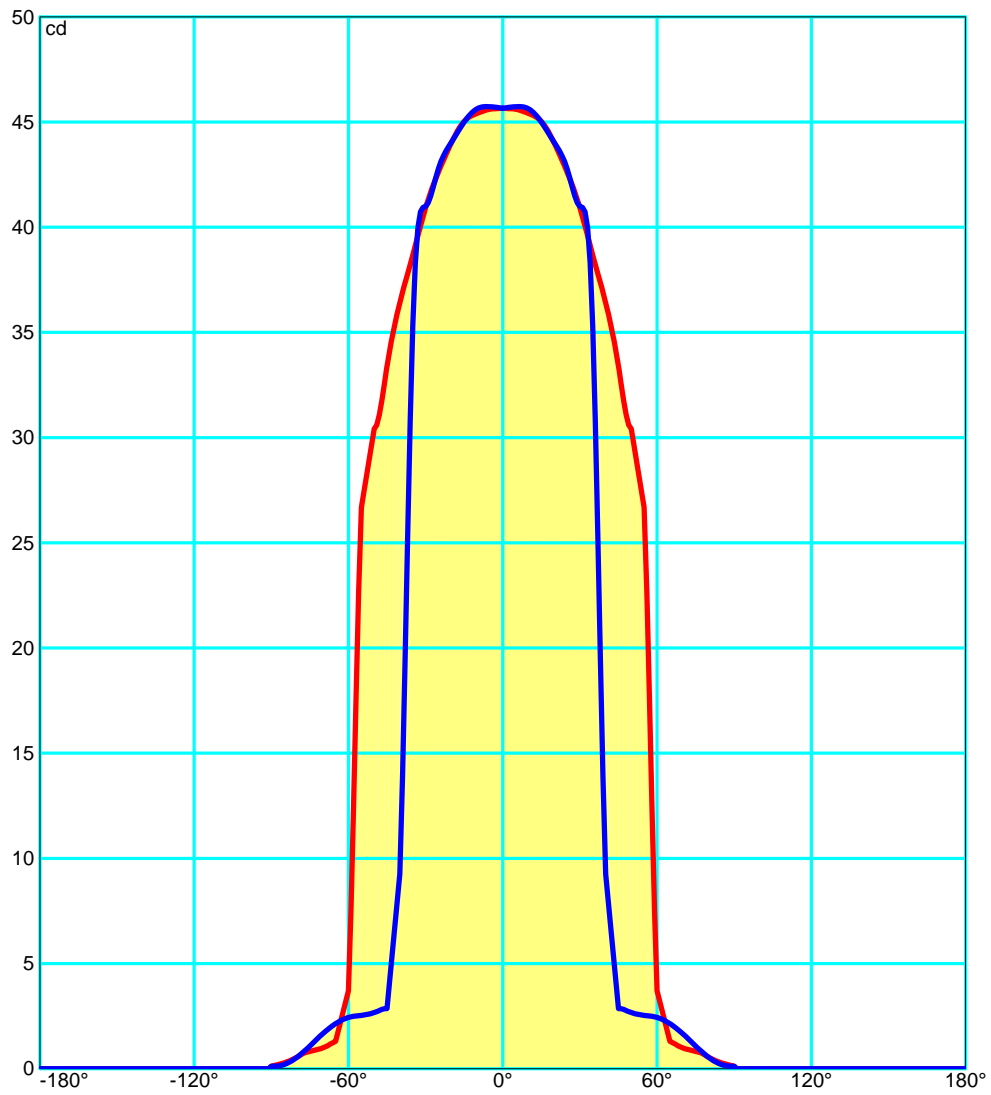
Luminaire		Measur.		Lamp	
Code	05-9594	Code	05-9594	Code	05-9594
Name	Aplique 1 led	Name	Aplique 1 led	Number	1
Line	Eulumdat	Date	15-11-2011	Position	
Efficiency	100.00%	Coordinate system	CG	Total Flux	88.16 lm

40mm x 64mm



C Halfplanes

180.0 ——— 0.0
270.0 ——— 90.0



Luminaire		Measur.		Lamp	
Code	05-9594	Code	05-9594	Code	05-9594
Name	Aplique 1 led	Name	Aplique 1 led	Number	1
Line	Eulumdat	Date	15-11-2011	Position	
Efficiency	100.00%	Coordinate system	CG	Total Flux	88.16 lm

UGR
S = 0.250

Reflectancies										
Ceiling/Cavity	0.7	0.7	0.5	0.5	0.3	0.7	0.7	0.5	0.5	0.3
Walls	0.5	0.3	0.5	0.3	0.3	0.5	0.3	0.5	0.3	0.3
WorkingPlane	0.2	0.2	0.2	0.2	0.2	0.2	0.2	0.2	0.2	0.2
RoomDimensions	ViewedCrosswise					ViewedEndwise				
x=2H y=2H	23.6	24.6	23.9	24.8	18.9	17.5	18.5	17.8	18.7	18.9
x=2H y=3H	23.5	24.4	23.8	24.7	19.2	17.8	18.7	18.1	18.9	19.2
x=2H y=4H	23.5	24.3	23.8	24.6	19.3	17.9	18.7	18.2	19.0	19.3
x=2H y=6H	23.4	24.2	23.8	24.5	19.3	18.0	18.8	18.3	19.0	19.3
x=2H y=8H	23.4	24.1	23.7	24.4	19.3	18.0	18.7	18.4	19.0	19.3
x=2H y=12H	23.3	24.0	23.7	24.4	19.3	18.0	18.7	18.4	19.0	19.3
x=4H y=2H	23.4	24.3	23.8	24.5	19.4	18.0	18.9	18.4	19.1	19.4
x=4H y=3H	23.3	24.0	23.7	24.4	19.7	18.4	19.1	18.8	19.4	19.7
x=4H y=4H	23.3	23.9	23.7	24.3	19.9	18.6	19.2	19.0	19.5	19.9
x=4H y=6H	23.3	23.8	23.7	24.2	20.0	18.7	19.2	19.1	19.6	20.0
x=4H y=8H	23.3	23.7	23.7	24.1	20.0	18.7	19.2	19.2	19.6	20.0
x=4H y=12H	23.2	23.6	23.7	24.1	20.0	18.8	19.2	19.2	19.6	20.0
x=8H y=4H	23.2	23.7	23.7	24.1	19.9	18.6	19.1	19.0	19.5	19.9
x=8H y=6H	23.2	23.6	23.7	24.0	20.0	18.8	19.2	19.2	19.6	20.0
x=8H y=8H	23.2	23.5	23.7	24.0	20.1	18.8	19.2	19.3	19.6	20.1
x=8H y=12H	23.1	23.4	23.6	23.9	20.1	18.8	19.1	19.3	19.6	20.1
x=12H y=4H	23.2	23.6	23.6	24.0	19.8	18.6	19.0	19.0	19.4	19.8
x=12H y=6H	23.2	23.5	23.6	23.9	20.0	18.8	19.1	19.2	19.5	20.0
x=12H y=8H	23.1	23.4	23.6	23.9	20.1	18.8	19.1	19.3	19.6	20.1

Luminaire

 Code 05-9594
 Name Aplique 1 led
 Line Eulumdat

Measuram.

 Code 05-9594
 Name Aplique 1 led
 Date 15-11-2011

Lamp

 Code 05-9594
 Number 1
 Position

Efficiency 100.00%

Coordinate system CG

Total Flux 88.16 lm

Total Flux= 88.16 Luminaire Flux= 88.16

RI	0.60	0.80	1.00	1.25	1.50	2.00	2.50	3.00	4.00	5.00	10.00	20.00
DRR	0.48	0.56	0.64	0.70	0.75	0.82	0.86	0.89	0.91	0.93	0.96	0.98
RC	2	2	2	2	1	1	1	1	1	1	2	2

Zonal Flux per 1000 Lumen

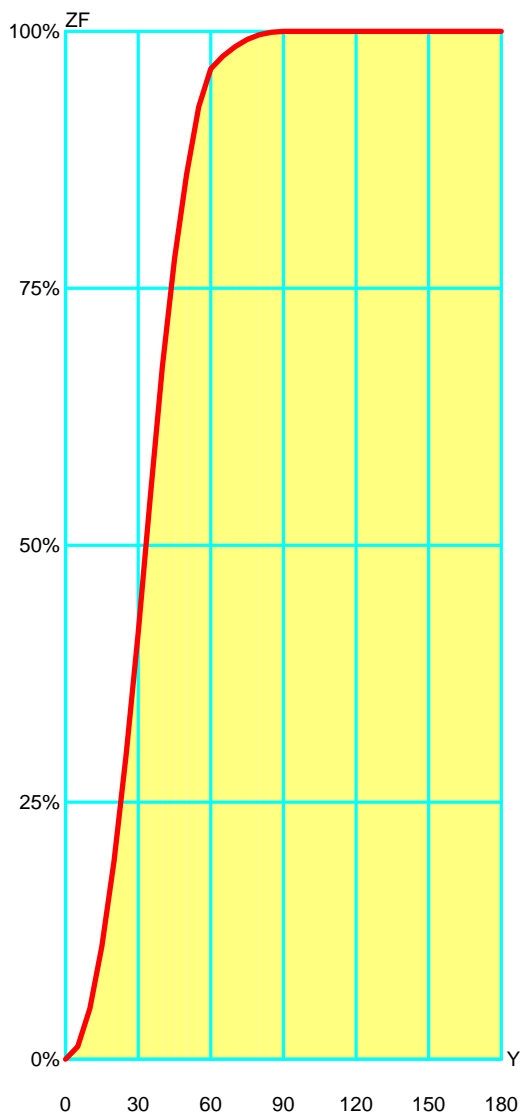
Y°	10	20	30	40	50	60	70	80	90	100	110	120	130	140	150	160	170	180
ZF(Y)	49	193	415	674	861	964	985	997	1000	1000	1000	1000	1000	1000	1000	1000	1000	1000

CIE Flux Codes

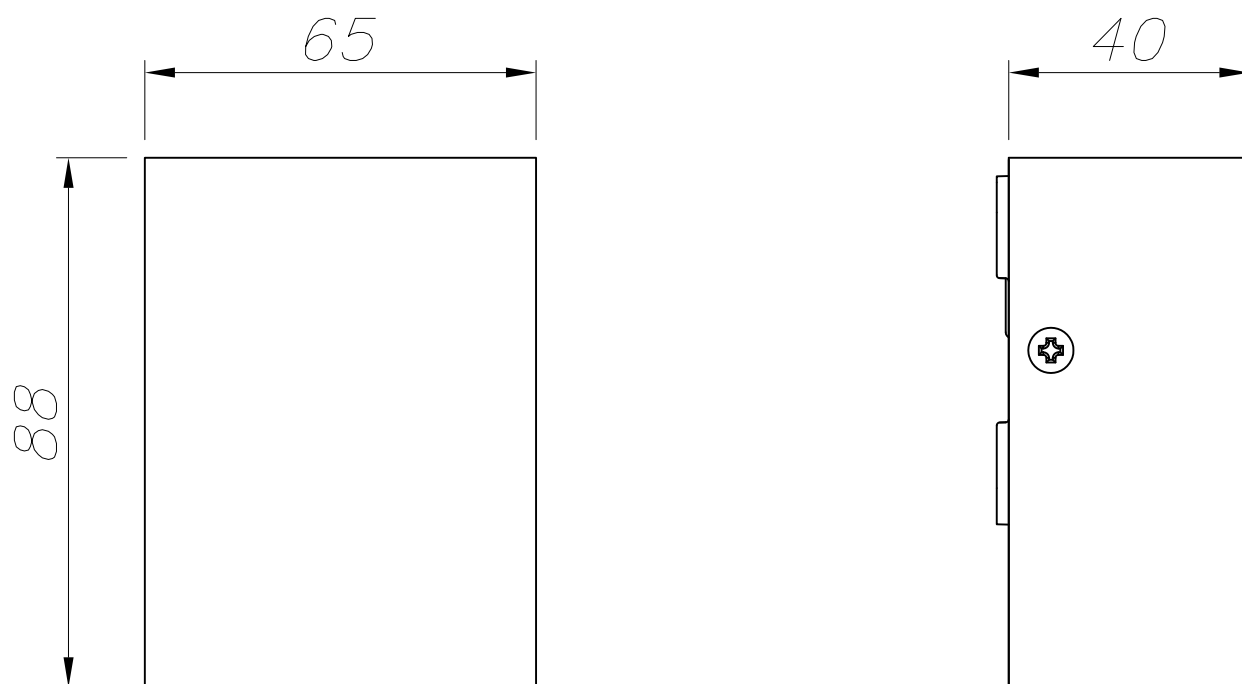
70 96 99 100 100

C.I.E.	2/2/2/2/1/1/1/1/1/2/2
D DIN 5040	A50
F UTE	1.00 B
B NBN	BZ 2
RN	0.00000 %
BLF	1.0

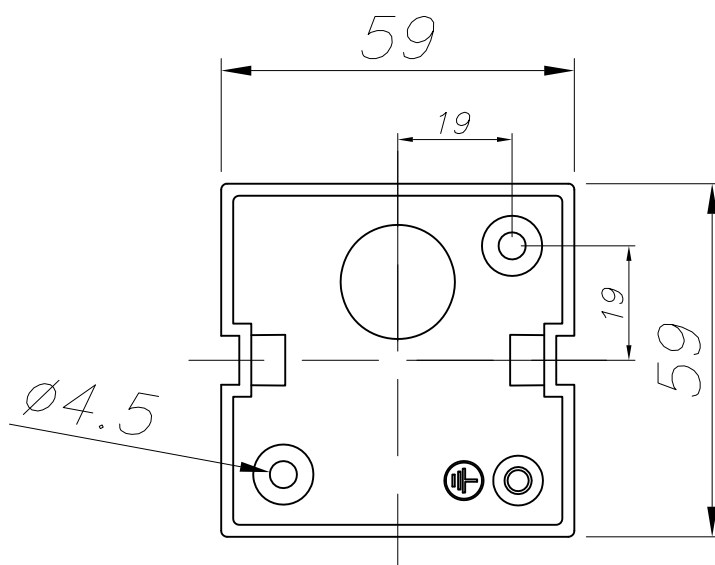
LOR	99.99999 %
ULOR	0.00000 %
DLOR	99.99999 %
UFF	0.00000 %
DFF	100.00000 %
FFR	0.00000 %



Zonal Flux				
Gamma °	Flux	Sum lm	Flux [%]	Sum [%]
0°	0.00	0.00	0.00%	0.00 %
5°	12.38	12.38	1.24 %	1.24 %
10°	36.96	49.34	3.70 %	4.93 %
15°	60.73	110.07	6.07 %	11.01 %
20°	82.90	192.98	8.29 %	19.30 %
25°	102.74	295.72	10.27 %	29.57 %
30°	119.48	415.20	11.95 %	41.52 %
35°	131.13	546.33	13.11 %	54.63 %
40°	127.67	674.00	12.77 %	67.40 %
45°	105.06	779.06	10.51 %	77.91 %
50°	81.72	860.77	8.17 %	86.08 %
55°	65.90	926.68	6.59 %	92.67 %
60°	36.87	963.54	3.69 %	96.35 %
65°	12.32	975.86	1.23 %	97.59 %
70°	9.21	985.07	0.92 %	98.51 %
75°	7.00	992.07	0.70 %	99.21 %
80°	4.54	996.61	0.45 %	99.66 %
85°	2.35	998.95	0.23 %	99.90 %
90°	1.05	1000.00	0.10 %	100.00 %
95°	0.00	1000.00	0.00 %	100.00 %
100°	0.00	1000.00	0.00 %	100.00 %
105°	0.00	1000.00	0.00 %	100.00 %
110°	0.00	1000.00	0.00 %	100.00 %
115°	0.00	1000.00	0.00 %	100.00 %
120°	0.00	1000.00	0.00 %	100.00 %
125°	0.00	1000.00	0.00 %	100.00 %
130°	0.00	1000.00	0.00 %	100.00 %
135°	0.00	1000.00	0.00 %	100.00 %
140°	0.00	1000.00	0.00 %	100.00 %
145°	0.00	1000.00	0.00 %	100.00 %
150°	0.00	1000.00	0.00 %	100.00 %
155°	0.00	1000.00	0.00 %	100.00 %
160°	0.00	1000.00	0.00 %	100.00 %
165°	0.00	1000.00	0.00 %	100.00 %
170°	0.00	1000.00	0.00 %	100.00 %
175°	0.00	1000.00	0.00 %	100.00 %
180°	0.00	1000.00	0.00 %	100.00 %

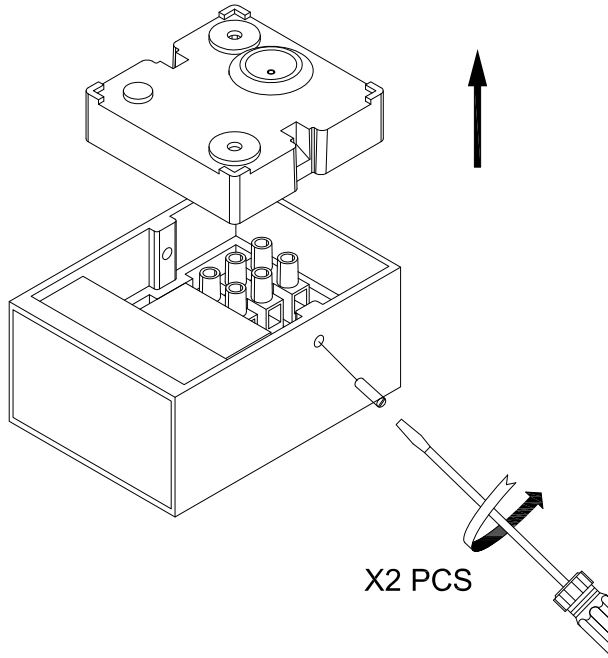
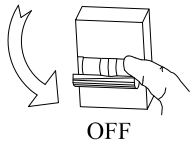


ALUMINIO INYECTADO
INJECTED ALUMINIUM

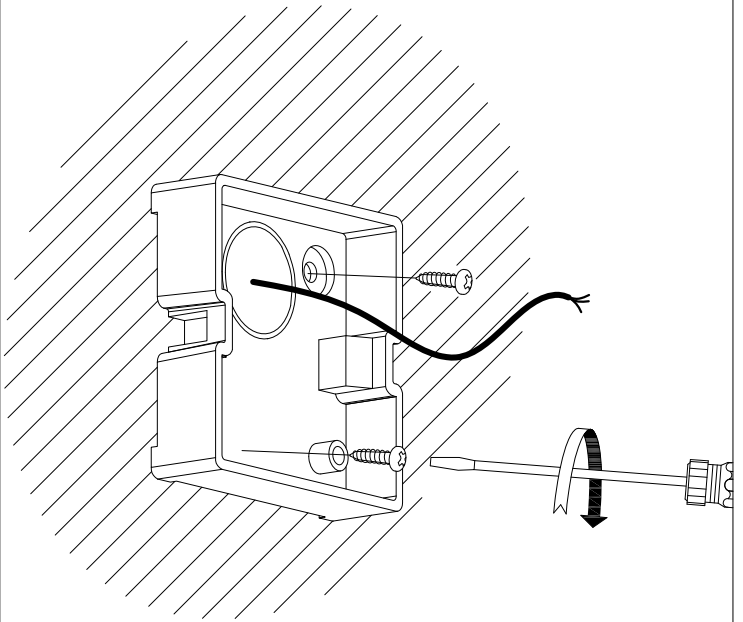


PLANTILLA DE INSTALACIÓN
INSTALLATION TEMPLATE

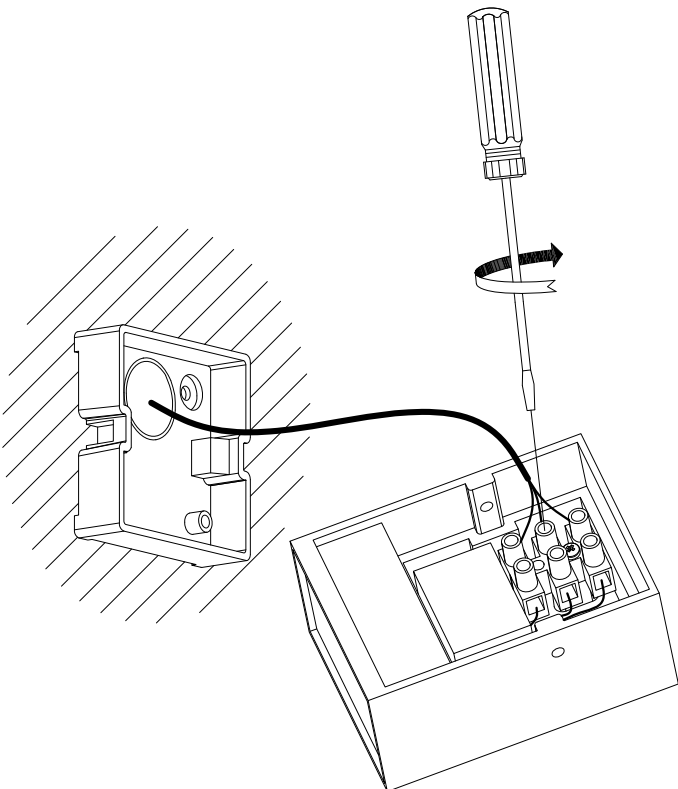
①



②



③



④

