

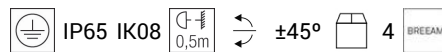
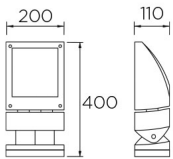
POMPEYA Spotlight



Description

Spotlight/floodlight with body produced in injected aluminium, with a tempered glass diffuser. Available for G12 HID (35W, 70W and 150W) light source and for compact fluorescent lamps (2 x GX24q-3 26W). Electrical components included. Discharge version includes 2 reflectors of 16° and 60°. Finished in light grey. Rotatable.

	Finish	Material
Structure	Grey	Aluminium
Diffuser	Glass	



TECHNICAL CHARACTERISTICS

Light source

Lampholder: 1 x G12
 Light source power (W): MAX 150W
 Real Lumen: 11881
 Quantity: 1
 Lm/Real W: 79
 UGR: 24.5
 Recommended lamp: G12

GEAR

Gear included: Yes, electronic
 Voltage / Frequency:
 220-240VAC/50-60Hz

Luminaire

Seaside: No
 Warranty: 2 Years

Logistics

Energy Efficiency: A+
 EAN Code: 8435111088975
 Net Weight (Kg): 4.21
 Weight in Kg (packaged): 4.5
 Packing: 210 x 125 x 420
 Masterbox: 4

The photograph may not match the reference exactly. Please read the product description to identify the finish.

OPTIONAL ACCESSORIES



71-9291-34-34

Structure material: Steel
Dimensions: 60 x x



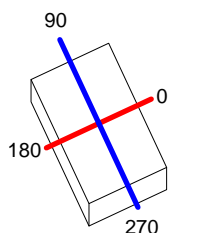
71-9292-34-34

Structure material: Steel
Dimensions: 60 x x
Net Weight (Kg): 3.37

Luminaire		Measur.		Lamp		
Code	05-9539 BRILLO	Code	05-9537 BRILLO	Code	CDM-T150W/830	
Name	Proyector 150W CDM-T brillo	Name	Proyector 150W CDM-T brillo	Number	1	
Line	Eulumdat	Date	14-11-2011	Position		
Efficiency	84.86%	Coordinate system	CG	Total Flux	14000.00 lm	
Maximum value	74350.28 cd	Position	C=0.00 G=0.00	Double Symmetrical		
Rectangular Luminaire	Length	320 mm	Width	200 mm	Height	110 mm
Round Luminous Area	Diam.	160 mm	Height	0 mm		
Horizontal Luminous Area	0.020106 m2	Emitting area on Plane 180°		0.000000 m2		
Emitting area on Plane 0°	0.000000 m2	Emitting area on Plane 270°		0.000000 m2		
Emitting area on Plane 90°	0.000000 m2	Glare area at 76°		0.004864 m2		
Symmetry Type	Double Symmetrical	Maximum Gamma Angle		180		
Measurement Distance	0.00	Measurement Flux		14000.00 lm		
Operator	Asselum T2	Source voltage				
Temperature	25.00 °C	Source current				
Humidity	60.00 %	Photocell				
Notes						

Luminaire Lamps					
Line	Code	Name	Flux [lm]	Pow. [W]	Q.ty
Eulumdat	CDM-T150W/830	CDM-T150W/830 - 147.00 W	14000.00	147.00	1
C.I.E.	80 96 100 100 85	D DIN 5040	A60		
F UTE	0.85 B	B NBN	BZ 1		

320mm x 200mm



C Halfplanes

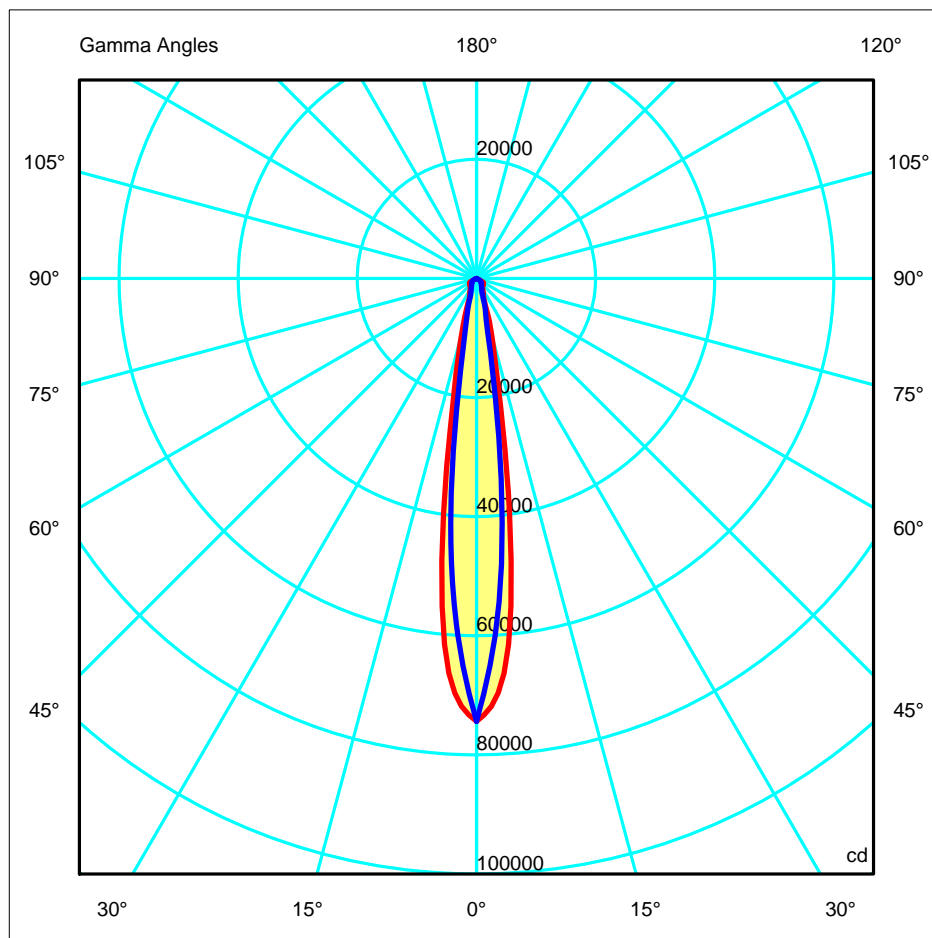
180.0 — 0.0 (Red line)

270.0 — 90.0 (Blue line)

ULOR 0.00 %

DLOR 84.86 %

RN 0.01 %



Luminaire

Code 05-9539 BRILLO
 Name Projector 150W CDM-T brillo
 Line Eulumdat

Measur.

Code 05-9537 BRILLO
 Name Projector 150W CDM-T brillo
 Date 14-11-2011

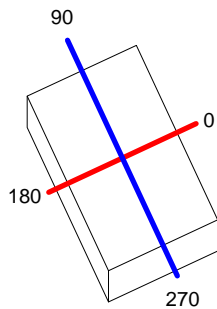
Lamp

Code CDM-T150W/830
 Number 1
 Position

Efficiency 84.86% Coordinate system CG Total Flux 14000.00 lm

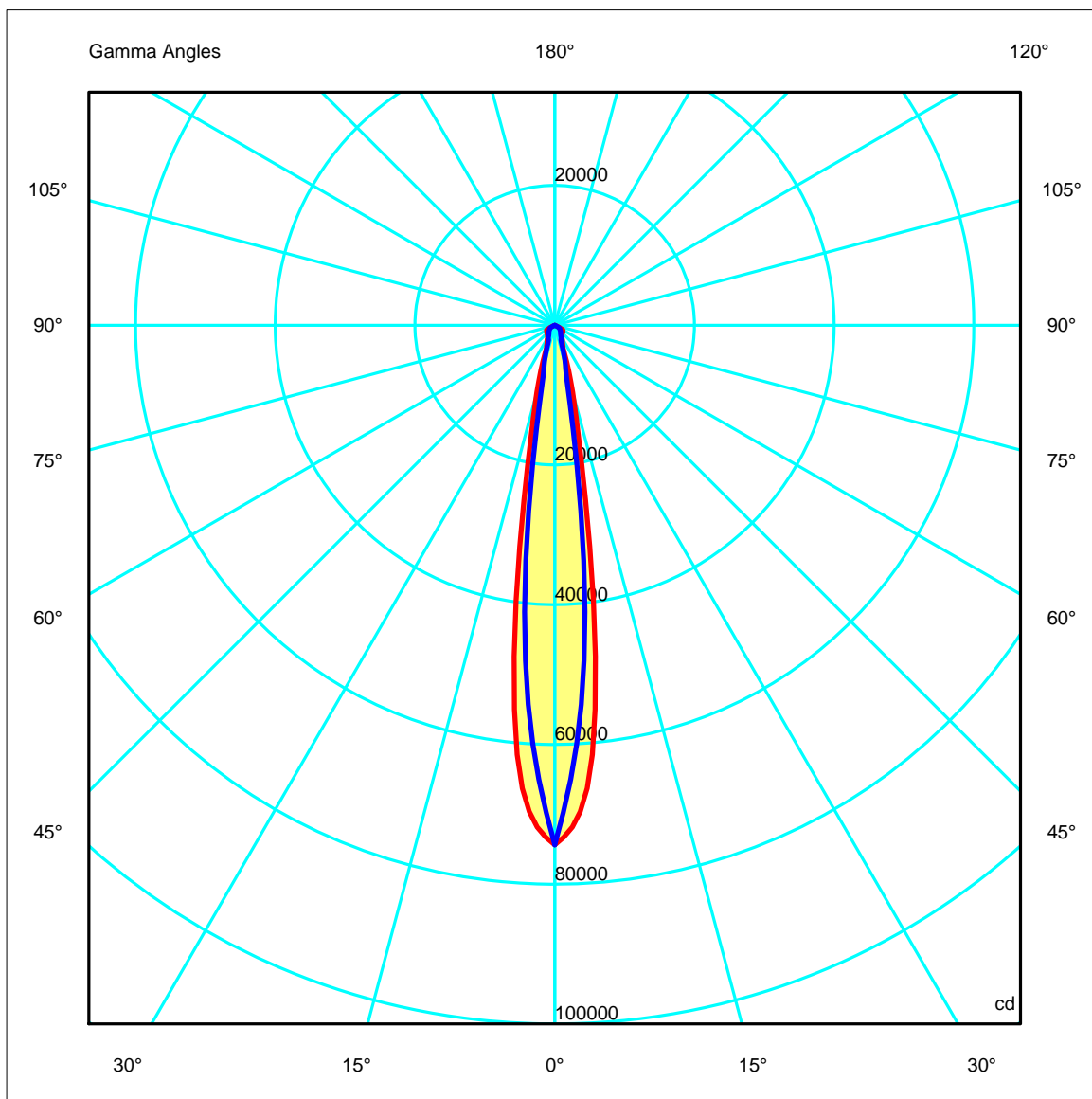
320mm x 200mm

C Halfplanes



180.0 ————— 0.0

270.0 ————— 90.0

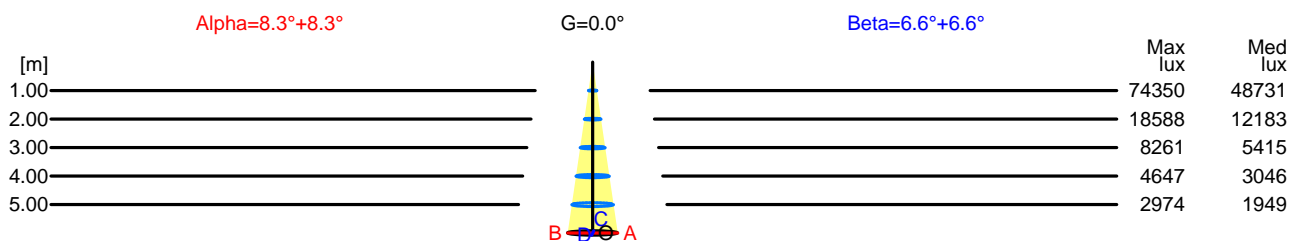


Luminaire		Measur.		Lamp	
Code	05-9539 BRILLO	Code	05-9537 BRILLO	Code	CDM-T150W/830
Name	Projector 150W CDM-T brillo	Name	Projector 150W CDM-T brillo	Number	1
Line	Eulumdat	Date	14-11-2011	Position	
Efficiency	84.86%	Coordinate system	CG	Total Flux	14000.00 lm

Width at 50.00 % of Max Intensity

H[m]	1.00	2.00	3.00	4.00	5.00	H[m]	1.00	2.00	3.00	4.00	5.00
OA	0.15	0.29	0.44	0.59	0.73	OC	0.11	0.23	0.34	0.46	0.57
OB	0.15	0.29	0.44	0.59	0.73	OD	0.11	0.23	0.34	0.46	0.57

	Luminous Intensities [cd]									
	0	5	15	25	35	45	55	65	75	85
OA	74350.28	61678.06	9895.17	2519.33	1810.27	1542.49	1413.12	385.44	33.57	10.65
OB	74350.28	61678.06	9895.17	2519.33	1810.27	1542.49	1413.12	385.44	33.57	10.65
OC	74350.28	48163.85	5861.77	2139.73	1431.92	1152.08	909.12	221.99	25.82	6.06
OD	74350.28	48163.85	5861.77	2139.73	1431.92	1152.08	909.12	221.99	25.82	6.06



H[m]	D[m]	Max lux	Med lux	Alpha=8.3°+8.3°	G=0.0	
1.00	0.29	74350	48731			
2.00	0.59	18588	12183			
3.00	0.88	8261	5415			
4.00	1.17	4647	3046			
5.00	1.47	2974	1949			

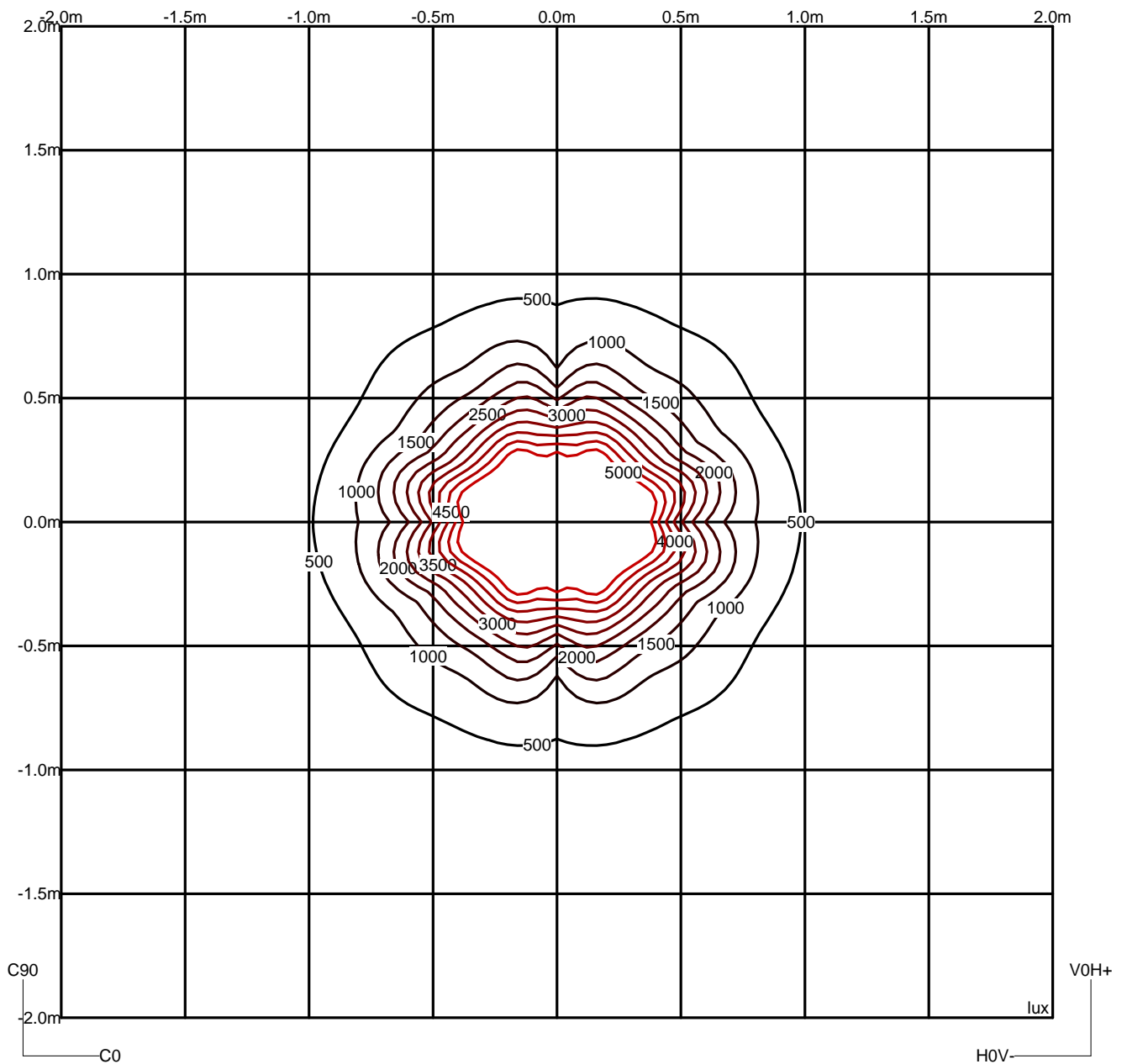
H[m]	D[m]	Max lux	Med lux	Beta=6.6°+6.6°	G=0.0	
1.00	0.23	74350	48731			
2.00	0.46	18588	12183			
3.00	0.69	8261	5415			
4.00	0.92	4647	3046			
5.00	1.15	2974	1949			

Luminaire	Measur.	Lamp
Code 05-9539 BRILLO	Code 05-9537 BRILLO	Code CDM-T150W/830
Name Proyector 150W CDM-T brillo	Name Proyector 150W CDM-T brillo	Number 1
Line Eulumat	Date 14-11-2011	Position

Efficiency 84.86%	Coordinate system CG	Total Flux 14000.00 lm
-------------------	----------------------	------------------------

Isolux (Floor)

Luminaire position X=0.00m Y=0.00m Z=3.00m



Luminaire

Code 05-9539 BRILLO
 Name Proyector 150W CDM-T brillo
 Line Eulumdat

Measur.

Code 05-9537 BRILLO
 Name Proyector 150W CDM-T brillo
 Date 14-11-2011

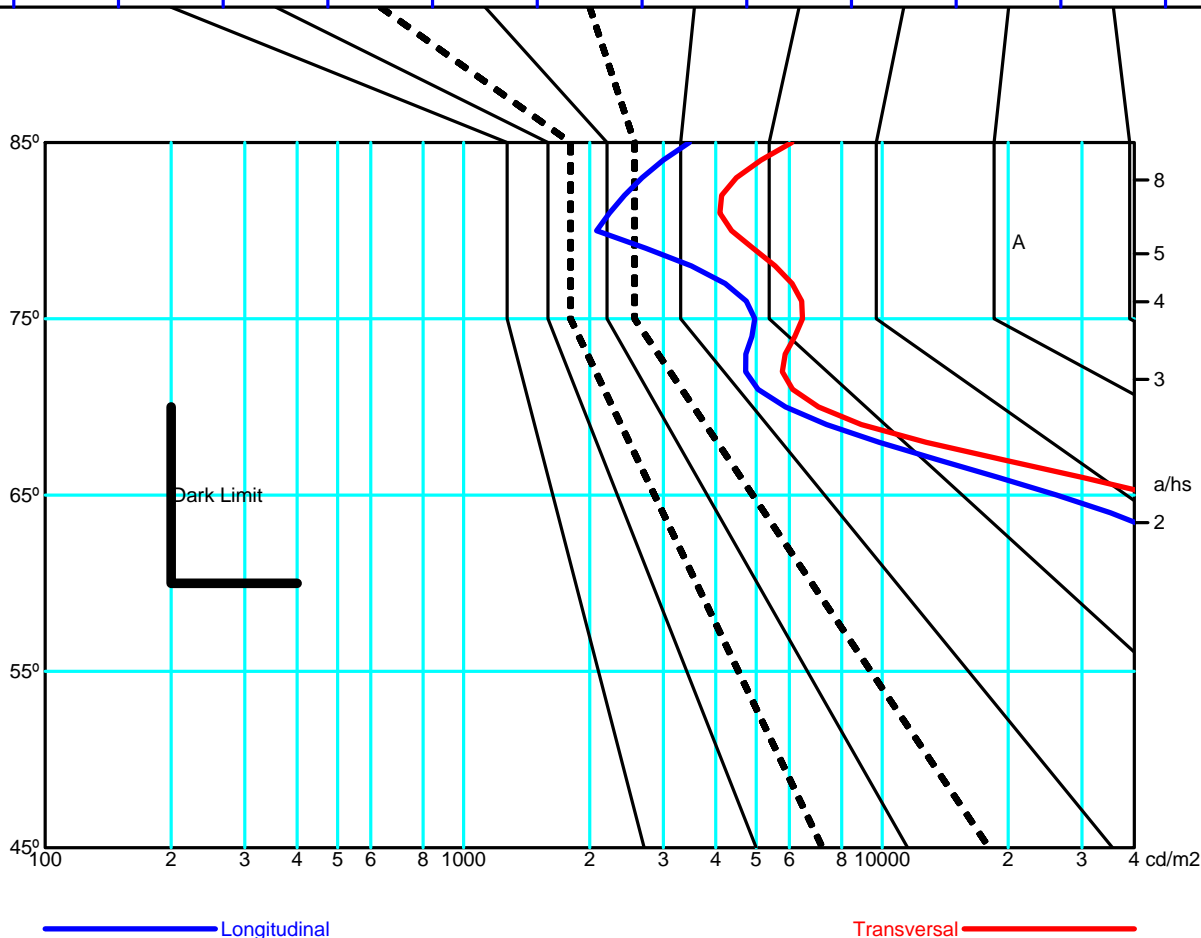
Lamp

Code CDM-T150W/830
 Number 1
 Position

Efficiency 84.86% Coordinate system CG Total Flux 14000.00 lm

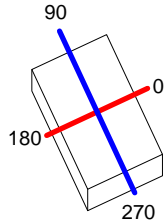
		Average Luminance [cd/m ²]										
		0.0°	45°	50°	55°	60°	65°	70°	75°	80°	85°	
0.0°		108495	111884	122536	135810	45361	7041	6451	4368	6079	---	
90.0°		81035	75351	78832	70226	26126	5873	4962	2078	3459	---	

Flush mounted or longitudinal view												
		Illumination(lx)										
A	A	2000	1000	750	500		<300					1.15
B	1		2000	1500	1000	750	500	<300				1.5
C					2000		1000	500	<300			1.85
D	2						2000	1000	500	<300		2.2
E	3							2000	1000	500	<300	2.55



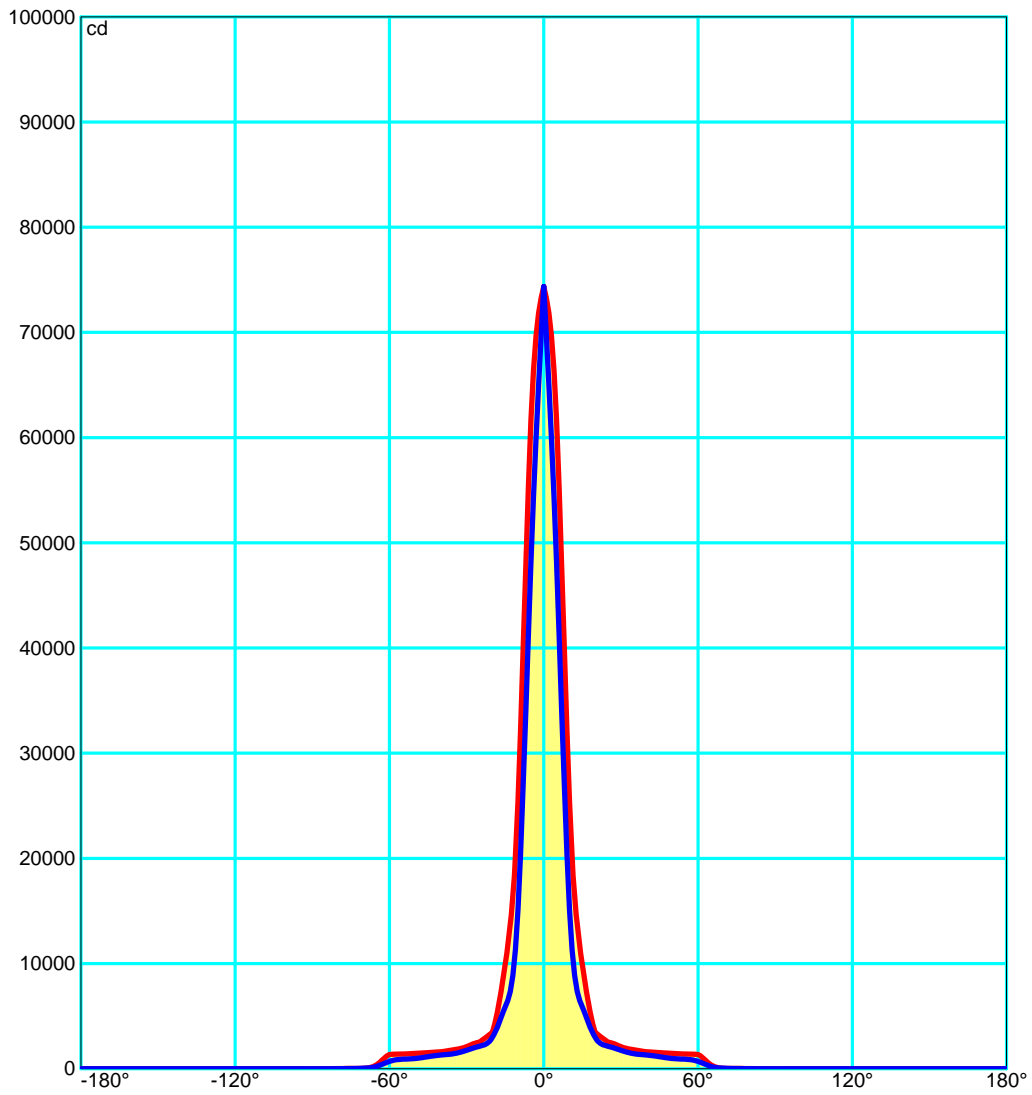
Luminaire		Measur.		Lamp	
Code	05-9539 BRILLO	Code	05-9537 BRILLO	Code	CDM-T150W/830
Name	Proyector 150W CDM-T brillo	Name	Proyector 150W CDM-T brillo	Number	1
Line	Eulumdat	Date	14-11-2011	Position	
Efficiency	84.86%	Coordinate system	CG	Total Flux	14000.00 lm

320mm x 200mm



C Halfplanes

180.0 ———— 0.0
 270.0 ———— 90.0



Luminaire		Measur.		Lamp	
Code	05-9539 BRILLO	Code	05-9537 BRILLO	Code	CDM-T150W/830
Name	Proyector 150W CDM-T brillo	Name	Proyector 150W CDM-T brillo	Number	1
Line	Eulumdat	Date	14-11-2011	Position	
Efficiency	84.86%	Coordinate system	CG	Total Flux	14000.00 lm

UGR
S = 0.250

Reflectancies										
Ceiling/Cavity	0.7	0.7	0.5	0.5	0.3	0.7	0.7	0.5	0.5	0.3
Walls	0.5	0.3	0.5	0.3	0.3	0.5	0.3	0.5	0.3	0.3
WorkingPlane	0.2	0.2	0.2	0.2	0.2	0.2	0.2	0.2	0.2	0.2
RoomDimensions	ViewedCrosswise					ViewedEndwise				
x=2H y=2H	26.9	27.8	27.2	28.0	26.0	24.7	25.6	25.0	25.8	26.0
x=2H y=3H	26.9	27.7	27.2	27.9	26.0	24.7	25.5	25.0	25.8	26.0
x=2H y=4H	26.8	27.5	27.1	27.8	25.9	24.7	25.4	25.0	25.7	25.9
x=2H y=6H	26.7	27.4	27.1	27.7	25.9	24.6	25.3	24.9	25.6	25.9
x=2H y=8H	26.7	27.4	27.0	27.6	25.8	24.6	25.2	24.9	25.5	25.8
x=2H y=12H	26.7	27.3	27.0	27.6	25.8	24.5	25.2	24.9	25.5	25.8
x=4H y=2H	27.2	28.0	27.5	28.2	26.7	25.4	26.2	25.8	26.4	26.7
x=4H y=3H	27.2	27.8	27.5	28.1	26.7	25.5	26.1	25.8	26.4	26.7
x=4H y=4H	27.1	27.6	27.5	28.0	26.6	25.4	25.9	25.8	26.3	26.6
x=4H y=6H	27.0	27.5	27.5	27.9	26.5	25.3	25.8	25.8	26.2	26.5
x=4H y=8H	27.0	27.4	27.4	27.8	26.5	25.3	25.7	25.7	26.1	26.5
x=4H y=12H	27.0	27.3	27.4	27.7	26.5	25.3	25.6	25.7	26.0	26.5
x=8H y=4H	27.0	27.4	27.4	27.8	26.5	25.3	25.7	25.7	26.1	26.5
x=8H y=6H	26.9	27.2	27.4	27.7	26.4	25.2	25.5	25.7	26.0	26.4
x=8H y=8H	26.9	27.2	27.4	27.6	26.4	25.2	25.5	25.7	25.9	26.4
x=8H y=12H	26.9	27.1	27.3	27.6	26.4	25.2	25.4	25.6	25.9	26.4
x=12H y=4H	27.0	27.3	27.4	27.7	26.5	25.3	25.6	25.7	26.0	26.5
x=12H y=6H	26.9	27.2	27.4	27.6	26.4	25.2	25.5	25.7	25.9	26.4
x=12H y=8H	26.9	27.1	27.3	27.6	26.3	25.2	25.4	25.6	25.9	26.3

Luminaire	Measur.	Lamp
Code 05-9539 BRILLO	Code 05-9537 BRILLO	Code CDM-T150W/830
Name Proyector 150W CDM-T brillo	Name Proyector 150W CDM-T brillo	Number 1
Line Eulumdat	Date 14-11-2011	Position

Efficiency 84.86%	Coordinate system CG	Total Flux 14000.00 lm
-------------------	----------------------	------------------------

Total Flux=14000.00 Luminaire Flux=11880.99

RI	0.60	0.80	1.00	1.25	1.50	2.00	2.50	3.00	4.00	5.00	10.00	20.00
DRR	0.57	0.64	0.70	0.75	0.79	0.85	0.89	0.92	0.94	0.96	0.99	1.00
RC	-	-	-	1	1	-	-	-	-	-	-	-

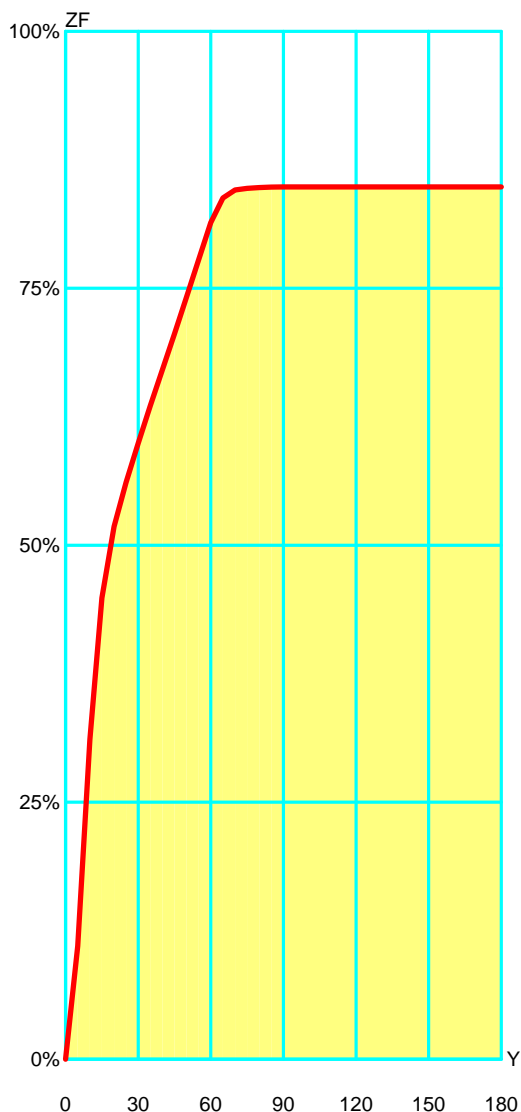
Zonal Flux per 1000 Lumen

Y°	10	20	30	40	50	60	70	80	90	100	110	120	130	140	150	160	170	180	
ZF(Y)	311	518	599	671	742	814	846	848	849	849	849	849	849	849	849	849	849	849	849

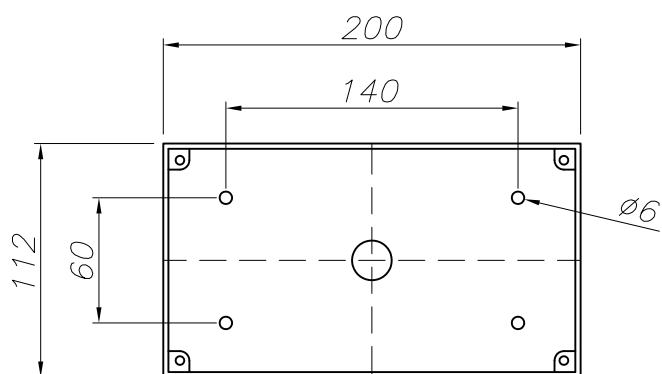
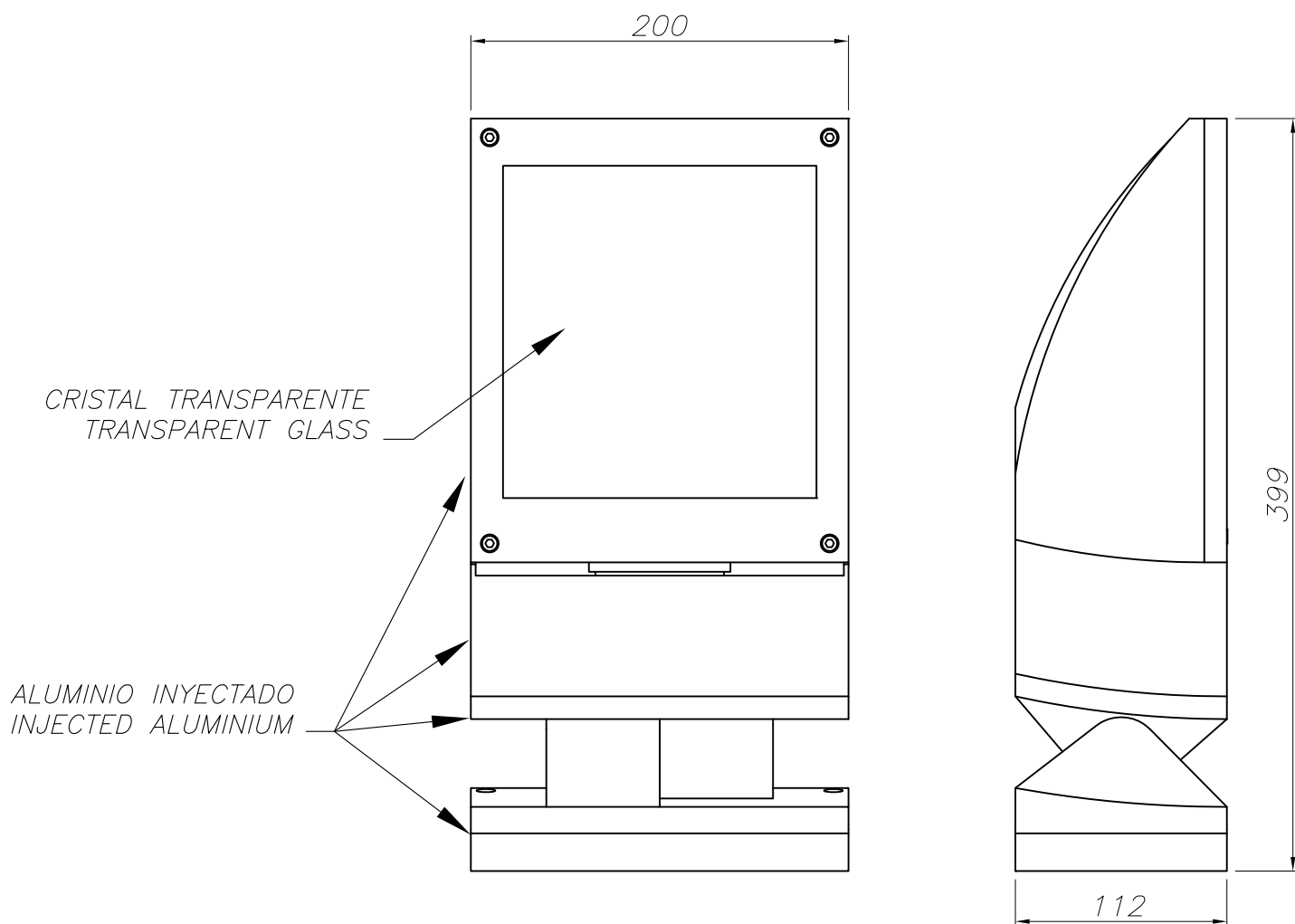
CIE Flux Codes

80 96 100 100 85

C.I.E.	-/-/1/1/-/-/-/-/-	LOR	84.86420 %
D DIN 5040	A60	ULOR	0.00459 %
F UTE	0.85 B	DLOR	84.85961 %
B NBN	BZ 1	UFF	0.00541 %
RN	0.00541 %	DFF	99.99459 %
BLF	1.0	FFR	0.00541 %



Zonal Flux				
Gamma °	Flux	Sum lm	Flux [%]	Sum [%]
0°	0.00	0.00	0.00%	0.00%
5°	110.05	110.05	12.97%	12.97%
10°	201.00	311.05	23.68%	36.65%
15°	137.74	448.79	16.23%	52.88%
20°	69.40	518.19	8.18%	61.06%
25°	42.99	561.18	5.07%	66.13%
30°	38.10	599.28	4.49%	70.62%
35°	36.31	635.59	4.28%	74.90%
40°	35.16	670.75	4.14%	79.04%
45°	35.17	705.92	4.14%	83.18%
50°	35.68	741.59	4.20%	87.39%
55°	36.53	778.13	4.30%	91.69%
60°	35.83	813.95	4.22%	95.91%
65°	23.95	837.91	2.82%	98.73%
70°	7.72	845.62	0.91%	99.64%
75°	1.63	847.25	0.19%	99.84%
80°	0.74	848.00	0.09%	99.92%
85°	0.40	848.40	0.05%	99.97%
90°	0.20	848.60	0.02%	99.99%
95°	0.05	848.64	0.01%	100.00%
100°	0.00	848.64	0.00%	100.00%
105°	0.00	848.64	0.00%	100.00%
110°	0.00	848.64	0.00%	100.00%
115°	0.00	848.64	0.00%	100.00%
120°	0.00	848.64	0.00%	100.00%
125°	0.00	848.64	0.00%	100.00%
130°	0.00	848.64	0.00%	100.00%
135°	0.00	848.64	0.00%	100.00%
140°	0.00	848.64	0.00%	100.00%
145°	0.00	848.64	0.00%	100.00%
150°	0.00	848.64	0.00%	100.00%
155°	0.00	848.64	0.00%	100.00%
160°	0.00	848.64	0.00%	100.00%
165°	0.00	848.64	0.00%	100.00%
170°	0.00	848.64	0.00%	100.00%
175°	0.00	848.64	0.00%	100.00%
180°	0.00	848.64	0.00%	100.00%



PLANTILLA DE INSTALACIÓN
INSTALLATION TEMPLATE

