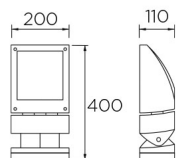


## POMPEYA

## 05-9538-34-37

Spotlight/floodlight with body produced in injected aluminium, with a tempered glass diffuser. Available for G12 HID (35W, 70W and 150W) light source and for compact fluorescent lamps (2 x GX24q-3 26W). Electrical components included. Discharge version includes 2 reflectors of 16° and 60°. Finished in light grey. Rotatable.

### TECHNICAL FEATURES



IP65 IK08



±40°



**Power (W)** : Max. power 70W

**Raw lumens** : 5601

**Raw lm/W** : 80

**Structure material** : Aluminium

**Structure finish** : Grey

**Diffuser material** : Glass

**Recommended light bulb** : G12

**Equipment included** : Yes, electronic

**Voltage / frequency** : 220-240VAC/50-60Hz

**Warranty** : 2 Years

**Max. temperature** : 25°C

**Seaside** : No

**Energy efficiency** : A+

### LUMINOTECHNIC FEATURES

**Lampholder**: 1 x G12

### LOGISTICS

**Net weight (kg)**: 4.23

**Packaged weight (kg)**: 4.66

**Packaging**: 210mm x 125mm x 420mm



4 Un



71-9291-34-34

Structure material: Steel  
Dimensions: 60 x x



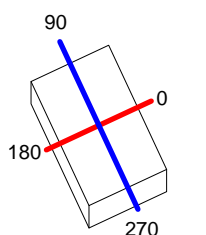
71-9292-34-34

Structure material: Steel  
Dimensions: 60 x x  
Net weight (kg): 3.37

<b>Luminaire</b>		<b>Measur.</b>		<b>Lamp</b>		
Code	05-9538 BRILLO	Code	05-9537 BRILLO	Code	CDM-T70W/830	
Name	Proyector 70W CDM-T ref brillo	Name	Proyector 70W CDM-T ref brillo	Number	1	
Line	Eulumdat	Date	14-11-2011	Position		
Efficiency	84.86%	Coordinate system	CG	Total Flux	6600.00 lm	
Maximum value	35050.85 cd	Position	C=0.00 G=0.00	Double Symmetrical		
Rectangular Luminaire	Length	320 mm	Width	200 mm	Height	110 mm
Round Luminous Area	Diam.	160 mm	Height	0 mm		
Horizontal Luminous Area	0.020106 m2	Emitting area on Plane 180°		0.000000 m2		
Emitting area on Plane 0°	0.000000 m2	Emitting area on Plane 270°		0.000000 m2		
Emitting area on Plane 90°	0.000000 m2	Glare area at 76°		0.004864 m2		
Symmetry Type	Double Symmetrical	Maximum Gamma Angle		180		
Measurement Distance	0.00	Measurement Flux		6600.00 lm		
Operator	Asselum T2	Source voltage				
Temperature	25.00 °C	Source current				
Humidity	60.00 %	Photocell				
Notes						

Luminaire Lamps					
Line	Code	Name	Flux [lm]	Pow. [W]	Q.ty
Eulumdat	CDM-T70W/830	CDM-T70W/830 - 71.00 W	6600.00	71.00	1
C.I.E.	80 96 100 100 85	D DIN 5040	A60		
F UTE	0.85 B	B NBN	BZ 1		

320mm x 200mm



**C Halfplanes**

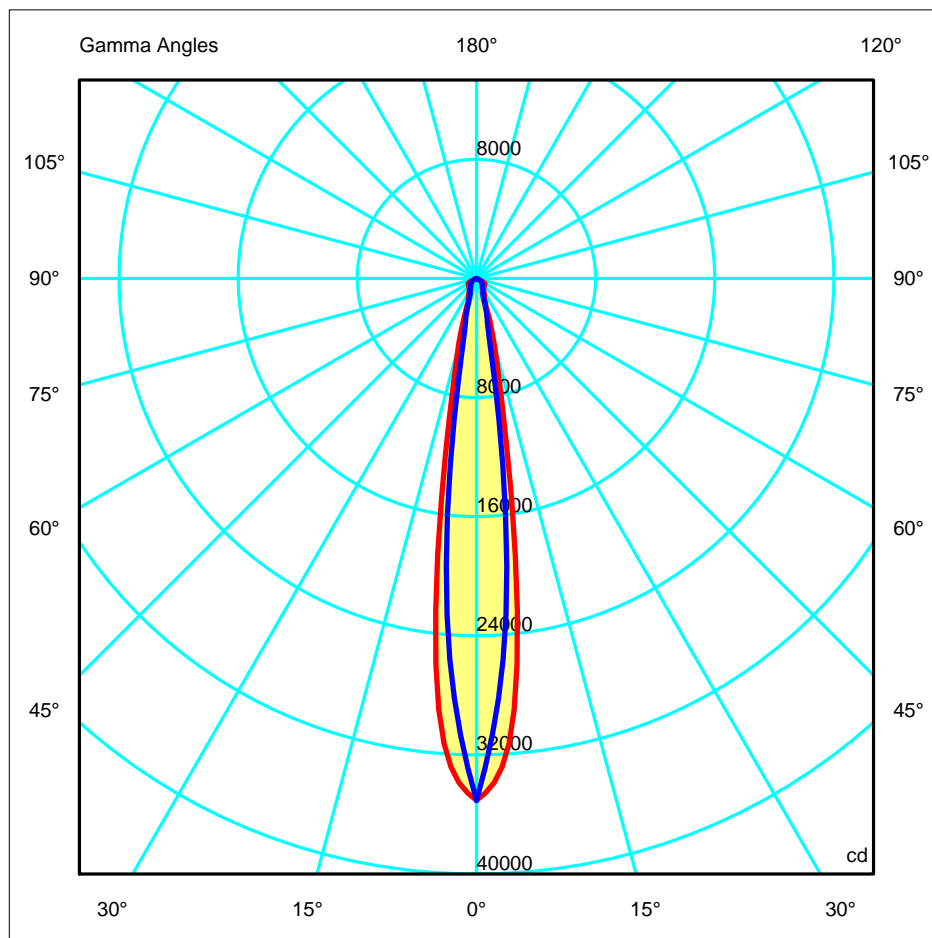
180.0 — 0.0 (Red line)

270.0 — 90.0 (Blue line)

ULOR 0.00 %

DLOR 84.86 %

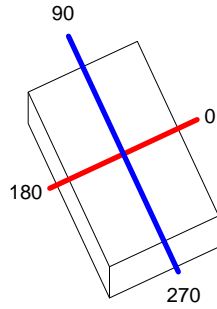
RN 0.01 %



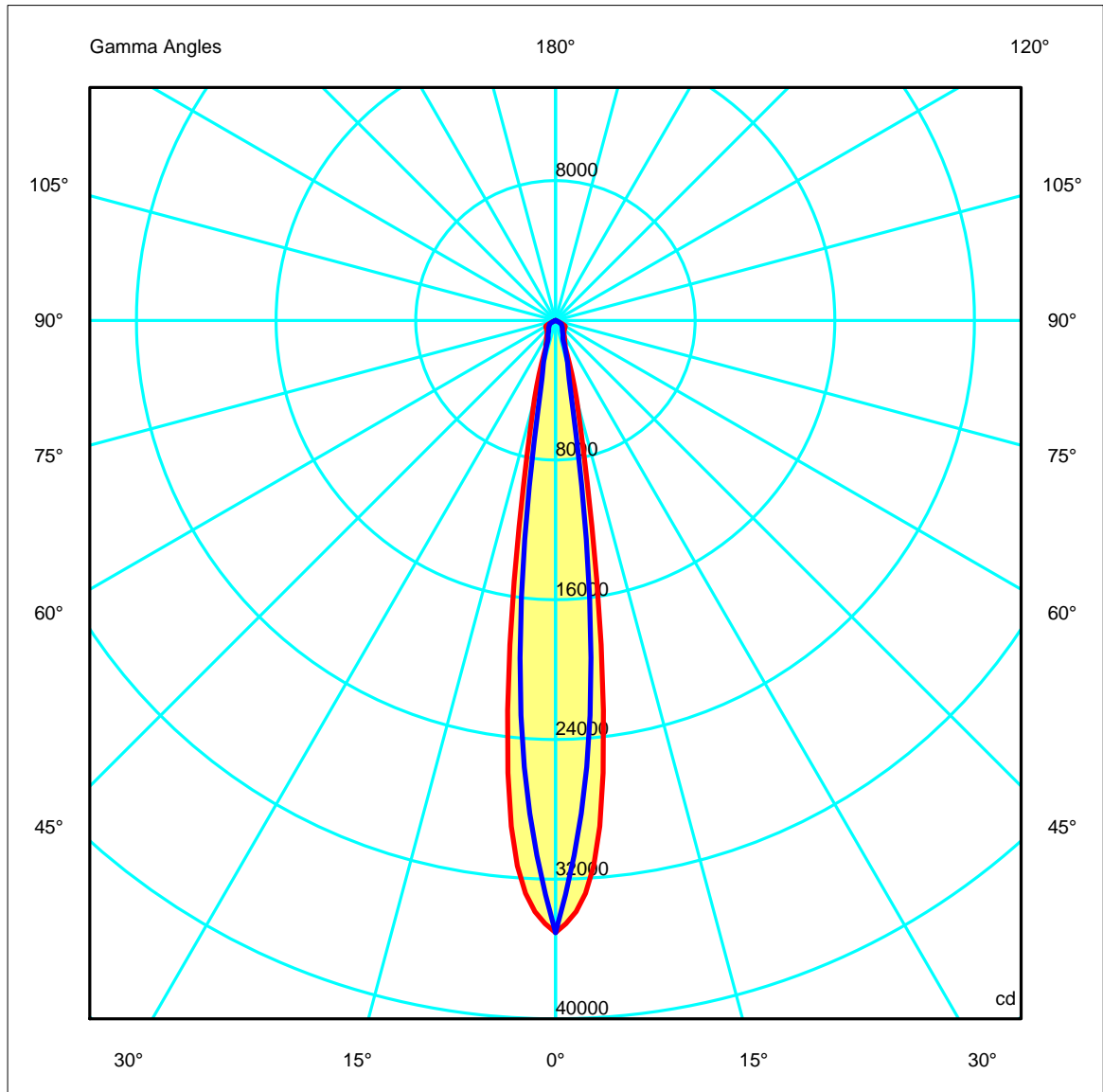
<b>Luminaire</b>		<b>Measur.</b>		<b>Lamp</b>	
Code	05-9538 BRILLO	Code	05-9537 BRILLO	Code	CDM-T70W/830
Name	Proyector 70W CDM-T ref brillo	Name	Proyector 70W CDM-T ref brillo	Number	1
Line	Eulmdat	Date	14-11-2011	Position	
Efficiency	84.86%	Coordinate system	CG	Total Flux	6600.00 lm

320mm x 200mm

C Halfplanes



180.0 ——— 0.0  
 270.0 ——— 90.0

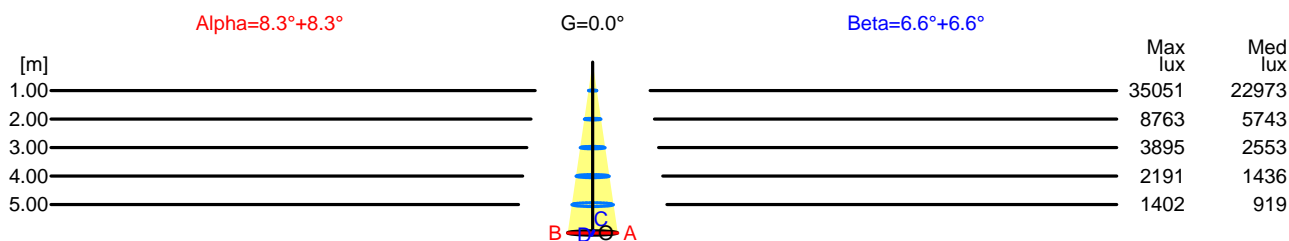


<b>Luminaire</b>		<b>Measur.</b>		<b>Lamp</b>	
Code	05-9538 BRILLO	Code	05-9537 BRILLO	Code	CDM-T70W/830
Name	Projector 70W CDM-T ref brillo	Name	Projector 70W CDM-T ref brillo	Number	1
Line	Eulumdat	Date	14-11-2011	Position	
Efficiency	84.86%	Coordinate system	CG	Total Flux	6600.00 lm

Width at 50.00 % of Max Intensity

H[m]	1.00	2.00	3.00	4.00	5.00	H[m]	1.00	2.00	3.00	4.00	5.00
OA	0.15	0.29	0.44	0.59	0.73	OC	0.11	0.23	0.34	0.46	0.57
OB	0.15	0.29	0.44	0.59	0.73	OD	0.11	0.23	0.34	0.46	0.57

	Luminous Intensities [ cd ]									
	0	5	15	25	35	45	55	65	75	85
OA	35050.85	29076.80	4664.87	1187.68	853.41	727.17	666.19	181.71	15.83	5.02
OB	35050.85	29076.80	4664.87	1187.68	853.41	727.17	666.19	181.71	15.83	5.02
OC	35050.85	22705.81	2763.40	1008.73	675.05	543.12	428.59	104.65	12.17	2.86
OD	35050.85	22705.81	2763.40	1008.73	675.05	543.12	428.59	104.65	12.17	2.86



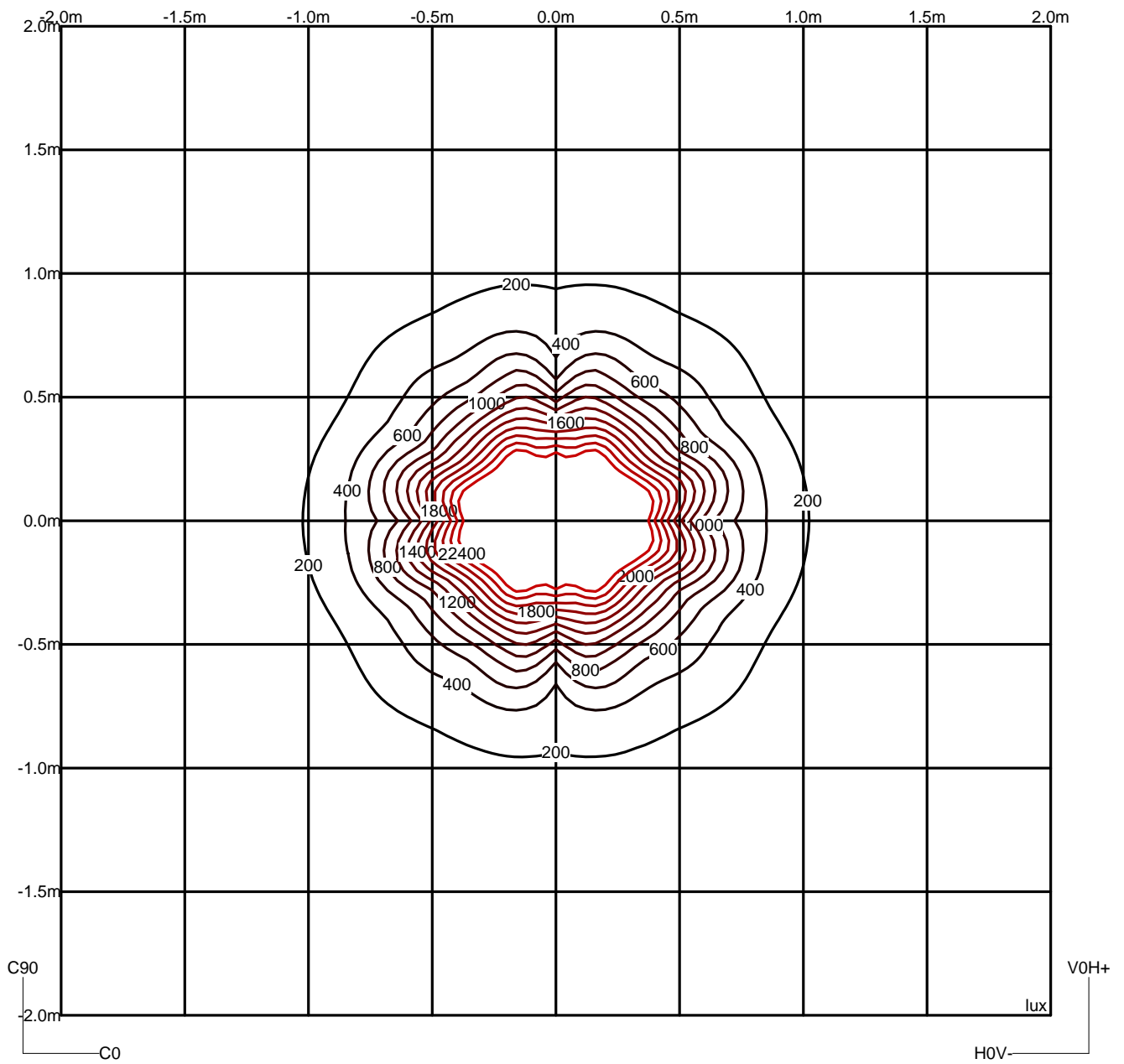
H[m]	D[m]	Max lux	Med lux	Alpha=8.3°+8.3°	G=0.0	
1.00	0.29	35051	22973			
2.00	0.59	8763	5743			
3.00	0.88	3895	2553			
4.00	1.17	2191	1436			
5.00	1.47	1402	919			

H[m]	D[m]	Max lux	Med lux	Beta=6.6°+6.6°	G=0.0	
1.00	0.23	35051	22973			
2.00	0.46	8763	5743			
3.00	0.69	3895	2553			
4.00	0.92	2191	1436			
5.00	1.15	1402	919			

<b>Luminaire</b>		<b>Measur.</b>		<b>Lamp</b>	
Code	05-9538 BRILLO	Code	05-9537 BRILLO	Code	CDM-T70W/830
Name	Proyector 70W CDM-T ref brillo	Name	Proyector 70W CDM-T ref brillo	Number	1
Line	Eulumat	Date	14-11-2011	Position	
Efficiency	84.86%	Coordinate system	CG	Total Flux	6600.00 lm

Isolux (Floor)

Luminaire position X=0.00m Y=0.00m Z=3.00m



**Luminaire**

Code 05-9538 BRILLO  
 Name Projector 70W CDM-T ref brillo  
 Line Eulumdat

**Measur.**

Code 05-9537 BRILLO  
 Name Projector 70W CDM-T ref brillo  
 Date 14-11-2011

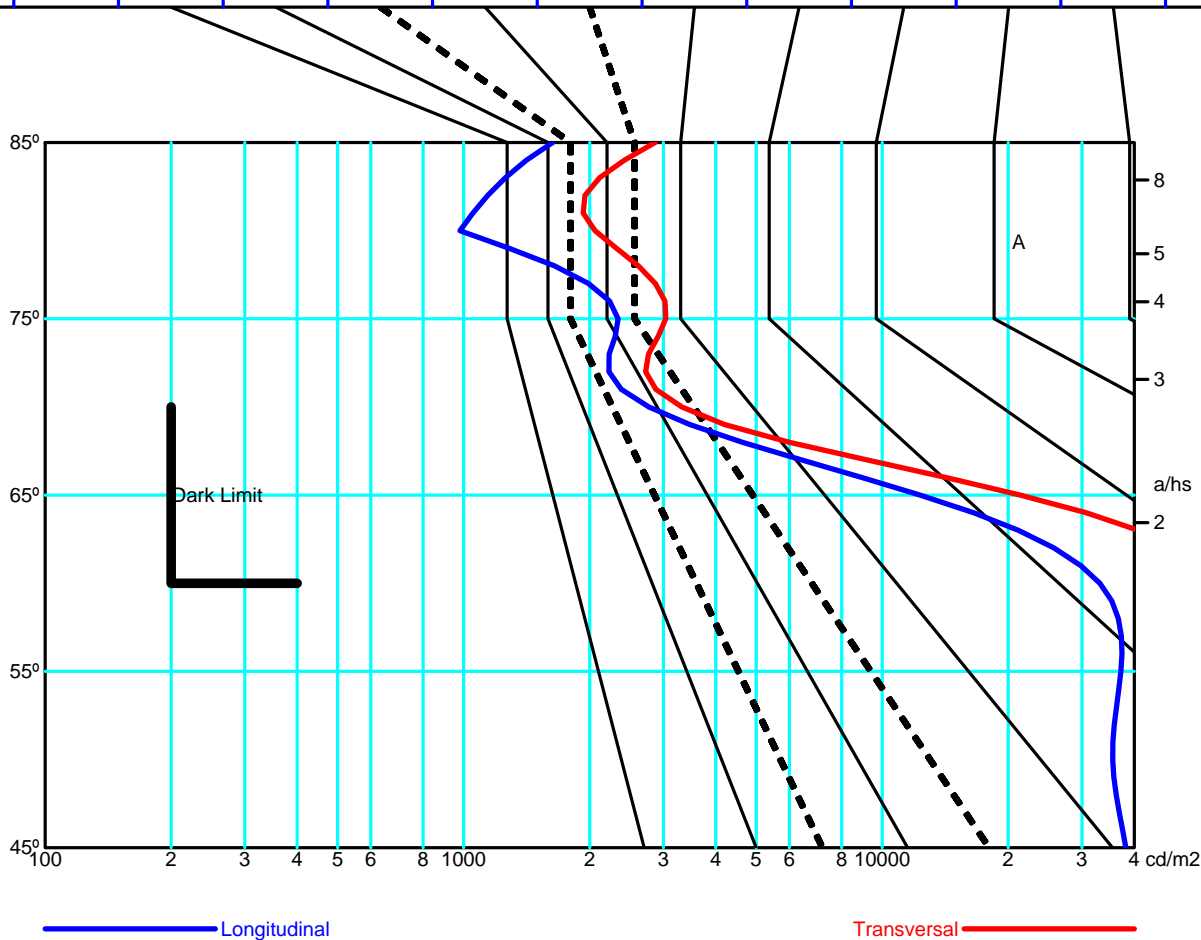
**Lamp**

Code CDM-T70W/830  
 Number 1  
 Position

Efficiency 84.86%      Coordinate system CG      Total Flux 6600.00 lm

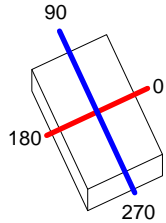
		Average Luminance [cd/m <sup>2</sup> ]										
		0.0°	45°	50°	55°	60°	65°	70°	75°	80°	85°	
90.0°		51148	52745	57767	64025	21384	3320	3041	2059	2866	---	
		38202	35523	37164	33106	12316	2769	2339	980	1631	---	

Flush mounted or longitudinal view												
		Illumination(lx)										
A	A	2000	1000	750	500		<300					1.15
B	1		2000	1500	1000	750	500	<300				1.5
C					2000		1000	500	<300			1.85
D	2						2000	1000	500	<300		2.2
E	3							2000	1000	500	<300	2.55



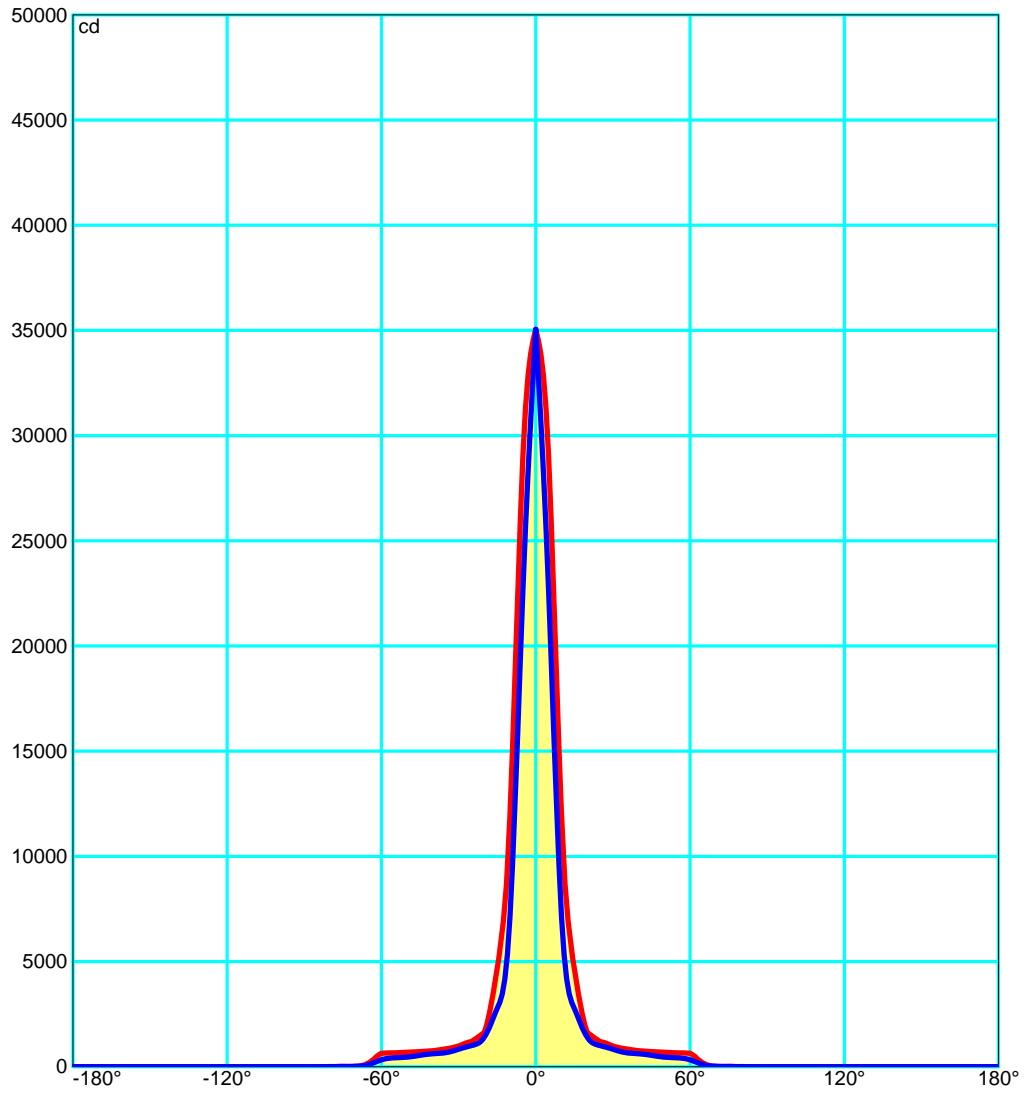
Luminaire		Measur.		Lamp	
Code	05-9538 BRILLO	Code	05-9537 BRILLO	Code	CDM-T70W/830
Name	Proyector 70W CDM-T ref brillo	Name	Proyector 70W CDM-T ref brillo	Number	1
Line	Eulumdat	Date	14-11-2011	Position	
Efficiency	84.86%	Coordinate system	CG	Total Flux	6600.00 lm

320mm x 200mm



C Halfplanes

180.0 ———— 0.0  
 270.0 ———— 90.0





<b>Luminaire</b>		<b>Measur.</b>		<b>Lamp</b>	
Code	05-9538 BRILLO	Code	05-9537 BRILLO	Code	CDM-T70W/830
Name	Proyector 70W CDM-T ref brillo	Name	Proyector 70W CDM-T ref brillo	Number	1
Line	Eulumat	Date	14-11-2011	Position	
Efficiency	84.86%	Coordinate system	CG	Total Flux	6600.00 lm

**UGR**  
S = 0.250

Reflectancies										
Ceiling/Cavity	0.7	0.7	0.5	0.5	0.3	0.7	0.7	0.5	0.5	0.3
Walls	0.5	0.3	0.5	0.3	0.3	0.5	0.3	0.5	0.3	0.3
WorkingPlane	0.2	0.2	0.2	0.2	0.2	0.2	0.2	0.2	0.2	0.2
RoomDimensions	ViewedCrosswise					ViewedEndwise				
x=2H y=2H	24.3	25.2	24.6	25.4	23.4	22.1	23.0	22.4	23.2	23.4
x=2H y=3H	24.3	25.0	24.5	25.3	23.4	22.1	22.9	22.4	23.1	23.4
x=2H y=4H	24.2	24.9	24.5	25.2	23.3	22.1	22.8	22.4	23.1	23.3
x=2H y=6H	24.1	24.8	24.5	25.1	23.2	22.0	22.7	22.3	23.0	23.2
x=2H y=8H	24.1	24.7	24.4	25.0	23.2	22.0	22.6	22.3	22.9	23.2
x=2H y=12H	24.0	24.7	24.4	25.0	23.2	21.9	22.5	22.3	22.8	23.2
x=4H y=2H	24.6	25.3	24.9	25.6	24.1	22.8	23.6	23.1	23.8	24.1
x=4H y=3H	24.6	25.2	24.9	25.5	24.1	22.8	23.5	23.2	23.8	24.1
x=4H y=4H	24.5	25.0	24.9	25.4	24.0	22.8	23.3	23.2	23.7	24.0
x=4H y=6H	24.4	24.9	24.8	25.3	23.9	22.7	23.2	23.1	23.5	23.9
x=4H y=8H	24.4	24.8	24.8	25.2	23.9	22.7	23.1	23.1	23.5	23.9
x=4H y=12H	24.4	24.7	24.8	25.1	23.8	22.7	23.0	23.1	23.4	23.8
x=8H y=4H	24.4	24.8	24.8	25.2	23.9	22.7	23.1	23.1	23.5	23.9
x=8H y=6H	24.3	24.6	24.8	25.1	23.8	22.6	22.9	23.1	23.4	23.8
x=8H y=8H	24.3	24.6	24.8	25.0	23.8	22.6	22.9	23.1	23.3	23.8
x=8H y=12H	24.2	24.5	24.7	24.9	23.7	22.5	22.8	23.0	23.2	23.7
x=12H y=4H	24.4	24.7	24.8	25.1	23.8	22.7	23.0	23.1	23.4	23.8
x=12H y=6H	24.3	24.6	24.8	25.0	23.8	22.6	22.9	23.1	23.3	23.8
x=12H y=8H	24.2	24.5	24.7	24.9	23.7	22.5	22.8	23.0	23.2	23.7

**Luminaire**

Code 05-9538 BRILLO  
 Name Proyector 70W CDM-T ref brillo  
 Line Eulumdat

**Measur.**

Code 05-9537 BRILLO  
 Name Proyector 70W CDM-T ref brillo  
 Date 14-11-2011

**Lamp**

Code CDM-T70W/830  
 Number 1  
 Position

Efficiency 84.86%      Coordinate system CG      Total Flux 6600.00 lm

Total Flux=6600.00 Luminaire Flux=5601.04

RI	0.60	0.80	1.00	1.25	1.50	2.00	2.50	3.00	4.00	5.00	10.00	20.00
DRR	0.57	0.64	0.70	0.75	0.79	0.85	0.89	0.92	0.94	0.96	0.99	1.00
RC	-	-	-	1	1	-	-	-	-	-	-	-

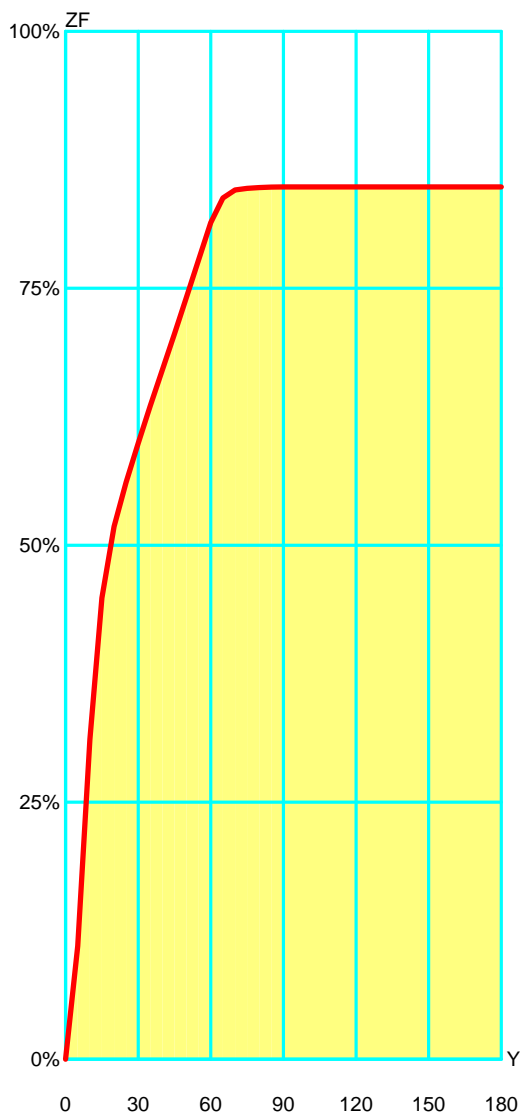
Zonal Flux per 1000 Lumen

Y°	10	20	30	40	50	60	70	80	90	100	110	120	130	140	150	160	170	180
ZF(Y)	311	518	599	671	742	814	846	848	849	849	849	849	849	849	849	849	849	849

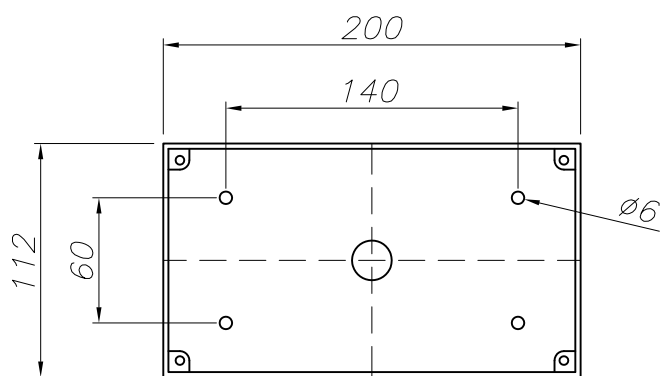
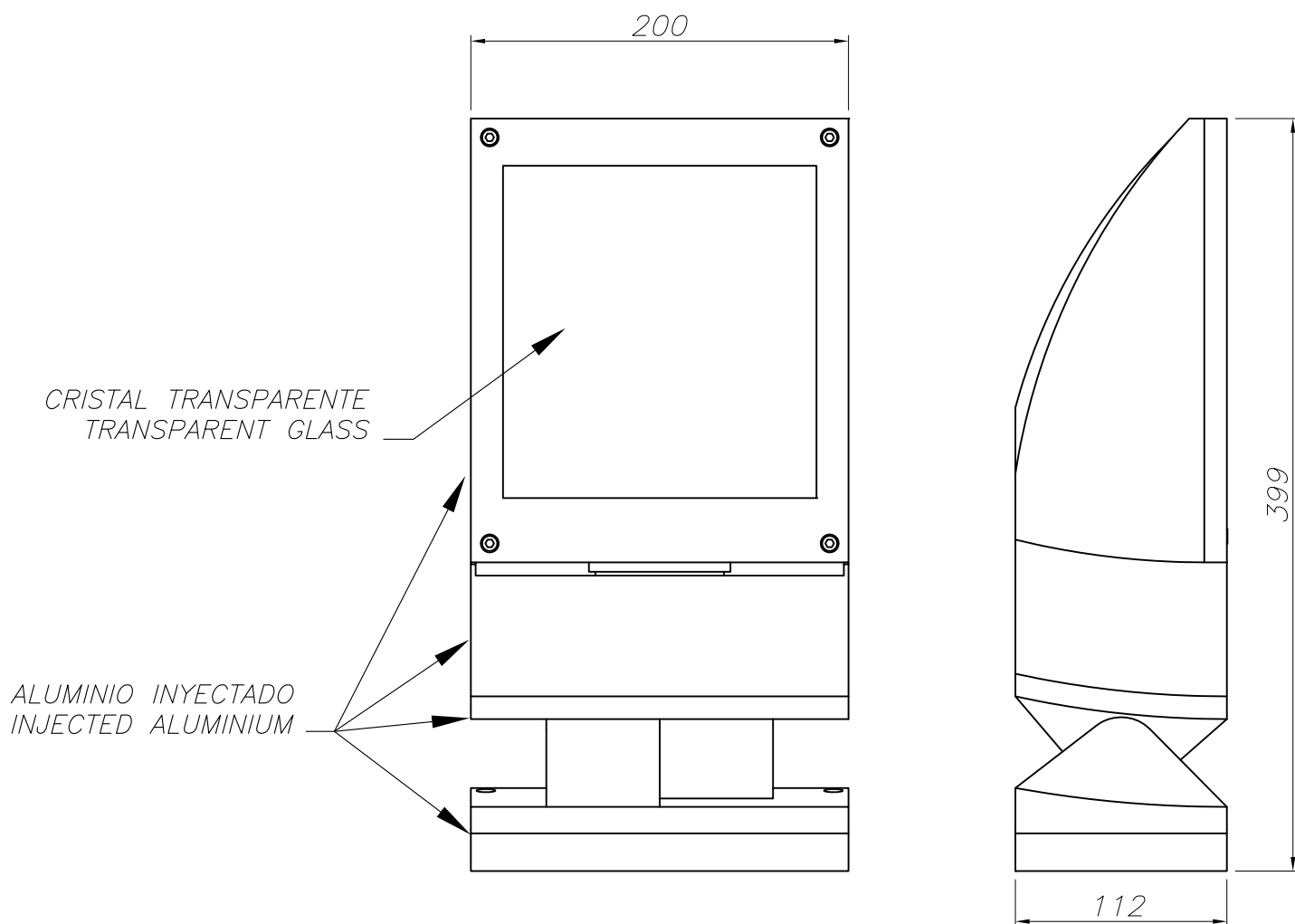
CIE Flux Codes

80 96 100 100 85

C.I.E.	-/-/1/1/-/-/-/-/-	LOR	84.86420 %
D DIN 5040	A60	ULOR	0.00459 %
F UTE	0.85 B	DLOR	84.85961 %
B NBN	BZ 1	UFF	0.00541 %
RN	0.00541 %	DFF	99.99459 %
BLF	1.0	FFR	0.00541 %

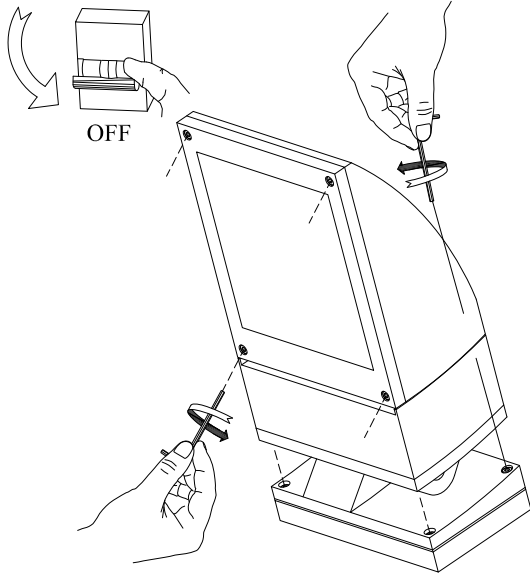


Zonal Flux				
Gamma °	Flux	Sum lm	Flux [%]	Sum [%]
0°	0.00	0.00	0.00%	0.00%
5°	110.05	110.05	12.97%	12.97%
10°	201.00	311.05	23.68%	36.65%
15°	137.74	448.79	16.23%	52.88%
20°	69.40	518.19	8.18%	61.06%
25°	42.99	561.18	5.07%	66.13%
30°	38.10	599.28	4.49%	70.62%
35°	36.31	635.59	4.28%	74.90%
40°	35.16	670.75	4.14%	79.04%
45°	35.17	705.92	4.14%	83.18%
50°	35.68	741.59	4.20%	87.39%
55°	36.53	778.13	4.30%	91.69%
60°	35.83	813.95	4.22%	95.91%
65°	23.95	837.91	2.82%	98.73%
70°	7.72	845.62	0.91%	99.64%
75°	1.63	847.25	0.19%	99.84%
80°	0.74	848.00	0.09%	99.92%
85°	0.40	848.40	0.05%	99.97%
90°	0.20	848.60	0.02%	99.99%
95°	0.05	848.64	0.01%	100.00%
100°	0.00	848.64	0.00%	100.00%
105°	0.00	848.64	0.00%	100.00%
110°	0.00	848.64	0.00%	100.00%
115°	0.00	848.64	0.00%	100.00%
120°	0.00	848.64	0.00%	100.00%
125°	0.00	848.64	0.00%	100.00%
130°	0.00	848.64	0.00%	100.00%
135°	0.00	848.64	0.00%	100.00%
140°	0.00	848.64	0.00%	100.00%
145°	0.00	848.64	0.00%	100.00%
150°	0.00	848.64	0.00%	100.00%
155°	0.00	848.64	0.00%	100.00%
160°	0.00	848.64	0.00%	100.00%
165°	0.00	848.64	0.00%	100.00%
170°	0.00	848.64	0.00%	100.00%
175°	0.00	848.64	0.00%	100.00%
180°	0.00	848.64	0.00%	100.00%

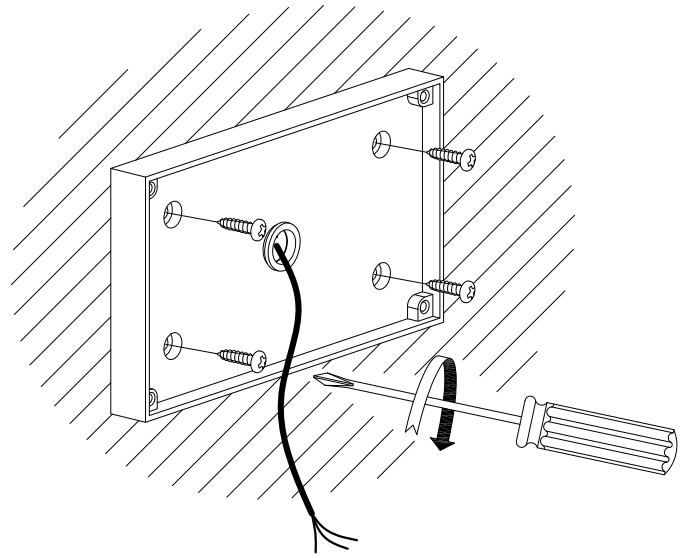


PLANTILLA DE INSTALACIÓN  
INSTALLATION TEMPLATE

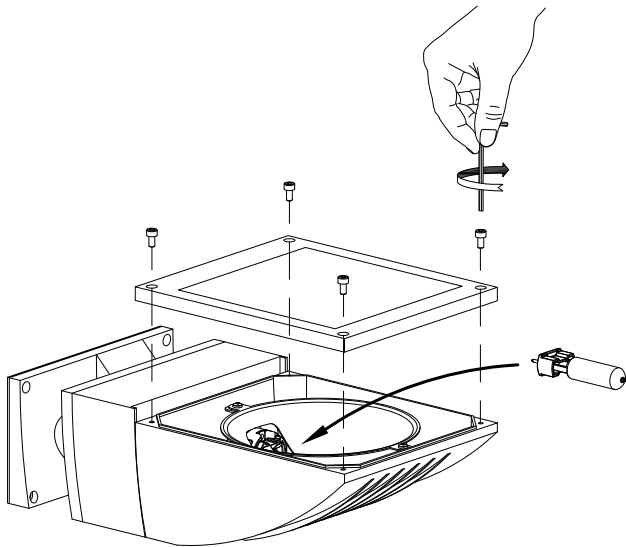
①



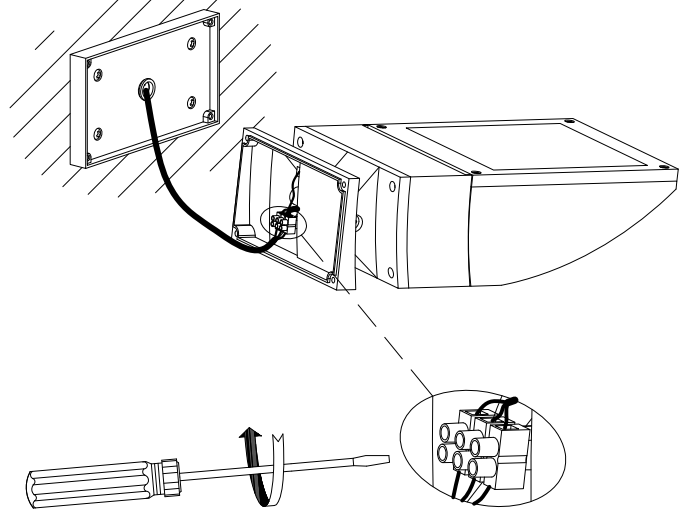
②



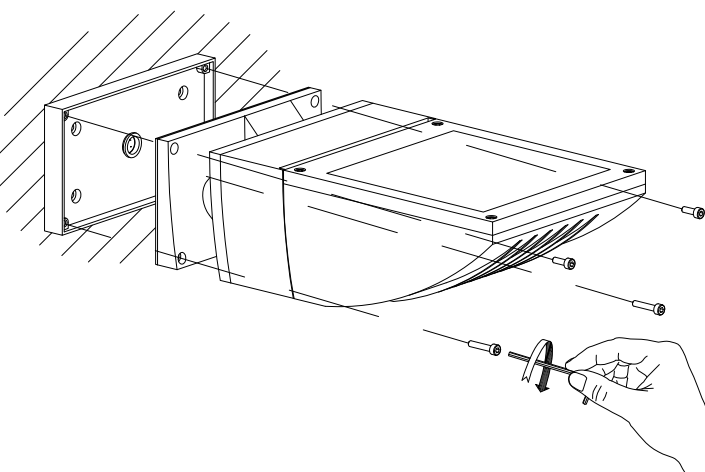
③



④



⑤



⑥

