

Surf Wall fixture

Designer: Manel Llusçà

**Description**

Wall fixture IP64 Surf LED 4.6W 3000K Grey

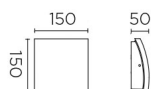
	Finish	Material
Structure	Grey	Aluminium
Diffuser	Transparent	Glass



IP64 IK08



12

**TECHNICAL CHARACTERISTICS****Light source**

Light source: LED CREE
 Light source power (W): 4.6W
 Luminaire total power (W): 7.3W
 Color temperature: LED warm-white
 3000K
 CRI: 80
 Photobiological risk: RG2
 Qty Leds: 2
 Bin / Grup: 7C1 o 7B4

GEAR

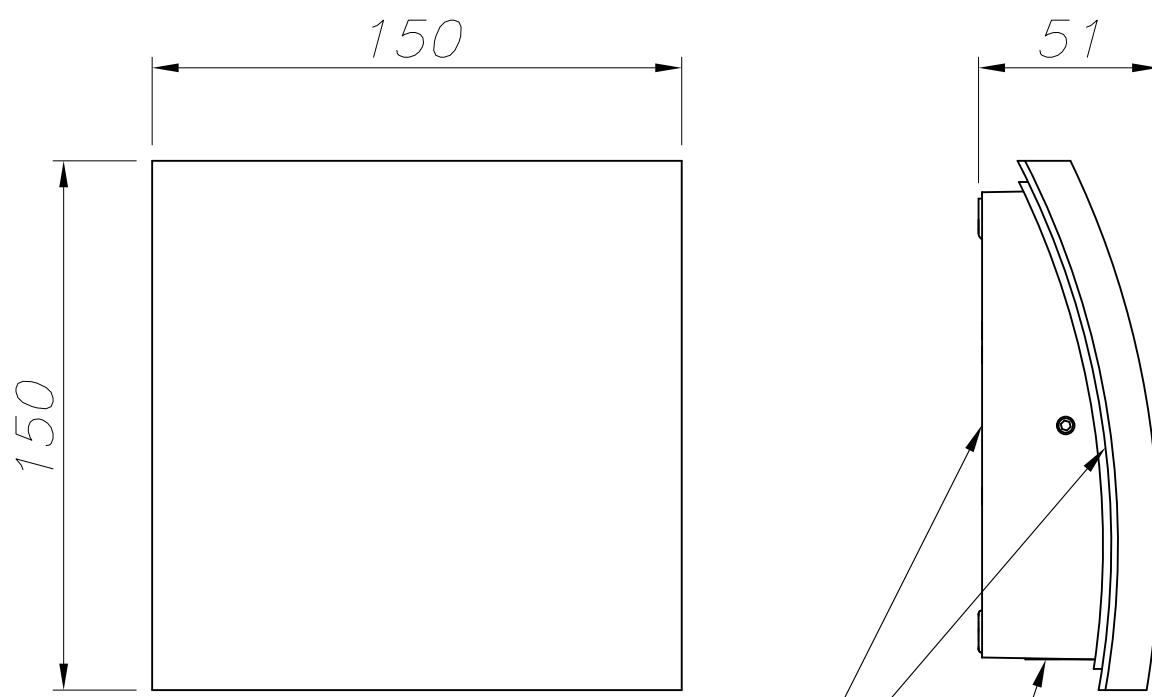
Gear included: Yes, electronic
 Voltage / Frequency:
 100-240VAC/50-60Hz

Luminaire

Seaside: No
 Warranty: 2 Years

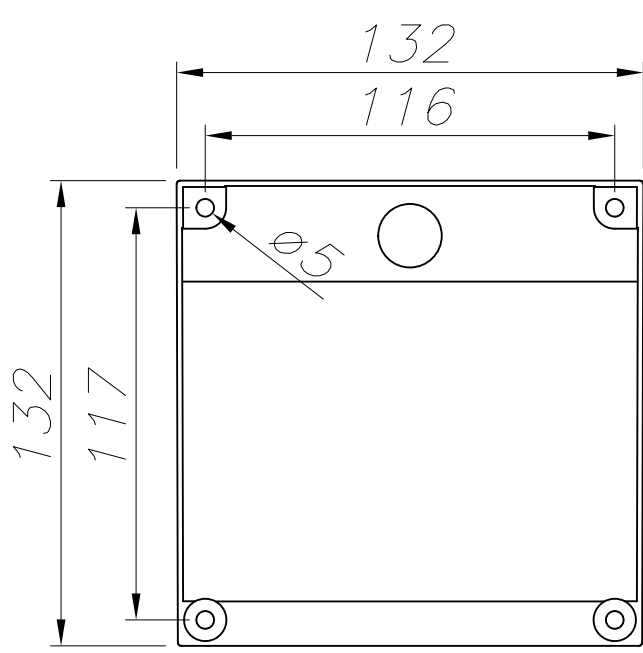
Logistics

Energy Efficiency: LED A++
 EAN Code: 8435381421014
 Net Weight (Kg): 0.48
 Weight in Kg (packaged): 0.57
 Packing: 160 x 160 x 60
 Masterbox: 12



ALUMINIO INYECTADO
INJECTED ALUMINUM

CRISTAL TRANSPARENTE
TRANSPARENT GLASS



PLANTILLA DE INSTALACIÓN
INSTALLATION TEMPLATE

