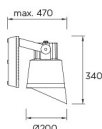


## HUBBLE

DIBA Production

## 05-9474-34-37

Spotlight with body produced in high grade aluminium with a clear glass diffuser. Different sizes available depending on the wattage. Suitable for HID 20W, 35W, 70W and 150W light source (not supplied). OSRAM electronic components included. Finished in light grey. Rotatable. Its wire outlets on both sides makes it suitable for an array installation. Includes two reflectors of two different angles. Post included.



### TECHNICAL FEATURES

IP65 IK05    ±90°  0,5m

**Power (W)** : Max. power 70W

**Raw lumens** : 4063

**Raw lm/W** : 58

**Structure material** : Aluminium

**Structure finish** : Grey

**Diffuser material** : Glass

**Recommended light bulb** : G12

**Equipment included** : Yes, electronic

**Voltage / frequency** : 230V/50-60Hz

**Warranty** : 2 Years

**Max. temperature** : 25°C

**Seaside** : No

**Energy efficiency** : Light bulb not included

### LUMINOTECHNIC FEATURES

**Lampholder**: 1 x G12

### LOGISTICS

**Net weight (kg)**: 3.41

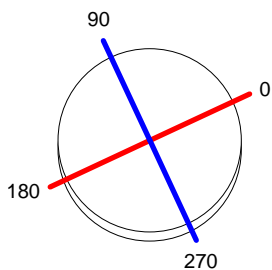
**Packaged weight (kg)**: 4.13



<b>Luminaire</b>		<b>Measur.</b>		<b>Lamp</b>	
Code	05-9474-1	Code	05-9474-A	Code	HCIT70NDL
Name	Proyector 70W HID R. Mate	Name	Proyector 70W HID R. Mate	Number	1
Line	Eulumdat	Date	29-12-2010	Position	
Efficiency	70.06%	Coordinate system	CG	Total Flux	5800.00 lm
Maximum value	4074.73 cd	Position	C=90.00 G=10.00	Asymmetrical	
Round Luminaire	Diam.	190 mm	Height	230 mm	
Round Luminous Area	Diam.	150 mm	Height	1 mm	
Horizontal Luminous Area	0.017671 m2		Emitting area on Plane 180°	0.000150 m2	
Emitting area on Plane 0°	0.000150 m2		Emitting area on Plane 270°	0.000150 m2	
Emitting area on Plane 90°	0.000150 m2		Glare area at 76°	0.004421 m2	
Symmetry Type	Asymmetrical	Maximum Gamma Angle	90		
Measurement Distance	0.00	Measurement Flux	5800.00 lm		
Operator	Asselum	Source voltage			
Temperature	25.00 °C	Source current			
Humidity	60.00 %	Photocell			
Notes					

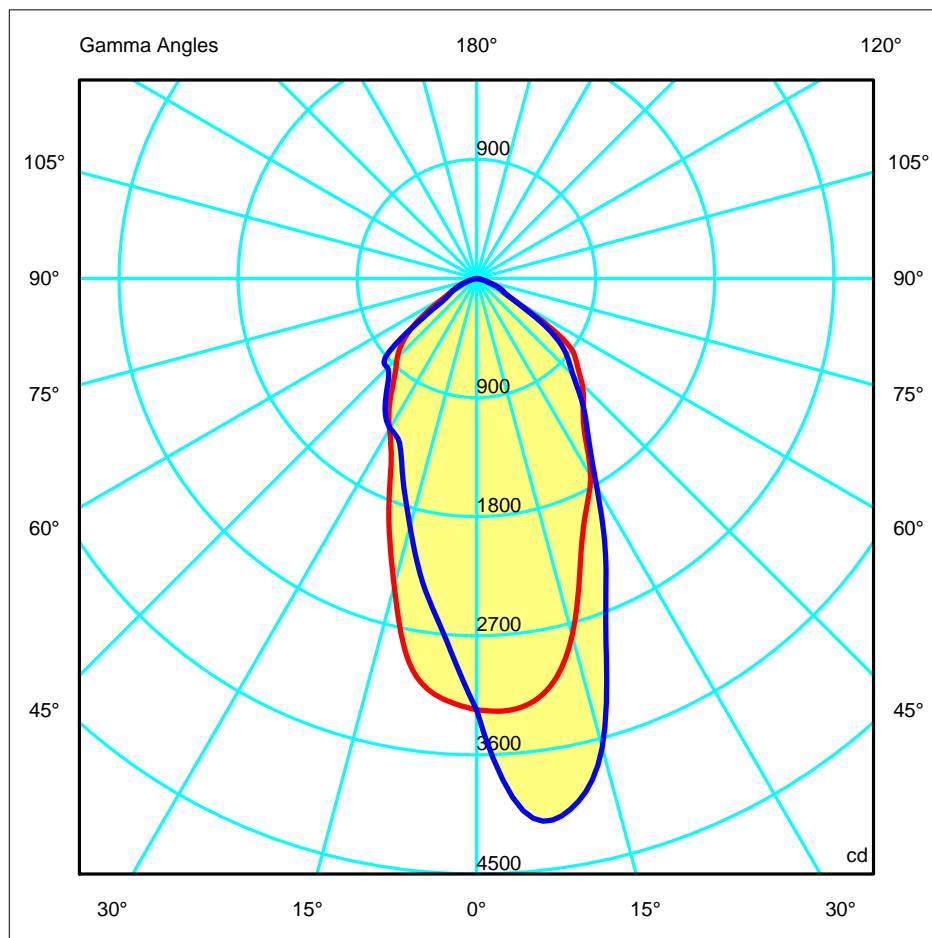
Luminaire Lamps					
Line	Code	Name	Flux [lm]	Pow. [W]	Q.ty
Eulumdat	HCIT70NDL	HCIT70NDL - 72.00 W	5800.00	72.00	1
C.I.E.	67 94 99 100 70	D DIN 5040		A50	
F UTE	0.70 C	B NBN		BZ 2	

Diam=190mm



C Halfplanes  
 180.0 — 0.0  
 270.0 — 90.0

ULOR 0.00 %  
 DLOR 70.06 %  
 RN 0.00 %



**Luminaire**  
 Code 05-9474-1  
 Name Projector 70W HID R. Mate  
 Line Eulumat

**Measur.**  
 Code 05-9474-A  
 Name Projector 70W HID R. Mate  
 Date 29-12-2010

**Lamp**  
 Code HCIT70NDL  
 Number 1  
 Position

Efficiency 70.06%

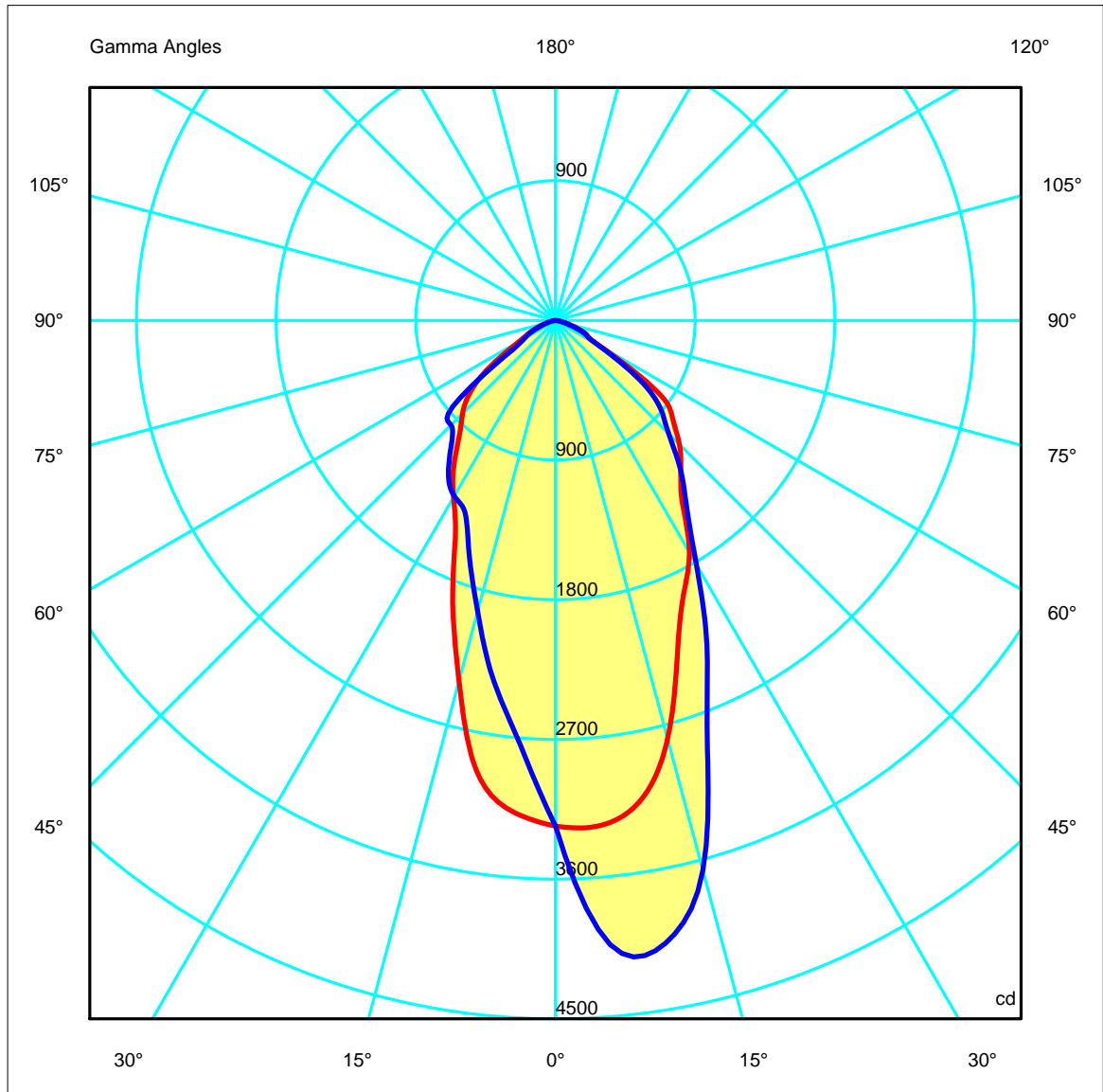
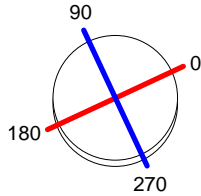
Coordinate system CG

Total Flux 5800.00 lm

Diam=190mm

C Halfplanes

180.0 ————— 0.0  
 270.0 ————— 90.0



**Luminaire**  
 Code 05-9474-1  
 Name Projector 70W HID R. Mate  
 Line Eulumdat

**Measur.**  
 Code 05-9474-A  
 Name Projector 70W HID R. Mate  
 Date 29-12-2010

**Lamp**  
 Code HCIT70NDL  
 Number 1  
 Position

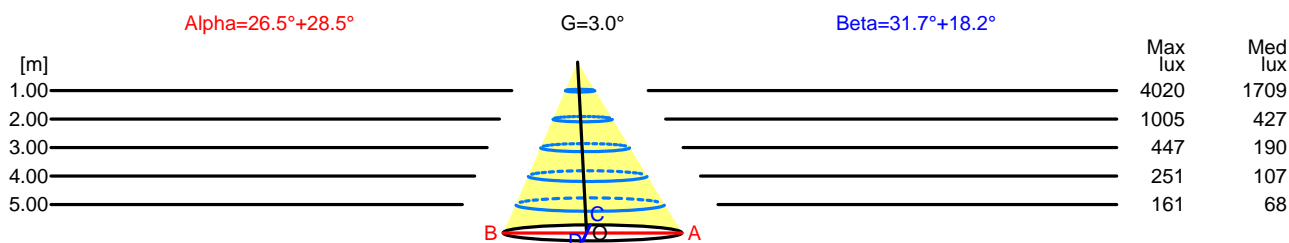
Efficiency 70.06%      Coordinate system CG      Total Flux 5800.00 lm

Width at 50.00 % of Max Intensity

H[m]	1.00	2.00	3.00	4.00	5.00	H[m]	1.00	2.00	3.00	4.00	5.00
OA	0.56	1.12	1.68	2.24	2.80	OC	0.62	1.24	1.85	2.47	3.09
OB	0.49	0.97	1.46	1.95	2.43	OD	0.33	0.66	0.99	1.32	1.65

Luminous Intensities [ cd ]

	0	5	15	25	35	45	55	65	75	85
OA	3258.56	3268.65	2793.51	1951.00	1423.61	1128.56	800.17	223.87	80.35	6.07
OB	3258.56	3176.31	2403.23	1526.97	1142.77	846.80	504.11	179.80	58.21	3.44
OC	3258.56	4035.81	3668.73	2308.57	1474.82	1029.96	651.46	214.08	65.20	3.14
OD	3258.56	2721.71	1940.27	1375.30	1204.37	952.42	383.48	161.21	47.79	3.05



H[m]	D[m]	Max lux	Med lux	Alpha=26.5°+28.5°	G=3.0
1.00	1.05	4020	1709		
2.00	2.09	1005	427		
3.00	3.14	447	190		
4.00	4.18	251	107		
5.00	5.23	161	68		

H[m]	D[m]	Max lux	Med lux	Beta=18.2°+31.7°	G=0.0
1.00	0.95	4020	1709		
2.00	1.90	1005	427		
3.00	2.84	447	190		
4.00	3.79	251	107		
5.00	4.74	161	68		

**Luminaire**  
 Code 05-9474-1  
 Name Proyector 70W HID R. Mate  
 Line Eulumat

**Measuram.**  
 Code 05-9474-A  
 Name Proyector 70W HID R. Mate  
 Date 29-12-2010

**Lamp**  
 Code HCIT70NDL  
 Number 1  
 Position

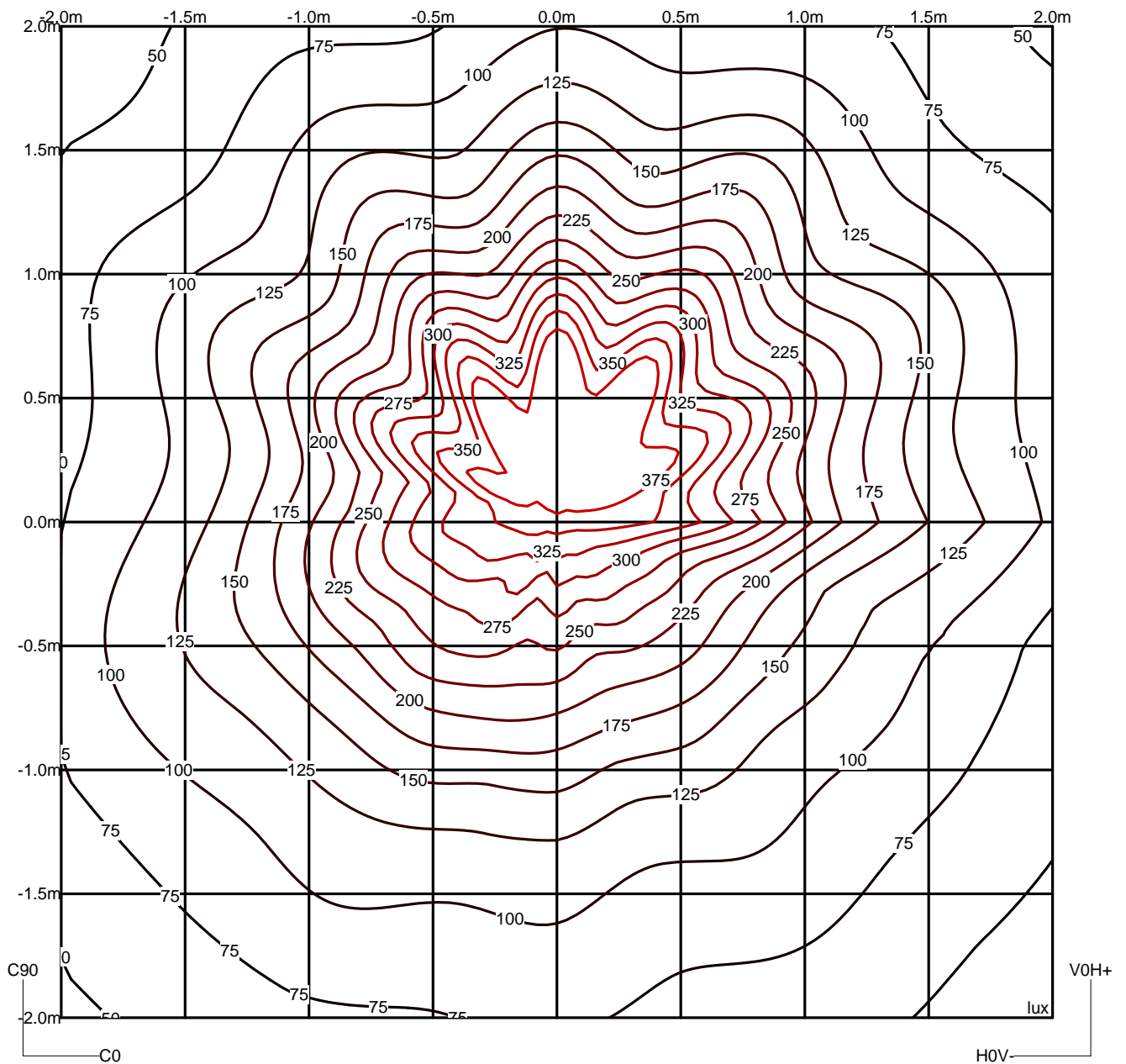
Efficiency 70.06%

Coordinate system CG

Total Flux 5800.00 lm

Isolux (Floor)

Luminaire position X=0.00m Y=0.00m Z=3.00m



**Luminaire**

Code 05-9474-1  
 Name Projector 70W HID R. Mate  
 Line Eulumdat

**Measur.**

Code 05-9474-A  
 Name Projector 70W HID R. Mate  
 Date 29-12-2010

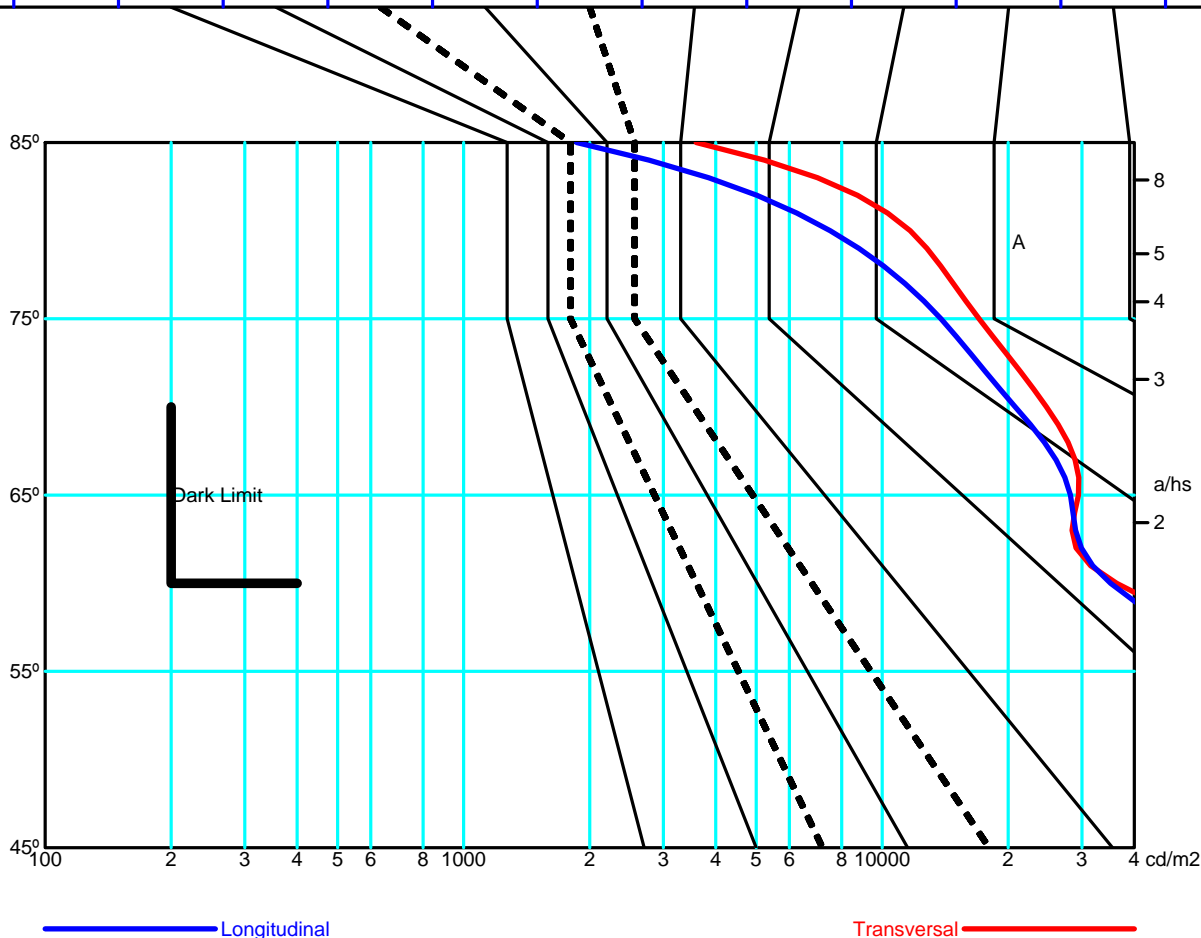
**Lamp**

Code HCIT70NDL  
 Number 1  
 Position

Efficiency 70.06%      Coordinate system CG      Total Flux 5800.00 lm

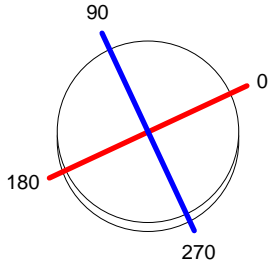
		Average Luminance [cd/m <sup>2</sup> ]									
		45°	50°	55°	60°	65°	70°	75°	80°	85°	
0.0°	89559	85911	78000	36335	29442	24673	17028	11659	3595	---	
90.0°	81734	77004	63504	35120	28153	20780	13818	7513	1861	---	

Flush mounted or longitudinal view												
		Illumination(lx)										
A	A	2000	1000	750	500		<300				1.15	
B	1		2000	1500	1000	750	500	<300			1.5	
C					2000		1000	500	<300		1.85	
D	2						2000	1000	500	<300	2.2	
E	3							2000	1000	500	<300	2.55



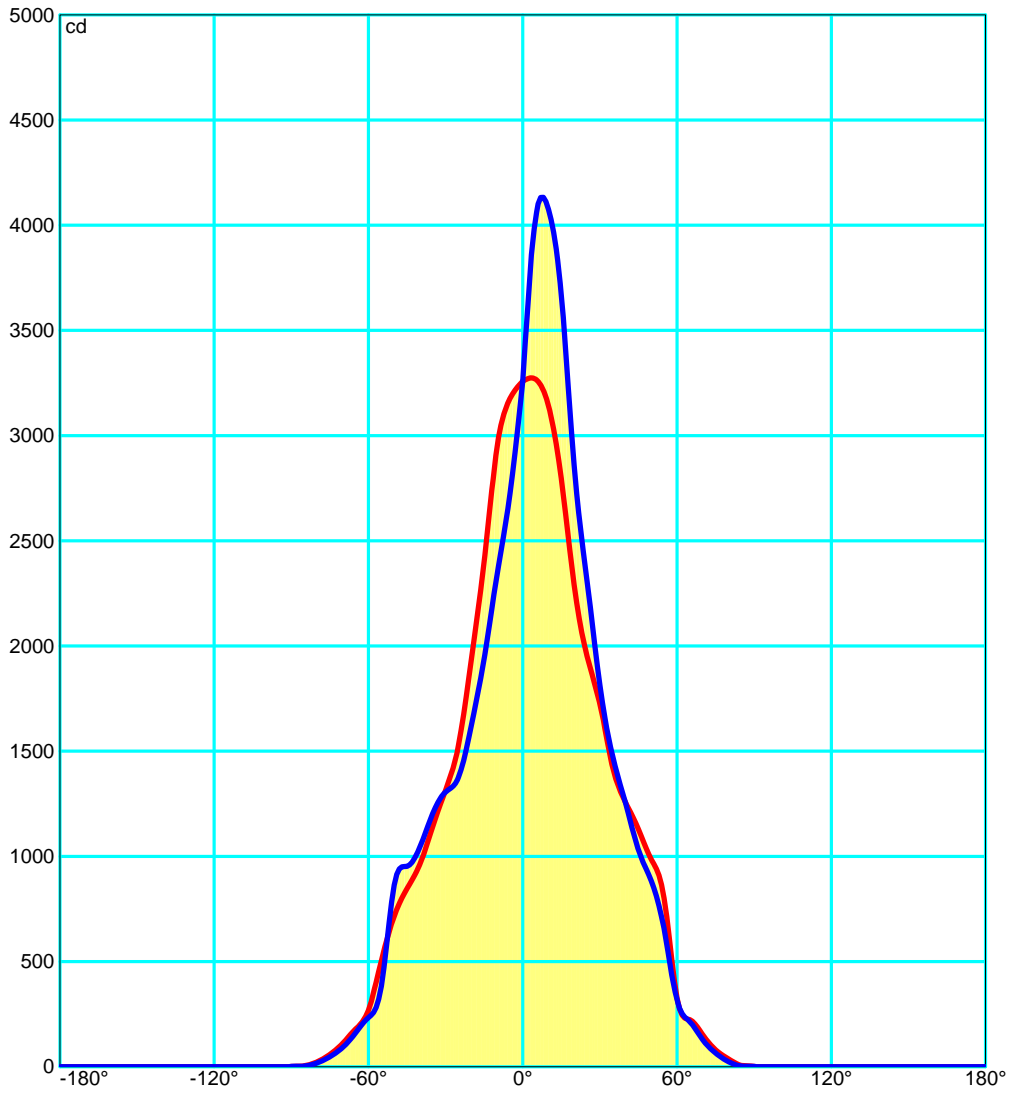
<b>Luminaire</b>		<b>Measur.</b>		<b>Lamp</b>	
Code	05-9474-1	Code	05-9474-A	Code	HCIT70NDL
Name	Proyector 70W HID R. Mate	Name	Proyector 70W HID R. Mate	Number	1
Line	Eulumdat	Date	29-12-2010	Position	
Efficiency	70.06%	Coordinate system	CG	Total Flux	5800.00 lm

Diam=190mm



C Halfplanes

180.0 ——— 0.0  
270.0 ——— 90.0



<b>Luminaire</b>		<b>Measur.</b>		<b>Lamp</b>	
Code	05-9474-1	Code	05-9474-A	Code	HCIT70NDL
Name	Proyector 70W HID R. Mate	Name	Proyector 70W HID R. Mate	Number	1
Line	Eulumdat	Date	29-12-2010	Position	
Efficiency	70.06%	Coordinate system	CG	Total Flux	5800.00 lm

**UGR**  
S = 0.250

Reflectancies										
Ceiling/Cavity	0.7	0.7	0.5	0.5	0.3	0.7	0.7	0.5	0.5	0.3
Walls	0.5	0.3	0.5	0.3	0.3	0.5	0.3	0.5	0.3	0.3
WorkingPlane	0.2	0.2	0.2	0.2	0.2	0.2	0.2	0.2	0.2	0.2
RoomDimensions	ViewedCrosswise					ViewedEndwise				
x=2H y=2H	24.8	25.9	25.1	26.1	26.3	24.8	25.9	25.1	26.1	26.3
x=2H y=3H	25.1	26.1	25.4	26.3	26.5	25.1	26.0	25.4	26.3	26.5
x=2H y=4H	25.1	26.0	25.5	26.3	26.5	25.1	26.0	25.5	26.3	26.5
x=2H y=6H	25.2	25.9	25.5	26.2	26.5	25.1	25.9	25.5	26.2	26.5
x=2H y=8H	25.1	25.9	25.5	26.2	26.5	25.1	25.9	25.5	26.2	26.5
x=2H y=12H	25.1	25.8	25.4	26.1	26.4	25.1	25.8	25.4	26.1	26.4
x=4H y=2H	25.0	25.9	25.3	26.1	26.4	24.9	25.8	25.3	26.1	26.4
x=4H y=3H	25.3	26.1	25.7	26.4	26.7	25.3	26.0	25.7	26.4	26.7
x=4H y=4H	25.4	26.1	25.8	26.4	26.7	25.4	26.0	25.8	26.4	26.7
x=4H y=6H	25.4	26.0	25.9	26.4	26.8	25.4	26.0	25.9	26.4	26.8
x=4H y=8H	25.4	25.9	25.9	26.3	26.7	25.4	25.9	25.9	26.3	26.7
x=4H y=12H	25.4	25.8	25.8	26.2	26.7	25.4	25.8	25.8	26.2	26.7
x=8H y=4H	25.4	25.9	25.8	26.3	26.7	25.4	25.9	25.8	26.3	26.7
x=8H y=6H	25.4	25.8	25.9	26.3	26.7	25.4	25.8	25.9	26.3	26.7
x=8H y=8H	25.4	25.7	25.9	26.2	26.7	25.4	25.8	25.9	26.2	26.7
x=8H y=12H	25.4	25.7	25.9	26.1	26.6	25.4	25.7	25.9	26.1	26.6
x=12H y=4H	25.4	25.8	25.8	26.2	26.6	25.4	25.8	25.8	26.2	26.6
x=12H y=6H	25.4	25.7	25.9	26.2	26.7	25.4	25.7	25.9	26.2	26.7
x=12H y=8H	25.4	25.7	25.9	26.1	26.6	25.4	25.7	25.9	26.1	26.6



**Luminaire**

Code 05-9474-1  
 Name Proyector 70W HID R. Mate  
 Line Eulumdat

**Measuram.**

Code 05-9474-A  
 Name Proyector 70W HID R. Mate  
 Date 29-12-2010

**Lamp**

Code HCIT70NDL  
 Number 1  
 Position

Efficiency 70.06%      Coordinate system CG      Total Flux 5800.00 lm

Total Flux=5800.00 Luminaire Flux=4063.35

RI	0.60	0.80	1.00	1.25	1.50	2.00	2.50	3.00	4.00	5.00	10.00	20.00
DRR	0.45	0.53	0.61	0.68	0.73	0.80	0.84	0.87	0.90	0.92	0.96	0.98
RC	3	2	2	2	2	2	2	2	2	2	2	2

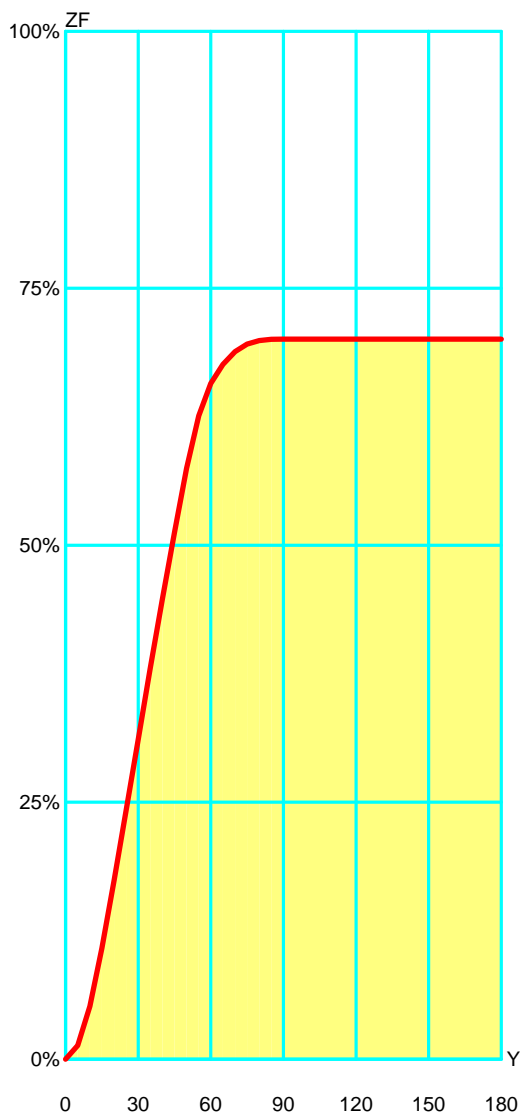
Zonal Flux per 1000 Lumen

Y°	10	20	30	40	50	60	70	80	90	100	110	120	130	140	150	160	170	180
ZF(Y)	52	174	311	448	575	657	688	699	701	701	701	701	701	701	701	701	701	701

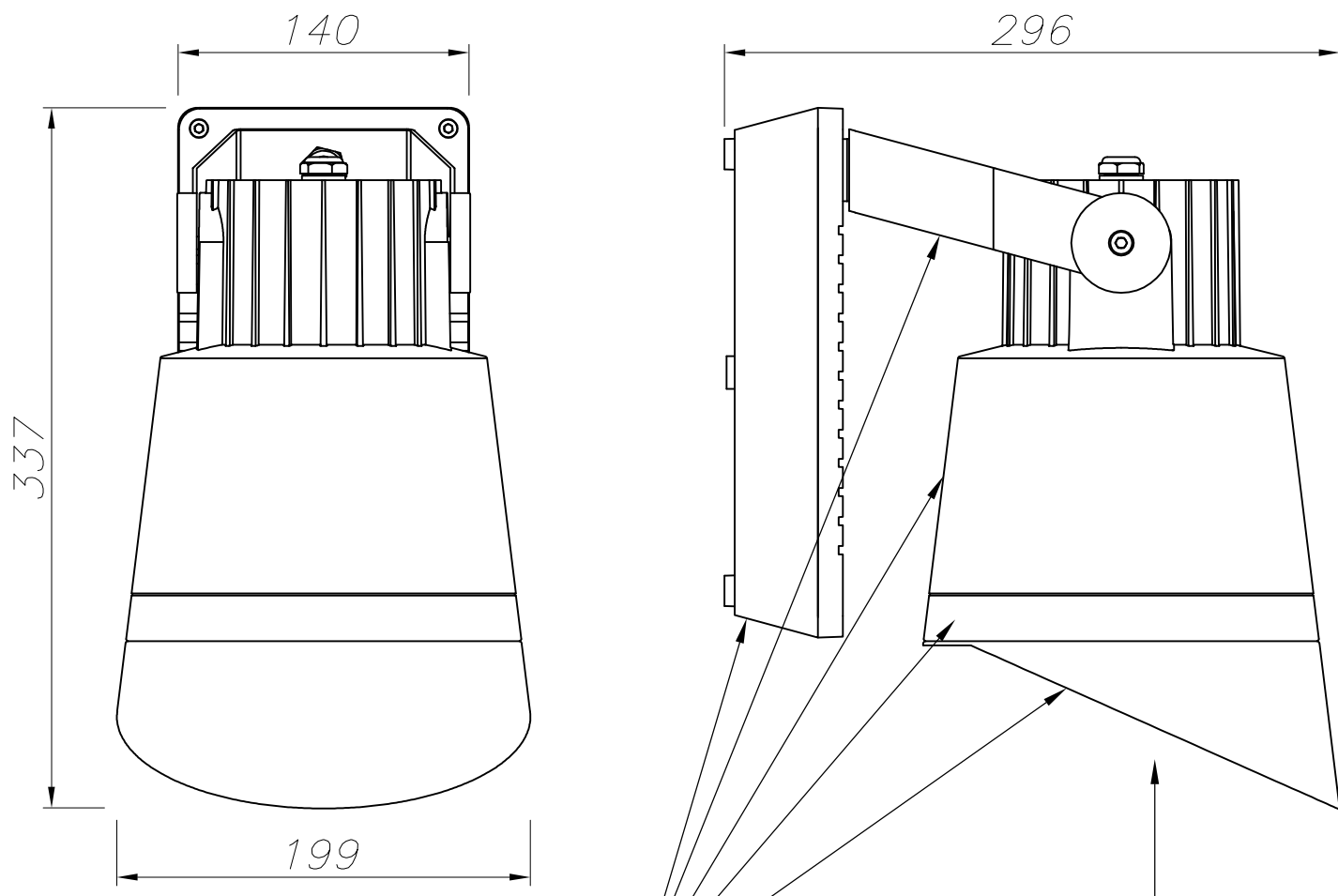
CIE Flux Codes

67 94 99 100 70

C.I.E.	3/2/2/2/2/2/2/2/2/2	LOR	70.05784 %
D DIN 5040	A50	ULOR	0.00000 %
F UTE	0.70 C	DLOR	70.05784 %
B NBN	BZ 2	UFF	0.00000 %
RN	0.00000 %	DFF	100.00000 %
BLF	1.0	FFR	0.00000 %

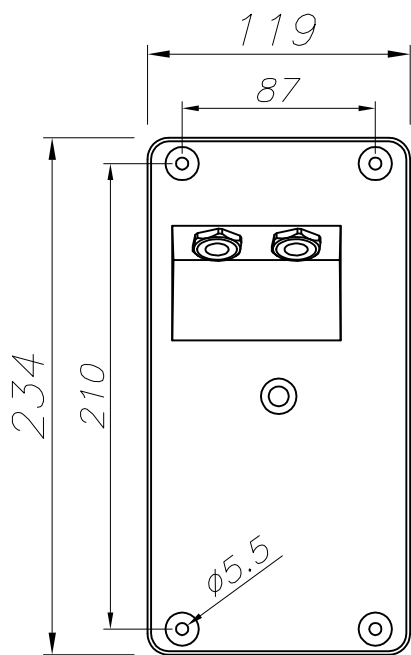


Zonal Flux				
Gamma °	Flux	Sum lm	Flux [%]	Sum [%]
0°	0.00	0.00	0.00%	0.00 %
5°	13.36	13.36	1.91 %	1.91 %
10°	38.18	51.54	5.45 %	7.36 %
15°	56.53	108.07	8.07 %	15.43 %
20°	65.73	173.80	9.38 %	24.81 %
25°	68.08	241.87	9.72 %	34.52 %
30°	69.22	311.09	9.88 %	44.40 %
35°	69.27	380.35	9.89 %	54.29 %
40°	67.41	447.76	9.62 %	63.91 %
45°	65.15	512.91	9.30 %	73.21 %
50°	62.04	574.95	8.86 %	82.07 %
55°	50.92	625.87	7.27 %	89.34 %
60°	31.60	657.47	4.51 %	93.85 %
65°	18.43	675.90	2.63 %	96.48 %
70°	12.48	688.37	1.78 %	98.26 %
75°	7.35	695.73	1.05 %	99.31 %
80°	3.47	699.20	0.50 %	99.80 %
85°	1.14	700.34	0.16 %	99.97 %
90°	0.24	700.58	0.03 %	100.00 %
95°	0.00	700.58	0.00 %	100.00 %
100°	0.00	700.58	0.00 %	100.00 %
105°	0.00	700.58	0.00 %	100.00 %
110°	0.00	700.58	0.00 %	100.00 %
115°	0.00	700.58	0.00 %	100.00 %
120°	0.00	700.58	0.00 %	100.00 %
125°	0.00	700.58	0.00 %	100.00 %
130°	0.00	700.58	0.00 %	100.00 %
135°	0.00	700.58	0.00 %	100.00 %
140°	0.00	700.58	0.00 %	100.00 %
145°	0.00	700.58	0.00 %	100.00 %
150°	0.00	700.58	0.00 %	100.00 %
155°	0.00	700.58	0.00 %	100.00 %
160°	0.00	700.58	0.00 %	100.00 %
165°	0.00	700.58	0.00 %	100.00 %
170°	0.00	700.58	0.00 %	100.00 %
175°	0.00	700.58	0.00 %	100.00 %
180°	0.00	700.58	0.00 %	100.00 %



ALUMINIO DE ALTA PUREZA  
HIGH QUALITY ALUMINIUM

CRISTAL TRANSPARENTE  
TRANSPARENT GLASS



PLANTILLA DE INSTALACION  
INSTALLATION TEMPLATE

