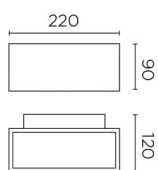


## AFRODITA Halogen Wall fixture

**Description**

Wall fixture IP65 AFRODITA Halogen R7s 150W White 1049lm

	Finish	Material
<b>Structure</b>	White	Aluminium
<b>Diffuser</b>	Matt	Glass

**TECHNICAL CHARACTERISTICS****Light source**

Lampholder: 1 x R7s  
 Light source power (W): MAX 150W  
 Luminaire total power (W): 150W  
 Lamp maximum dimension: 78/ mm  
 Real Lumen: 1049  
 Quantity: 1  
 Lm/Real W: 7  
 UGR: 14.4  
 Recommended lamp: R7s

**GEAR**

Voltage / Frequency:  
 220-240VAC/50-60Hz

**Luminaire**

Double cable exit: No  
 Drainage: No  
 Uv Protection: Yes  
 Warranty: 2 Years

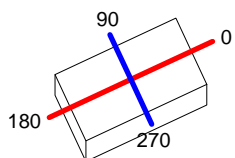
**Logistics**

Energy Efficiency: NO BULB  
 EAN Code: 8435111077917  
 Net Weight (Kg): 1.07  
 Weight in Kg (packaged): 1.36  
 Packing: 230 x 100 x 130  
 Masterbox: 4

<b>Luminaire</b>		<b>Measur.</b>		<b>Lamp</b>		
Code	05-9229	Code	05-9229-34-37	Code	QT-DE12	
Name	AFRODITA	Name	AFRODITA	Number	1	
Line	Eulumdat	Date	29-04-1994	Position		
Efficiency	41.94%	Coordinate system	CG	Total Flux	2500.00 lm	
Maximum value	240.50 cd	Position	C=210.00 G=5.00	Asymmetrical		
Rectangular Luminaire	Length	120 mm	Width	219 mm	Height	219 mm
Rectangular Luminous Area	Length	68 mm	Width	200 mm	Height	1 mm
Horizontal Luminous Area	0.013600 m2	Emitting area on Plane 180°		0.000068 m2		
Emitting area on Plane 0°	0.000068 m2	Emitting area on Plane 270°		0.000200 m2		
Emitting area on Plane 90°	0.000200 m2	Glare area at 76°		0.003356 m2		
Symmetry Type	Asymmetrical	Maximum Gamma Angle		180		
Measurement Distance	0.00	Measurement Flux		2500.00 lm		
Operator		Source voltage				
Temperature	25.00 °C	Source current				
Humidity	60.00 %	Photocell				
Notes						

Line	Code	Luminaire Lamps		Flux [lm]	Pow. [W]	Q.ty
Eulumdat	QT-DE12	Name	QT-DE12 - 150.00 W	2500.00	150.00	1
C.I.E.	54 84 97 50 42	D DIN 5040		C41		
F UTE	0.21 D + 0.21 T	B NBN		BZ 3 / 0.8 / BZ 4		

120mm x 219mm



**C Halfplanes**

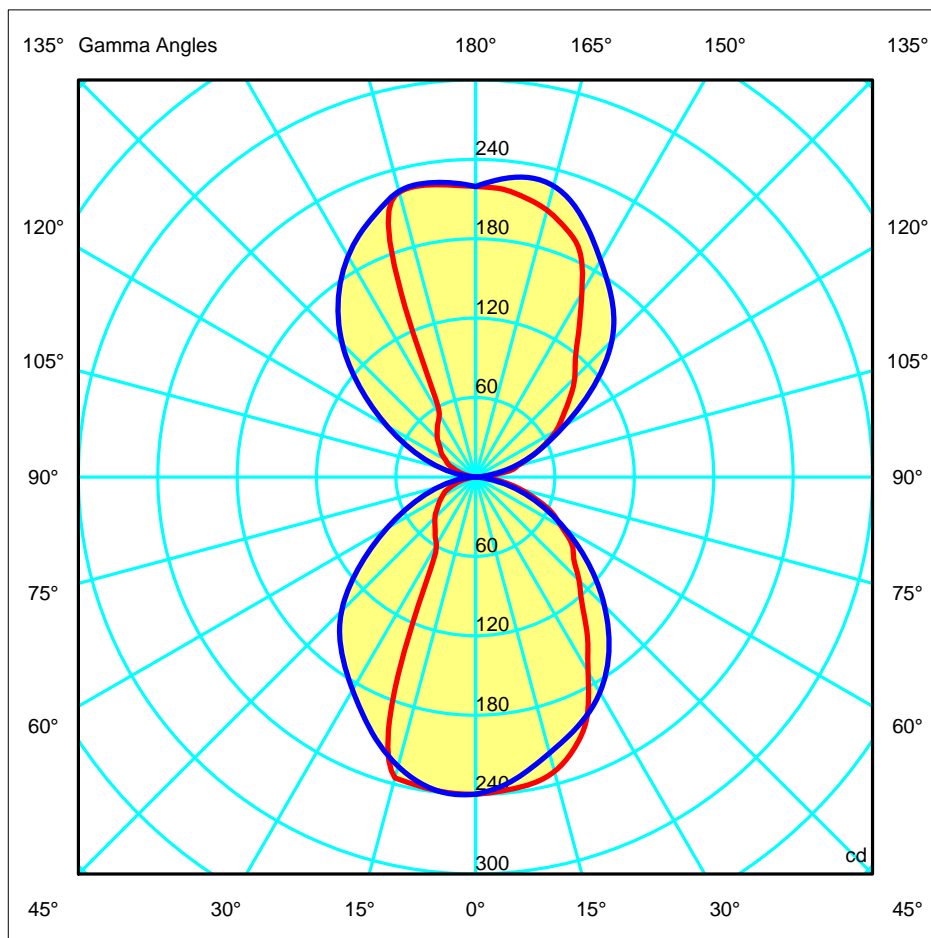
180.0 — 0.0

270.0 — 90.0

ULOR 21.13 %

DLOR 20.81 %

RN 50.39 %

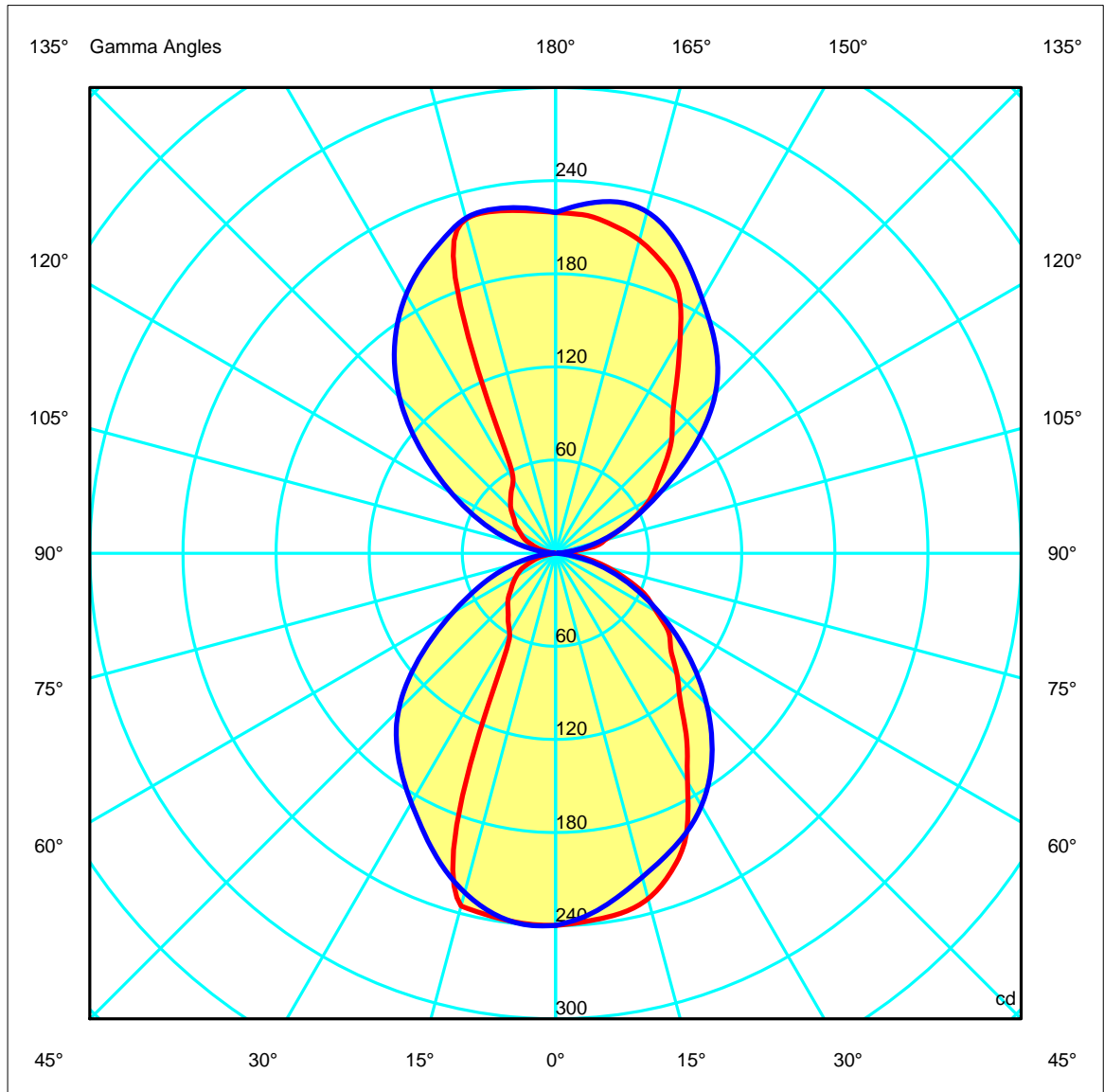
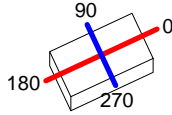


<b>Luminaire</b>		<b>Measur.</b>		<b>Lamp</b>	
Code	05-9229	Code	05-9229-34-37	Code	QT-DE12
Name	AFRODITA	Name	AFRODITA	Number	1
Line	Eulumdat	Date	29-04-1994	Position	
Efficiency	41.94%	Coordinate system	CG	Total Flux	2500.00 lm

120mm x 219mm

C Halfplanes

180.0 ——— 0.0  
 270.0 ——— 90.0

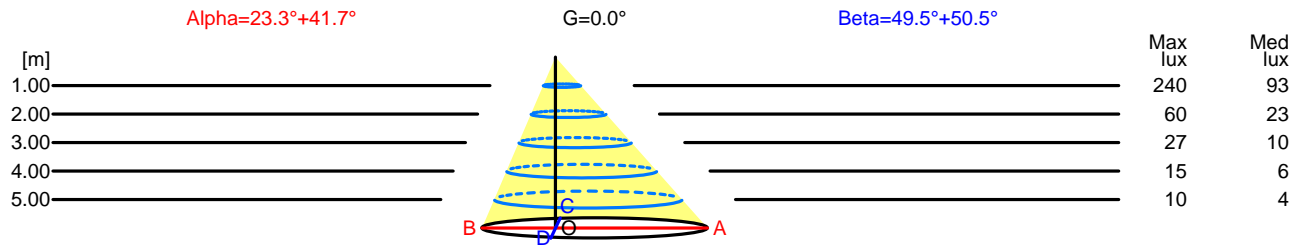


<b>Luminaire</b>		<b>Measur.</b>		<b>Lamp</b>	
Code	05-9229	Code	05-9229-34-37	Code	QT-DE12
Name	AFRODITA	Name	AFRODITA	Number	1
Line	Eulumdat	Date	29-04-1994	Position	
Efficiency	41.94%	Coordinate system	CG	Total Flux	2500.00 lm

Width at 50.00 % of Max Intensity

H[m]	1.00	2.00	3.00	4.00	5.00	H[m]	1.00	2.00	3.00	4.00	5.00
OA	0.89	1.78	2.67	3.56	4.45	OC	1.17	2.34	3.51	4.68	5.85
OB	0.43	0.86	1.29	1.72	2.15	OD	1.21	2.42	3.63	4.85	6.06

	Luminous Intensities [ cd ]									
	0	5	15	25	35	45	55	65	75	85
OA	239.75	238.00	230.50	199.50	147.50	110.75	89.00	64.00	34.50	10.25
OB	239.75	239.50	235.25	89.50	53.25	43.50	33.50	24.50	12.25	0.00
OC	239.75	234.25	216.00	198.75	173.75	137.75	97.50	59.75	28.00	4.25
OD	239.75	240.00	226.25	199.75	172.75	143.00	98.75	58.25	28.75	5.00



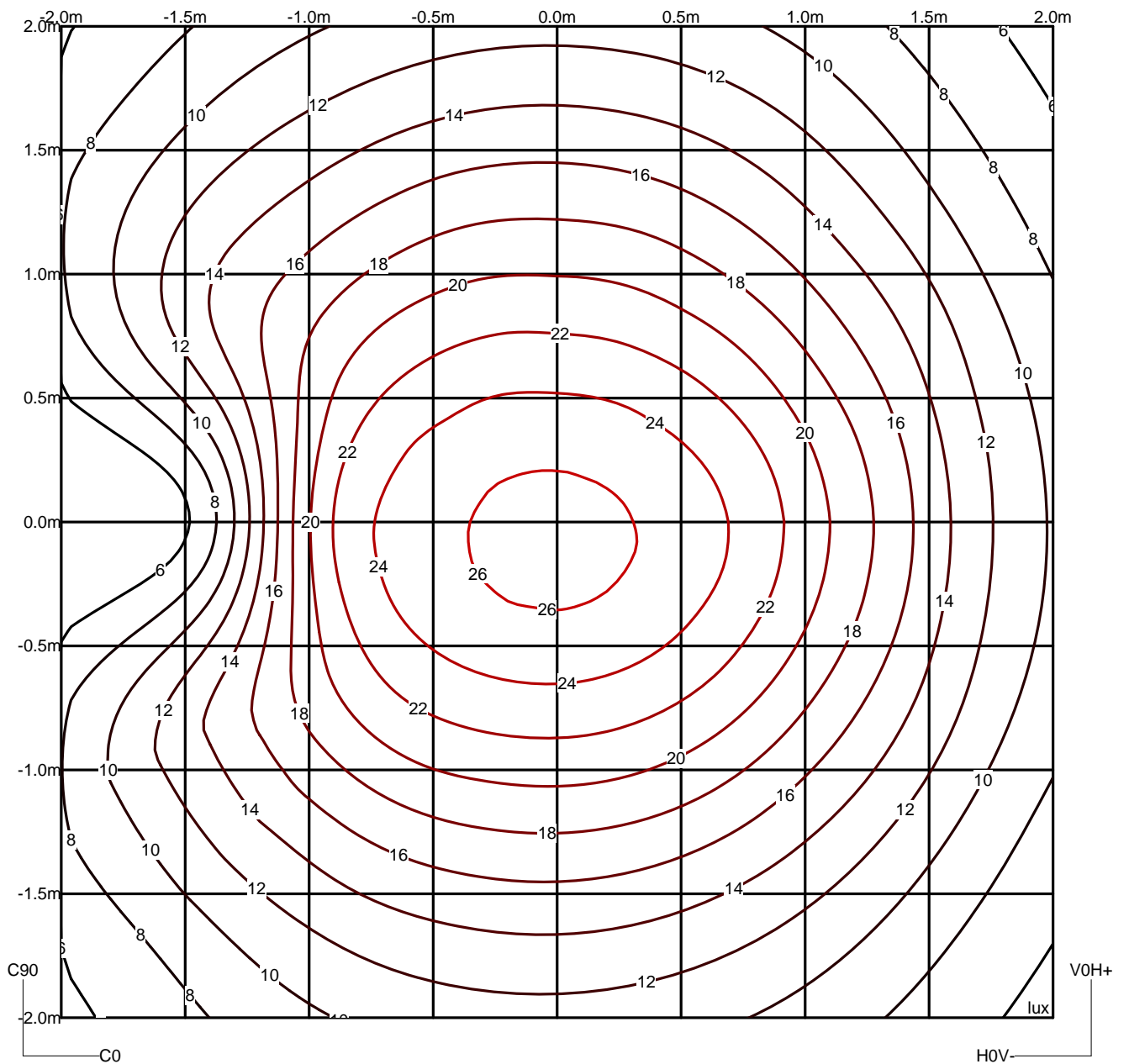
H[m]	D[m]	Max lux	Med lux	Alpha=23.3°+41.7°	G=0.0
1.00	1.32	240	93		
2.00	2.64	60	23		
3.00	3.96	27	10		
4.00	5.28	15	6		
5.00	6.60	10	4		

H[m]	D[m]	Max lux	Med lux	Beta=50.5°+49.5°	G=0.0
1.00	2.38	240	93		
2.00	4.76	60	23		
3.00	7.14	27	10		
4.00	9.53	15	6		
5.00	11.91	10	4		

<b>Luminaire</b>		<b>Measur.</b>		<b>Lamp</b>	
Code	05-9229	Code	05-9229-34-37	Code	QT-DE12
Name	AFRODITA	Name	AFRODITA	Number	1
Line	Eulumdat	Date	29-04-1994	Position	
Efficiency	41.94%	Coordinate system	CG	Total Flux	2500.00 lm

Isolux (Floor)

Luminaire position X=0.00m Y=0.00m Z=3.00m



**Luminaire**

 Code 05-9229  
 Name AFRODITA  
 Line Eulumdat

**Measur.**

 Code 05-9229-34-37  
 Name AFRODITA  
 Date 29-04-1994

**Lamp**

 Code QT-DE12  
 Number 1  
 Position

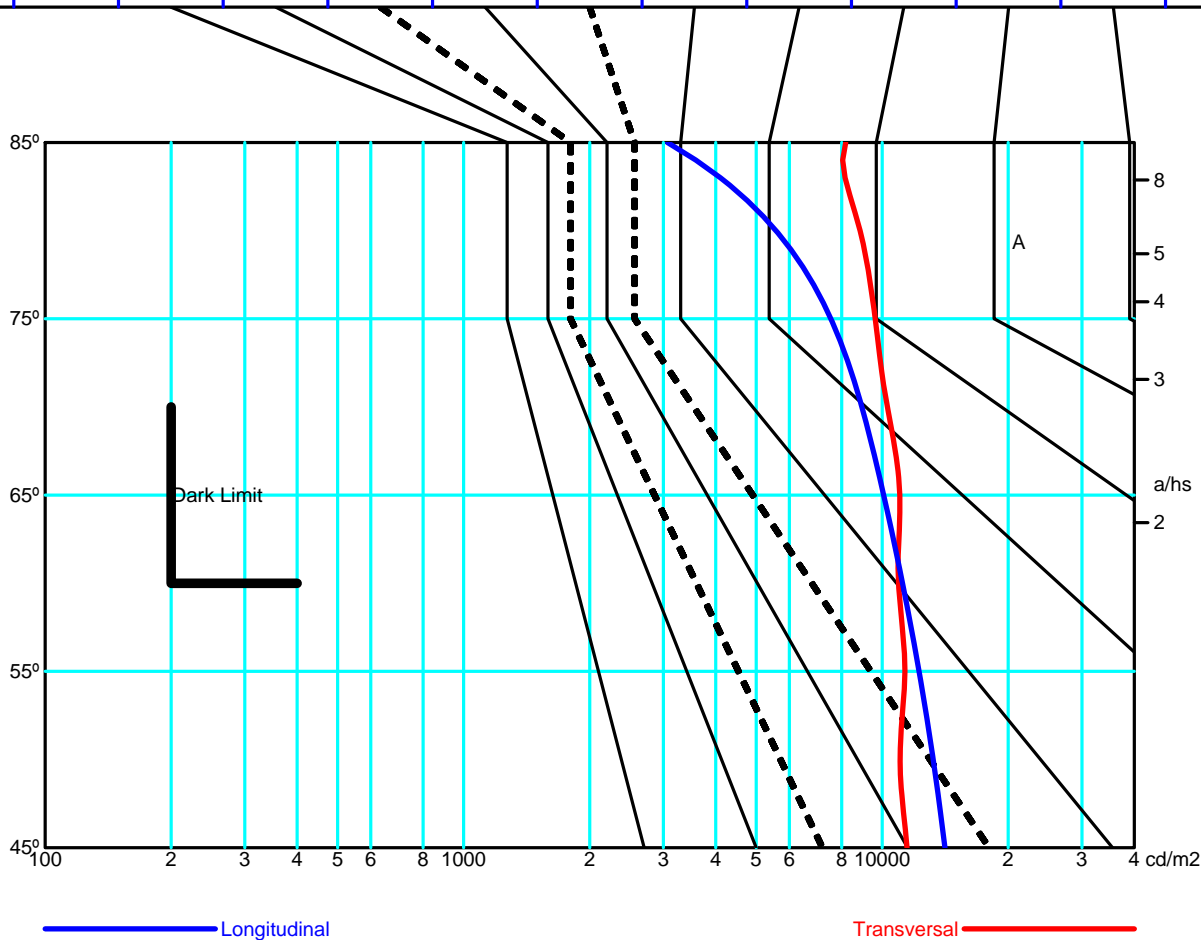
Efficiency 41.94%

Coordinate system CG

Total Flux 2500.00 lm

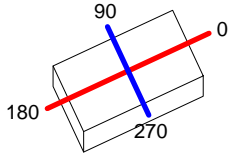
		Average Luminance [cd/m <sup>2</sup> ]								
		45°	50°	55°	60°	65°	70°	75°	80°	85°
0.0°	11459	11030	11328	10935	11017	10286	9622	8853	8180	---
90.0°	14117	13238	12242	11186	10078	8937	7541	5570	3070	---

Flush mounted or longitudinal view												
		Illumination(lx)										
A	A	2000	1000	750	500		<300				1.15	
B	1		2000	1500	1000	750	500	<300			1.5	
C					2000		1000	500	<300		1.85	
D	2						2000	1000	500	<300	2.2	
E	3							2000	1000	500	<300	2.55



<b>Luminaire</b>		<b>Measur.</b>		<b>Lamp</b>	
Code	05-9229	Code	05-9229-34-37	Code	QT-DE12
Name	AFRODITA	Name	AFRODITA	Number	1
Line	Eulumdat	Date	29-04-1994	Position	
Efficiency	41.94%	Coordinate system	CG	Total Flux	2500.00 lm

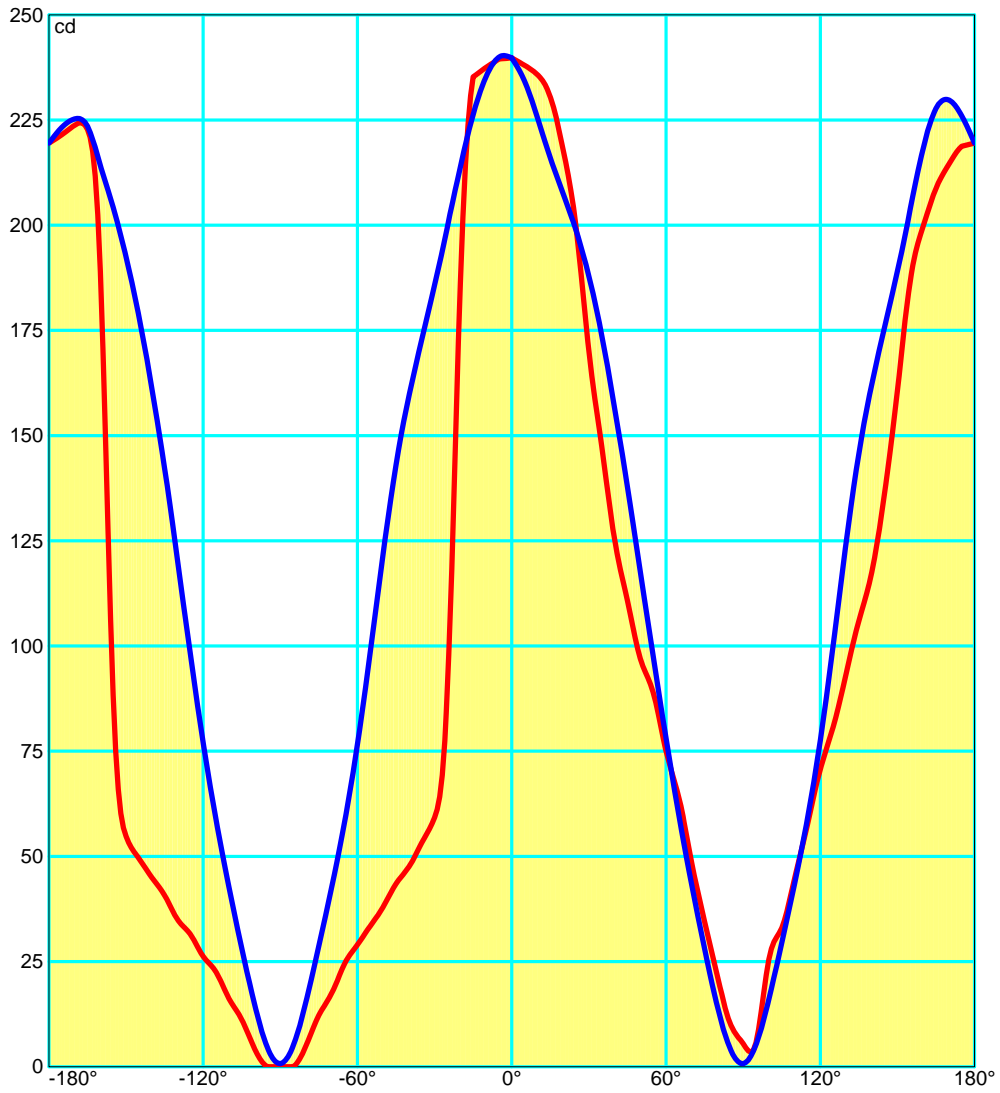
120mm x 219mm



**C Halfplanes**

180.0 ———— 0.0

270.0 ———— 90.0



<b>Luminaire</b>		<b>Measur.</b>		<b>Lamp</b>	
Code	05-9229	Code	05-9229-34-37	Code	QT-DE12
Name	AFRODITA	Name	AFRODITA	Number	1
Line	Eulumdat	Date	29-04-1994	Position	
Efficiency	41.94%	Coordinate system	CG	Total Flux	2500.00 lm

**UGR**  
S = 0.250

Reflectancies										
Ceiling/Cavity	0.7	0.7	0.5	0.5	0.3	0.7	0.7	0.5	0.5	0.3
Walls	0.5	0.3	0.5	0.3	0.3	0.5	0.3	0.5	0.3	0.3
WorkingPlane	0.2	0.2	0.2	0.2	0.2	0.2	0.2	0.2	0.2	0.2
RoomDimensions	ViewedCrosswise					ViewedEndwise				
x=2H y=2H	14.4	15.2	15.3	16.1	20.5	17.7	18.5	18.6	19.4	20.5
x=2H y=3H	15.1	15.8	16.0	16.7	21.6	18.8	19.5	19.7	20.4	21.6
x=2H y=4H	15.3	16.0	16.3	16.9	22.0	19.2	19.9	20.2	20.8	22.0
x=2H y=6H	15.4	16.0	16.3	16.9	22.2	19.5	20.1	20.4	21.0	22.2
x=2H y=8H	15.4	15.9	16.3	16.9	22.3	19.5	20.1	20.5	21.0	22.3
x=2H y=12H	15.3	15.8	16.2	16.7	22.2	19.5	20.0	20.4	21.0	22.2
x=4H y=2H	15.5	16.1	16.4	17.0	20.7	18.0	18.6	18.9	19.5	20.7
x=4H y=3H	16.3	16.8	17.3	17.8	21.9	19.2	19.7	20.2	20.7	21.9
x=4H y=4H	16.6	17.0	17.5	18.0	22.4	19.7	20.2	20.7	21.2	22.4
x=4H y=6H	16.7	17.0	17.6	18.0	22.8	20.1	20.5	21.1	21.5	22.8
x=4H y=8H	16.6	17.0	17.6	18.0	22.9	20.2	20.5	21.2	21.6	22.9
x=4H y=12H	16.5	16.9	17.5	17.9	22.8	20.2	20.5	21.2	21.5	22.8
x=8H y=4H	16.9	17.2	17.9	18.2	22.5	19.8	20.2	20.8	21.2	22.5
x=8H y=6H	17.0	17.3	18.0	18.3	22.9	20.3	20.6	21.3	21.6	22.9
x=8H y=8H	17.0	17.2	18.0	18.3	23.0	20.4	20.7	21.4	21.7	23.0
x=8H y=12H	16.9	17.1	18.0	18.2	23.1	20.4	20.7	21.5	21.7	23.1
x=12H y=4H	16.8	17.2	17.9	18.2	22.4	19.8	20.1	20.8	21.1	22.4
x=12H y=6H	17.0	17.3	18.1	18.3	22.9	20.3	20.5	21.3	21.5	22.9
x=12H y=8H	17.0	17.2	18.1	18.3	23.0	20.4	20.6	21.5	21.7	23.0



<b>Luminaire</b>	<b>Measur.</b>	<b>Lamp</b>
Code 05-9229	Code 05-9229-34-37	Code QT-DE12
Name AFRODITA	Name AFRODITA	Number 1
Line Eulumdat	Date 29-04-1994	Position
Efficiency 41.94%	Coordinate system CG	Total Flux 2500.00 lm

Total Flux=2500.00 Luminaire Flux=1048.62

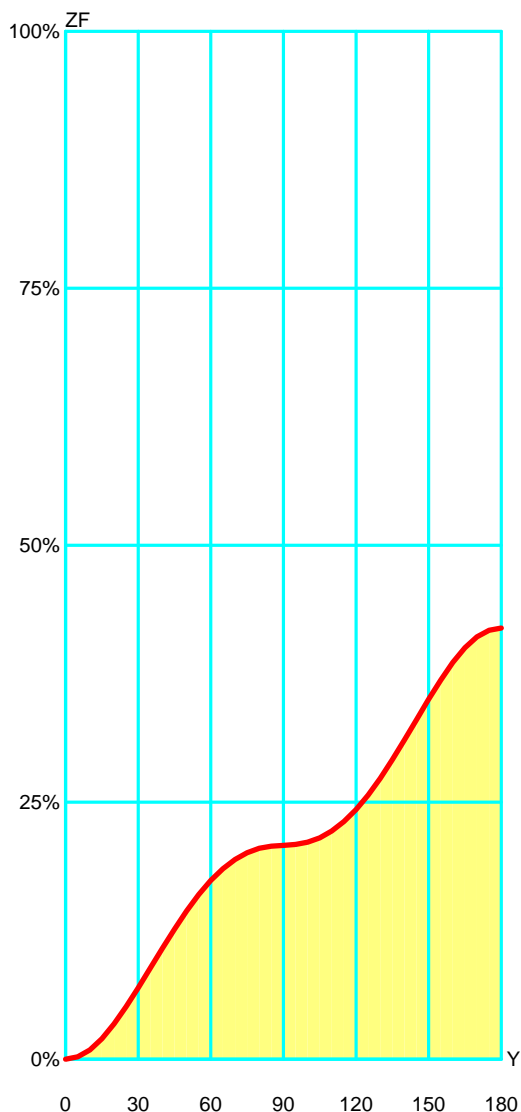
RI	0.60	0.80	1.00	1.25	1.50	2.00	2.50	3.00	4.00	5.00	10.00	20.00
DRR	0.36	0.44	0.52	0.59	0.64	0.72	0.77	0.81	0.86	0.88	0.94	0.97
RC	4	4	4	4	4	4	4	4	4	4	4	3

Zonal Flux per 1000 Lumen

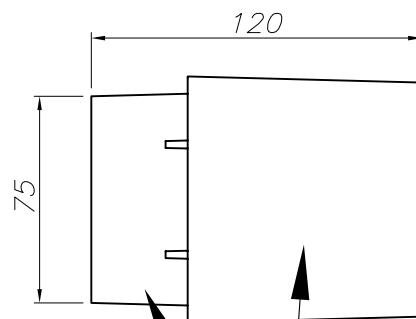
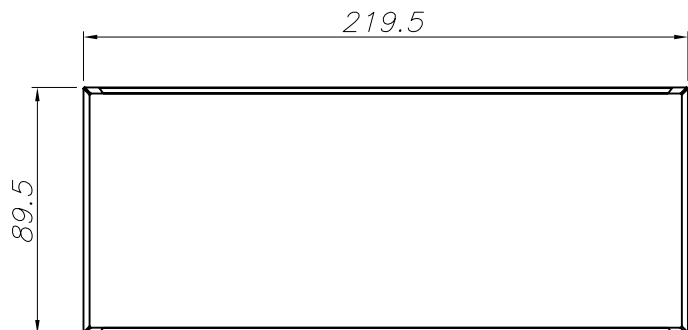
Y°	10	20	30	40	50	60	70	80	90	100	110	120	130	140	150	160	170	180
ZF(Y)	9	34	69	108	144	174	194	205	208	211	222	243	273	311	350	386	411	419

CIE Flux Codes  
54 84 97 50 42

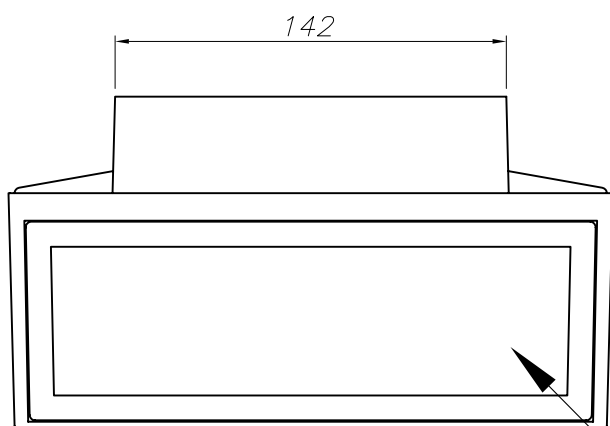
C.I.E.	4/4/4/4/4/4/4/4/4/3	LOR	41.94497 %
D DIN 5040	C41	ULOR	21.13403 %
F UTE	0.21 D + 0.21 T	DLOR	20.81094 %
B NBN	BZ 3 / 0.8 / BZ 4	UFF	50.38514 %
RN	50.38514 %	DFF	49.61486 %
BLF	1.0	FFR	101.55251 %



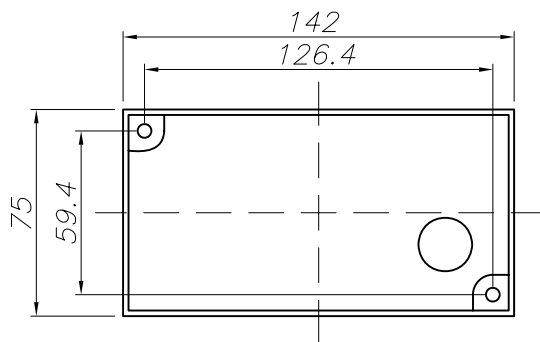
Zonal Flux				
Gamma °	Flux	Sum lm	Flux [%]	Sum [%]
0°	0.00	0.00	0.00%	0.00%
5°	2.28	2.28	0.54%	0.54%
10°	6.75	9.03	1.61%	2.15%
15°	10.91	19.94	2.60%	4.75%
20°	14.42	34.37	3.44%	8.19%
25°	16.79	51.15	4.00%	12.20%
30°	18.24	69.40	4.35%	16.54%
35°	19.16	88.56	4.57%	21.11%
40°	19.31	107.87	4.60%	25.72%
45°	18.77	126.64	4.47%	30.19%
50°	17.62	144.26	4.20%	34.39%
55°	15.90	160.16	3.79%	38.18%
60°	13.77	173.93	3.28%	41.47%
65°	11.42	185.35	2.72%	44.19%
70°	9.00	194.36	2.15%	46.34%
75°	6.58	200.94	1.57%	47.90%
80°	4.23	205.17	1.01%	48.91%
85°	2.14	207.30	0.51%	49.42%
90°	0.81	208.11	0.19%	49.61%
95°	0.80	208.91	0.19%	49.81%
100°	2.18	211.09	0.52%	50.33%
105°	4.34	215.43	1.03%	51.36%
110°	6.69	222.12	1.59%	52.95%
115°	9.13	231.24	2.18%	55.13%
120°	11.63	242.88	2.77%	57.90%
125°	14.09	256.97	3.36%	61.26%
130°	16.32	273.29	3.89%	65.15%
135°	18.11	291.40	4.32%	69.47%
140°	19.28	310.68	4.60%	74.07%
145°	19.80	330.48	4.72%	78.79%
150°	19.65	350.13	4.69%	83.47%
155°	18.74	368.87	4.47%	87.94%
160°	17.08	385.95	4.07%	92.01%
165°	14.36	400.31	3.42%	95.44%
170°	10.61	410.92	2.53%	97.97%
175°	6.41	417.33	1.53%	99.50%
180°	2.12	419.45	0.50%	100.00%



ALUMINIO INYECTADO  
INJECTED ALUMINUM



CRISTAL SATINADO  
SATIN GLASS



PLANTILLA DE INSTALACIÓN  
INSTALLATION TEMPLATE



LEDs·cu

# OUTDOOR

05-9229

