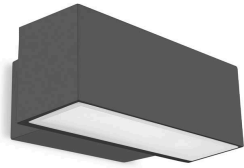


### AFRODITA Led Wall fixture

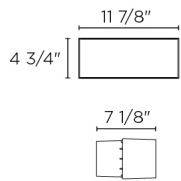
Designer: -



#### Description

Wall light for outdoor use.

For downlighting. Suitable for installation in marine environments. Structure material: High purity aluminium. Structure finish: Urban grey. Blades finishes: NA. Diffuser material: Glass. Diffuser finish: Partly-sandblasted. UV protection. Warranty: 5 Years.

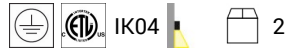


#### Finish

Urban grey  
Partly-sandblasted  
NA

#### Material

High purity aluminium  
Glass



#### TECHNICAL CHARACTERISTICS

##### Light source

Light source: LED LEXTAR  
Output (W): 22.8W  
Total power consumption (W): 24.4 W  
Color temperature: LED warm-white  
3000K  
CRI: 80  
Photobiological risk: RG0  
Real Lumen: 1670  
Qty Leds: 20  
Lm/Real W: 68  
Life Time: 50.000h L80B20  
Bin / Grup: L3003 o R3003  
MacAdam steps: 3  
UGR: 21.6

##### GEAR

Brand: THOMAS RESEARCH  
PRODUCTS  
Gear included: Yes, electronic  
Voltage / Frequency: 90-305 VAC  
Power Factor: 0.90  
Dimming protocol: 0-10V  
Flickering: 12%

##### Luminaire

Double cable exit: No  
Recessed: No  
Seaside: Yes  
Uv Protection: Yes  
Warranty: 5 Years

##### Logistics

Energy Efficiency: NA  
EAN Code: 8435526854004  
Net Weight (Lb): 4.99  
Weight in Kg (packaged): 2.608  
Packing: 310 x 130 x 190  
Masterbox: 2

The photograph may not match the reference exactly. Please read the product description to identify the finish.

# LEDS C4

## Luminaire

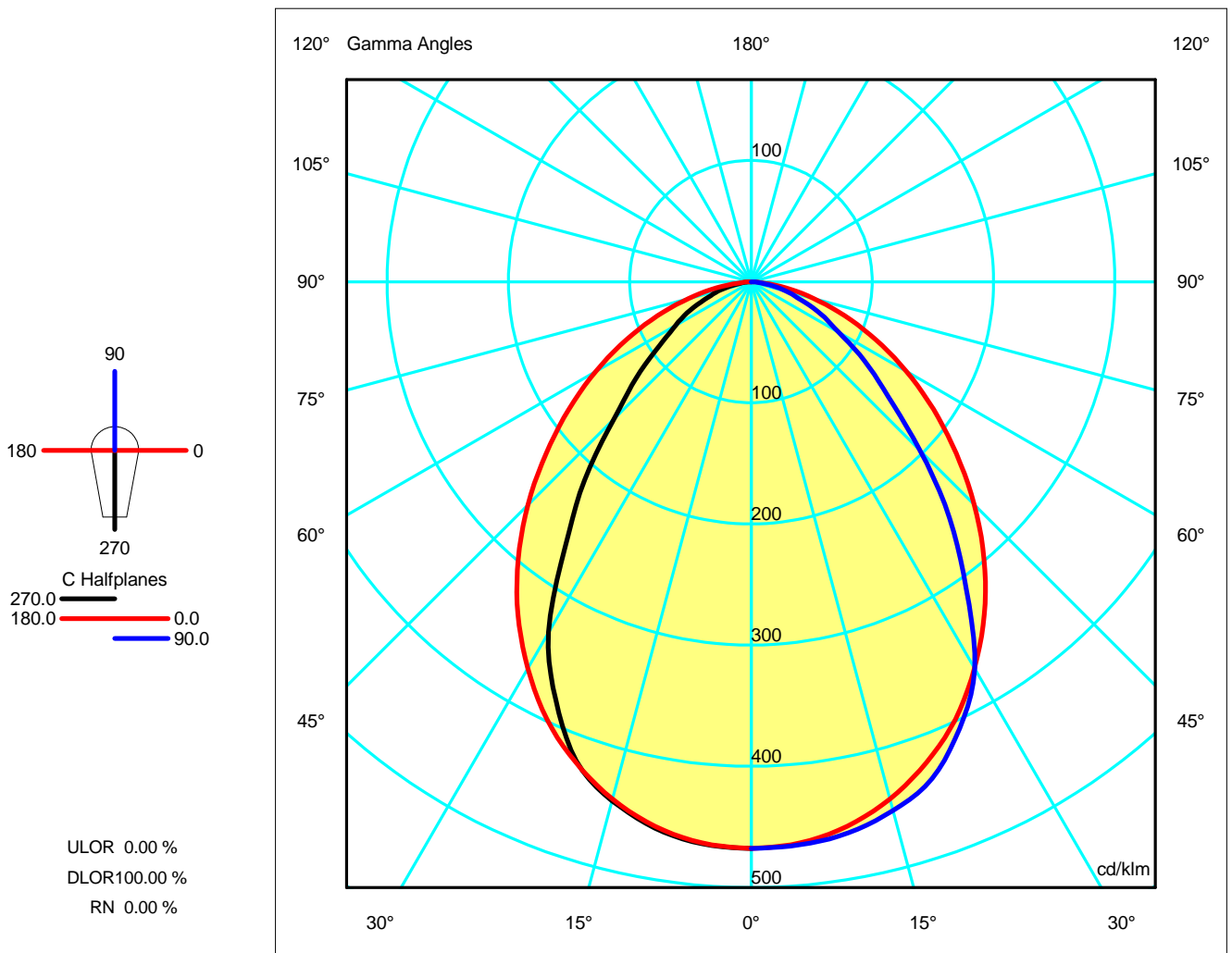
Code 05-6579-Z5-CLU  
Name Aplique AFRODITA 20 leds 19W

## Measurerm.

Code 05-9879-Z5-CL  
Name Aplique AFRODITA 20 leds 19W

Luminaire Flux	1670.35 lm	Luminaire Power	20.00 W	Efficacy	83.52 lm/W	Efficiency	100.00%
Lamps Flux	1670.35 lm	Maximum value	467.72 cd/klm	Position	C=0.00 G=0.00	CG Sym. on planes	270-90
Rectangular Luminaire Rectangular Luminous Area	Length Length	178 mm 65 mm	Width Width	300 mm 265 mm	Height Height	120 mm 0 mm	
Horizontal Luminous Area Emitting area on Plane 0° Emitting area on Plane 90°	0.017225 m2 0.000000 m2 0.000000 m2	Emitting area on Plane 180° Emitting area on Plane 270° Glare area at 76°	0.000000 m2 0.000000 m2 0.004167 m2				
Coordinate system Date Measurement Distance	CG Roads 09-05-2018 0.00	Symmetry Type Maximum Gamma Angle Measurement Flux	Sym. on planes 270-90 90 1670.35 lm				
Operator Temperature Humidity Notes	LEDS 25.00 °C 60.00 %	Source Voltage [V] Source current [A] Photocell					

Line	Code	Luminaire Lamps Name	Flux [lm]	Pow. [W]	Q.ty
	05-6579-Z5-CLU	05-6579-Z5-CLU	1670.35	20.00	1
C.I.E.	58 86 98 100 100	D DIN 5040	A40		



**Luminaire**

Code 05-6579-Z5-CLU  
Name Aplique AFRODITA 20 leds 19W

**Measurerm.**

Code 05-9879-Z5-CL  
Name Aplique AFRODITA 20 leds 19W

Luminaire Flux	1670.35 lm	Luminaire Power	20.00 W	Efficacy	83.52 lm/W	Efficiency	100.00%
Lamps Flux	1670.35 lm	Maximum value	467.72 cd/klm	Position	C=0.00 G=0.00	CG	Sym. on planes 270-90

**Luminous Intensity Table cd/klm Table 1/1**

	C 270.00	C 285.00	C 300.00	C 315.00	C 330.00	C 345.00	C 0.00	C 15.00	C 30.00	C 45.00	C 60.00	C 75.00	C 90.00
G 0.0	467.72	467.72	467.72	467.72	467.72	467.72	467.72	467.72	467.72	467.72	467.72	467.72	467.72
G 5.0	465.61	466.93	465.17	466.71	464.53	466.23	464.87	463.49	466.01	463.94	466.09	464.60	466.37
G 10.0	457.74	461.91	457.55	460.84	455.96	459.02	456.26	453.94	458.71	456.40	460.53	457.78	461.89
G 15.0	443.37	450.06	443.29	449.86	441.54	447.54	441.98	438.91	447.88	442.35	451.45	445.27	451.83
G 20.0	421.10	432.62	421.68	432.83	422.29	428.47	422.38	418.07	430.78	425.25	433.57	426.38	436.37
G 25.0	380.99	399.32	392.82	408.04	396.18	407.02	398.43	395.53	408.70	398.81	411.77	392.99	406.71
G 30.0	334.05	359.48	347.35	377.47	364.84	377.65	368.20	361.56	380.42	367.20	377.31	352.14	368.56
G 35.0	267.46	302.92	299.92	336.21	331.08	345.52	335.19	330.11	347.12	325.69	332.46	290.73	309.27
G 40.0	213.72	245.57	240.63	293.93	286.06	308.42	298.70	290.84	309.25	280.07	279.89	237.28	254.64
G 45.0	159.54	189.91	190.95	239.90	247.34	269.44	260.15	252.53	267.16	234.86	225.62	183.40	196.86
G 50.0	124.00	144.88	145.71	196.31	201.09	229.96	220.84	213.64	224.07	183.00	174.70	137.82	147.98
G 55.0	92.37	109.39	111.73	150.96	163.29	191.22	183.50	175.29	182.40	144.53	133.17	103.51	114.42
G 60.0	71.88	83.43	83.67	116.63	126.78	153.97	147.65	138.46	146.03	105.88	99.57	77.38	83.41
G 65.0	55.06	64.47	61.90	86.82	94.32	119.79	113.63	105.11	109.99	79.27	73.02	57.01	63.72
G 70.0	38.16	45.52	43.40	61.94	66.28	90.15	82.12	77.17	80.02	52.69	53.25	38.83	43.76
G 75.0	25.92	31.99	27.71	41.08	41.66	59.32	53.29	45.73	51.90	32.84	33.88	24.91	29.74
G 80.0	13.10	18.16	15.46	23.54	22.28	35.07	28.96	23.81	28.26	14.96	18.62	10.75	15.13
G 85.0	4.93	8.11	4.45	9.63	5.79	13.51	8.48	4.66	9.62	3.40	6.32	2.80	5.62
G 90.0	0.85	0.85	0.82	0.82	0.78	0.76	0.70	0.75	0.80	0.82	0.85	0.84	0.92

# LEDS C4

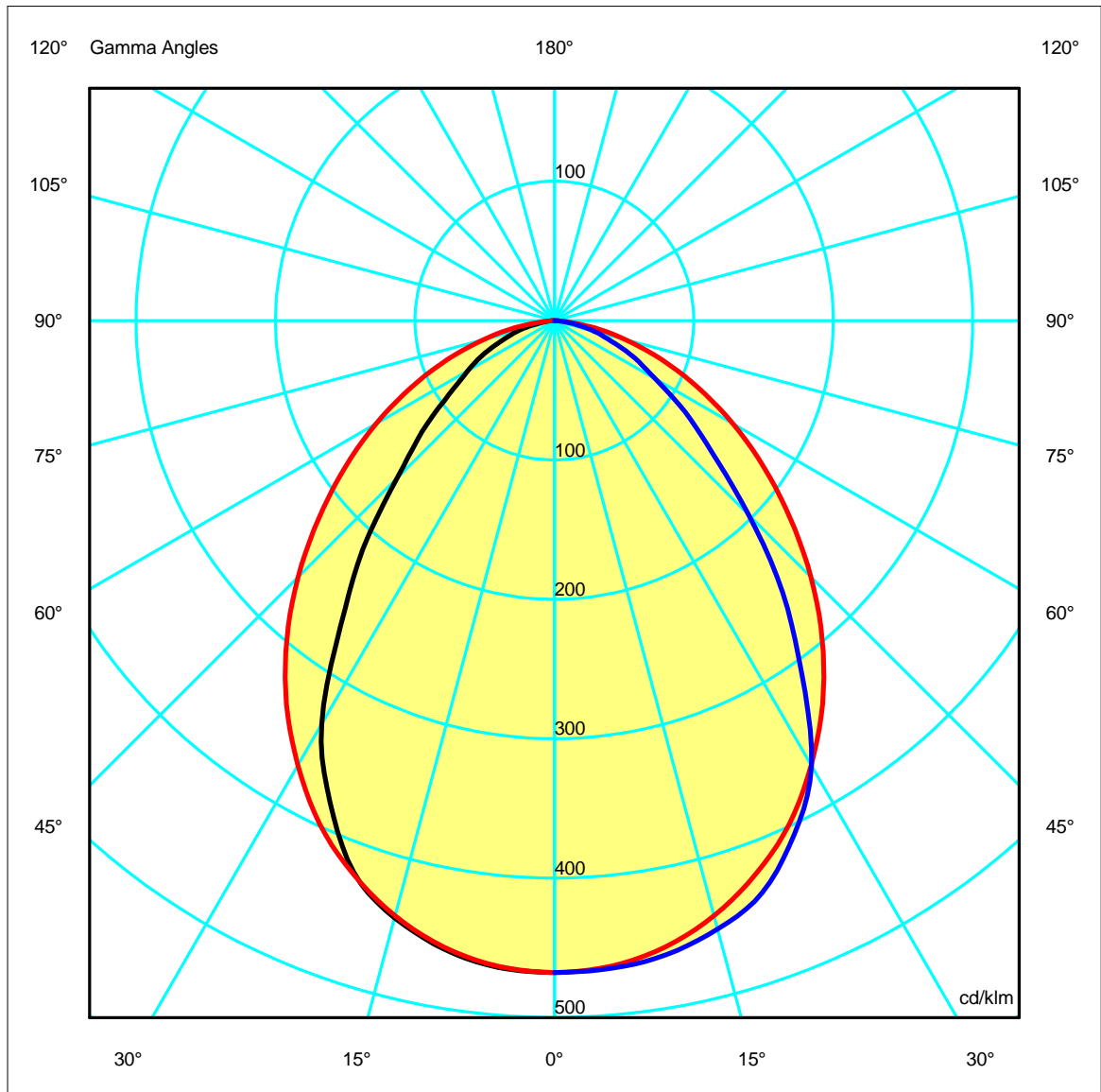
**Luminaire**

Code 05-6579-Z5-CLU  
 Name Applique AFRODITA 20 leds 19W

**Measur.**

Code 05-9879-Z5-CL  
 Name Applique AFRODITA 20 leds 19W

Luminaire Flux	1670.35 lm	Luminaire Power	20.00 W	Efficacy	83.52 lm/W	Efficiency	100.00%
Lamps Flux	1670.35 lm	Maximum value	467.72 cd/klm	Position	C=0.00 G=0.00	CG	Sym. on planes 270-90



# LEDS C4<sup>®</sup>

## Luminaire

Code 05-6579-Z5-CLU  
Name Aplique AFRODITA 20 leds 19W

## Measurment

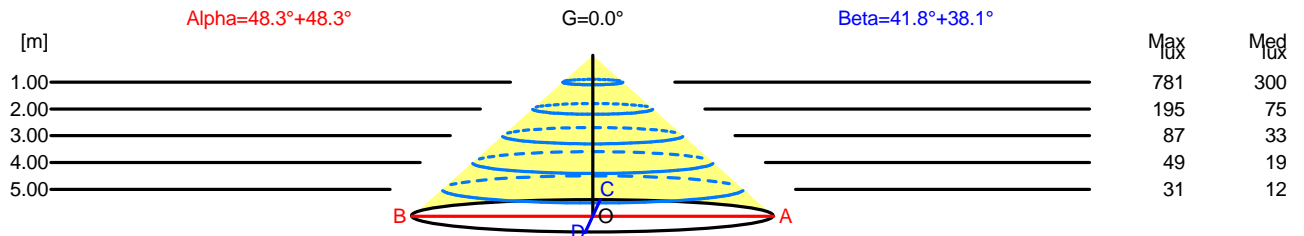
Code 05-9879-Z5-CL  
Name Aplique AFRODITA 20 leds 19W

Luminaire Flux	1670.35 lm	Luminaire Power	20.00 W	Efficacy	83.52 lm/W	Efficiency	100.00%
Lamps Flux	1670.35 lm	Maximum value	467.72 cd/klm	Position	C=0.00 G=0.00	CG Sym. on planes 270-90	

Width at 50.00 % of Max Intensity

H[m]	1.00	2.00	3.00	4.00	5.00	H[m]	1.00	2.00	3.00	4.00	5.00
OA	1.12	2.25	3.37	4.49	5.62	OC	0.89	1.79	2.68	3.58	4.47
OB	1.12	2.25	3.37	4.49	5.62	OD	0.78	1.57	2.35	3.13	3.91

	Luminous Intensities [ cd/klm]									
	0	5	15	25	35	45	55	65	75	85
OA	781.26	776.50	738.26	665.51	559.89	434.55	306.51	189.81	89.01	14.17
OB	781.26	776.50	738.26	665.51	559.89	434.55	306.51	189.81	89.01	14.17
OC	781.26	779.01	754.72	679.35	516.59	328.82	191.13	106.44	49.67	9.38
OD	781.26	777.74	740.58	636.39	446.75	266.49	154.29	91.98	43.30	8.23



H[m]	D[m]	Max lux	Med lux	Alpha=48.3°+48.3°	G=0.0
1.00	2.25	781	300		
2.00	4.49	195	75		
3.00	6.74	87	33		
4.00	8.99	49	19		
5.00	11.24	31	12		

H[m]	D[m]	Max lux	Med lux	Beta=38.1°+41.8°	G=0.0
1.00	1.68	781	300		
2.00	3.35	195	75		
3.00	5.03	87	33		
4.00	6.71	49	19		
5.00	8.39	31	12		

**Luminaire**

Code 05-6579-Z5-CLU  
Name Aplique AFRODITA 20 leds 19W

**Measurement**

Code 05-9879-Z5-CL  
Name Aplique AFRODITA 20 leds 19W

Luminaire Flux	1670.35 lm	Luminaire Power	20.00 W	Efficacy	83.52 lm/W	Efficiency	100.00%
Lamps Flux	1670.35 lm	Maximum value	467.72 cd/klm	Position	C=0.00 G=0.00	CG	Sym. on planes 270-90

**UGR**  
S = 0.250

Reflectancies										
Ceiling/Cavity	0.7	0.7	0.5	0.5	0.3	0.7	0.7	0.5	0.5	0.3
Walls	0.5	0.3	0.5	0.3	0.3	0.5	0.3	0.5	0.3	0.3
WorkingPlane	0.2	0.2	0.2	0.2	0.2	0.2	0.2	0.2	0.2	0.2
RoomDimensions	Viewed Crosswise					Viewed Endwise				
x=2H y=2H	24.3	25.5	24.6	25.7	26.0	21.6	22.7	21.8	23.0	23.2
x=2H y=3H	25.7	26.7	26.0	27.0	27.2	22.4	23.5	22.7	23.7	24.0
x=2H y=4H	26.1	27.1	26.5	27.4	27.7	22.8	23.8	23.1	24.1	24.3
x=2H y=6H	26.5	27.4	26.8	27.7	28.0	23.0	23.9	23.4	24.2	24.5
x=2H y=8H	26.5	27.4	26.9	27.7	28.0	23.1	24.0	23.4	24.3	24.6
x=2H y=12H	26.6	27.4	26.9	27.7	28.1	23.1	23.9	23.5	24.3	24.6
x=4H y=2H	24.6	25.6	25.0	25.9	26.2	22.4	23.4	22.8	23.7	24.0
x=4H y=3H	26.2	27.0	26.6	27.3	27.7	23.4	24.2	23.8	24.5	24.9
x=4H y=4H	26.8	27.6	27.2	27.9	28.3	23.8	24.6	24.2	24.9	25.3
x=4H y=6H	27.3	27.9	27.7	28.3	28.7	24.2	24.8	24.6	25.2	25.6
x=4H y=8H	27.4	28.0	27.8	28.4	28.8	24.3	24.9	24.7	25.2	25.6
x=4H y=12H	27.4	28.0	27.9	28.4	28.8	24.3	24.9	24.8	25.3	25.7
x=8H y=4H	26.9	27.5	27.3	27.9	28.3	24.2	24.8	24.6	25.2	25.6
x=8H y=6H	27.4	27.9	27.9	28.3	28.8	24.6	25.1	25.1	25.5	26.0
x=8H y=8H	27.6	28.0	28.1	28.5	29.0	24.8	25.2	25.2	25.6	26.1
x=8H y=12H	27.7	28.1	28.2	28.5	29.1	24.9	25.2	25.4	25.7	26.2
x=12H y=4H	26.9	27.4	27.3	27.8	28.2	24.3	24.8	24.7	25.2	25.6
x=12H y=6H	27.4	27.9	27.9	28.3	28.8	24.7	25.1	25.2	25.6	26.0
x=12H y=8H	27.6	28.0	28.1	28.5	29.0	24.9	25.2	25.3	25.7	26.2

# LEDS C4<sup>®</sup>

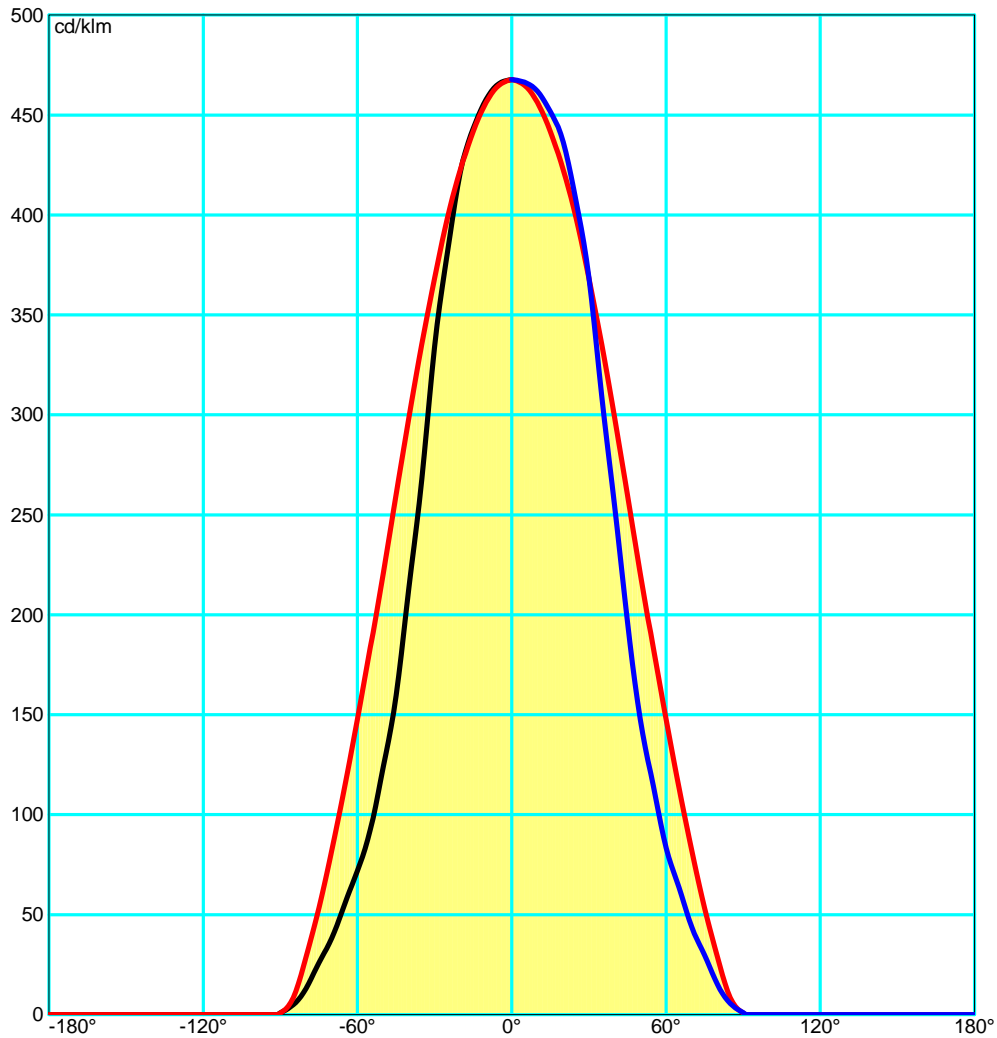
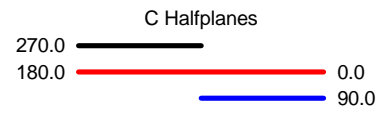
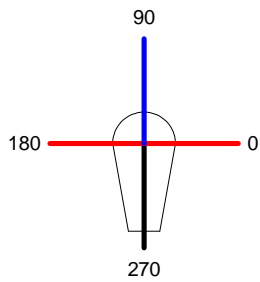
## Luminaire

Code 05-6579-Z5-CLU  
Name Aplique AFRODITA 20 leds 19W

## Measur.

Code 05-9879-Z5-CL  
Name Aplique AFRODITA 20 leds 19W

Luminaire Flux	1670.35 lm	Luminaire Power	20.00 W	Efficacy	83.52 lm/W	Efficiency	100.00%
Lamps Flux	1670.35 lm	Maximum value	467.72 cd/klm	Position	C=0.00 G=0.00	CG	Sym. on planes 270-90



# LEDS C4<sup>®</sup>

**Luminaire**

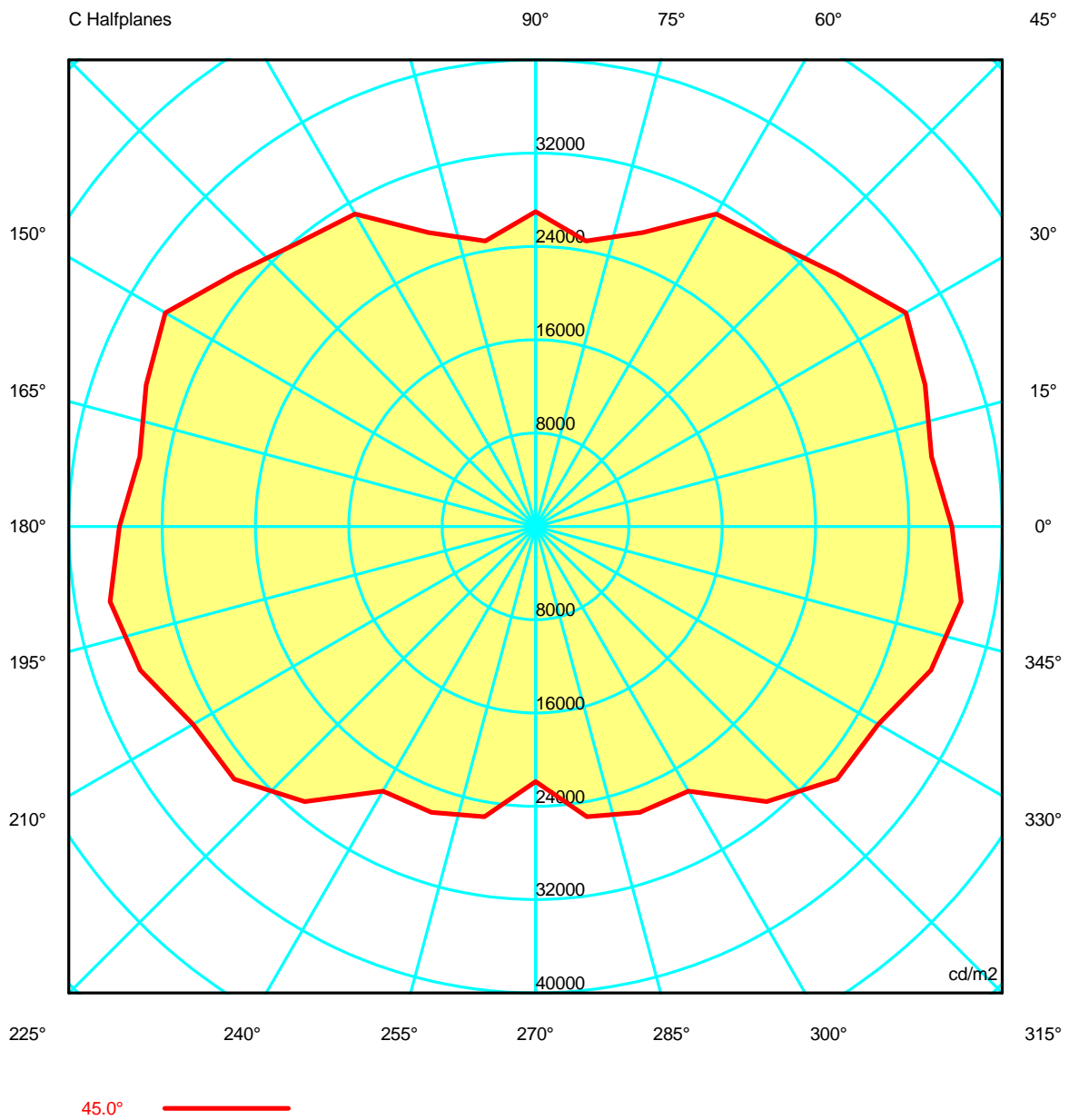
Code 05-6579-Z5-CLU  
 Name Aplique AFRODITA 20 leds 19W

**Measur.**

Code 05-9879-Z5-CL  
 Name Aplique AFRODITA 20 leds 19W

Luminaire Flux	1670.35 lm	Luminaire Power	20.00 W	Efficacy	83.52 lm/W	Efficiency	100.00%
Lamps Flux	1670.35 lm	Maximum value	467.72 cd/klm	Position	C=0.00 G=0.00	CG	Sym. on planes 270-90

Luminance





**Luminaire**

Code 05-6579-Z5-CLU  
Name Aplique AFRODITA 20 leds 19W

**Measurerm.**

Code 05-9879-Z5-CL  
Name Aplique AFRODITA 20 leds 19W

Luminaire Flux	1670.35 lm	Luminaire Power	20.00 W	Efficacy	83.52 lm/W	Efficiency	100.00%
Lamps Flux	1670.35 lm	Maximum value	467.72 cd/klm	Position	C=0.00 G=0.00	CG	Sym. on planes 270-90

**Luminance cd/m2 Table 1/3**

	C 0.00	C 10.00	C 20.00	C 30.00	C 40.00	C 50.00	C 60.00	C 70.00	C 80.00	C 90.00	C 100.00	C 110.00	C 120.00
G 0.0	45355.99	45355.99	45355.99	45355.99	45355.99	45355.99	45355.99	45355.99	45355.99	45355.99	45355.99	45355.99	45355.99
G 5.0	45252.06	45110.98	45203.72	45363.13	45215.32	45209.09	45370.48	45278.13	45237.79	45398.25	45237.79	45278.13	45370.48
G 10.0	44927.52	44679.60	44855.40	45168.86	44993.85	45051.30	45347.35	45167.35	45120.39	45481.80	45120.39	45167.35	45347.35
G 15.0	44372.03	43979.99	44390.24	44963.97	44527.87	44656.28	45322.54	44929.13	44740.20	45361.02	44740.20	44929.13	45322.54
G 20.0	43587.59	43049.05	43585.74	44454.97	44039.37	44113.77	44742.92	44235.38	44110.78	45031.24	44110.78	44235.38	44742.92
G 25.0	42630.43	42122.21	42873.05	43730.07	42884.18	43105.41	44057.79	42696.59	42080.51	43517.20	42080.51	42696.59	44057.79
G 30.0	41228.48	40313.58	41243.78	42597.68	41519.60	41468.45	42249.11	40296.75	39449.40	41269.61	39449.40	40296.75	42249.11
G 35.0	39680.39	38828.70	39908.96	41092.47	39244.61	38852.56	39356.70	35917.21	34254.55	36611.60	34254.55	35917.21	39356.70
G 40.0	37811.36	36598.11	37783.68	39148.10	36600.45	35446.12	35430.55	31642.83	29833.92	32234.82	29833.92	31642.83	35430.55
G 45.0	35677.41	34454.55	35522.58	36638.46	33681.54	31723.93	30942.14	26830.67	24852.60	26997.22	24852.60	26830.67	30942.14
G 50.0	33316.69	32025.35	32754.27	33803.63	29595.28	26932.30	26356.30	22457.74	20432.32	22324.70	20432.32	22457.74	26356.30
G 55.0	31024.00	29569.49	30035.89	30837.79	26549.53	23505.83	22514.76	18922.55	17304.58	19345.01	17304.58	18922.55	22514.76
G 60.0	28635.86	26832.33	27342.96	28320.82	23049.51	19601.53	19310.66	16339.70	14706.06	16177.44	14706.06	16339.70	19310.66
G 65.0	26074.18	24185.53	24491.29	25237.69	20492.86	17240.29	16754.55	14156.24	12961.88	14621.31	12961.88	14156.24	16754.55
G 70.0	23284.40	21696.82	22149.49	22688.05	17238.08	14446.26	15098.17	12353.29	10743.50	12406.95	10743.50	12353.29	15098.17
G 75.0	19966.40	17242.43	18198.40	19445.63	14545.12	11845.79	12695.20	10434.11	9250.11	11141.80	9250.11	10434.11	12695.20
G 80.0	16172.36	13280.95	14509.25	15783.95	10482.57	8451.68	10397.93	7504.50	5878.59	8451.76	5878.59	7504.50	10397.93
G 85.0	9438.08	5071.10	7246.87	10700.09	5863.70	4187.70	7034.19	4510.56	3167.95	6251.11	3167.95	4510.56	7034.19
G 90.0	0.00	0.00	0.00	0.00	0.00	0.00	0.00	0.00	0.00	0.00	0.00	0.00	0.00

**Luminaire**

Code 05-6579-Z5-CLU  
Name Aplique AFRODITA 20 leds 19W

**Measurerm.**

Code 05-9879-Z5-CL  
Name Aplique AFRODITA 20 leds 19W

Luminaire Flux	1670.35 lm	Luminaire Power	20.00 W	Efficacy	83.52 lm/W	Efficiency	100.00%
Lamps Flux	1670.35 lm	Maximum value	467.72 cd/klm	Position	C=0.00 G=0.00	CG	Sym. on planes 270-90

**Luminance cd/m2 Table 2/3**

	C 130.00	C 140.00	C 150.00	C 160.00	C 170.00	C 180.00	C 190.00	C 200.00	C 210.00	C 220.00	C 230.00	C 240.00	C 250.00
G 0.0	45355.99	45355.99	45355.99	45355.99	45355.99	45355.99	45355.99	45355.99	45355.99	45355.99	45355.99	45355.99	45355.99
G 5.0	45209.09	45215.32	45363.13	45203.72	45110.98	45252.06	45384.87	45322.22	45218.74	45374.18	45398.93	45280.52	45392.13
G 10.0	45051.30	44993.85	45168.86	44855.40	44679.60	44927.52	45192.53	45081.06	44897.49	45254.55	45304.07	45054.49	45345.18
G 15.0	44656.28	44527.87	44963.97	44390.24	43979.99	44372.03	44898.18	44710.89	44327.96	44948.82	45012.51	44503.10	44952.49
G 20.0	44113.77	44039.37	44454.97	43585.74	43049.05	43587.59	44196.64	43956.29	43578.53	44440.08	44355.13	43516.04	44272.50
G 25.0	43105.41	42884.18	43730.07	42873.05	42122.21	42630.43	43500.70	43141.72	42390.58	43377.39	43258.32	42030.69	42507.30
G 30.0	41468.45	41519.60	42597.68	41243.78	40313.58	41228.48	42290.85	41742.46	40852.41	42129.70	41295.84	38894.50	39761.51
G 35.0	38852.56	39244.61	41092.47	39908.96	38828.70	39680.39	40861.56	40337.73	39193.27	39965.15	38522.42	35504.89	35735.28
G 40.0	35446.12	36600.45	39148.10	37783.68	36598.11	37811.36	39188.03	38042.99	36211.51	37442.56	35236.18	30461.42	30668.22
G 45.0	31723.93	33681.54	36638.46	35522.58	34454.55	35677.41	37045.28	36045.12	33920.54	33712.50	30781.24	26186.15	26091.62
G 50.0	26932.30	29595.28	33803.63	32754.27	32025.35	33316.69	34915.46	33351.91	30337.20	29856.38	27299.38	21981.69	21898.24
G 55.0	23505.83	26549.53	30837.79	30035.89	29569.49	31024.00	32579.44	30981.19	27606.53	26516.83	23399.41	18889.19	18625.74
G 60.0	19601.53	23049.51	28320.82	27342.96	26832.33	28635.86	30238.95	28316.79	24589.22	23524.58	20580.68	16226.53	16196.41
G 65.0	17240.29	20492.86	25237.69	24491.29	24185.53	26074.18	27871.47	25776.85	21641.96	20650.29	18088.54	14203.02	14354.60
G 70.0	14446.26	17238.08	22688.05	22149.49	21696.82	23284.40	25750.46	23650.22	18792.84	18004.93	15955.61	12303.82	12476.47
G 75.0	11845.79	14545.12	19445.63	18198.40	17242.43	19966.40	22562.71	20235.36	15610.35	15464.69	13888.12	10380.38	11255.25
G 80.0	8451.68	10482.57	15783.95	14509.25	13280.95	16172.36	19658.28	17493.36	12439.37	12909.45	11917.43	8632.22	9498.25
G 85.0	4187.70	5863.70	10700.09	7246.87	5071.10	9438.08	14860.57	12368.71	6439.48	9456.65	9344.60	4951.77	7455.66
G 90.0	0.00	0.00	0.00	0.00	0.00	0.00	0.00	0.00	0.00	0.00	0.00	0.00	0.00

**Luminaire**

Code 05-6579-Z5-CLU  
Name Aplique AFRODITA 20 leds 19W

**Measur.**

Code 05-9879-Z5-CL  
Name Aplique AFRODITA 20 leds 19W

Luminaire Flux	1670.35 lm	Luminaire Power	20.00 W	Efficacy	83.52 lm/W	Efficiency	100.00%
Lamps Flux	1670.35 lm	Maximum value	467.72 cd/klm	Position	C=0.00 G=0.00	CG	Sym. on planes 270-90

**Luminance cd/m2 Table 3/3**

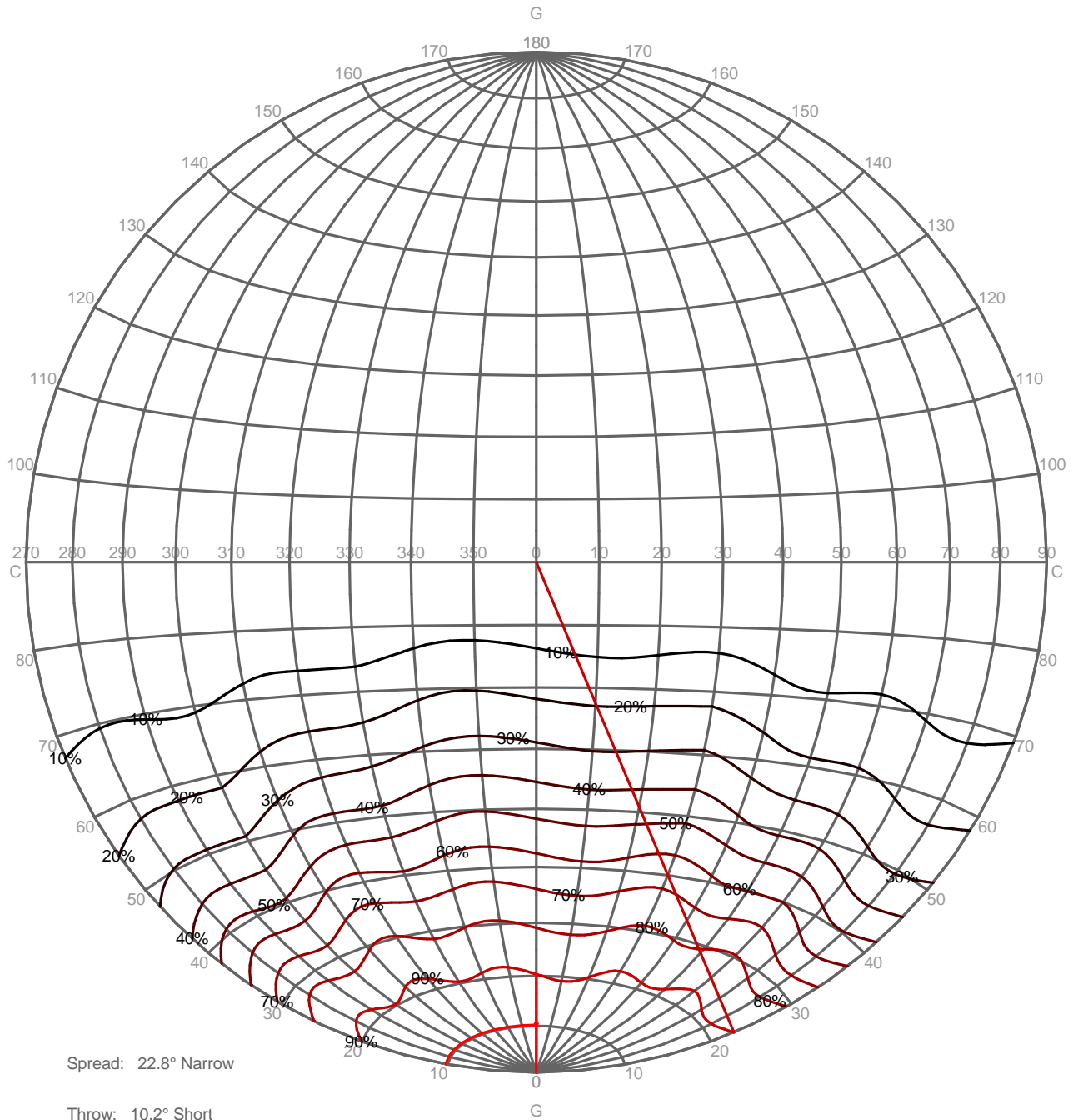
	C 260.00	C 270.00	C 280.00	C 290.00	C 300.00	C 310.00	C 320.00	C 330.00	C 340.00	C 350.00
G 0.0	45355.99	45355.99	45355.99	45355.99	45355.99	45355.99	45355.99	45355.99	45355.99	45355.99
G 5.0	45451.50	45324.14	45451.50	45392.13	45280.52	45398.93	45374.18	45218.74	45322.22	45384.87
G 10.0	45457.00	45072.56	45457.00	45345.18	45054.49	45304.07	45254.55	44897.49	45081.06	45192.53
G 15.0	45142.46	44510.97	45142.46	44952.49	44503.10	45012.51	44948.82	44327.96	44710.89	44898.18
G 20.0	44559.04	43455.47	44559.04	44272.50	43516.04	44355.13	44440.08	43578.53	43956.29	44196.64
G 25.0	42423.92	40764.89	42423.92	42507.30	42030.69	43258.32	43377.39	42390.58	43141.72	43500.70
G 30.0	39887.21	37404.83	39887.21	39761.51	38894.50	41295.84	42129.70	40852.41	41742.46	42290.85
G 35.0	35077.65	31662.34	35077.65	35735.28	35504.89	38522.42	39965.15	39193.27	40337.73	40861.56
G 40.0	30464.88	27054.06	30464.88	30668.22	30461.42	35236.18	37442.56	36211.51	38042.99	39188.03
G 45.0	25276.55	21879.62	25276.55	26091.62	26186.15	30781.24	33712.50	33920.54	36045.12	37045.28
G 50.0	21365.34	18706.45	21365.34	21898.24	21981.69	27299.38	29856.38	30337.20	33351.91	34915.46
G 55.0	17987.48	15616.78	17987.48	18625.74	18889.19	23399.41	26516.83	27606.53	30981.19	32579.44
G 60.0	15861.95	13940.42	15861.95	16196.41	16226.53	20580.68	23524.58	24589.22	28316.79	30238.95
G 65.0	14554.44	12634.69	14554.44	14354.60	14203.02	18088.54	20650.29	21641.96	25776.85	27871.47
G 70.0	12677.74	10819.49	12677.74	12476.47	12303.82	15955.61	18004.93	18792.84	23650.22	25750.46
G 75.0	11839.81	9712.18	11839.81	11255.25	10380.38	13888.12	15464.69	15610.35	20235.36	22562.71
G 80.0	9847.68	7314.70	9847.68	9498.25	8632.22	11917.43	12909.45	12439.37	17493.36	19658.28
G 85.0	8959.83	5480.38	8959.83	7455.66	4951.77	9344.60	9456.65	6439.48	12368.71	14860.57
G 90.0	0.00	0.00	0.00	0.00	0.00	0.00	0.00	0.00	0.00	0.00

**Luminaire**  
 Code 05-6579-Z5-CLU  
 Name Aplique AFRODITA 20 leds 19W  
**Measur.**  
 Code 05-9879-Z5-CL  
 Name Aplique AFRODITA 20 leds 19W

Luminaire Flux	1670.35 lm	Luminaire Power	20.00 W	Efficacy	83.52 lm/W	Efficiency	100.00%
Lamps Flux	1670.35 lm	Maximum value	467.72 cd/klm	Position	C=0.00 G=0.00	CG	Sym. on planes 270-90

## PERCENTAGE ISOCANDLES

Projection: Equal Area SLI 6.4 Tight Tilting Angle:0°



# LEDS C4<sup>®</sup>

**Luminaire**

Code 05-6579-Z5-CLU  
 Name Aplique AFRODITA 20 leds 19W

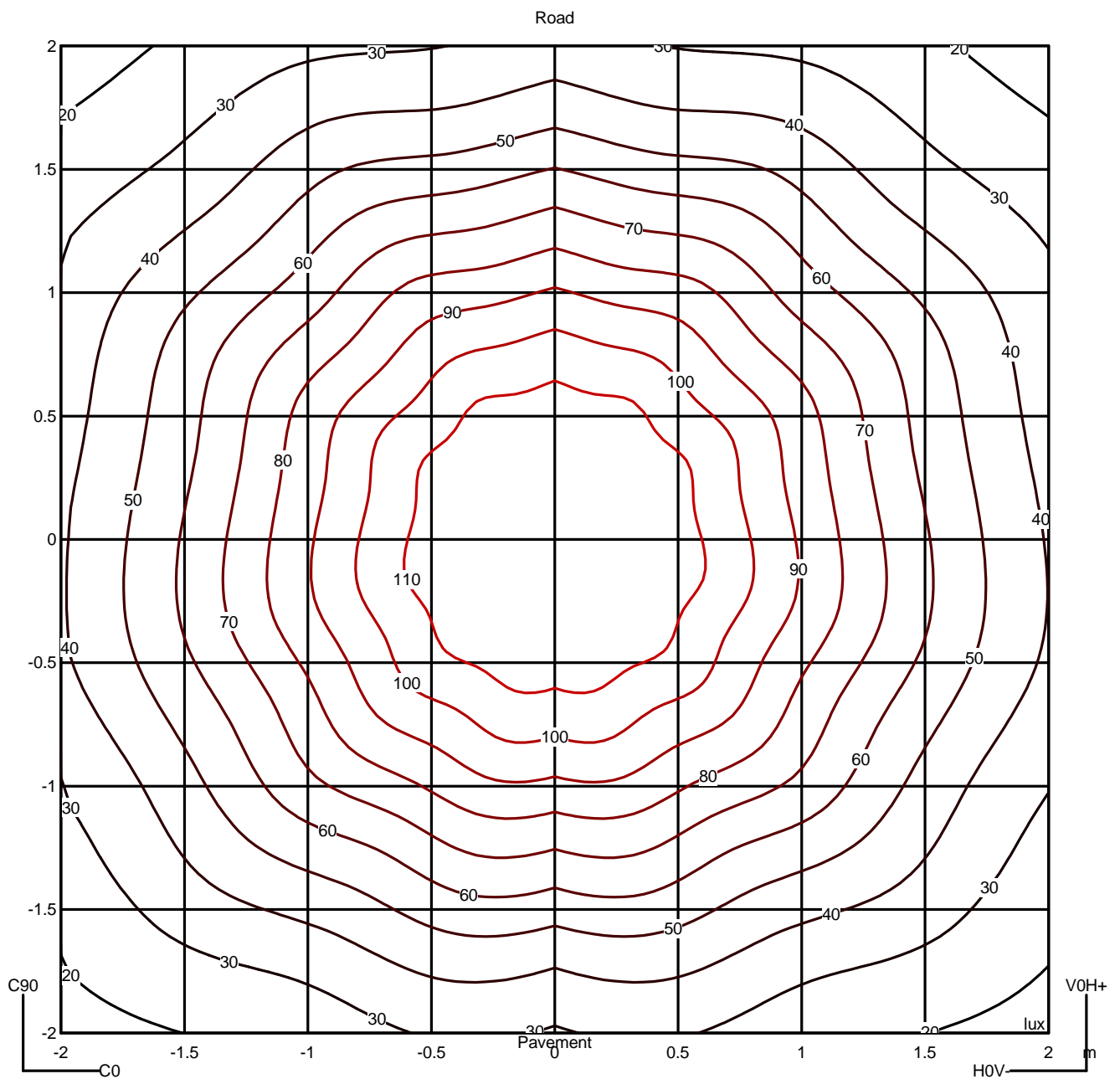
**Measur.**

Code 05-9879-Z5-CL  
 Name Aplique AFRODITA 20 leds 19W

Luminaire Flux	1670.35 lm	Luminaire Power	20.00 W	Efficacy	83.52 lm/W	Efficiency	100.00%
Lamps Flux	1670.35 lm	Maximum value	467.72 cd/klm	Position	C=0.00 G=0.00	CG	Sym. on planes 270-90

Isolux (Floor)

Luminaire position X=0.00m Y=0.00m Z=2.50m



# LEDS C4

**Luminaire**

Code 05-6579-Z5-CLU  
 Name Aplique AFRODITA 20 leds 19W

**Measurement**

Code 05-9879-Z5-CL  
 Name Aplique AFRODITA 20 leds 19W

Luminaire Flux	1670.35 lm	Luminaire Power	20.00 W	Efficacy	83.52 lm/W	Efficiency	100.00%
Lamps Flux	1670.35 lm	Maximum value	467.72 cd/klm	Position	C=0.00 G=0.00	CG	Sym. on planes 270-90

		Average Luminance [cd/m <sup>2</sup> ]									
		45°	50°	55°	60°	65°	70°	75°	80°	85°	
0.0°		35677	33317	31024	28636	26074	23284	19966	16172	9438	---
90.0°		26997	22325	19345	16177	14621	12407	11142	8452	6251	---

Flush mounted or longitudinal view												
		Illumination(Ix)										
A	A	2000	1000	750	500		<300					1.15
B	1		2000	1500	1000	750	500	<300				1.5
C					2000		1000	500	<300			1.85
D	2						2000	1000	500	<300		2.2
E	3							2000	1000	500	<300	2.55

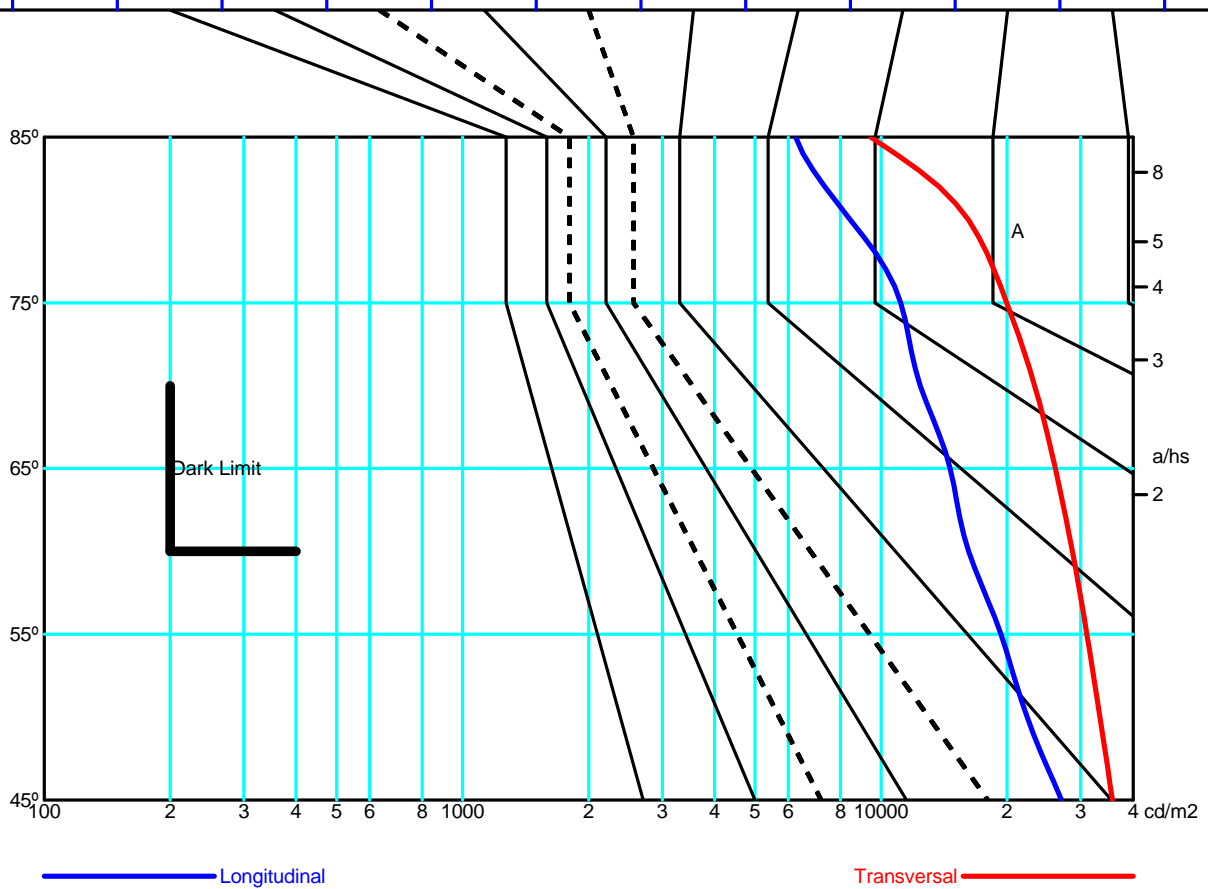
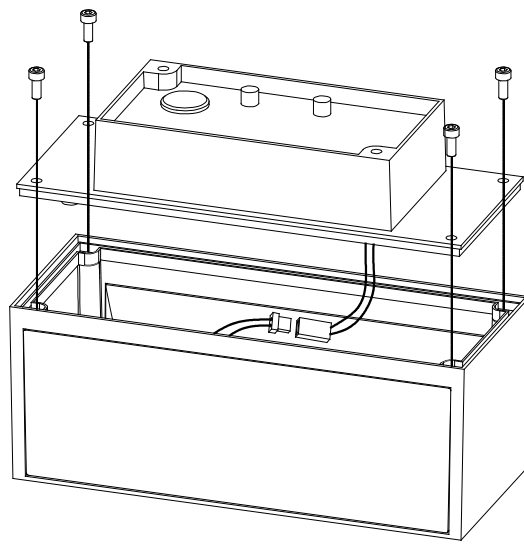
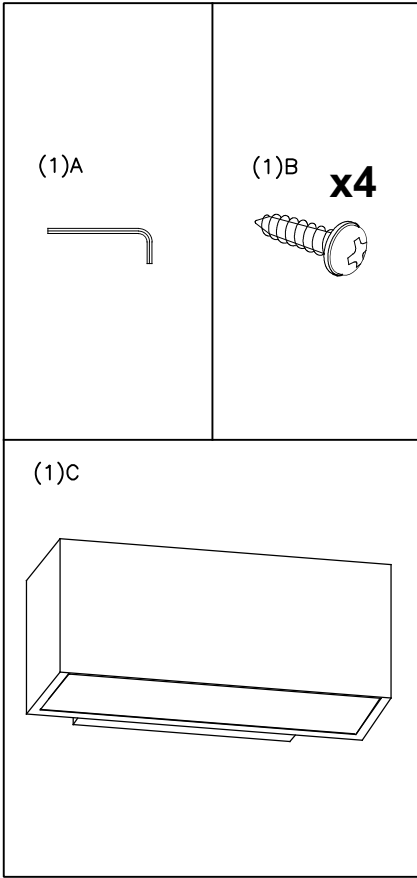


FIGURE N° 1. UNPACK THE FIXTURE: CHECK THE CONTENTS OF THE BOX. YOU SHOULD RECEIVE:

FIGURE N° 1. DÉBALLER LE PLAFONIER: VÉRIFIER LE CONTENU DU CARTON, VOUS DEVEZ RECEVOIR:

⑥

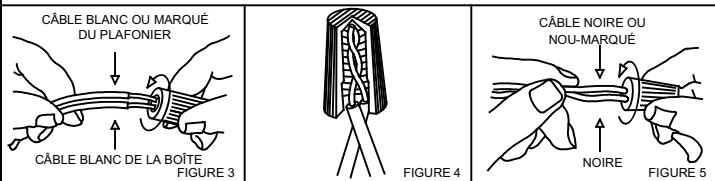
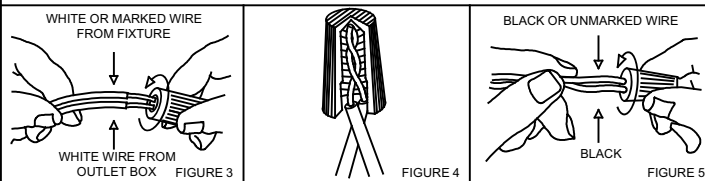


**INSTALLATION INSTRUCTIONS FOR HANGING FIXTURES**

**INSTRUCTIONS D'INSTALLATION POUR PLAFONNIERS**

FIGURE 3, 4 AND 5 MOUNTING HARDWARE.  
 NOTE: TEST THE CONNECTOR BY GENTLY PULLING IT. IF IT PULLS OUT THE CONNECTION, TRY AGAIN TILL YOU HAVE A FIRM CONNECTION. MAKE SURE NO BARE STRANDS OF WIRE STICK OUT FROM THE CONNECTORS.

FIGURE 3, 4 ET 5 MONTAGE DE L'ÉQUIPE.  
 IMPORTANT: ESSAYER DE TIRER LE CÂBLE D'ALIMENTATION DOUCEMENT. S'IL SORT DE LA CONNECTION, IL FAUDRAIT ASSURER QUE LA CONNECTION SOIT FERME. S'ASSURER QUE LES FILS DES CÂBLES NE SONT PAS À DÉCOUVERT DU CONNECTEUR.



**CAUTION:**  
 "Warning", "This product is to be installed by a qualified electrician only."  
 "Product to be mounted recessed below ground"  
 "Suitable for wet locations"  
 "This luminaire must be mounted or supported independently of an outlet box"

**ATTENTION:**  
 "Warning", "This product is to be installed by a qualified electrician only."  
 "Product to be mounted recessed below ground"  
 "Suitable for wet locations"  
 "This luminaire must be mounted or supported independently of an outlet box"

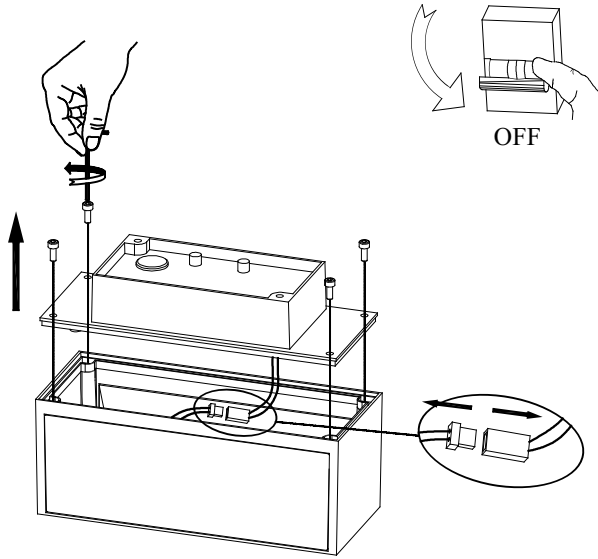
**CAUTION:**  
 1.- Wrong lighting installation can be dangerous for your safety.  
 2.- Before starting, disconnect the power by turning off the general switch of the electric installation.  
 3.- Install light bulbs (not provided) that must not exceed markings on the fixture.  
 4.- To change the bulbs, disconnect the power by turning off the general switch and wait for the bulbs cool down.  
**INSTALLATION:**  
 1.- Make electrical connections, carefully read the Electrical Connection section.  
 2.- Assemble lighting as shown on fig. 6,7,8,9,10,11 & 12.

**ATTENTION:**  
 1. Une mauvaise installation peut compromettre votre sécurité.  
 2. Déconnecter la tension du réseau d'alimentation avant de réaliser toute opération.  
 3. Installer les ampoules (non fournies), ne pas utiliser d'ampoules d'un autre type ou d'une puissance supérieure à celle indiquée sur l'étiquette de la lampe.  
 4. Pour changer les ampoules, déconnecter la tension du réseau d'alimentation et laisser refroidir les ampoules.  
**INSTALLATION:**  
 1. Connecter au réseau, lire attentivement la section de "Raccordements électriques"  
 2. Installer l'appareil comme indiqué dans les dessins 6,7,8,9,10,11 et 12.

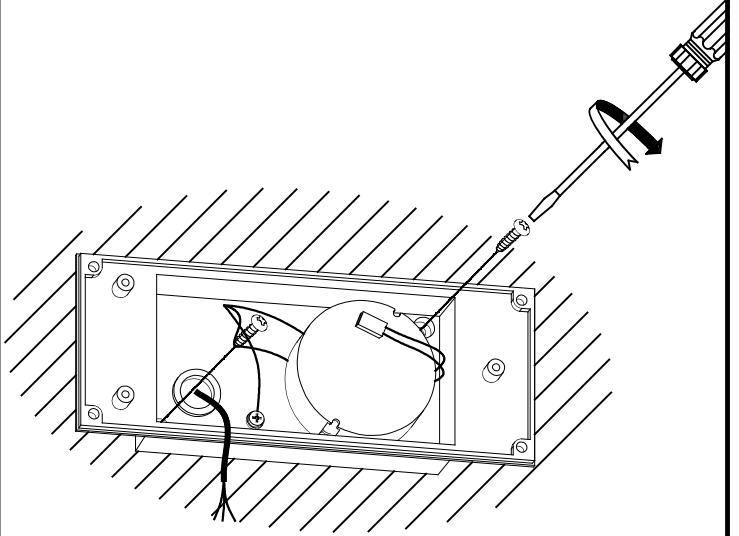
**ELECTRICAL CONNECTIONS:** (See fig. 3,4 y 5)  
 1.- Connect the white wire from the fixture to the white wire of the electric installation.  
 2.- Connect the grounding conductor from the fixture to the grounding wire of the electric installation.  
 3.- Connect the black wire from the fixture to the black wire of the electric installation.

**RACCORDEMENTS ÉLECTRIQUES (dessins 3,4 et 5)**  
 1. Connecter le câble blanc de l'appareil au câble blanc de l'installation électrique.  
 2. Connecter le câble conducteur de prise de terre au câble de prise de terre de l'installation électrique.  
 3. Connecter le câble noir de l'appareil au câble noir de l'installation électrique.

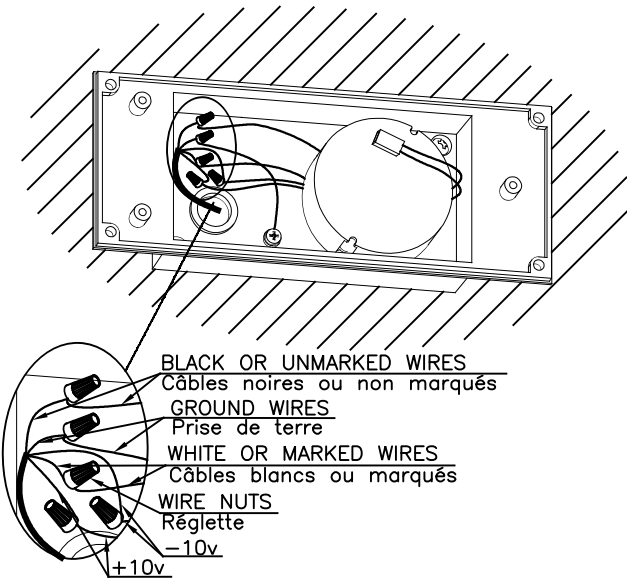
⑦



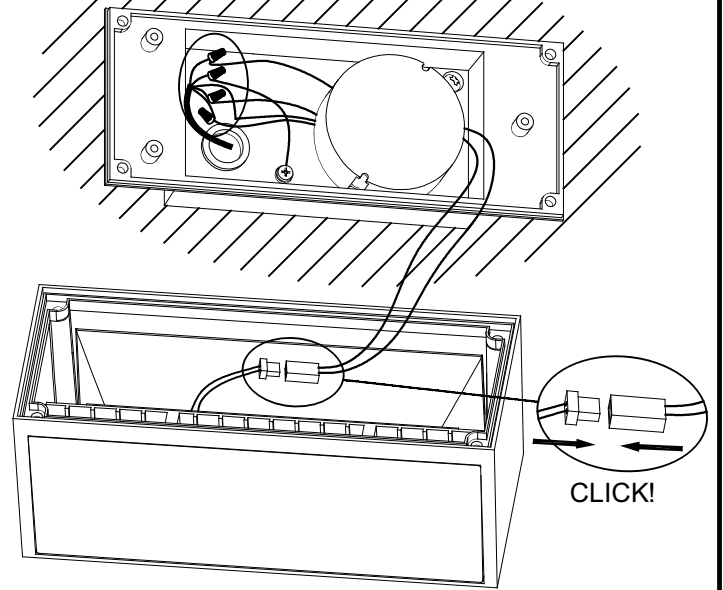
⑧



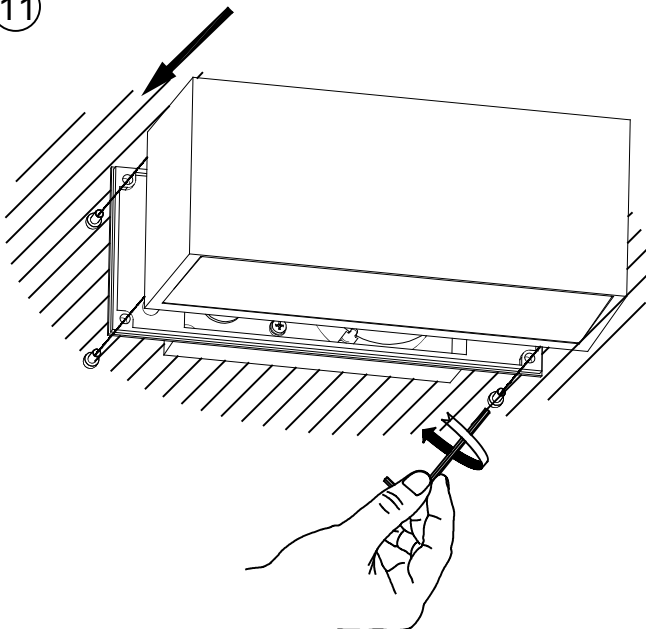
⑨ Option



⑩



⑪



⑫

