

TOILET SLIM Wall fixture

Designer: Manel Lluscà & Carlos Santolaria



**Description**

Bathroom light for indoor use.

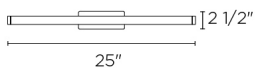
For frontal lighting. Structure material: Aluminium. Structure finish: Chrome. Blades finishes: NA. Diffuser material: Polycarbonate. Diffuser finish: Opal. Warranty: 5 Years.

**Finish**

Chrome  
Opal  
NA

**Material**

Aluminium  
Polycarbonate



**TECHNICAL CHARACTERISTICS**

**Light source**

Light source: LED SAMSUNG  
Output (W): 21.9W  
Total power consumption (W): 24.1 W  
Color temperature: LED warm-white 3000K  
CRI: 90  
Photobiological risk: RG1  
Real Lumen: 1777  
Qty Leds: 88  
Lm/Real W: 74  
Life Time: 50.000h L80B20  
Bin / Grup: VA o VB  
MacAdam steps: 3  
UGR: 18.2

**GEAR**

Brand: HATCH  
Gear included: Yes, electronic  
Power Factor: 0.98  
Flickering: 30%

**Luminaire**

Recessed: No  
Warranty: 5 Years

**Logistics**

Energy Efficiency: NA  
EAN Code: 8435526854370  
Net Weight (Lb): 1.74  
Weight in Kg (packaged): 1.375  
Packing: 120 x 120 x 710  
Masterbox: 1

The photograph may not match the reference exactly. Please read the product description to identify the finish.

# LEDS C4<sup>®</sup>

## Luminaire

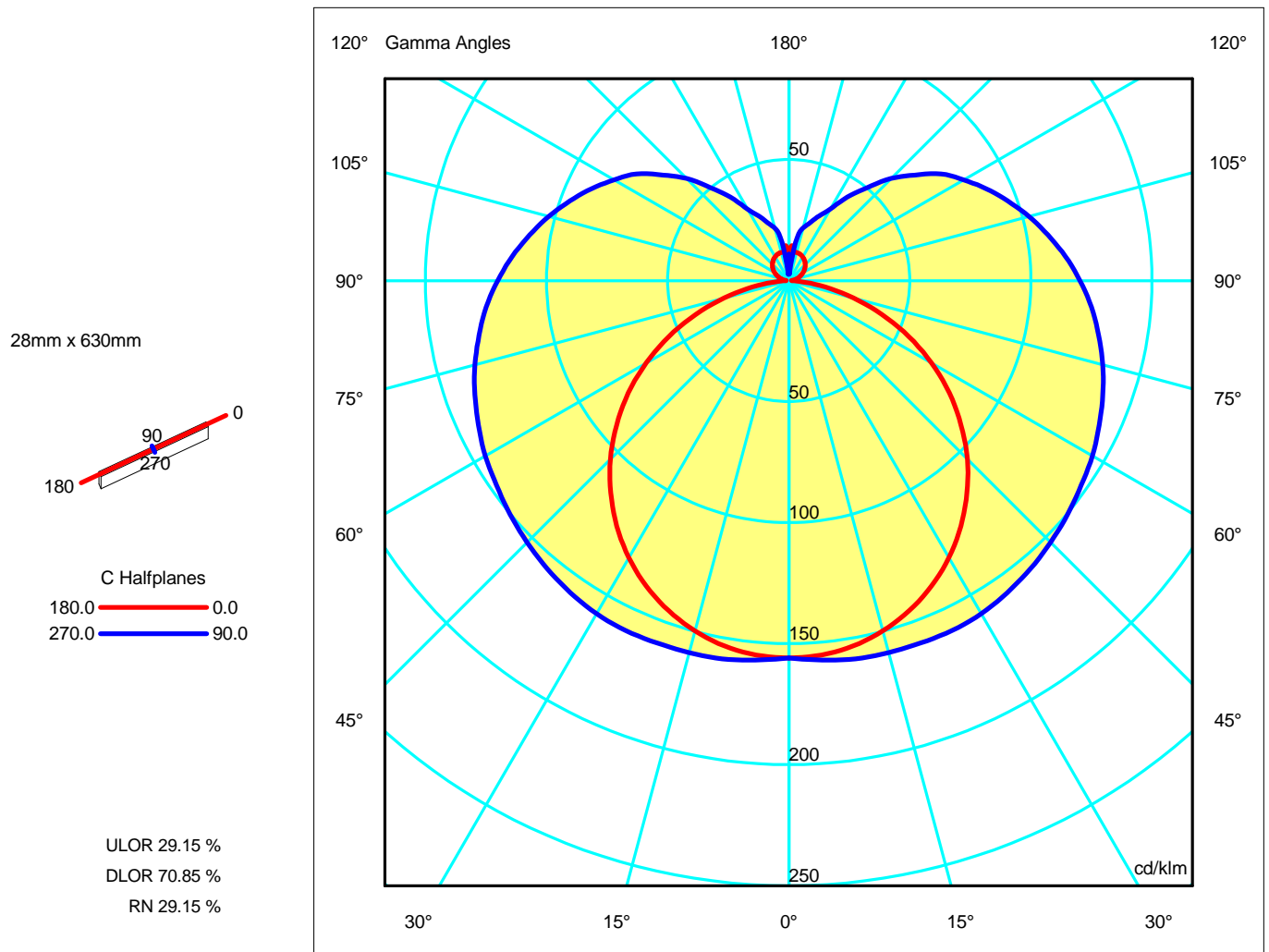
Code 05-6538-21-M1U  
Name APLIQUE TOILET SLIM

## Measur.

Code 05-6396-21-M1  
Name APLIQUE TOILET SLIM

Luminaire Flux	1776.70 lm	Luminaire Power	24.49 W	Efficacy	72.55 lm/W	Efficiency	100.00%
Lamps Flux	1776.70 lm	Maximum value	159.49 cd/klm	Position	C=90.00 G=25.00	CG	Double Symmetrical
Rectangular Luminaire		Length	28 mm	Width	630 mm	Height	80 mm
Rectangular Luminous Area		Length	28 mm	Width	610 mm	Height	24 mm
Horizontal Luminous Area	0.017080 m2	Emitting area on Plane 180°					0.000672 m2
Emitting area on Plane 0°	0.000672 m2	Emitting area on Plane 270°					0.014640 m2
Emitting area on Plane 90°	0.014640 m2	Glare area at 76°					0.004784 m2
Coordinate system	CG	Symmetry Type					Double Symmetrical
Date	09-05-2018	Maximum Gamma Angle					180
Measurement Distance	0.00	Measurement Flux					1776.70 lm
Operator	LEDS	Source Voltage [V]					
Temperature	25.00 °C	Source current [A]					
Humidity	60.00 %	Photocell					
Notes							

Line	Code	Luminaire Lamps	Flux [lm]	Pow. [W]	Q.ty
	05-6538-21-M1U	Name 05-6538-21-M1U	1776.70	24.49	1
C.I.E.	33 60 82 71 100	D DIN 5040	B21		
F UTE	0.71 H + 0.29 T	B NBN	BZ 6		



**Luminaire**

Code 05-6538-21-M1U  
Name APLIQUE TOILET SLIM

**Measur.**

Code 05-6396-21-M1  
Name APLIQUE TOILET SLIM

Luminaire Flux	1776.70 lm	Luminaire Power	24.49 W	Efficacy	72.55 lm/W	Efficiency	100.00%
Lamps Flux	1776.70 lm	Maximum value	159.49 cd/klm	Position	C=90.00 G=25.00	CG	Double Symmetrical

**Luminous Intensity Table cd/klm Table 1/1**

	C 0.00	C 15.00	C 30.00	C 45.00	C 60.00	C 75.00	C 90.00
G 0.0	155.93	155.93	155.93	155.93	155.93	155.93	155.93
G 5.0	155.21	155.57	156.12	156.91	156.99	157.78	157.35
G 10.0	153.23	154.29	155.62	157.17	157.73	158.95	158.64
G 15.0	149.80	151.59	153.86	156.13	157.42	159.09	159.06
G 20.0	145.11	147.72	150.78	154.03	156.49	158.96	159.26
G 25.0	139.22	142.78	146.66	151.26	155.23	158.78	159.49
G 30.0	132.12	136.25	141.40	147.94	153.65	157.95	158.86
G 35.0	123.83	128.65	135.47	144.25	150.93	156.00	157.29
G 40.0	114.40	120.15	128.88	139.32	147.39	153.65	155.27
G 45.0	104.22	110.91	121.80	133.60	143.47	150.90	152.84
G 50.0	92.80	100.28	113.55	127.45	139.17	147.81	150.23
G 55.0	80.93	89.80	105.09	121.14	134.67	144.49	147.35
G 60.0	67.94	78.14	95.79	114.60	130.28	141.35	144.71
G 65.0	54.70	66.97	87.32	108.59	126.10	137.97	141.37
G 70.0	40.90	54.84	78.34	102.50	121.37	134.11	137.95
G 75.0	27.60	43.85	71.10	97.01	116.93	129.98	134.15
G 80.0	15.31	33.78	63.96	91.24	111.95	125.59	129.86
G 85.0	5.62	26.94	58.45	86.26	107.25	121.00	125.44
G 90.0	1.21	21.99	53.17	80.94	102.02	115.88	120.19
G 95.0	1.55	19.36	48.87	76.03	96.70	110.25	114.62
G100.0	2.50	18.09	45.13	71.04	91.16	104.36	108.61
G105.0	3.59	16.36	42.41	66.67	85.81	98.41	102.59
G110.0	4.69	14.39	39.43	62.31	80.31	92.37	96.15
G115.0	5.79	12.87	35.81	58.56	75.23	86.42	89.90
G120.0	6.89	13.26	31.79	52.97	69.29	79.95	83.30
G125.0	7.88	13.59	28.28	47.47	63.01	73.28	76.81
G130.0	8.76	14.05	24.88	41.22	55.31	64.80	67.82
G135.0	9.61	14.52	22.98	35.77	48.15	56.54	59.67
G140.0	10.27	15.15	21.88	30.13	40.46	47.61	50.09
G145.0	10.90	16.09	20.99	27.42	34.16	39.57	42.11
G150.0	11.34	16.92	20.15	24.99	29.38	32.42	34.10
G155.0	11.74	15.78	19.06	22.74	26.25	28.48	29.48
G160.0	11.98	13.38	15.53	19.34	22.92	24.69	25.42
G165.0	12.06	12.03	12.25	15.54	18.31	19.69	22.50
G170.0	11.98	11.88	11.70	11.38	12.88	16.45	15.89
G175.0	14.50	13.49	13.89	11.72	10.07	9.26	2.78
G180.0	10.99	10.99	10.99	10.99	10.99	10.99	10.99

# LEDS C4<sup>®</sup>

**Luminaire**

Code 05-6538-21-M1U  
Name APLIQUE TOILET SLIM

**Measur.**

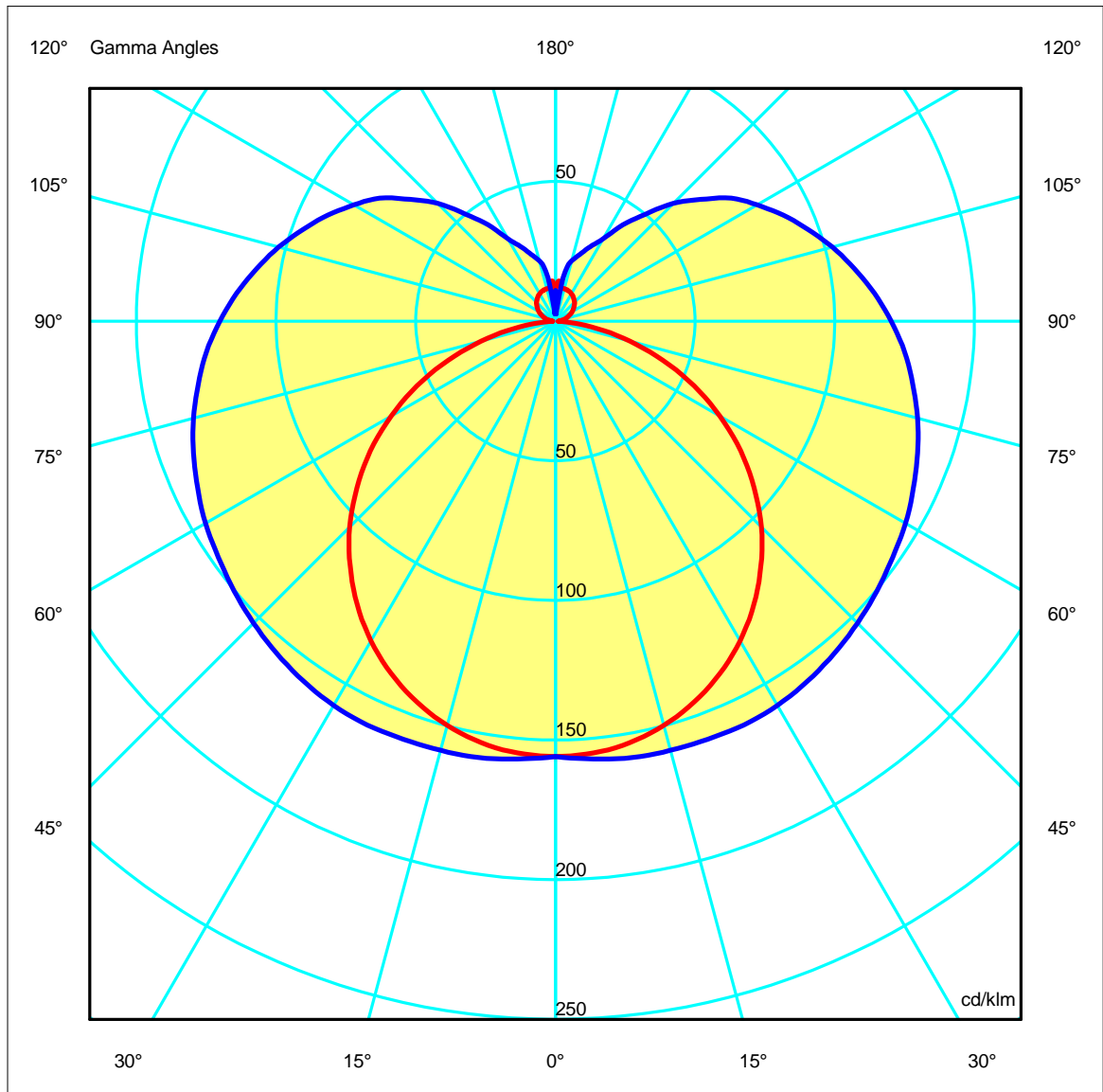
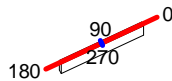
Code 05-6396-21-M1  
Name APLIQUE TOILET SLIM

Luminaire Flux	1776.70 lm	Luminaire Power	24.49 W	Efficacy	72.55 lm/W	Efficiency	100.00%
Lamps Flux	1776.70 lm	Maximum value	159.49 cd/klm	Position	C=90.00 G=25.00	CG	Double Symmetrical

28mm x 630mm

C Halfplanes

180.0 ——— 0.0  
270.0 ——— 90.0



---

**Luminaire**

Code 05-6538-21-M1U  
Name APLIQUE TOILET SLIM

**Measurem.**

Code 05-6396-21-M1  
Name APLIQUE TOILET SLIM

---

Luminaire Flux	1776.70 lm	Luminaire Power	24.49 W	Efficacy	72.55 lm/W	Efficiency	100.00%
Lamps Flux	1776.70 lm	Maximum value	159.49 cd/klm	Position	C=90.00 G=25.00	CG	Double Symmetrical

---

Could not find 90270 right beam angle•gamma0180=0

Could not find 90270 right beam angle•gamma0180=0

Could not find 90270 right beam angle•gamma0180=0

**Luminaire**

Code 05-6538-21-M1U  
Name APLIQUE TOILET SLIM

**Measurement**

Code 05-6396-21-M1  
Name APLIQUE TOILET SLIM

Luminaire Flux	1776.70 lm	Luminaire Power	24.49 W	Efficacy	72.55 lm/W	Efficiency	100.00%
Lamps Flux	1776.70 lm	Maximum value	159.49 cd/klm	Position	C=90.00 G=25.00	CG	Double Symmetrical

**UGR**  
S = 0.250

Reflectancies										
Ceiling/Cavity	0.7	0.7	0.5	0.5	0.3	0.7	0.7	0.5	0.5	0.3
Walls	0.5	0.3	0.5	0.3	0.3	0.5	0.3	0.5	0.3	0.3
WorkingPlane	0.2	0.2	0.2	0.2	0.2	0.2	0.2	0.2	0.2	0.2
RoomDimensions	Viewed Crosswise					Viewed Endwise				
x=2H y=2H	18.2	19.3	18.9	20.0	20.8	19.8	20.9	20.4	21.6	22.4
x=2H y=3H	19.7	20.7	20.4	21.4	22.3	22.3	23.3	23.0	24.0	24.9
x=2H y=4H	20.3	21.2	21.0	22.0	22.8	23.6	24.6	24.3	25.3	26.2
x=2H y=6H	20.6	21.5	21.4	22.3	23.2	24.9	25.8	25.6	26.6	27.4
x=2H y=8H	20.8	21.6	21.5	22.4	23.3	25.6	26.4	26.3	27.2	28.1
x=2H y=12H	20.8	21.6	21.6	22.4	23.3	26.2	27.0	26.9	27.8	28.7
x=4H y=2H	19.3	20.3	20.0	21.0	21.9	20.4	21.4	21.2	22.1	23.0
x=4H y=3H	21.1	21.9	21.8	22.7	23.6	23.2	24.0	24.0	24.8	25.7
x=4H y=4H	21.8	22.6	22.6	23.4	24.3	24.7	25.4	25.4	26.2	27.1
x=4H y=6H	22.4	23.0	23.2	23.8	24.8	26.2	26.8	27.0	27.6	28.6
x=4H y=8H	22.6	23.2	23.4	24.0	25.0	26.9	27.5	27.7	28.3	29.3
x=4H y=12H	22.7	23.2	23.5	24.0	25.1	27.6	28.2	28.5	29.0	30.0
x=8H y=4H	22.8	23.4	23.6	24.3	25.2	25.1	25.7	25.9	26.5	27.5
x=8H y=6H	23.7	24.2	24.5	25.1	26.1	26.8	27.3	27.6	28.2	29.2
x=8H y=8H	24.1	24.5	24.9	25.4	26.4	27.7	28.2	28.6	29.0	30.1
x=8H y=12H	24.3	24.7	25.2	25.6	26.6	28.7	29.1	29.5	29.9	31.0
x=12H y=4H	23.1	23.6	23.9	24.5	25.5	25.1	25.7	25.9	26.5	27.5
x=12H y=6H	24.1	24.6	25.0	25.5	26.5	26.9	27.4	27.8	28.2	29.3
x=12H y=8H	24.6	25.1	25.5	25.9	27.0	27.9	28.3	28.8	29.2	30.2

# LEDS C4<sup>®</sup>

## Luminaire

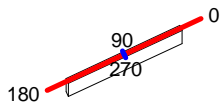
Code 05-6538-21-M1U  
Name APLIQUE TOILET SLIM

## Measur.

Code 05-6396-21-M1  
Name APLIQUE TOILET SLIM

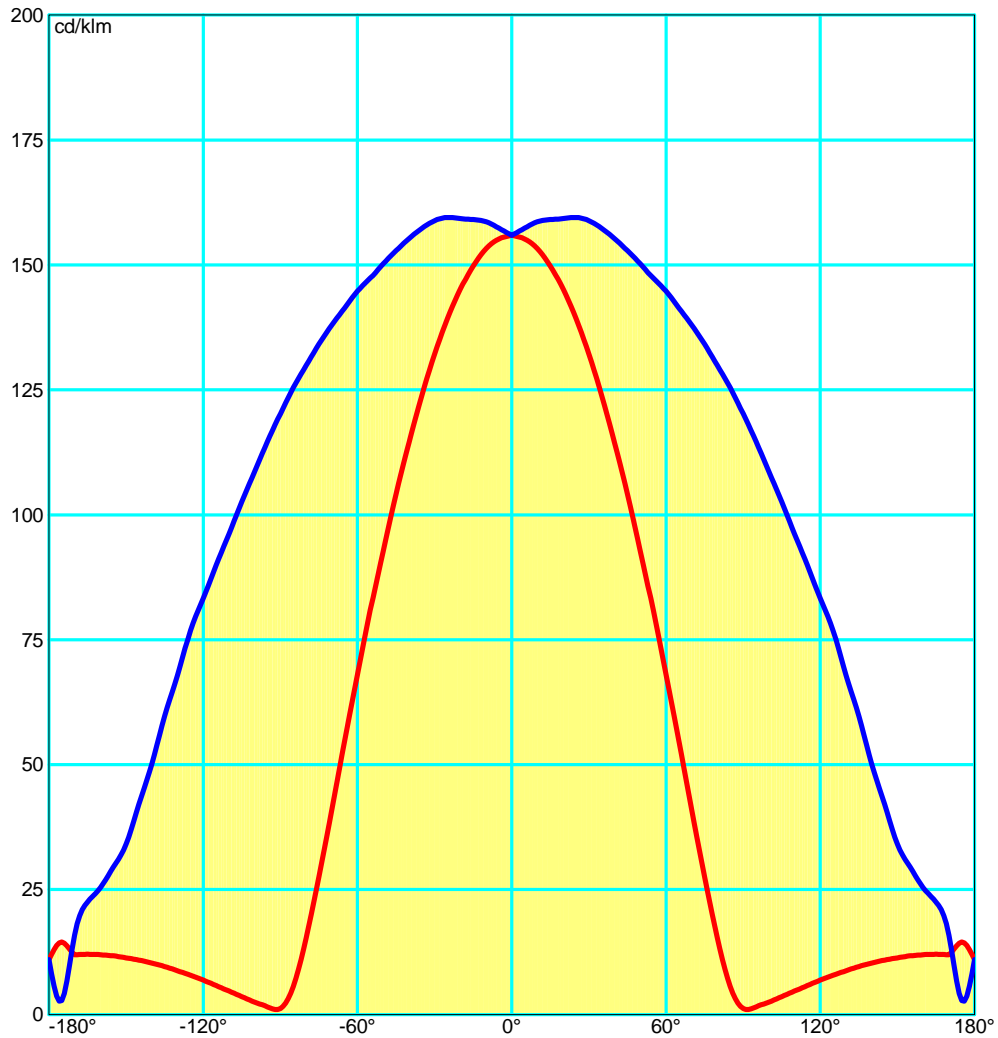
Luminaire Flux	1776.70 lm	Luminaire Power	24.49 W	Efficacy	72.55 lm/W	Efficiency	100.00%
Lamps Flux	1776.70 lm	Maximum value	159.49 cd/klm	Position	C=90.00 G=25.00	CG	Double Symmetrical

28mm x 630mm



C Halfplanes

180.0 ——— 0.0  
270.0 ——— 90.0



# LEDS C4<sup>®</sup>

**Luminaire**  
 Code 05-6538-21-M1U  
 Name APLIQUE TOILET SLIM  
**Measur.**  
 Code 05-6396-21-M1  
 Name APLIQUE TOILET SLIM

Luminaire Flux	1776.70 lm	Luminaire Power	24.49 W	Efficacy	72.55 lm/W	Efficiency	100.00%
Lamps Flux	1776.70 lm	Maximum value	159.49 cd/klm	Position	C=90.00 G=25.00	CG	Double Symmetrical

Luminance





**Luminaire**

Code 05-6538-21-M1U  
Name APLIQUE TOILET SLIM

**Measurerm.**

Code 05-6396-21-M1  
Name APLIQUE TOILET SLIM

Luminaire Flux	1776.70 lm	Luminaire Power	24.49 W	Efficacy	72.55 lm/W	Efficiency	100.00%
Lamps Flux	1776.70 lm	Maximum value	159.49 cd/klm	Position	C=90.00 G=25.00	CG	Double Symmetrical

**Luminance cd/m2 Table 1/3**

	C 0.00	C 10.00	C 20.00	C 30.00	C 40.00	C 50.00	C 60.00	C 70.00	C 80.00	C 90.00	C 100.00	C 110.00	C 120.00
G 0.0	16219.92	16219.92	16219.92	16219.92	16219.92	16219.92	16219.92	16219.92	16219.92	16219.92	16219.92	16219.92	16219.92
G 5.0	16150.98	15969.47	15803.07	15668.13	15572.53	15464.90	15368.27	15352.68	15334.28	15283.91	15334.28	15352.68	15368.27
G 10.0	16073.50	15737.87	15439.36	15197.68	15018.42	14839.85	14687.07	14639.29	14605.66	14556.75	14605.66	14639.29	14687.07
G 15.0	15964.22	15478.32	15067.59	14742.31	14487.93	14258.44	14078.62	14008.88	13966.70	13930.54	13966.70	14008.88	14078.62
G 20.0	15836.89	15213.31	14692.48	14285.16	13981.80	13736.55	13562.07	13498.94	13443.71	13437.93	13443.71	13498.94	13562.07
G 25.0	15691.65	14943.39	14322.36	13846.31	13523.38	13292.01	13145.60	13109.17	13066.44	13078.22	13066.44	13109.17	13145.60
G 30.0	15516.47	14610.93	13901.73	13403.76	13109.16	12925.31	12816.88	12791.32	12770.74	12764.36	12770.74	12791.32	12816.88
G 35.0	15302.76	14244.62	13472.78	12993.54	12762.88	12610.62	12498.03	12482.40	12475.48	12482.08	12475.48	12482.40	12498.03
G 40.0	15038.01	13844.47	13046.89	12606.63	12411.22	12287.72	12208.76	12233.18	12249.67	12264.22	12249.67	12233.18	12208.76
G 45.0	14751.82	13415.81	12623.26	12250.47	12078.13	11992.54	11978.66	12048.28	12084.18	12107.23	12084.18	12048.28	11978.66
G 50.0	14345.60	12861.89	12100.40	11844.90	11761.40	11749.67	11803.71	11921.71	11984.67	12026.17	11984.67	11921.71	11803.71
G 55.0	13896.12	12335.32	11624.77	11476.40	11497.31	11573.03	11696.12	11865.08	11956.47	12015.41	11956.47	11865.08	11696.12
G 60.0	13233.66	11627.21	11030.19	11063.33	11257.11	11467.51	11683.79	11913.03	12036.68	12117.15	12036.68	11913.03	11683.79
G 65.0	12416.60	10904.71	10524.23	10789.02	11155.38	11487.25	11783.20	12051.55	12182.67	12260.29	12182.67	12051.55	11783.20
G 70.0	11226.50	9893.38	9860.11	10491.54	11116.42	11581.29	11932.78	12244.91	12405.26	12505.83	12405.26	12244.91	11932.78
G 75.0	9672.11	8826.43	9376.88	10480.14	11289.04	11828.11	12226.38	12548.63	12714.28	12840.35	12714.28	12548.63	12226.38
G 80.0	7497.30	7669.86	8972.02	10573.81	11564.07	12163.90	12602.75	12960.13	13140.10	13272.96	13140.10	12960.13	12602.75
G 85.0	4629.49	7122.92	9195.57	11093.65	12151.84	12753.61	13183.81	13534.30	13713.25	13866.28	13713.25	13534.30	13183.81
G 90.0	3208.58	7752.22	9983.97	11954.14	12973.48	13525.83	13927.47	14271.05	14437.80	14586.13	14437.80	14271.05	13927.47

**Luminaire**

Code 05-6538-21-M1U  
Name APLIQUE TOILET SLIM

**Measurerm.**

Code 05-6396-21-M1  
Name APLIQUE TOILET SLIM

Luminaire Flux	1776.70 lm	Luminaire Power	24.49 W	Efficacy	72.55 lm/W	Efficiency	100.00%
Lamps Flux	1776.70 lm	Maximum value	159.49 cd/klm	Position	C=90.00 G=25.00	CG	Double Symmetrical

**Luminance cd/m2 Table 2/3**

	C 130.00	C 140.00	C 150.00	C 160.00	C 170.00	C 180.00	C 190.00	C 200.00	C 210.00	C 220.00	C 230.00	C 240.00	C 250.00
G 0.0	16219.92	16219.92	16219.92	16219.92	16219.92	16219.92	16219.92	16219.92	16219.92	16219.92	16219.92	16219.92	16219.92
G 5.0	15464.90	15572.53	15668.13	15803.07	15969.47	16150.98	15969.47	15803.07	15668.13	15572.53	15464.90	15368.27	15352.68
G 10.0	14839.85	15018.42	15197.68	15439.36	15737.87	16073.50	15737.87	15439.36	15197.68	15018.42	14839.85	14687.07	14639.29
G 15.0	14258.44	14487.93	14742.31	15067.59	15478.32	15964.22	15478.32	15067.59	14742.31	14487.93	14258.44	14078.62	14008.88
G 20.0	13736.55	13981.80	14285.16	14692.48	15213.31	15836.89	15213.31	14692.48	14285.16	13981.80	13736.55	13562.07	13498.94
G 25.0	13292.01	13523.38	13846.31	14322.36	14943.39	15691.65	14943.39	14322.36	13846.31	13523.38	13292.01	13145.60	13109.17
G 30.0	12925.31	13109.16	13403.76	13901.73	14610.93	15516.47	14610.93	13901.73	13403.76	13109.16	12925.31	12816.88	12791.32
G 35.0	12610.62	12762.88	12993.54	13472.78	14244.62	15302.76	14244.62	13472.78	12993.54	12762.88	12610.62	12498.03	12482.40
G 40.0	12287.72	12411.22	12606.63	13046.89	13844.47	15038.01	13844.47	13046.89	12606.63	12411.22	12287.72	12208.76	12233.18
G 45.0	11992.54	12078.13	12250.47	12623.26	13415.81	14751.82	13415.81	12623.26	12250.47	12078.13	11992.54	11978.66	12048.28
G 50.0	11749.67	11761.40	11844.90	12100.40	12861.89	14345.60	12861.89	12100.40	11844.90	11761.40	11749.67	11803.71	11921.71
G 55.0	11573.03	11497.31	11476.40	11624.77	12335.32	13896.12	12335.32	11624.77	11476.40	11497.31	11573.03	11696.12	11865.08
G 60.0	11467.51	11257.11	11063.33	11030.19	11627.21	13233.66	11627.21	11030.19	11063.33	11257.11	11467.51	11683.79	11913.03
G 65.0	11487.25	11155.38	10789.02	10524.23	10904.71	12416.60	10904.71	10524.23	10789.02	11155.38	11487.25	11783.20	12051.55
G 70.0	11581.29	11116.42	10491.54	9860.11	9893.38	11226.50	9893.38	9860.11	10491.54	11116.42	11581.29	11932.78	12244.91
G 75.0	11828.11	11289.04	10480.14	9376.88	8826.43	9672.11	8826.43	9376.88	10480.14	11289.04	11828.11	12226.38	12548.63
G 80.0	12163.90	11564.07	10573.81	8972.02	7669.86	7497.30	7669.86	8972.02	10573.81	11564.07	12163.90	12602.75	12960.13
G 85.0	12753.61	12151.84	11093.65	9195.57	7122.92	4629.49	7122.92	9195.57	11093.65	12151.84	12753.61	13183.81	13534.30
G 90.0	13525.83	12973.48	11954.14	9983.97	7752.22	3208.58	7752.22	9983.97	11954.14	12973.48	13525.83	13927.47	14271.05

**Luminaire**

Code 05-6538-21-M1U  
Name APLIQUE TOILET SLIM

**Measur.**

Code 05-6396-21-M1  
Name APLIQUE TOILET SLIM

Luminaire Flux	1776.70 lm	Luminaire Power	24.49 W	Efficacy	72.55 lm/W	Efficiency	100.00%
Lamps Flux	1776.70 lm	Maximum value	159.49 cd/klm	Position	C=90.00 G=25.00	CG	Double Symmetrical

**Luminance cd/m2 Table 3/3**

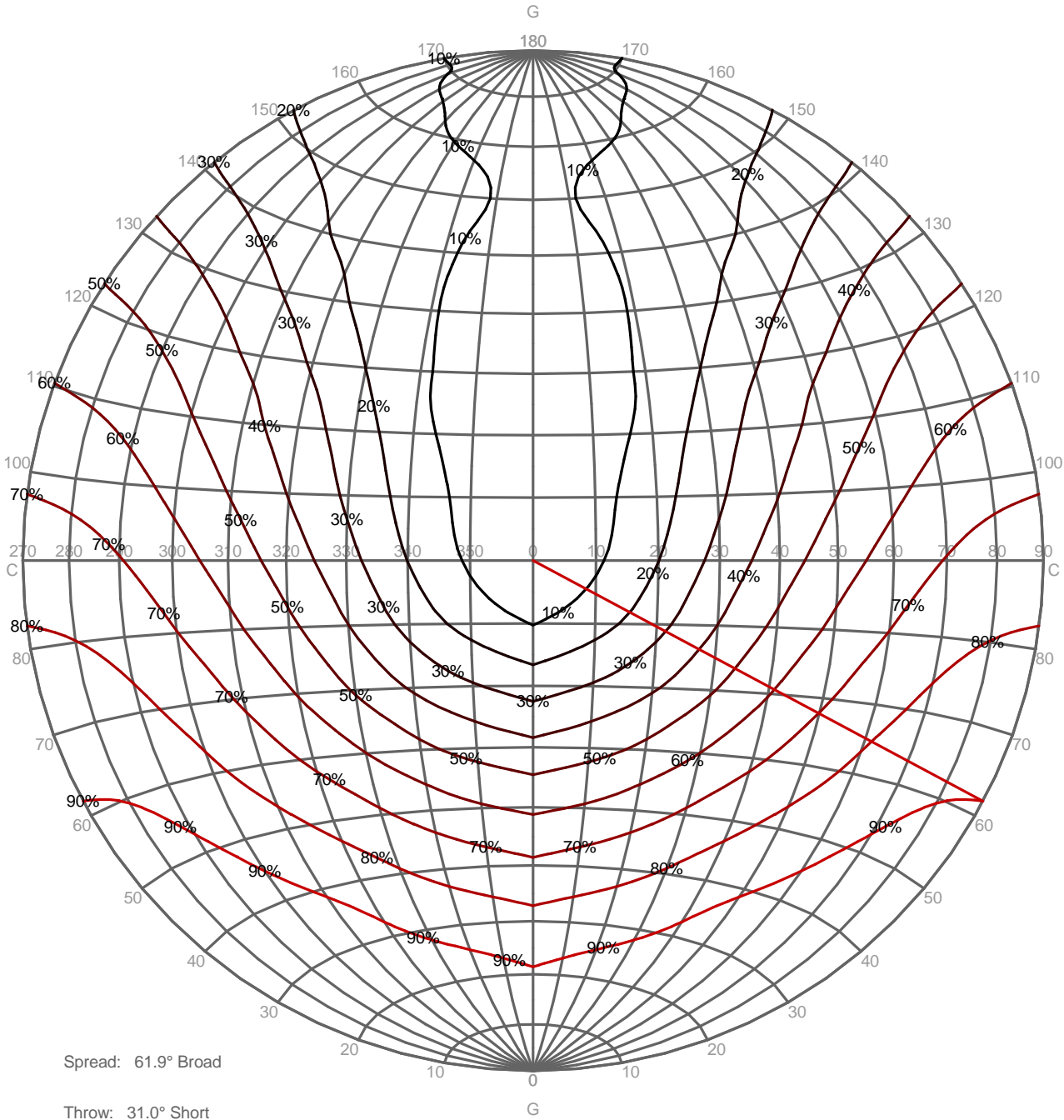
	C 260.00	C 270.00	C 280.00	C 290.00	C 300.00	C 310.00	C 320.00	C 330.00	C 340.00	C 350.00
G 0.0	16219.92	16219.92	16219.92	16219.92	16219.92	16219.92	16219.92	16219.92	16219.92	16219.92
G 5.0	15334.28	15283.91	15334.28	15352.68	15368.27	15464.90	15572.53	15668.13	15803.07	15969.47
G 10.0	14605.66	14556.75	14605.66	14639.29	14687.07	14839.85	15018.42	15197.68	15439.36	15737.87
G 15.0	13966.70	13930.54	13966.70	14008.88	14078.62	14258.44	14487.93	14742.31	15067.59	15478.32
G 20.0	13443.71	13437.93	13443.71	13498.94	13562.07	13736.55	13981.80	14285.16	14692.48	15213.31
G 25.0	13066.44	13078.22	13066.44	13109.17	13145.60	13292.01	13523.38	13846.31	14322.36	14943.39
G 30.0	12770.74	12764.36	12770.74	12791.32	12816.88	12925.31	13109.16	13403.76	13901.73	14610.93
G 35.0	12475.48	12482.08	12475.48	12482.40	12498.03	12610.62	12762.88	12993.54	13472.78	14244.62
G 40.0	12249.67	12264.22	12249.67	12233.18	12208.76	12287.72	12411.22	12606.63	13046.89	13844.47
G 45.0	12084.18	12107.23	12084.18	12048.28	11978.66	11992.54	12078.13	12250.47	12623.26	13415.81
G 50.0	11984.67	12026.17	11984.67	11921.71	11803.71	11749.67	11761.40	11844.90	12100.40	12861.89
G 55.0	11956.47	12015.41	11956.47	11865.08	11696.12	11573.03	11497.31	11476.40	11624.77	12335.32
G 60.0	12036.68	12117.15	12036.68	11913.03	11683.79	11467.51	11257.11	11063.33	11030.19	11627.21
G 65.0	12182.67	12260.29	12182.67	12051.55	11783.20	11487.25	11155.38	10789.02	10524.23	10904.71
G 70.0	12405.26	12505.83	12405.26	12244.91	11932.78	11581.29	11116.42	10491.54	9860.11	9893.38
G 75.0	12714.28	12840.35	12714.28	12548.63	12226.38	11828.11	11289.04	10480.14	9376.88	8826.43
G 80.0	13140.10	13272.96	13140.10	12960.13	12602.75	12163.90	11564.07	10573.81	8972.02	7669.86
G 85.0	13713.25	13866.28	13713.25	13534.30	13183.81	12753.61	12151.84	11093.65	9195.57	7122.92
G 90.0	14437.80	14586.13	14437.80	14271.05	13927.47	13525.83	12973.48	11954.14	9983.97	7752.22

**Luminaire**  
 Code 05-6538-21-M1U  
 Name APLIQUE TOILET SLIM  
**Measur.**  
 Code 05-6396-21-M1  
 Name APLIQUE TOILET SLIM

Luminaire Flux	1776.70 lm	Luminaire Power	24.49 W	Efficacy	72.55 lm/W	Efficiency	100.00%
Lamps Flux	1776.70 lm	Maximum value	159.49 cd/klm	Position	C=90.00 G=25.00	CG	Double Symmetrical

**PERCENTAGE ISOCANDLES**

Projection: Equal Area SLI 7.2 Tight Tilting Angle:0°

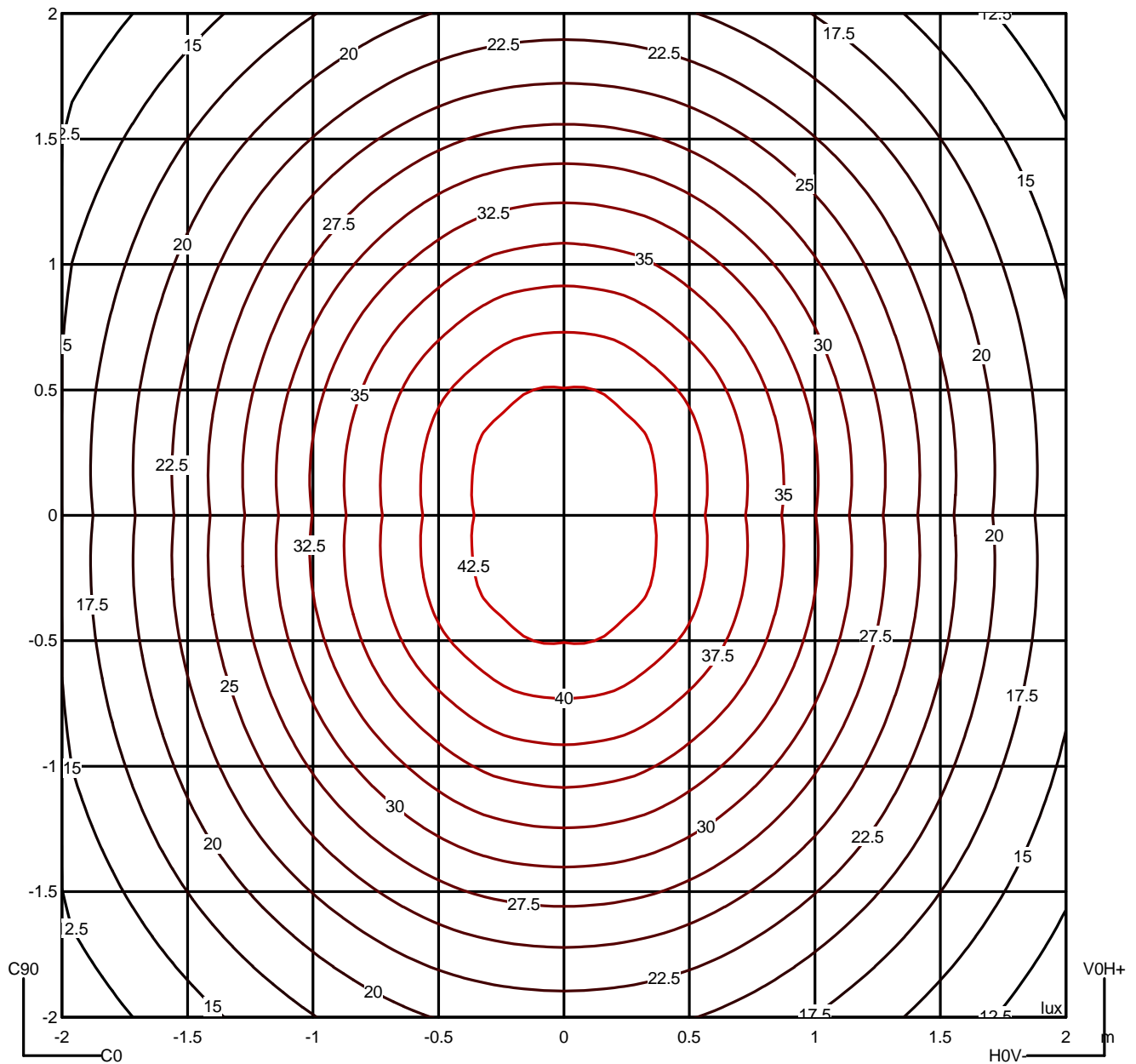


**Luminaire**  
 Code 05-6538-21-M1U  
 Name APLIQUE TOILET SLIM  
**Measur.**  
 Code 05-6396-21-M1  
 Name APLIQUE TOILET SLIM

Luminaire Flux	1776.70 lm	Luminaire Power	24.49 W	Efficacy	72.55 lm/W	Efficiency	100.00%
Lamps Flux	1776.70 lm	Maximum value	159.49 cd/klm	Position	C=90.00 G=25.00	CG	Double Symmetrical

Isolux (Floor)

Luminaire position X=0.00m Y=0.00m Z=2.50m



# LEDS C4<sup>®</sup>

**Luminaire**

Code 05-6538-21-M1U  
Name APLIQUE TOILET SLIM

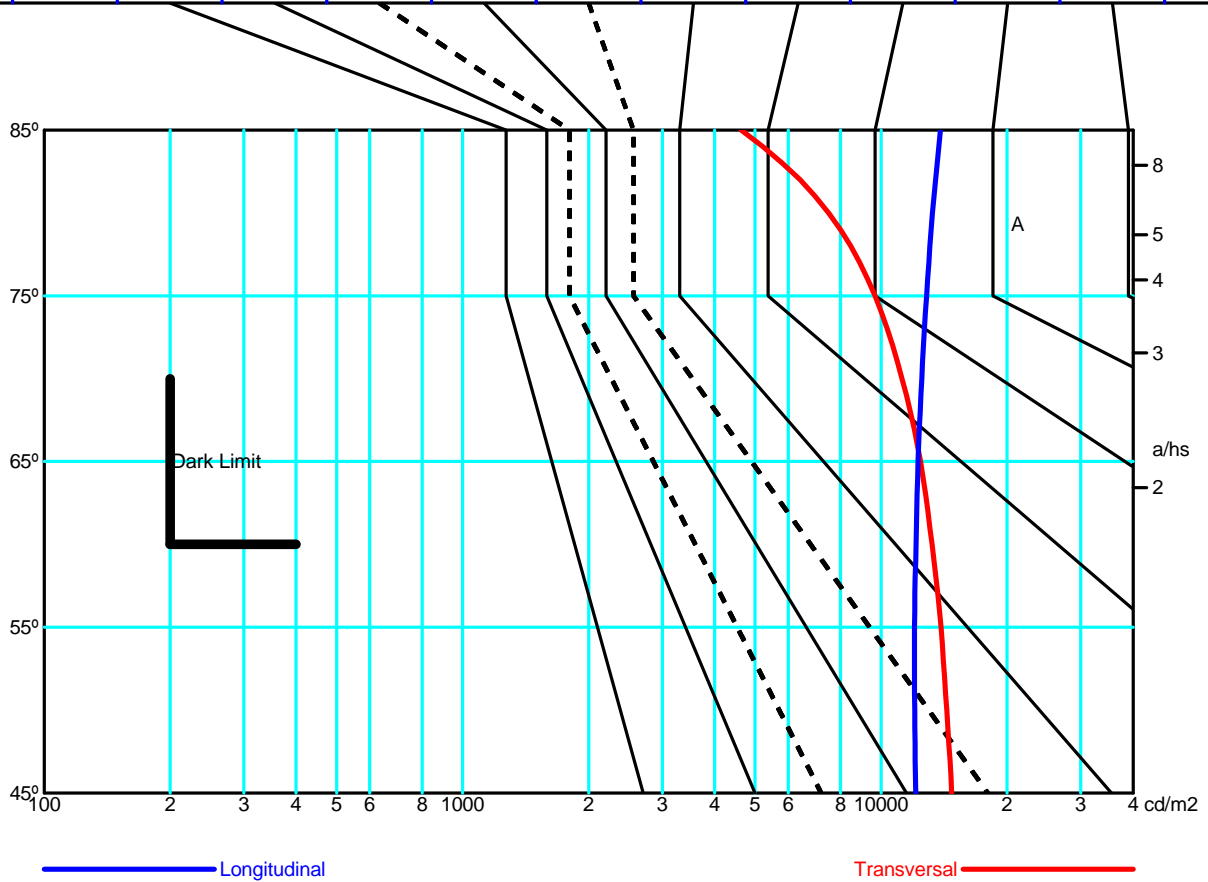
**Measur.**

Code 05-6396-21-M1  
Name APLIQUE TOILET SLIM

Luminaire Flux	1776.70 lm	Luminaire Power	24.49 W	Efficacy	72.55 lm/W	Efficiency	100.00%
Lamps Flux	1776.70 lm	Maximum value	159.49 cd/klm	Position	C=90.00 G=25.00	CG	Double Symmetrical

		Average Luminance [cd/m <sup>2</sup> ]									
		45°	50°	55°	60°	65°	70°	75°	80°	85°	
0.0°		14752	14346	13896	13234	12417	11227	9672	7497	4629	---
90.0°		12107	12026	12015	12117	12260	12506	12840	13273	13866	---

Flush mounted or longitudinal view												
		Illumination(Ix)										
A	A	2000	1000	750	500		<300				1.15	
B	1		2000	1500	1000	750	500	<300			1.5	
C					2000		1000	500	<300		1.85	
D	2						2000	1000	500	<300	2.2	
E	3							2000	1000	500	<300	2.55



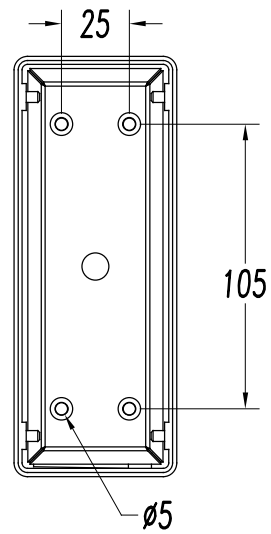
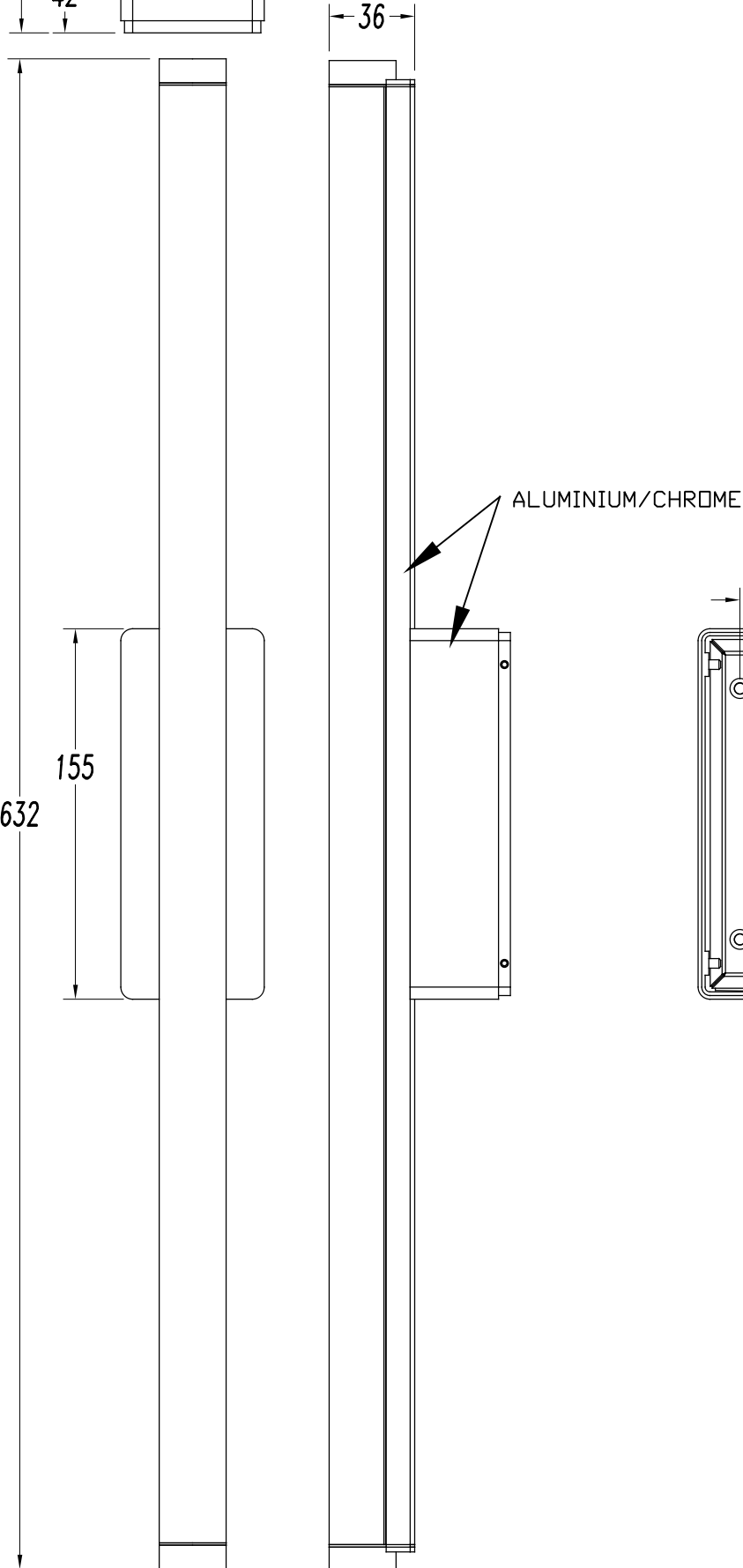
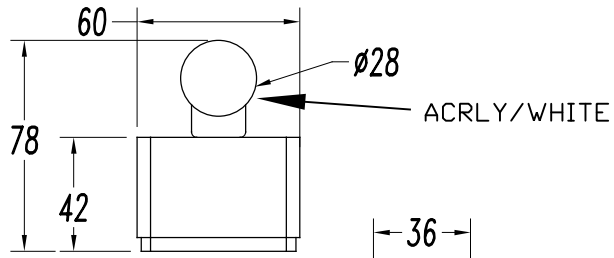
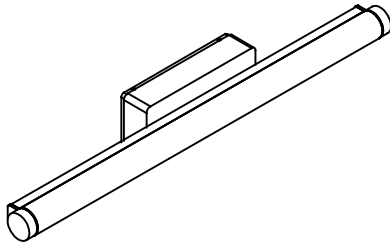


FIGURE N° 1. UNPACK THE FIXTURE: CHECK THE CONTENTS OF THE BOX. YOU SHOULD RECEIVE:

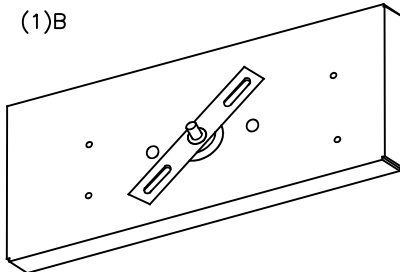
FIGURE N° 1. DÉBALLER LE PLAFONIER: VÉRIFIER LE CONTENU DU CARTON, VOUS DEVEZ RECEVOIR:

BOX 1

(1)A



(1)B



OUTLET BOX  
Boîte de distribution

WALL  
Mur

FIGURE 6

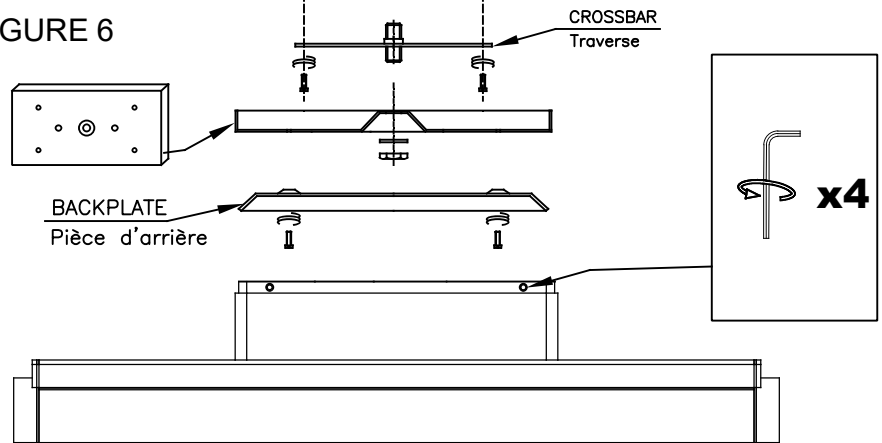
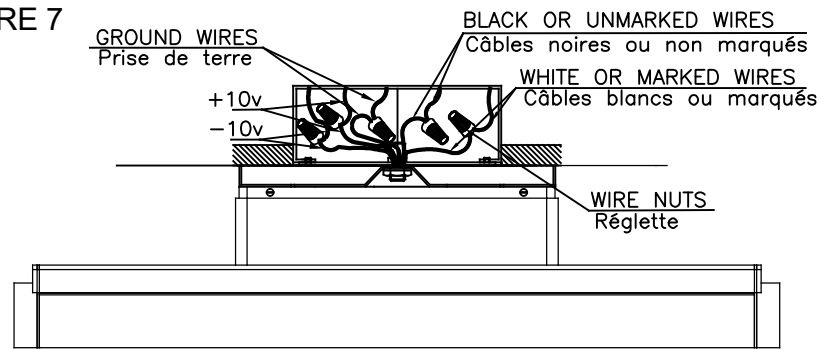


FIGURE 7

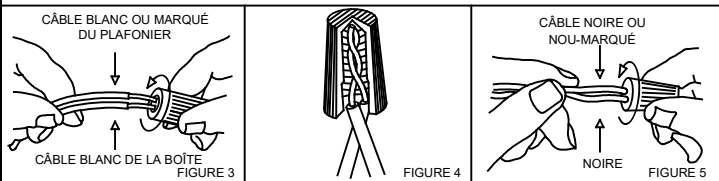
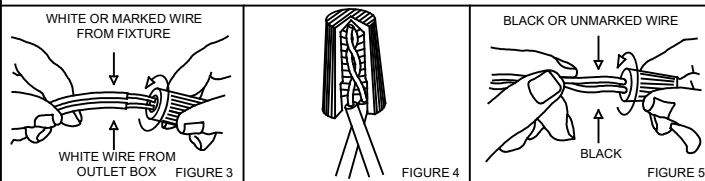


**INSTALLATION INSTRUCTIONS FOR HANGING FIXTURES**

**INSTRUCTIONS D'INSTALLATION POUR PLAFONNIERS**

FIGURE 3, 4 AND 5 MOUNTING HARDWARE.  
NOTE: TEST THE CONNECTOR BY GENTLY PULLING IT. IF IT PULLS OUT THE CONNECTION, TRY AGAIN TILL YOU HAVE A FIRM CONNECTION. MAKE SURE NO BARE STRANDS OF WIRE STICK OUT FROM UNDER THE CONNECTORS.

FIGURE 3, 4 ET 5 MONTAGE DE L'ÉQUIPE.  
IMPORTANT: ESSAYER DE TIRER LE CÂBLE D'ALIMENTATION DOUCEMENT. S'IL SORT DE LA CONNECTION, IL FAUDRAIT ASSURER QUE LA CONNECTION SOIT FERME. S'ASSURER QUE LES FILS DES CÂBLES NE SONT PAS À DÉCOUVERT DU CONNECTEUR.



**CAUTION:**  
"Warning", "This product is to be installed by a qualified electrician only."  
"Suitable for dry and damp locations only"

**ATTENTION:**  
"Attention", le raccordement électrique sera effectué par un technicien électrique qualifié"  
"convenient aux emplacements humides"

**CAUTION:**  
1.- Wrong lighting installation can be dangerous for your safety.  
2.- Before starting, disconnect the power by turning off the general switch of the electric installation.  
3.- Install light bulbs (not provided) that must not exceed markings on the fixture.  
4.- To change the bulbs, disconnect the power by turning off the general switch and wait for the bulbs cool down.  
**INSTALLATION:**  
1.- Make electrical connections, carefully read the Electrical Connection section.  
2.- Assemble lighting onto the outlet box as shown on fig. 6, & 7.  
**ELECTRICAL CONNECTIONS:** (See fig. 3,4 y 5)  
1.- Connect the white wire from the fixture to the white wire of the electric installation.  
2.- Connect the black wire from the fixture to the black wire of the electric installation.  
3.- Connect the grounding conductor from the fixture to the grounding wire of the electric installation.  
4.- Spread out the electrical wires so that the black ones are on one side of the outlet box and the white ones are on the other side, and carefully introduce them into the outlet box.

**ATTENTION:**  
1. Une mauvaise installation peut compromettre votre sécurité.  
2. Déconnecter la tension du réseau d'alimentation avant de réaliser toute opération.  
3. Installer les ampoules (non fournies), ne pas utiliser d'ampoules d'un autre type ou d'une puissance supérieure à celle indiquée sur l'étiquette de la lampe.  
4. Pour changer les ampoules, déconnecter la tension du réseau d'alimentation et laisser refroidir les ampoules.  
**INSTALLATION:**  
1. Connecter au réseau, lire attentivement la section de "Raccordements électriques"  
2. Installer l'appareil à la boîte de distribution comme indiqué dans les dessins 6 et 7.  
**RACCORDEMENTS ÉLECTRIQUES (dessins 3,4 et 5)**  
1. Connecter le câble blanc de l'appareil au câble blanc de l'installation électrique.  
2. Connecter le câble noir de l'appareil au câble noir de l'installation électrique.  
3. Connecter le câble conducteur de prise de terre au câble de prise de terre de l'installation électrique.  
4. Distribuer les câbles pour que tout le câblage noir soit par dehors et le câblage blanc soit par dedans. Ajuster et immobiliser à la boîte sans coincer aucun câble.