

05-5361-14-23V0

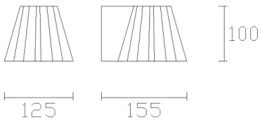
CUP Wall fixture



Description

Wall fixture CUP LED 7W 2700K White 308lm

	Finish	Material
Structure	White	Plaster
Diffuser	Gold	Steel



IP20  FLOOD 80°  12

TECHNICAL CHARACTERISTICS

Light source

Light source: LED
 Light source power (W): 7W
 Luminaire total power (W): 8.6W
 Color temperature: LED warm-white
 2700K
 CRI: 80
 Real Lumen: 308
 Qty Leds: 1
 Lm/Real W: 36
 Life Time: 50.000h L70B30
 Bin / Grup: 30H (B4)
 MacAdam steps: 2
 UGR: 17.0

GEAR

Gear included: Yes, electronic
 Voltage / Frequency:
 100-240VAC/50-60Hz

Luminaire

Warranty: 2 Years

Logistics

Energy Efficiency: LED A++
 EAN Code: 8435381437459

Reference	Quantity	Volume (m3)	Weight Kg (packed)
71-5361-14-14	1.00	0.0070	1.070
71-5363-23-23	1.00		

The photograph may not match the reference exactly. Please read the product description to identify the finish.

Luminaire

Code 05-5361-14-23
 Name Colgante led 7.5W 2700K

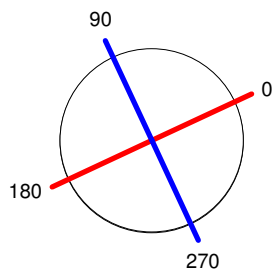
Measurerm.

Code 71-5362-14-14
 Name Colgante led 7.5W 2700K

Luminaire Flux	308.36 lm	Luminaire Power	8.00 W	Efficacy	38.54 lm/W	Efficiency	100.00%
Lamps Flux	308.37 lm	Maximum value	180.46 cd	Position	C=0.00 G=0.00	CG	Double Symmetrical
Round Luminaire Round Luminous Area		Diam.	110 mm	Height	1 mm		
		Diam.	110 mm	Height	0 mm		
Horizontal Luminous Area	0.009503 m2			Emitting area on Plane 180°	0.000000 m2		
Emitting area on Plane 0°	0.000000 m2			Emitting area on Plane 270°	0.000000 m2		
Emitting area on Plane 90°	0.000000 m2			Glare area at 76°	0.002299 m2		
Coordinate system	CG			Symmetry Type	Double Symmetrical		
Date	14-03-2016			Maximum Gamma Angle	90		
Measurement Distance	0.00			Measurement Flux	308.37 lm		
Operator				Source voltage			
Temperature	25.00 °C			Source current			
Humidity	60.00 %			Photocell			
Notes							

Line	Code	Luminaire Lamps	Flux [lm]	Pow. [W]	Q.ty
	71-5362-14-14	Name 71-5362-14-14 - 8.00 W	308.37	8.00	1
C.I.E.	71 90 98 100 100	D DIN 5040	A60		
F UTE	1.00 B	B NBN	BZ 2 / 4 / BZ 3		

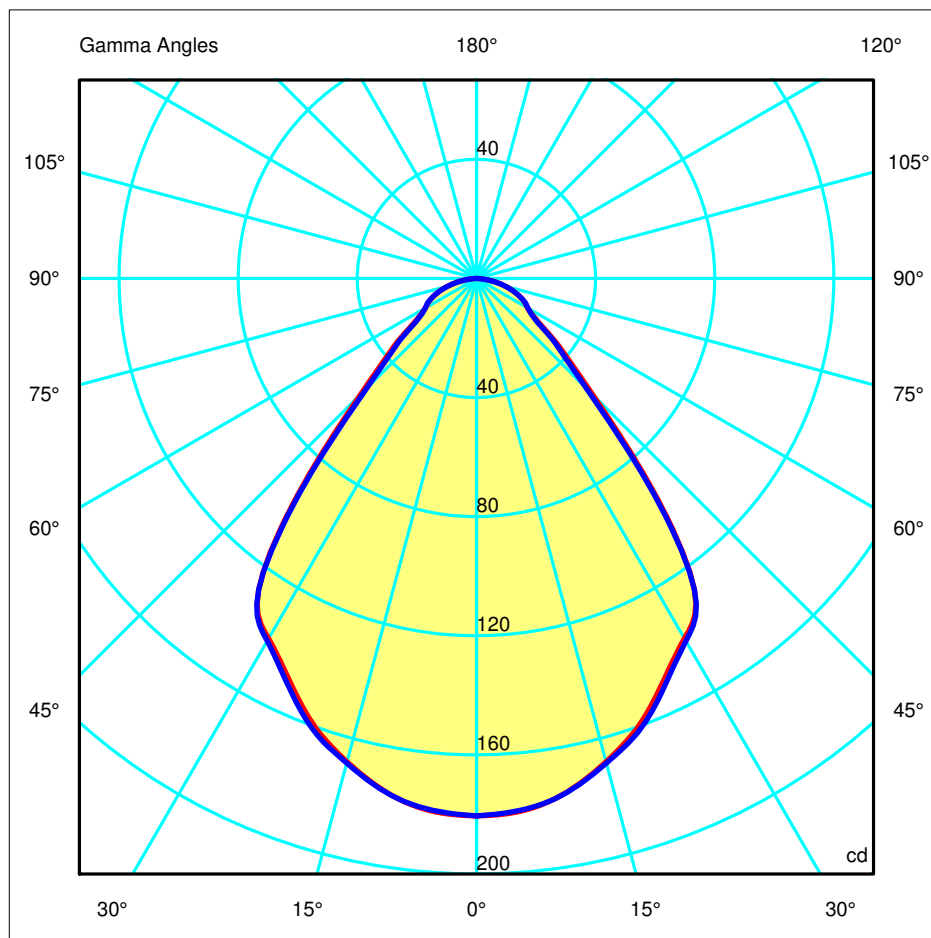
Diam=110mm



C Halfplanes

180.0 — 0.0
 270.0 — 90.0

ULOR 0.00 %
 DLOR 100.00 %
 RN 0.00 %



Luminaire

Code 05-5361-14-23
 Name Colgante led 7.5W 2700K

Measur.

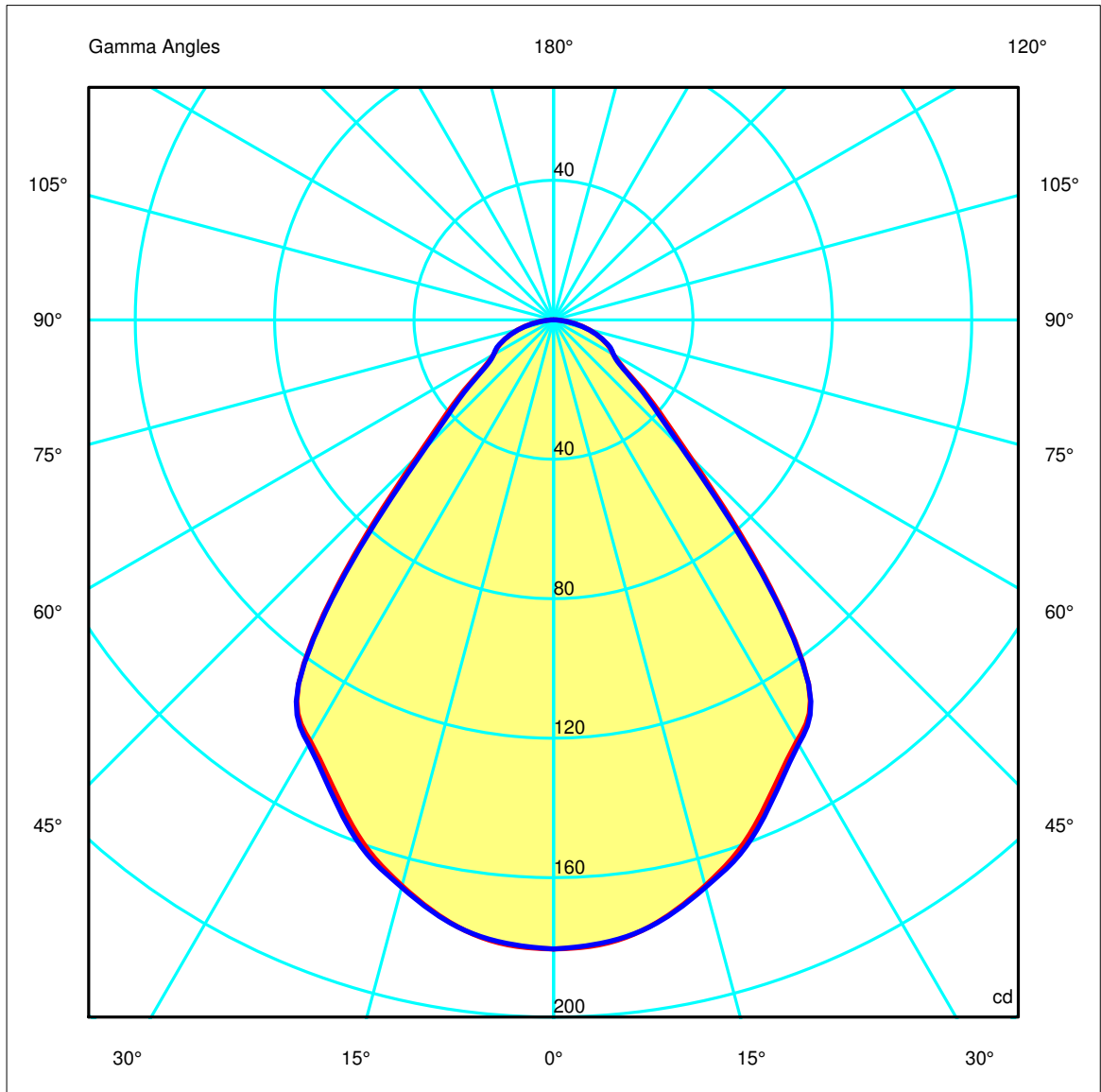
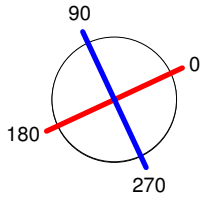
Code 71-5362-14-14
 Name Colgante led 7.5W 2700K

Luminaire Flux	308.36 lm	Luminaire Power	8.00 W	Efficacy	38.54 lm/W	Efficiency	100.00%
Lamps Flux	308.37 lm	Maximum value	180.46 cd	Position	C=0.00 G=0.00	CG	Double Symmetrical

Diam=110mm

C Halfplanes

180.0 ——— 0.0
 270.0 ——— 90.0



Luminaire

 Code 05-5361-14-23
 Name Colgante led 7.5W 2700K

Measurment.

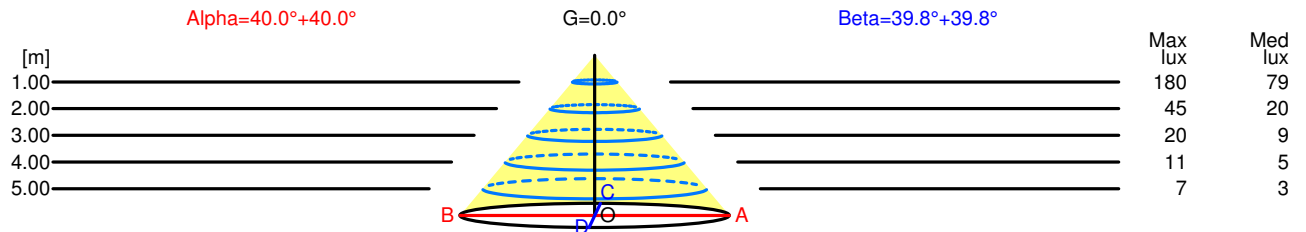
 Code 71-5362-14-14
 Name Colgante led 7.5W 2700K

Luminaire Flux	308.36 lm	Luminaire Power	8.00 W	Efficacy	38.54 lm/W	Efficiency	100.00%
Lamps Flux	308.37 lm	Maximum value	180.46 cd	Position	C=0.00 G=0.00	CG	Double Symmetrical

Width at 50.00 % of Max Intensity

H[m]	1.00	2.00	3.00	4.00	5.00	H[m]	1.00	2.00	3.00	4.00	5.00
OA	0.84	1.68	2.52	3.36	4.20	OC	0.83	1.67	2.50	3.34	4.17
OB	0.84	1.68	2.52	3.36	4.20	OD	0.83	1.67	2.50	3.34	4.17

	Luminous Intensities [cd]									
	0	5	15	25	35	45	55	65	75	85
OA	180.46	179.38	168.01	148.81	127.55	55.03	25.29	17.31	10.32	2.72
OB	180.46	179.38	168.01	148.81	127.55	55.03	25.29	17.31	10.32	2.72
OC	180.46	179.04	168.45	150.23	127.54	52.04	24.31	17.54	10.08	2.47
OD	180.46	179.04	168.45	150.23	127.54	52.04	24.31	17.54	10.08	2.47



H[m]	D[m]	Max lux	Med lux	Alpha=40.0°+40.0°	G=0.0
1.00	1.68	180	79		
2.00	3.36	45	20		
3.00	5.04	20	9		
4.00	6.72	11	5		
5.00	8.40	7	3		

H[m]	D[m]	Max lux	Med lux	Beta=39.8°+39.8°	G=0.0
1.00	1.67	180	79		
2.00	3.34	45	20		
3.00	5.00	20	9		
4.00	6.67	11	5		
5.00	8.34	7	3		

Luminaire

Code 05-5361-14-23
 Name Colgante led 7.5W 2700K

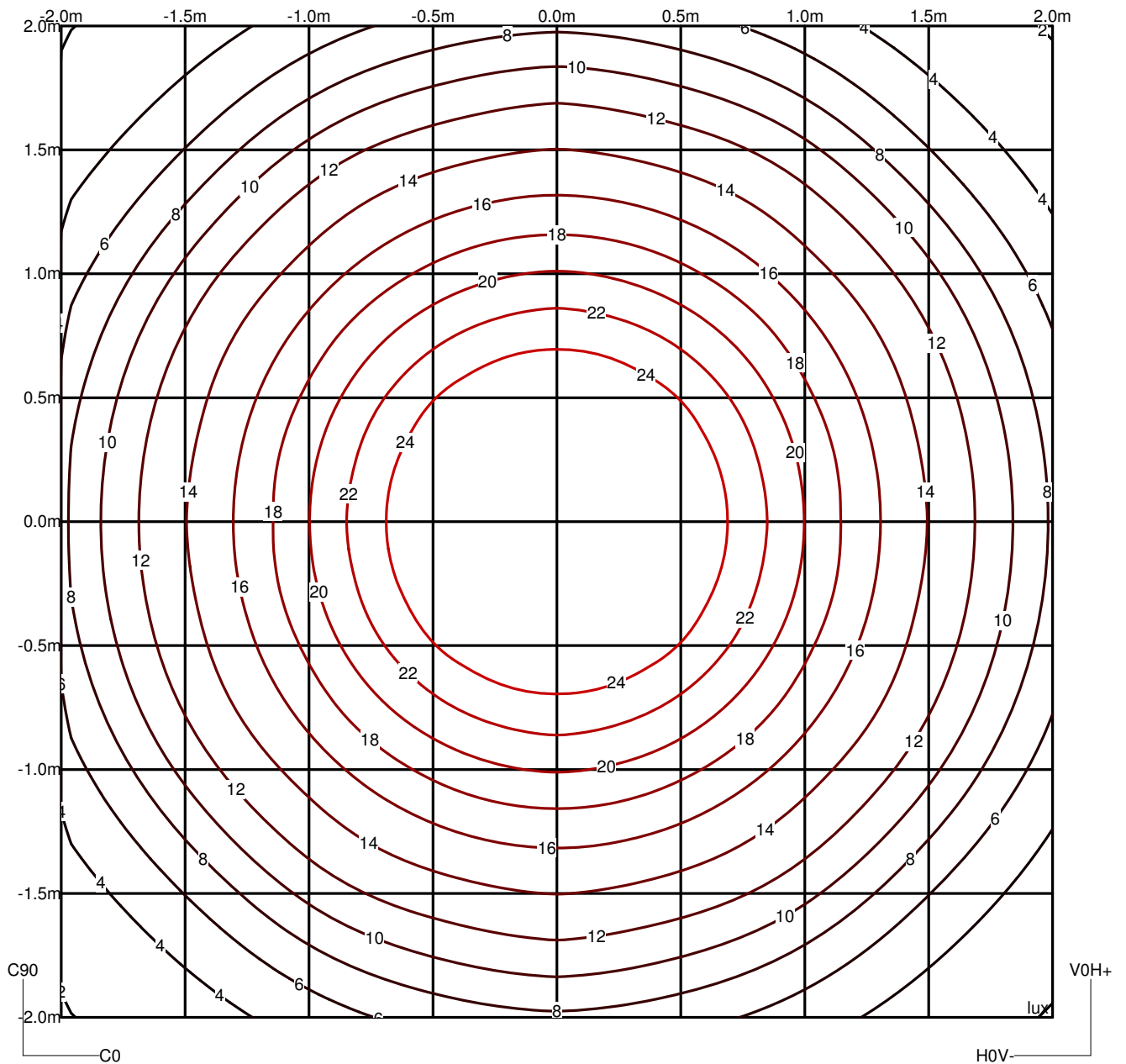
Measurment.

Code 71-5362-14-14
 Name Colgante led 7.5W 2700K

Luminaire Flux	308.36 lm	Luminaire Power	8.00 W	Efficacy	38.54 lm/W	Efficiency	100.00%
Lamps Flux	308.37 lm	Maximum value	180.46 cd	Position	C=0.00 G=0.00	CG	Double Symmetrical

Isolux (Floor)

Luminaire position X=0.00m Y=0.00m Z=2.50m



Luminaire

Code 05-5361-14-23
 Name Colgante led 7.5W 2700K

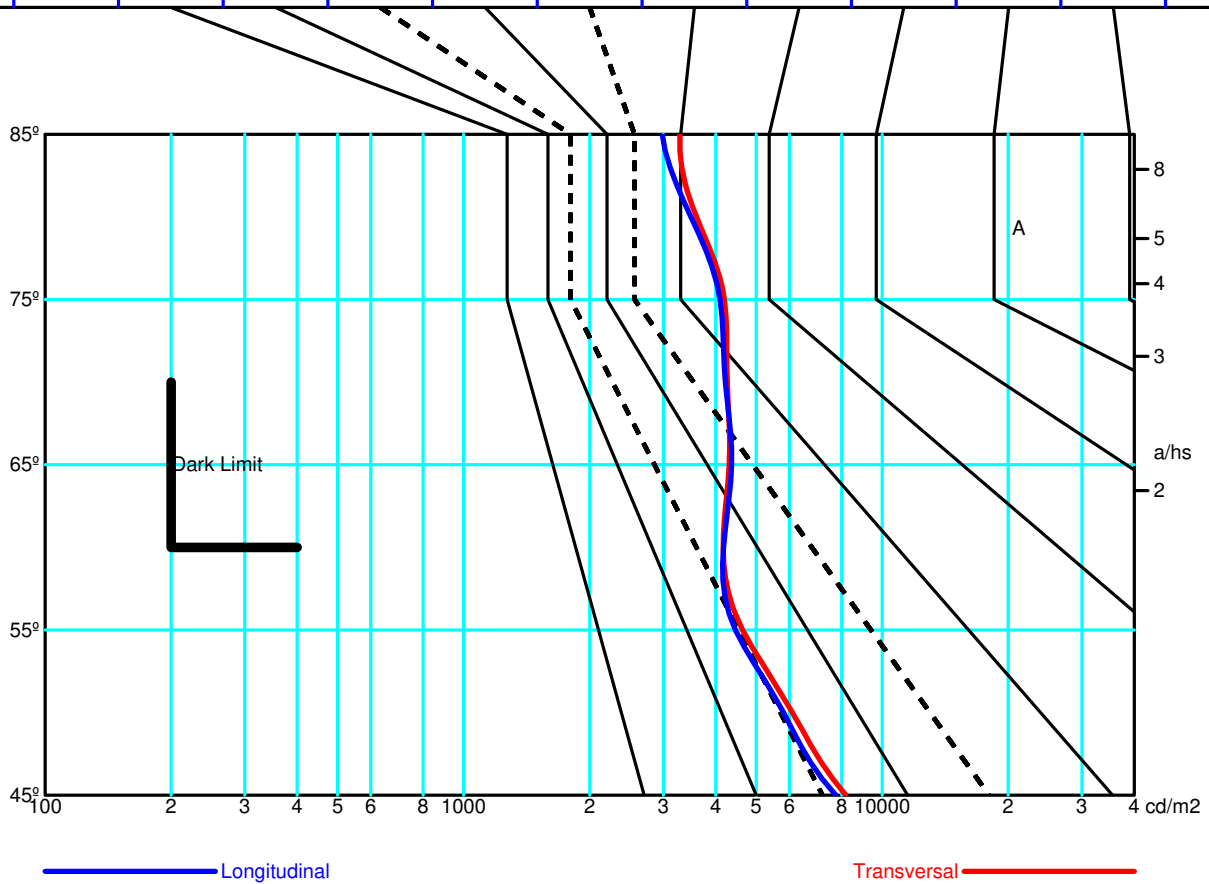
Measurerm.

Code 71-5362-14-14
 Name Colgante led 7.5W 2700K

Luminaire Flux	308.36 lm	Luminaire Power	8.00 W	Efficacy	38.54 lm/W	Efficiency	100.00%
Lamps Flux	308.37 lm	Maximum value	180.46 cd	Position	C=0.00 G=0.00	CG	Double Symmetrical

	Average Luminance [cd/m ²]									
	45°	50°	55°	60°	65°	70°	75°	80°	85°	
0.0°	8189	6101	4640	4169	4310	4261	4196	3600	3284	---
90.0°	7744	5810	4460	4178	4367	4218	4098	3491	2982	---

Flush mounted or longitudinal view												
		Illumination(lx)										
A	A	2000	1000	750	500		<300					1.15
B	1		2000	1500	1000	750	500	<300				1.5
C					2000		1000	500	<300			1.85
D	2						2000	1000	500	<300		2.2
E	3							2000	1000	500	<300	2.55



Luminaire

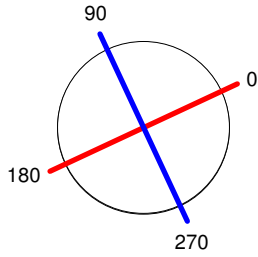
Code 05-5361-14-23
 Name Colgante led 7.5W 2700K

Measurement

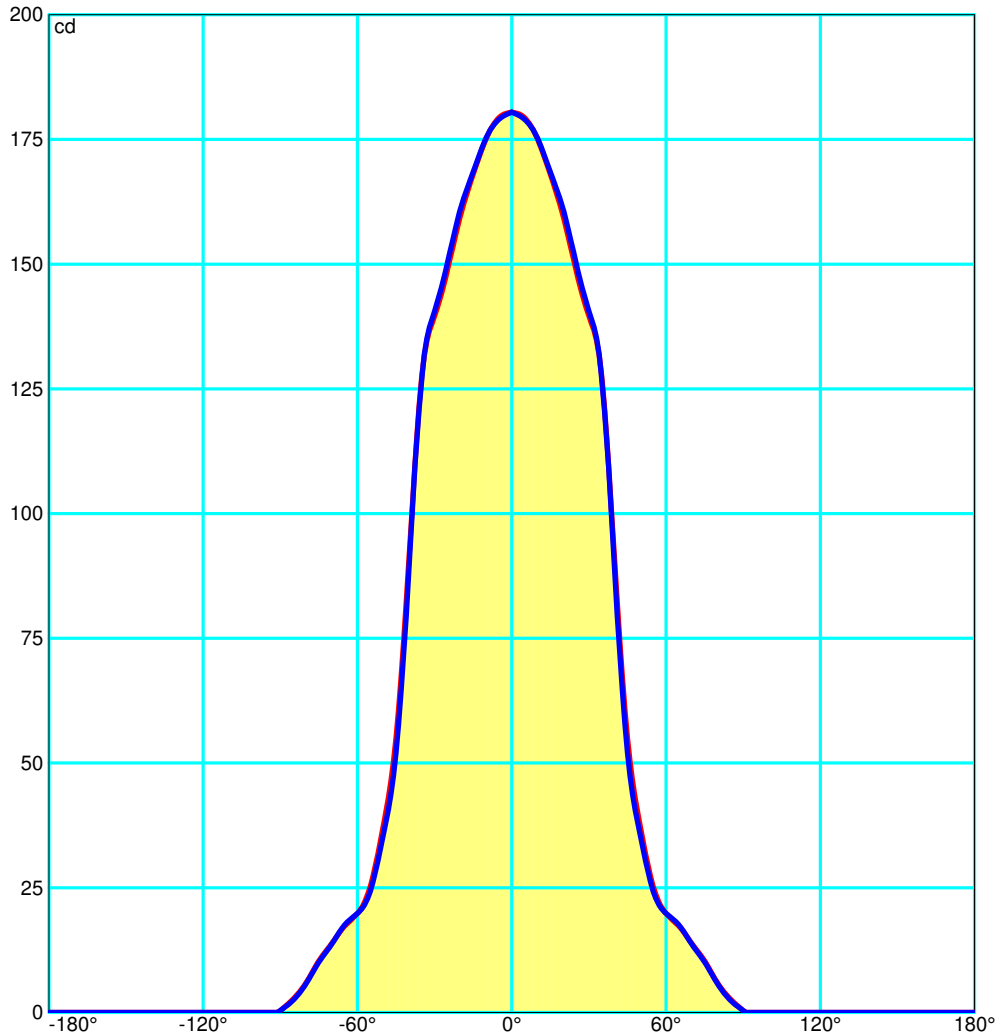
Code 71-5362-14-14
 Name Colgante led 7.5W 2700K

Luminaire Flux	308.36 lm	Luminaire Power	8.00 W	Efficacy	38.54 lm/W	Efficiency	100.00%
Lamps Flux	308.37 lm	Maximum value	180.46 cd	Position	C=0.00 G=0.00	CG	Double Symmetrical

Diam=110mm



C Halfplanes



Luminaire

 Code 05-5361-14-23
 Name Colgante led 7.5W 2700K

Measurement

 Code 71-5362-14-14
 Name Colgante led 7.5W 2700K

Luminaire Flux	308.36 lm	Luminaire Power	8.00 W	Efficacy	38.54 lm/W	Efficiency	100.00%
Lamps Flux	308.37 lm	Maximum value	180.46 cd	Position	C=0.00 G=0.00	CG	Double Symmetrical

UGR
S = 0.250

Reflectancies										
Ceiling/Cavity	0.7	0.7	0.5	0.5	0.3	0.7	0.7	0.5	0.5	0.3
Walls	0.5	0.3	0.5	0.3	0.3	0.5	0.3	0.5	0.3	0.3
WorkingPlane	0.2	0.2	0.2	0.2	0.2	0.2	0.2	0.2	0.2	0.2
RoomDimensions	ViewedCrosswise					ViewedEndwise				
x=2H y=2H	17.1	18.1	17.3	18.3	18.4	17.0	18.0	17.3	18.2	18.4
x=2H y=3H	18.1	19.0	18.4	19.3	19.4	18.0	19.0	18.3	19.2	19.4
x=2H y=4H	18.7	19.5	19.0	19.8	20.0	18.6	19.4	18.9	19.7	20.0
x=2H y=6H	19.1	19.9	19.4	20.1	20.3	19.0	19.7	19.3	20.0	20.3
x=2H y=8H	19.2	19.9	19.5	20.3	20.4	19.1	19.8	19.4	20.1	20.4
x=2H y=12H	19.3	20.0	19.6	20.3	20.5	19.1	19.9	19.5	20.2	20.5
x=4H y=2H	17.5	18.3	17.8	18.6	18.8	17.4	18.3	17.7	18.5	18.8
x=4H y=3H	18.8	19.5	19.2	19.8	20.1	18.7	19.5	19.1	19.8	20.1
x=4H y=4H	19.5	20.1	19.9	20.4	20.7	19.4	20.0	19.8	20.4	20.7
x=4H y=6H	20.0	20.6	20.4	20.9	21.2	19.9	20.5	20.3	20.8	21.2
x=4H y=8H	20.2	20.7	20.6	21.1	21.4	20.1	20.6	20.5	21.0	21.4
x=4H y=12H	20.3	20.8	20.8	21.2	21.5	20.2	20.6	20.6	21.1	21.5
x=8H y=4H	19.8	20.3	20.2	20.6	21.0	19.7	20.2	20.1	20.6	21.0
x=8H y=6H	20.4	20.8	20.9	21.3	21.6	20.3	20.7	20.8	21.2	21.6
x=8H y=8H	20.7	21.0	21.2	21.5	21.8	20.6	20.9	21.1	21.4	21.8
x=8H y=12H	20.9	21.2	21.4	21.6	22.0	20.7	21.0	21.2	21.5	22.0
x=12H y=4H	19.8	20.2	20.2	20.6	21.0	19.7	20.2	20.1	20.6	21.0
x=12H y=6H	20.5	20.8	21.0	21.3	21.7	20.4	20.7	20.9	21.2	21.7
x=12H y=8H	20.8	21.1	21.3	21.5	21.9	20.7	21.0	21.1	21.4	21.9

Luminaire

 Code 05-5361-14-23
 Name Colgante led 7.5W 2700K

Measuram.

 Code 71-5362-14-14
 Name Colgante led 7.5W 2700K

Luminaire Flux	308.36 lm	Luminaire Power	8.00 W	Efficacy	38.54 lm/W	Efficiency	100.00%
Lamps Flux	308.37 lm	Maximum value	180.46 cd	Position	C=0.00 G=0.00	CG	Double Symmetrical

Total Flux=308.37 Luminaire Flux=308.36

RI	0.60	0.80	1.00	1.25	1.50	2.00	2.50	3.00	4.00	5.00	10.00	20.00
DRR	0.49	0.56	0.63	0.69	0.73	0.80	0.84	0.87	0.90	0.92	0.96	0.99
RC	2	2	2	2	2	2	2	2	2	2	1	-

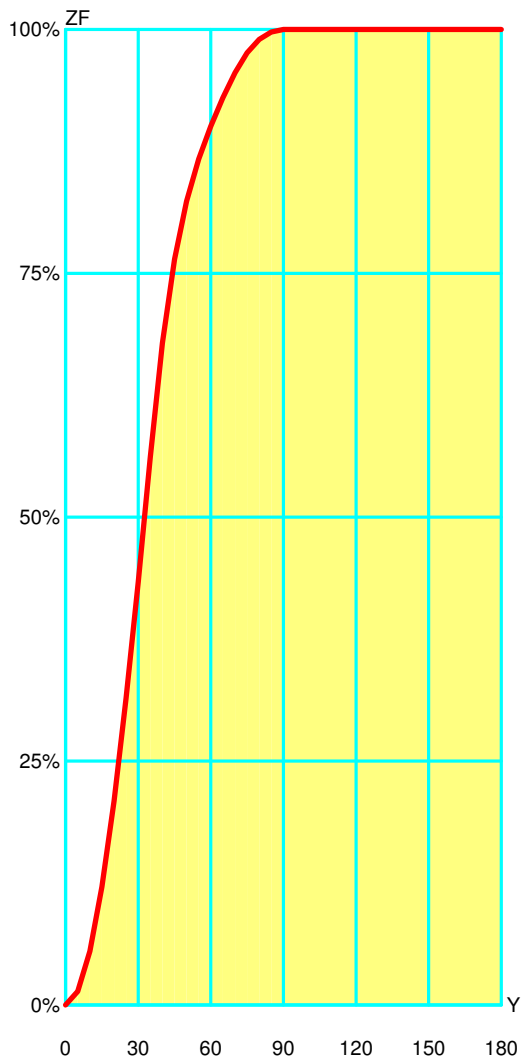
Zonal Flux per 1000 Lumen

Y°	10	20	30	40	50	60	70	80	90	100	110	120	130	140	150	160	170	180
ZF(Y)	55	209	433	678	824	901	956	990	1000	1000	1000	1000	1000	1000	1000	1000	1000	1000

CIE Flux Codes

71 90 98 100 100

C.I.E.	2/2/2/2/2/2/2/2/1/-	LOR	99.99592 %
D DIN 5040	A60	ULOR	0.00000 %
F UTE	1.00 B	DLOR	99.99592 %
B NBN	BZ 2 / 4 / BZ 3	UFF	0.00000 %
RN	0.00000 %	DFF	100.00000 %
BLF	1.0	FFR	0.00000 %



Gamma °	Zonal Flux			
	Flux	Sum lm	Flux [%]	Sum [%]
0°	0.00	0.00	0.00%	0.00 %
5°	13.94	13.94	1.39 %	1.39 %
10°	41.12	55.06	4.11 %	5.51 %
15°	66.09	121.16	6.61 %	12.12 %
20°	87.83	208.99	8.78 %	20.90 %
25°	105.52	314.50	10.55 %	31.45 %
30°	118.98	433.48	11.90 %	43.35 %
35°	127.66	561.14	12.77 %	56.12 %
40°	117.36	678.50	11.74 %	67.85 %
45°	86.11	764.60	8.61 %	76.46 %
50°	59.27	823.88	5.93 %	82.39 %
55°	43.32	867.20	4.33 %	86.72 %
60°	33.46	900.66	3.35 %	90.07 %
65°	29.35	930.01	2.94 %	93.01 %
70°	25.67	955.68	2.57 %	95.57 %
75°	20.27	975.96	2.03 %	97.60 %
80°	13.91	989.87	1.39 %	98.99 %
85°	7.49	997.36	0.75 %	99.74 %
90°	2.60	999.96	0.26 %	100.00 %
95°	0.00	999.96	0.00 %	100.00 %
100°	0.00	999.96	0.00 %	100.00 %
105°	0.00	999.96	0.00 %	100.00 %
110°	0.00	999.96	0.00 %	100.00 %
115°	0.00	999.96	0.00 %	100.00 %
120°	0.00	999.96	0.00 %	100.00 %
125°	0.00	999.96	0.00 %	100.00 %
130°	0.00	999.96	0.00 %	100.00 %
135°	0.00	999.96	0.00 %	100.00 %
140°	0.00	999.96	0.00 %	100.00 %
145°	0.00	999.96	0.00 %	100.00 %
150°	0.00	999.96	0.00 %	100.00 %
155°	0.00	999.96	0.00 %	100.00 %
160°	0.00	999.96	0.00 %	100.00 %
165°	0.00	999.96	0.00 %	100.00 %
170°	0.00	999.96	0.00 %	100.00 %
175°	0.00	999.96	0.00 %	100.00 %
180°	0.00	999.96	0.00 %	100.00 %

Luminaire

Code 05-5361-14-23
 Name Colgante led 7.5W 2700K

Measuram.

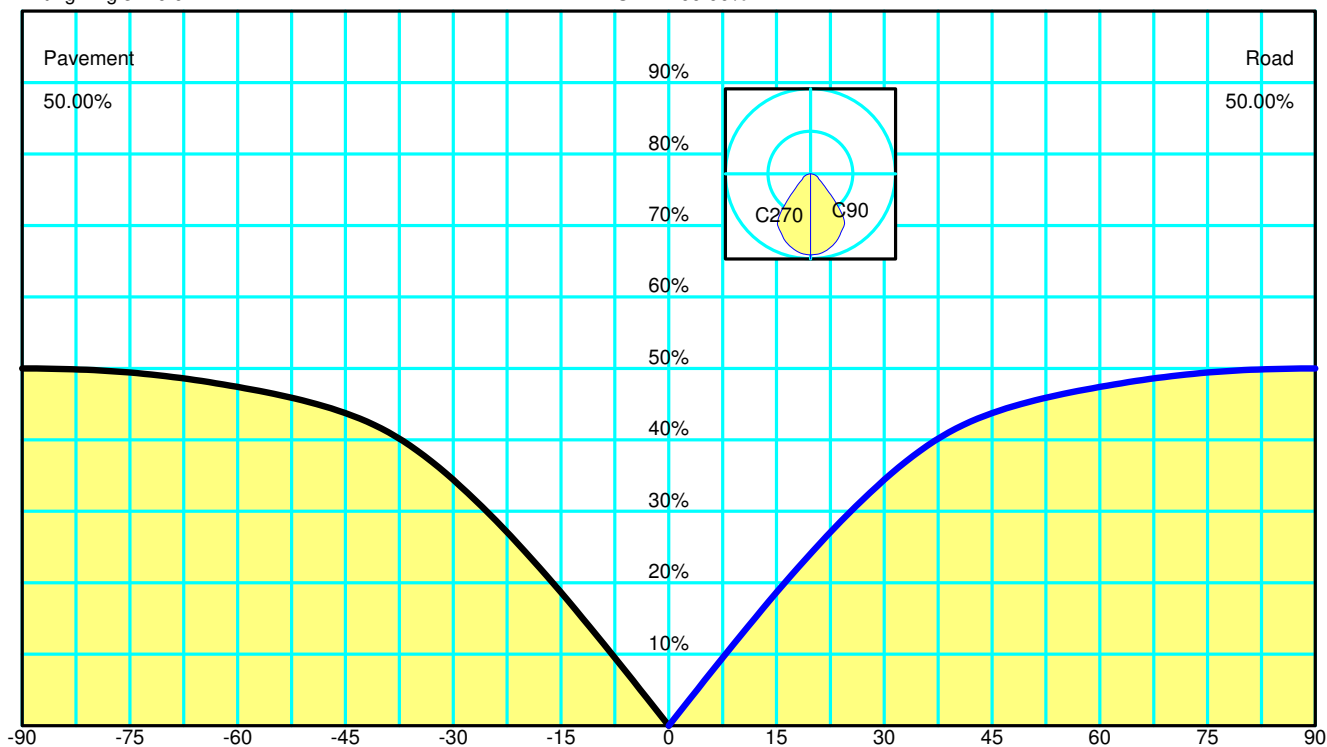
Code 71-5362-14-14
 Name Colgante led 7.5W 2700K

Luminaire Flux	308.36 lm	Luminaire Power	8.00 W	Efficacy	38.54 lm/W	Efficiency	100.00%
Lamps Flux	308.37 lm	Maximum value	180.46 cd	Position	C=0.00 G=0.00	CG	Double Symmetrical

Pavement			Road		
Piano	0	0.00%	Piano	0	0.00%
Piano	-5	6.36%	Piano	5	6.36%
Piano	-10	12.61%	Piano	10	12.61%
Piano	-15	18.64%	Piano	15	18.64%
Piano	-20	24.37%	Piano	20	24.37%
Piano	-25	29.66%	Piano	25	29.66%
Piano	-30	34.41%	Piano	30	34.41%
Piano	-35	38.49%	Piano	35	38.49%
Piano	-40	41.59%	Piano	40	41.59%
Piano	-45	43.73%	Piano	45	43.73%
Piano	-50	45.27%	Piano	50	45.27%
Piano	-55	46.44%	Piano	55	46.44%
Piano	-60	47.40%	Piano	60	47.40%
Piano	-65	48.23%	Piano	65	48.23%
Piano	-70	48.91%	Piano	70	48.91%
Piano	-75	49.42%	Piano	75	49.42%
Piano	-80	49.76%	Piano	80	49.76%
Piano	-85	49.93%	Piano	85	49.93%
Piano	-90	50.00%	Piano	90	50.00%

Tilting Angle = 0.0

DLOR = 100.00%



Spread	19.2° Narrow	DLOR	99.99592 %
Throw	9.3° Short	ULOR	0.00000 %
SLI (glare)	8.9 Tight	Efficiency	99.99592 %
CIE Cutoff	Cutoff - Max: C=0.0° Gamma=0.0°	RN	0.00000 %
lesna Cutoff	Cutoff	Luminous Intensity Class	G5
DIN5044	KB1	Glare Index	D6

IESNA Type V Very Short Quadrilateral Symmetry

Luminaire

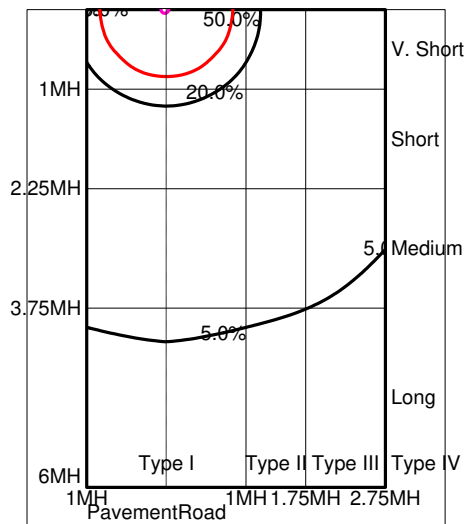
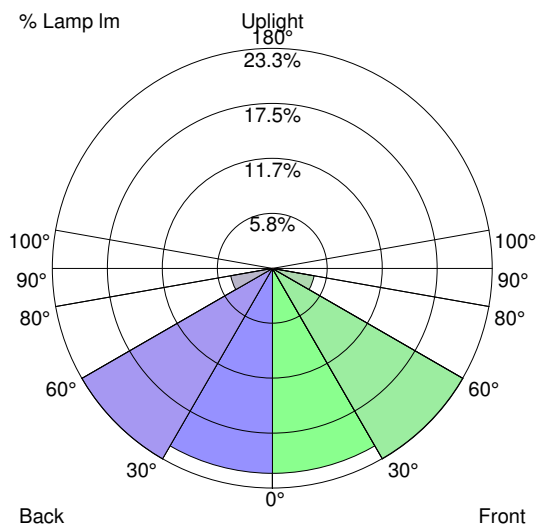
 Code 05-5361-14-23
 Name Colgante led 7.5W 2700K

Measurerm.

 Code 71-5362-14-14
 Name Colgante led 7.5W 2700K

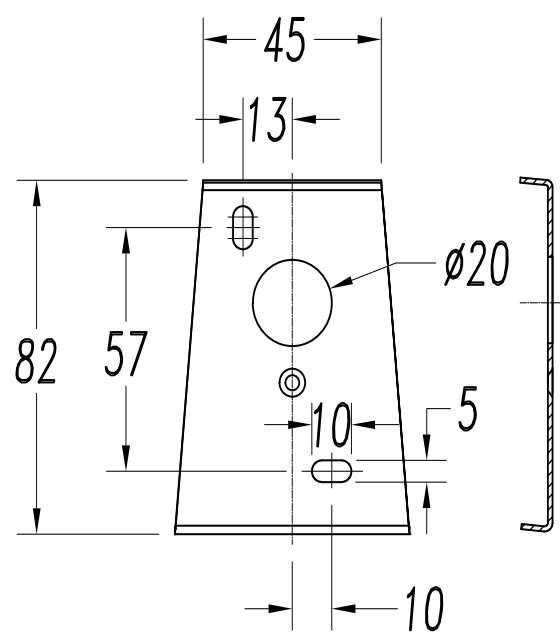
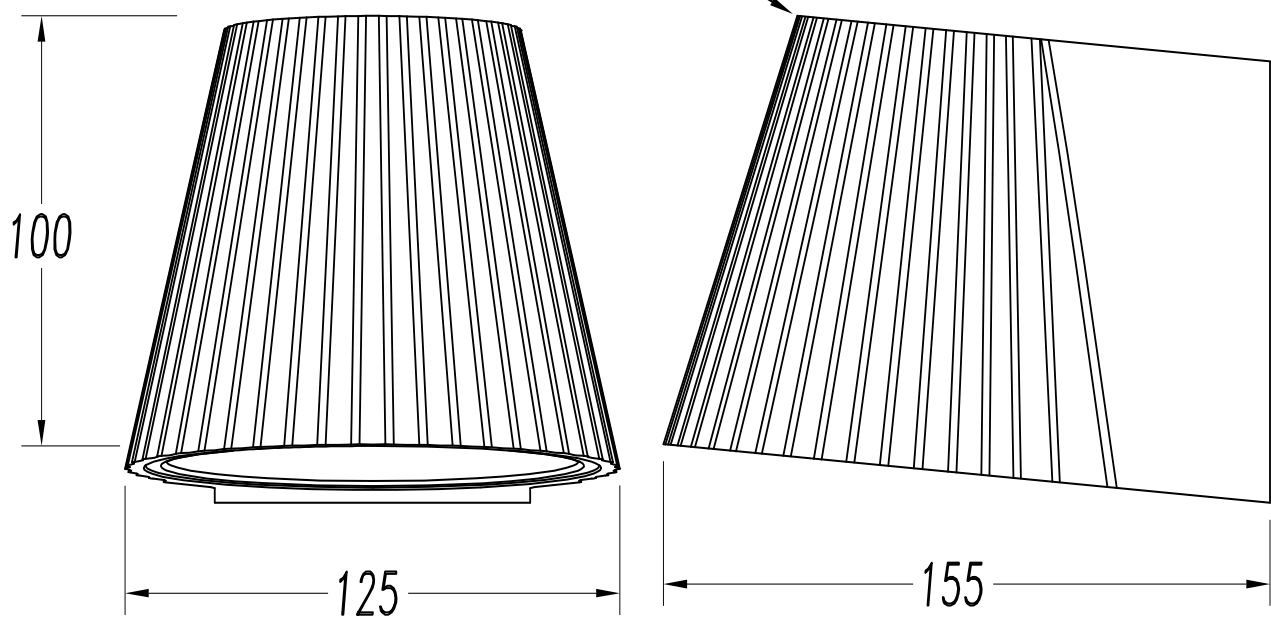
Luminaire Flux	308.36 lm	Luminaire Power	8.00 W	Efficacy	38.54 lm/W	Efficiency	100.00%
Lamps Flux	308.37 lm	Maximum value	180.46 cd	Position	C=0.00 G=0.00	CG	Double Symmetrical

US ROAD STANDARDS

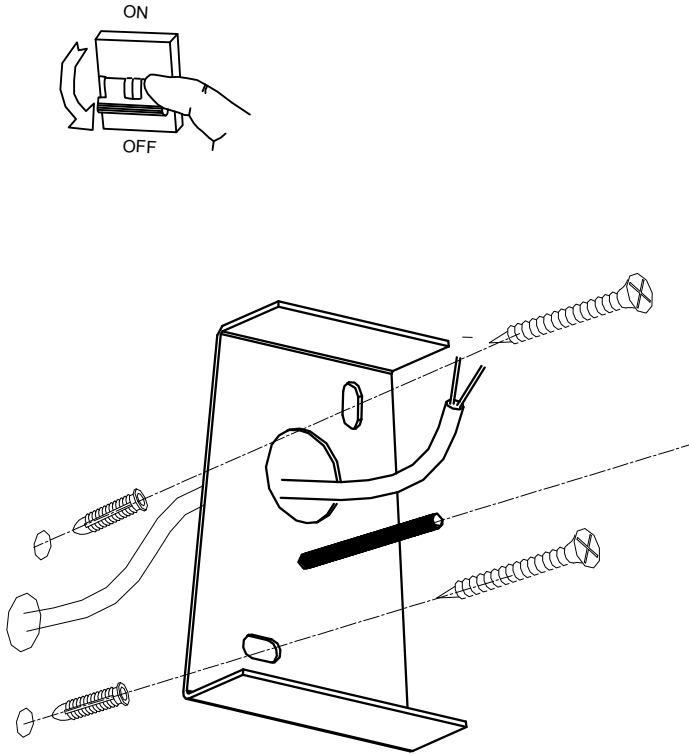


Luminaire Classification System (LCS)				
LCS Zone		Lumens	%Lamp	%Lum
FL	0° -- 30°	67.0 lm	21.7 %	21.7 %
FM	30° -- 60°	71.9 lm	23.3 %	23.3 %
FH	60° -- 80°	13.8 lm	4.5 %	4.5 %
FVH	80° -- 90°	1.5 lm	0.5 %	0.5 %
BL	0° -- 30°	67.0 lm	21.7 %	21.7 %
BM	30° -- 60°	71.9 lm	23.3 %	23.3 %
BH	60° -- 80°	13.8 lm	4.5 %	4.5 %
BVH	80° -- 90°	1.5 lm	0.5 %	0.5 %
UL	90° -- 100°	0.0 lm	0.0 %	0.0 %
UH	100° -- 180°	0.0 lm	0.0 %	0.0 %
TOTALS		308.4 lm	100.0 %	100.0 %
BUG B0 U0 G0		Type V Very Short	Quadrilateral Symmetry	

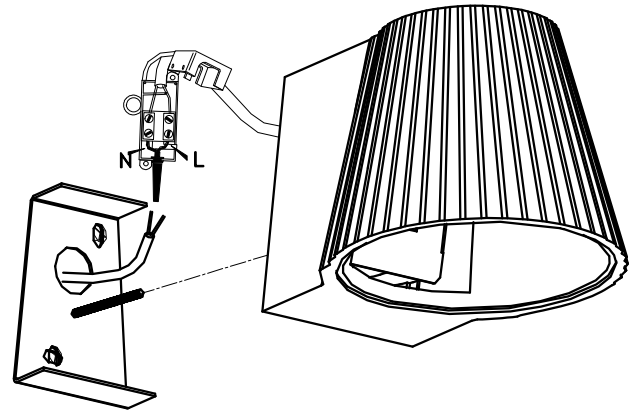
PLASTER/ WHITE



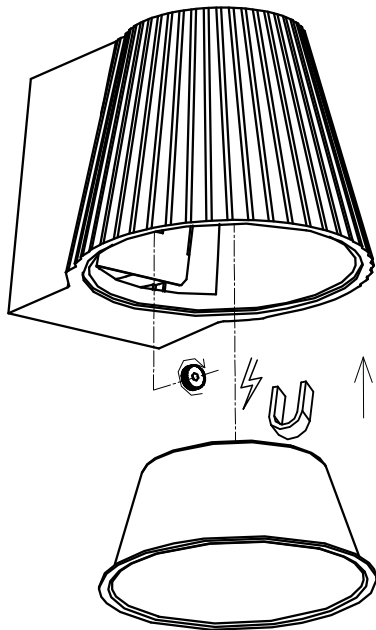
1



2



3



4

