

FLAT Wall fixture

05-5093-81-B9U v0



Finish

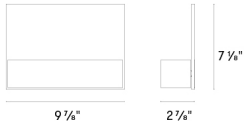
Satin nickel
Tinted
NA

Material

Steel
Aluminium
Glass



TECHNICAL CHARACTERISTICS



Light source

Light source: LED CREE
Output (W): 8W
Color temperature: LED warm-white
3000K
CRI: 80
Photobiological risk: RG2
Real Lumen: 534
Qty Leds: 8
Lm/Real W: 67
Life Time: 50.000h L80B20
Bin / Grup: 7C1 o 7B4
UGR: 5.3

GEAR

Brand: MEANWELL
Gear included: Yes, electronic
Voltage / Frequency: 90-264 VAC

Luminaire

Warranty: 5 Years

Logistics

EAN Code: 8435381437138
Net Weight (Lb): 3.31
Weight in Kg (packaged): 1.960
Packing: 250 x 135 x 320
Masterbox: 6

The photograph may not match the reference exactly. Please read the product description to identify the finish.

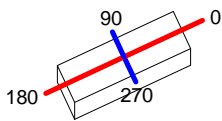
Luminaire

Code 05-5093-81-B9U
 Name Aplique FLAT 8 leds 10W
Measur.
 Code CL116A17F237G
 Name Aplique FLAT 8 leds 10W

Luminaire Flux	533.90 lm	Luminaire Power	10.12 W	Efficacy	52.76 lm/W	Efficiency	100.00%
Lamps Flux	533.90 lm	Maximum value	177.86 cd	Position	C=90.00 G=160.00	CG Sym. on planes	270-90
Rectangular Luminaire		Length	80 mm	Width	250 mm	Height	180 mm
Rectangular Luminous Area		Length	80 mm	Width	250 mm	Height	180 mm
Horizontal Luminous Area	0.020000 m2	Emitting area on Plane 180°		0.014400 m2			
Emitting area on Plane 0°	0.014400 m2	Emitting area on Plane 270°		0.045000 m2			
Emitting area on Plane 90°	0.045000 m2	Glare area at 76°		0.018811 m2			
Coordinate system	CG	Symmetry Type		Sym. on planes 270-90			
Date	08-05-2017	Maximum Gamma Angle		180			
Measurement Distance	6.44	Measurement Flux		533.90 lm			
Operator	Asselum T2	Source Voltage [V]		230.70 V			
Temperature	25.00 °C	Source current [A]		0.09 A			
Humidity	54.00 %	Photocell		Prc			
Notes	CG						

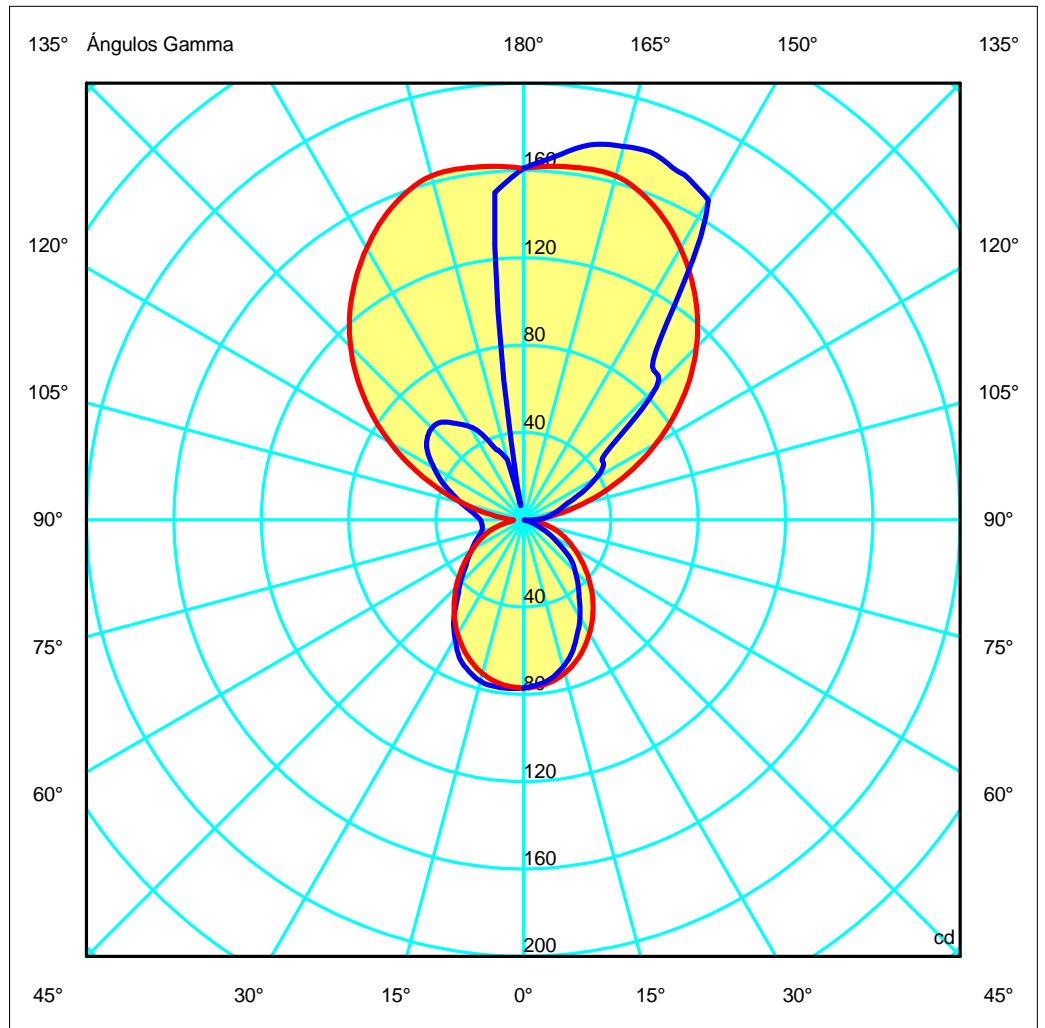
Line	Code	Luminaire Lamps	Flux [lm]	Pow. [W]	Q.ty
	05-5093-81-B9U	Name Aplique FLAT 8 leds 10W	533.90	10.12	1
C.I.E.	48 75 90 37 100	D DIN 5040	D32		
F UTE	0.37 E + 0.63 T	B NBN	BZ 4 / 0.8 / BZ 5		

80mm x 250mm



Semiplanos C
 270.0 — 0.0
 180.0 — 90.0

ULOR 62.73 %
 DLOR 37.27 %
 RN 62.73 %



Luminaire

Code 05-5093-81-B9U
 Name Aplique FLAT 8 leds 10W
Measurerm.
 Code CL116A17F237G
 Name Aplique FLAT 8 leds 10W

Luminaire Flux	533.90 lm	Luminaire Power	10.12 W	Efficacy	52.76 lm/W	Efficiency	100.00%
Lamps Flux	533.90 lm	Maximum value	177.86 cd	Position	C=90.00 G=160.00	CG	Sym. on planes 270-90

Luminous Intensity Table cd Table 1/1

	C 270.00	C 285.00	C 300.00	C 315.00	C 330.00	C 345.00	C 0.00	C 15.00	C 30.00	C 45.00	C 60.00	C 75.00	C 90.00
G 0.0	77.02	77.02	77.02	77.02	77.02	77.02	77.02	77.02	77.02	77.02	77.02	77.02	77.02
G 5.0	77.46	77.41	77.28	77.11	76.92	76.73	76.56	76.39	76.23	76.08	75.95	75.85	75.82
G 10.0	77.45	77.21	76.67	76.11	75.70	75.39	75.15	74.99	74.83	74.58	74.20	73.80	73.62
G 15.0	76.48	75.86	74.60	73.52	73.05	72.91	72.75	72.79	72.81	72.53	71.63	70.38	69.74
G 20.0	73.56	72.16	70.10	69.19	69.06	69.35	69.36	69.61	69.95	69.98	68.54	66.15	64.78
G 25.0	69.47	66.80	63.45	63.38	64.38	64.96	65.14	65.49	66.03	66.30	64.81	60.80	58.10
G 30.0	62.71	58.76	55.63	57.10	59.31	60.04	60.30	60.66	61.07	61.43	60.37	55.45	51.74
G 35.0	55.70	50.28	47.78	51.20	53.84	54.77	55.01	55.42	55.60	55.55	54.76	49.91	44.61
G 40.0	47.22	41.47	41.18	45.54	47.99	49.23	49.43	49.99	50.13	49.33	48.64	44.36	38.96
G 45.0	41.00	34.72	36.16	39.64	42.02	43.49	43.68	44.48	44.64	43.42	42.19	39.64	33.37
G 50.0	35.10	29.79	32.21	33.91	36.20	37.70	37.90	38.91	39.31	37.75	36.36	34.69	28.38
G 55.0	31.06	26.21	28.21	28.99	30.89	32.11	32.30	33.46	34.22	32.72	30.61	29.45	20.84
G 60.0	27.32	23.97	24.61	25.01	26.30	26.94	27.08	28.37	29.34	27.83	24.79	23.72	14.59
G 65.0	24.50	21.85	21.69	22.03	22.35	22.31	22.35	23.87	24.42	22.55	18.67	17.54	9.07
G 70.0	21.76	20.21	19.92	19.77	18.96	18.19	17.87	19.84	19.32	16.85	13.10	11.05	4.55
G 75.0	19.81	19.26	19.20	18.20	16.34	14.54	13.29	16.07	14.63	11.72	8.82	6.82	2.13
G 80.0	19.09	19.51	19.28	17.76	14.83	11.45	8.59	12.52	11.36	8.56	6.66	4.44	0.55
G 85.0	19.16	20.38	20.21	18.57	14.49	9.28	5.19	9.79	9.98	7.89	6.60	4.46	0.92
G 90.0	19.75	22.52	22.20	20.33	15.15	8.43	4.86	8.63	10.30	9.06	7.89	6.27	5.06
G 95.0	21.74	25.89	25.37	22.74	16.60	9.32	8.90	9.75	12.14	11.37	9.72	7.84	9.66
G100.0	24.74	30.24	29.33	25.71	18.45	12.34	16.87	13.59	15.66	14.44	12.00	10.67	12.42
G105.0	29.50	35.29	33.79	29.06	20.38	17.86	20.58	20.97	20.97	18.80	14.89	13.46	16.44
G110.0	34.54	41.22	38.81	32.44	22.44	25.68	40.94	31.26	27.14	25.25	19.21	17.46	20.71
G115.0	41.13	46.85	43.81	35.46	24.66	34.13	55.34	45.83	33.24	31.94	25.79	22.68	29.32
G120.0	47.15	51.69	47.06	37.53	26.13	41.71	70.25	64.04	41.37	37.46	32.70	28.83	38.26
G125.0	53.51	54.61	48.21	38.19	25.91	48.20	84.93	84.42	57.03	43.05	40.89	36.11	44.81
G130.0	57.65	55.70	47.90	37.07	24.35	54.80	98.96	103.95	79.35	53.58	49.24	41.66	51.86
G135.0	59.44	54.40	46.40	35.49	22.64	61.95	111.97	120.10	101.68	76.29	55.31	51.81	86.15
G140.0	58.40	51.34	42.27	33.99	29.38	70.61	123.70	131.84	122.54	99.69	70.99	67.01	91.85
G145.0	53.87	46.31	37.79	26.95	53.14	83.10	134.22	141.01	141.61	117.94	107.83	94.86	121.23
G150.0	49.42	41.69	34.21	17.11	78.34	102.24	143.71	149.76	154.58	145.75	125.00	134.06	169.27
G155.0	41.88	33.97	19.70	54.15	81.30	125.30	152.17	158.02	162.12	163.81	161.09	156.19	174.50
G160.0	33.89	31.51	51.09	80.95	90.28	145.51	158.94	164.16	168.72	170.24	173.42	176.47	177.86
G165.0	28.57	44.39	53.94	69.47	116.53	154.15	163.17	167.13	171.20	172.86	174.35	175.85	177.16
G170.0	16.17	37.31	69.56	113.45	152.59	158.74	163.46	166.17	168.62	171.66	173.04	173.76	174.44
G175.0	150.45	151.29	152.88	155.10	157.74	160.55	162.59	164.02	165.25	166.23	166.91	167.23	167.14
G180.0	161.15	161.15	161.15	161.15	161.15	161.15	161.15	161.15	161.15	161.15	161.15	161.15	161.15

Luminaire

Code 05-5093-81-B9U
 Name Applique FLAT 8 leds 10W

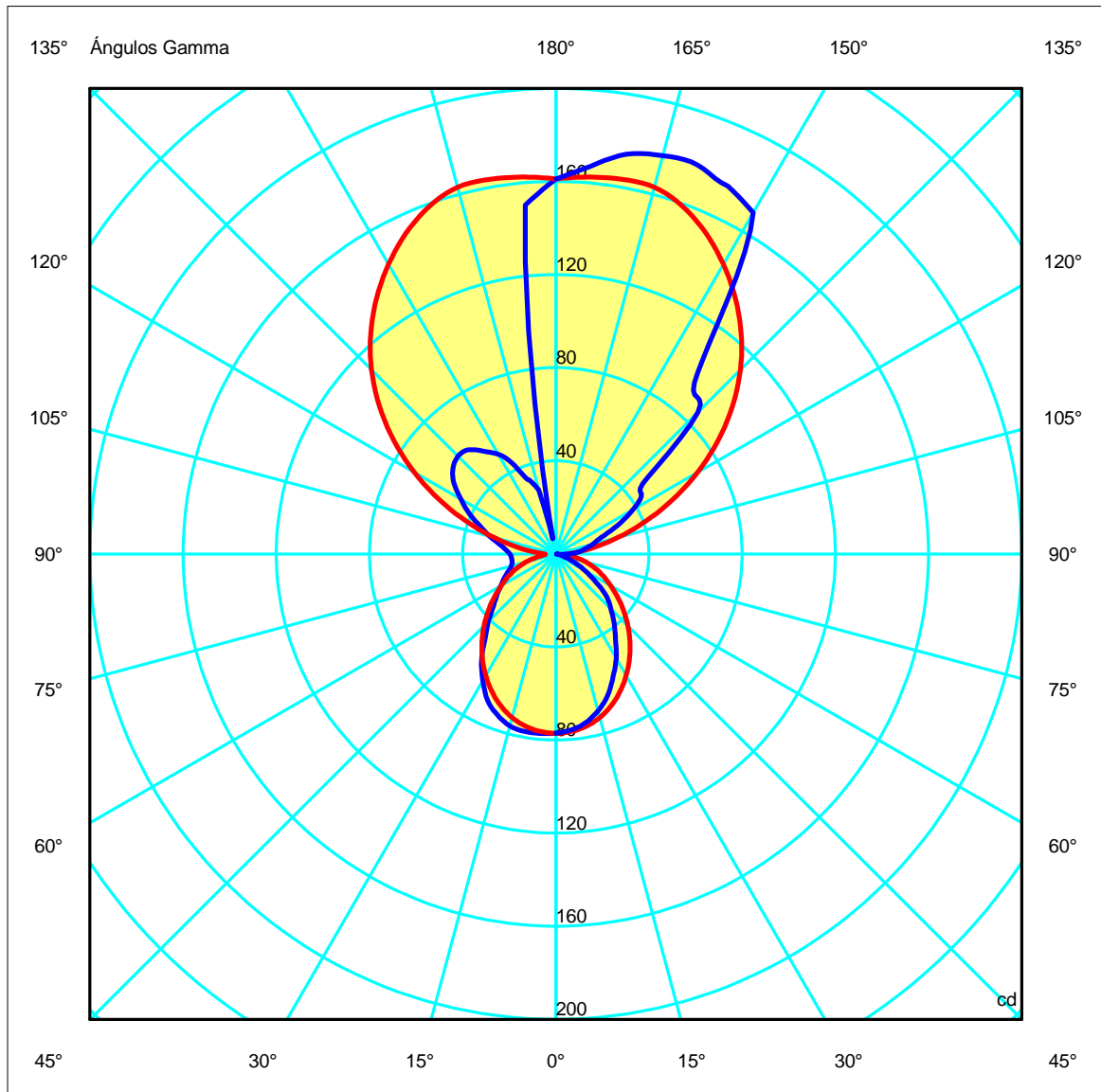
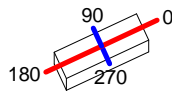
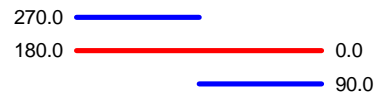
Measurment.

Code CL116A17F237G
 Name Applique FLAT 8 leds 10W

Luminaire Flux	533.90 lm	Luminaire Power	10.12 W	Efficacy	52.76 lm/W	Efficiency	100.00%
Lamps Flux	533.90 lm	Maximum value	177.86 cd	Position	C=90.00 G=160.00	CG	Sym. on planes 270-90

80mm x 250mm

Semiplanos C



Luminaire

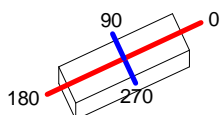
Code 05-5093-81-B9U
 Name Aplique FLAT 8 leds 10W

Measur.

Code CL116A17F237G
 Name Aplique FLAT 8 leds 10W

Luminaire Flux	533.90 lm	Luminaire Power	10.12 W	Efficacy	52.76 lm/W	Efficiency	100.00%
Lamps Flux	533.90 lm	Maximum value	177.86 cd	Position	C=90.00 G=160.00	CG	Sym. on planes 270-90

80mm x 250mm



Luminaire

Code 05-5093-81-B9U
Name Aplique FLAT 8 leds 10W

Measurment

Code CL116A17F237G
Name Aplique FLAT 8 leds 10W

Luminaire Flux	533.90 lm	Luminaire Power	10.12 W	Efficacy	52.76 lm/W	Efficiency	100.00%
Lamps Flux	533.90 lm	Maximum value	177.86 cd	Position	C=90.00 G=160.00	CG Sym. on planes 270-90	

Flujo Total=533.90 Flujo Luminaria=533.90

RI	0.60	0.80	1.00	1.25	1.50	2.00	2.50	3.00	4.00	5.00	10.00	20.00
DRR	0.32	0.39	0.46	0.52	0.58	0.65	0.71	0.75	0.80	0.83	0.90	0.94
RC	5	5	5	5	5	5	6	6	6	6	6	7

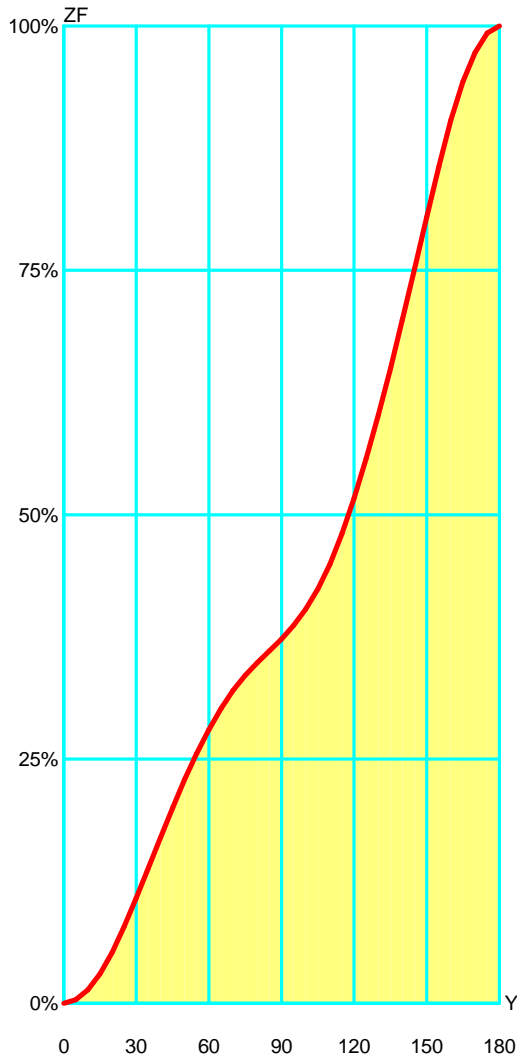
Flujo Zonal por 1000 Lúmenes

Y°	10	20	30	40	50	60	70	80	90	100	110	120	130	140	150	160	170	180
ZF(Y)	14	52	108	170	229	280	320	349	373	403	449	517	602	700	805	903	973	1000

Códigos de Flujo C.I.E.

48 75 90 37 100

C.I.E.	5/5/5/5/5/6/6/6/6/7	LOR	100.00000 %
D DIN 5040	D32	ULOR	62.73427 %
F UTE	0.37 E + 0.63 T	DLOR	37.26573 %
B NBN	BZ 4 / 0.8 / BZ 5	UFF	62.73427 %
RN	62.73427 %	DFF	37.26573 %
BLF	1.0	FFR	168.34303 %



Gamma °	Flujo Zonal			
	Flujo	Suma lm	Flujo [%]	Suma [%]
0°	0.00	0.00	0.00%	0.00 %
5°	3.44	3.44	0.34 %	0.34 %
10°	10.18	13.62	1.02 %	1.36 %
15°	16.48	30.10	1.65 %	3.01 %
20°	21.98	52.08	2.20 %	5.21 %
25°	26.32	78.40	2.63 %	7.84 %
30°	29.29	107.69	2.93 %	10.77 %
35°	30.84	138.53	3.08 %	13.85 %
40°	31.11	169.64	3.11 %	16.96 %
45°	30.39	200.03	3.04 %	20.00 %
50°	28.94	228.97	2.89 %	22.90 %
55°	26.87	255.84	2.69 %	25.58 %
60°	24.32	280.16	2.43 %	28.02 %
65°	21.45	301.61	2.15 %	30.16 %
70°	18.36	319.97	1.84 %	32.00 %
75°	15.43	335.40	1.54 %	33.54 %
80°	13.14	348.54	1.31 %	34.85 %
85°	11.94	360.48	1.19 %	36.05 %
90°	12.18	372.66	1.22 %	37.27 %
95°	13.82	386.48	1.38 %	38.65 %
100°	16.68	403.15	1.67 %	40.32 %
105°	20.62	423.78	2.06 %	42.38 %
110°	25.51	449.29	2.55 %	44.93 %
115°	31.00	480.29	3.10 %	48.03 %
120°	36.29	516.58	3.63 %	51.66 %
125°	40.85	557.43	4.08 %	55.74 %
130°	44.53	601.96	4.45 %	60.20 %
135°	47.69	649.65	4.77 %	64.96 %
140°	49.98	699.63	5.00 %	69.96 %
145°	51.84	751.47	5.18 %	75.15 %
150°	53.05	804.52	5.31 %	80.45 %
155°	51.59	856.11	5.16 %	85.61 %
160°	47.36	903.47	4.74 %	90.35 %
165°	39.66	943.13	3.97 %	94.31 %
170°	29.72	972.85	2.97 %	97.28 %
175°	19.95	992.79	1.99 %	99.28 %
180°	7.21	1000.00	0.72 %	100.00 %

Luminaire

Code 05-5093-81-B9U
Name Aplique FLAT 8 leds 10W

Measurerm.

Code CL116A17F237G
Name Aplique FLAT 8 leds 10W

Luminaire Flux	533.90 lm	Luminaire Power	10.12 W	Efficacy	52.76 lm/W	Efficiency	100.00%
Lamps Flux	533.90 lm	Maximum value	177.86 cd	Position	C=90.00 G=160.00	CG	Sym. on planes 270-90

Utilizations CIE

Mounting	Direct	Normalization										Normalised										Suspension Ratid/3										Standard CIE Settings																																																																																																																																																																																																																																																																																							
Ceiling																																																																																																																																																																																																																																																																																																																							
K	8873	8773	8871	8771	7773	7771	7753	7553	7751	7551	7731	7331	7711	7111	5551	5531	5331	5511	5111	3331	3311	1111	0000	0.60	635	571	602	543	543	518	493	419	477	407	450	339	430	293	380	363	321	350	279	304	295	255	235	0.80	700	642	647	597	610	570	554	485	527	463	496	394	472	345	433	413	373	397	329	354	343	301	279	1.00	744	691	674	631	658	604	599	535	561	503	528	435	503	386	472	450	412	433	369	392	380	338	314	1.25	782	736	694	657	701	631	643	583	590	539	557	474	532	426	507	485	450	467	407	429	416	375	349	1.50	810	769	705	674	733	649	676	621	610	565	579	504	553	457	533	511	480	493	438	458	444	405	376	2.00	846	813	717	694	776	670	723	677	636	600	608	546	584	502	569	548	521	530	483	499	486	449	418	2.50	870	842	723	704	804	682	756	715	652	622	626	574	604	534	592	573	550	556	515	528	516	480	448	3.00	886	862	725	710	823	690	780	744	663	637	640	594	619	557	608	591	570	575	538	549	537	504	471	4.00	907	888	728	716	850	699	813	783	677	657	657	621	639	589	630	615	599	601	571	578	568	538	502	5.00	920	904	729	720	866	703	834	809	685	669	668	638	652	611	643	630	617	618	593	597	587	560	523	10.00	946	938	729	724	901	712	881	868	701	693	691	675	681	658	672	663	656	656	641	638	632	610	570	20.00	960	956	727	724	918	714	908	900	708	704	703	694	697	685	686	681	677	677	669	661	657	639	597

Wall

K	8873	8773	8871	8771	7773	7771	7753	7553	7751	7551	7731	7331	7711	7111	5551	5531	5331	5511	5111	3331	3311	1111	0000	0.60	358	323	315	286	304	270	240	206	218	187	183	140	157	110	172	146	130	127	103	121	105	90	77	0.80	418	384	359	330	358	309	291	254	258	226	221	175	194	141	203	177	159	156	129	145	129	108	91	1.00	462	429	387	361	397	336	331	293	287	256	251	204	223	167	226	200	182	179	150	163	147	121	101	1.25	503	471	412	388	434	360	370	333	315	285	279	233	251	195	249	223	205	203	173	180	165	135	111	1.50	534	504	429	408	462	378	401	365	335	307	302	257	274	219	266	242	224	222	192	195	180	145	119	2.00	575	549	449	432	500	399	445	412	362	338	332	291	306	254	289	267	251	248	220	214	200	160	129	2.50	602	580	462	448	526	412	477	446	381	359	353	316	330	281	305	285	270	268	242	228	216	170	136	3.00	622	602	471	459	545	422	500	472	394	374	369	335	347	303	317	299	285	283	258	239	227	178	142	4.00	652	636	487	477	574	439	536	512	415	399	394	366	375	336	336	321	309	307	286	257	247	193	153	5.00	674	660	498	490	595	451	562	541	431	417	412	388	395	362	351	338	327	325	306	271	262	205	162	10.00	728	720	530	526	649	485	628	616	473	465	462	447	451	430	392	383	377	375	363	311	305	240	191	20.00	767	763	557	554	687	513	676	668	506	501	499	491	492	480	424	419	415	414	406	343	339	269	218
---	------	------	------	------	------	------	------	------	------	------	------	------	------	------	------	------	------	------	------	------	------	------	------	------	-----	-----	-----	-----	-----	-----	-----	-----	-----	-----	-----	-----	-----	-----	-----	-----	-----	-----	-----	-----	-----	----	----	------	-----	-----	-----	-----	-----	-----	-----	-----	-----	-----	-----	-----	-----	-----	-----	-----	-----	-----	-----	-----	-----	-----	----	------	-----	-----	-----	-----	-----	-----	-----	-----	-----	-----	-----	-----	-----	-----	-----	-----	-----	-----	-----	-----	-----	-----	-----	------	-----	-----	-----	-----	-----	-----	-----	-----	-----	-----	-----	-----	-----	-----	-----	-----	-----	-----	-----	-----	-----	-----	-----	------	-----	-----	-----	-----	-----	-----	-----	-----	-----	-----	-----	-----	-----	-----	-----	-----	-----	-----	-----	-----	-----	-----	-----	------	-----	-----	-----	-----	-----	-----	-----	-----	-----	-----	-----	-----	-----	-----	-----	-----	-----	-----	-----	-----	-----	-----	-----	------	-----	-----	-----	-----	-----	-----	-----	-----	-----	-----	-----	-----	-----	-----	-----	-----	-----	-----	-----	-----	-----	-----	-----	------	-----	-----	-----	-----	-----	-----	-----	-----	-----	-----	-----	-----	-----	-----	-----	-----	-----	-----	-----	-----	-----	-----	-----	------	-----	-----	-----	-----	-----	-----	-----	-----	-----	-----	-----	-----	-----	-----	-----	-----	-----	-----	-----	-----	-----	-----	-----	------	-----	-----	-----	-----	-----	-----	-----	-----	-----	-----	-----	-----	-----	-----	-----	-----	-----	-----	-----	-----	-----	-----	-----	-------	-----	-----	-----	-----	-----	-----	-----	-----	-----	-----	-----	-----	-----	-----	-----	-----	-----	-----	-----	-----	-----	-----	-----	-------	-----	-----	-----	-----	-----	-----	-----	-----	-----	-----	-----	-----	-----	-----	-----	-----	-----	-----	-----	-----	-----	-----	-----

Working Pl.

K	8873	8773	8871	8771	7773	7771	7753	7553	7751	7551	7731	7331	7711	7111	5551	5531	5331	5511	5111	3331	3311	1111	0000	0.60	433	396	404	371	373	351	294	260	283	251	238	195	205	159	230	196	181	171	149	168	148	131	118	0.80	530	491	489	454	457	425	375	334	357	320	309	256	272	213	287	252	232	225	195	211	190	164	146	1.00	607	567	554	520	525	484	442	398	418	379	369	311	331	263	335	300	278	272	237	249	227	192	171	1.25	681	642	614	583	591	540	510	465	478	439	429	368	390	317	383	348	325	320	282	286	265	221	196	1.50	738	701	659	630	641	583	564	519	524	486	477	416	438	363	420	387	363	359	320	316	295	243	214	2.00	820	787	722	697	716	643	646	603	592	557	549	491	513	439	477	447	424	421	381	362	343	278	244	2.50	874	845	763	741	766	683	703	663	638	606	599	545	566	495	515	488	466	464	426	394	377	302	264	3.00	914	887	791	773	802	711	745	708	671	642	636	585	605	538	543	519	498	496	460	418	402	320	278	4.00	965	943	828	813	850	747	802	770	714	690	684	641	657	599	580	559	542	540	508	449	436	343	296	5.00	998	979	850	838	881	770	839	811	741	721	716	679	692	641	604	586	571	569	541	470	458	358	308	10.00	1000	1000	898	891	948	818	923	907	802	790	786	764	771	740	657	646	637	635	618	517	509	392	334	20.00	1000	1000	923	920	986	844	972	963	835	829	826	814	818	801	688	681	676	675	665	545	540	413	351
---	------	------	------	------	------	------	------	------	------	------	------	------	------	------	------	------	------	------	------	------	------	------	------	------	-----	-----	-----	-----	-----	-----	-----	-----	-----	-----	-----	-----	-----	-----	-----	-----	-----	-----	-----	-----	-----	-----	-----	------	-----	-----	-----	-----	-----	-----	-----	-----	-----	-----	-----	-----	-----	-----	-----	-----	-----	-----	-----	-----	-----	-----	-----	------	-----	-----	-----	-----	-----	-----	-----	-----	-----	-----	-----	-----	-----	-----	-----	-----	-----	-----	-----	-----	-----	-----	-----	------	-----	-----	-----	-----	-----	-----	-----	-----	-----	-----	-----	-----	-----	-----	-----	-----	-----	-----	-----	-----	-----	-----	-----	------	-----	-----	-----	-----	-----	-----	-----	-----	-----	-----	-----	-----	-----	-----	-----	-----	-----	-----	-----	-----	-----	-----	-----	------	-----	-----	-----	-----	-----	-----	-----	-----	-----	-----	-----	-----	-----	-----	-----	-----	-----	-----	-----	-----	-----	-----	-----	------	-----	-----	-----	-----	-----	-----	-----	-----	-----	-----	-----	-----	-----	-----	-----	-----	-----	-----	-----	-----	-----	-----	-----	------	-----	-----	-----	-----	-----	-----	-----	-----	-----	-----	-----	-----	-----	-----	-----	-----	-----	-----	-----	-----	-----	-----	-----	------	-----	-----	-----	-----	-----	-----	-----	-----	-----	-----	-----	-----	-----	-----	-----	-----	-----	-----	-----	-----	-----	-----	-----	------	-----	-----	-----	-----	-----	-----	-----	-----	-----	-----	-----	-----	-----	-----	-----	-----	-----	-----	-----	-----	-----	-----	-----	-------	------	------	-----	-----	-----	-----	-----	-----	-----	-----	-----	-----	-----	-----	-----	-----	-----	-----	-----	-----	-----	-----	-----	-------	------	------	-----	-----	-----	-----	-----	-----	-----	-----	-----	-----	-----	-----	-----	-----	-----	-----	-----	-----	-----	-----	-----

LM53 SHR C0-C180: 1.166 SHR C90-C270: 1.030 SHR Square: 1.279

Luminaire

Code 05-5093-81-B9U
Name Aplique FLAT 8 leds 10W

Measurement

Code CL116A17F237G
Name Aplique FLAT 8 leds 10W

Luminaire Flux	533.90 lm	Luminaire Power	10.12 W	Efficacy	52.76 lm/W	Efficiency	100.00%
Lamps Flux	533.90 lm	Maximum value	177.86 cd	Position	C=90.00 G=160.00	CG	Sym. on planes 270-90

UGR
S = 0.250

Reflectancies										
Ceiling/Cavity	0.7	0.7	0.5	0.5	0.3	0.7	0.7	0.5	0.5	0.3
Walls	0.5	0.3	0.5	0.3	0.3	0.5	0.3	0.5	0.3	0.3
WorkingPlane	0.2	0.2	0.2	0.2	0.2	0.2	0.2	0.2	0.2	0.2
RoomDimensions	ViewedCrosswise					ViewedEndwise				
x=2H y=2H	7.6	8.3	8.6	9.3	10.6	5.3	6.1	6.3	7.1	8.4
x=2H y=3H	8.8	9.5	9.8	10.5	11.8	6.8	7.5	7.8	8.5	9.8
x=2H y=4H	9.3	9.9	10.4	10.9	12.3	7.6	8.2	8.7	9.2	10.6
x=2H y=6H	9.6	10.2	10.7	11.2	12.6	8.5	9.1	9.6	10.1	11.5
x=2H y=8H	9.7	10.3	10.8	11.3	12.7	9.0	9.5	10.1	10.6	12.0
x=2H y=12H	9.8	10.3	10.8	11.3	12.7	9.5	10.0	10.6	11.1	12.5
x=4H y=2H	7.7	8.3	8.7	9.3	10.7	5.9	6.5	6.9	7.5	8.9
x=4H y=3H	9.1	9.6	10.2	10.7	12.1	7.5	8.0	8.6	9.1	10.5
x=4H y=4H	9.8	10.2	10.8	11.3	12.7	8.5	9.0	9.6	10.0	11.4
x=4H y=6H	10.3	10.7	11.4	11.7	13.2	9.6	10.0	10.7	11.1	12.5
x=4H y=8H	10.4	10.8	11.6	11.9	13.4	10.2	10.5	11.3	11.6	13.1
x=4H y=12H	10.6	10.9	11.7	12.0	13.5	10.8	11.1	11.9	12.2	13.7
x=8H y=4H	9.8	10.2	10.9	11.3	12.7	8.9	9.2	10.0	10.3	11.8
x=8H y=6H	10.5	10.8	11.6	11.9	13.4	10.2	10.5	11.3	11.6	13.1
x=8H y=8H	10.8	11.1	11.9	12.2	13.7	11.0	11.2	12.1	12.3	13.8
x=8H y=12H	11.1	11.3	12.2	12.4	13.9	11.8	12.0	12.9	13.1	14.6
x=12H y=4H	9.8	10.1	10.9	11.2	12.7	8.9	9.2	10.0	10.3	11.8
x=12H y=6H	10.6	10.8	11.7	11.9	13.4	10.3	10.6	11.5	11.7	13.2
x=12H y=8H	10.9	11.2	12.1	12.3	13.8	11.2	11.4	12.3	12.5	14.1

Luminaire

 Code 05-5093-81-B9U
 Name Aplique FLAT 8 leds 10W

Measur.

 Code CL116A17F237G
 Name Aplique FLAT 8 leds 10W

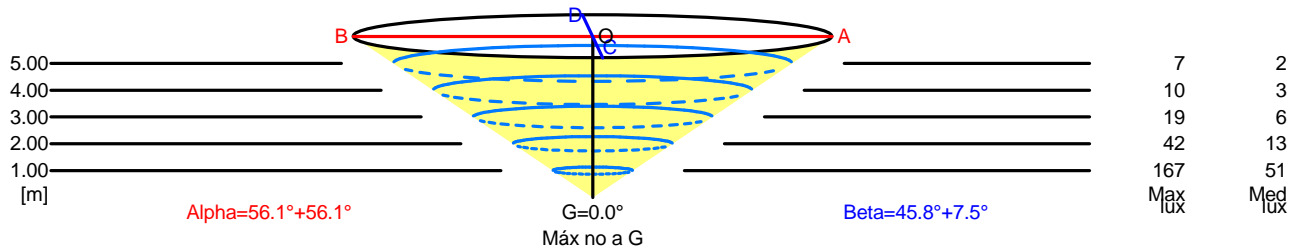
Luminaire Flux	533.90 lm	Luminaire Power	10.12 W	Efficacy	52.76 lm/W	Efficiency	100.00%
Lamps Flux	533.90 lm	Maximum value	177.86 cd	Position	C=90.00 G=160.00	CG	Sym. on planes 270-90

Width at 50.00 % of Max Intensity

H[m]	1.00	2.00	3.00	4.00	5.00	H[m]	1.00	2.00	3.00	4.00	5.00
OA	1.49	2.97	4.46	5.95	7.43	OC	1.03	2.06	3.08	4.11	5.14
OB	1.49	2.97	4.46	5.95	7.43	OD	0.13	0.26	0.39	0.52	0.65

Luminous Intensities [cd]

	0	5	15	25	35	45	55	65	75	85
OA	161.15	162.59	163.17	152.17	134.22	111.97	84.93	55.34	27.84	8.90
OB	161.15	162.59	163.17	152.17	134.22	111.97	84.93	55.34	27.84	8.90
OC	161.15	167.14	177.16	174.50	121.23	86.15	44.81	29.32	16.44	9.66
OD	161.15	150.45	28.57	41.88	53.87	59.44	53.51	41.13	29.50	21.74



5.00	14.86	7	2	
4.00	11.89	10	3	
3.00	8.92	19	6	
2.00	5.95	42	13	
1.00	2.97	167	51	
H[m]	D[m]	Max lux	Med lux	

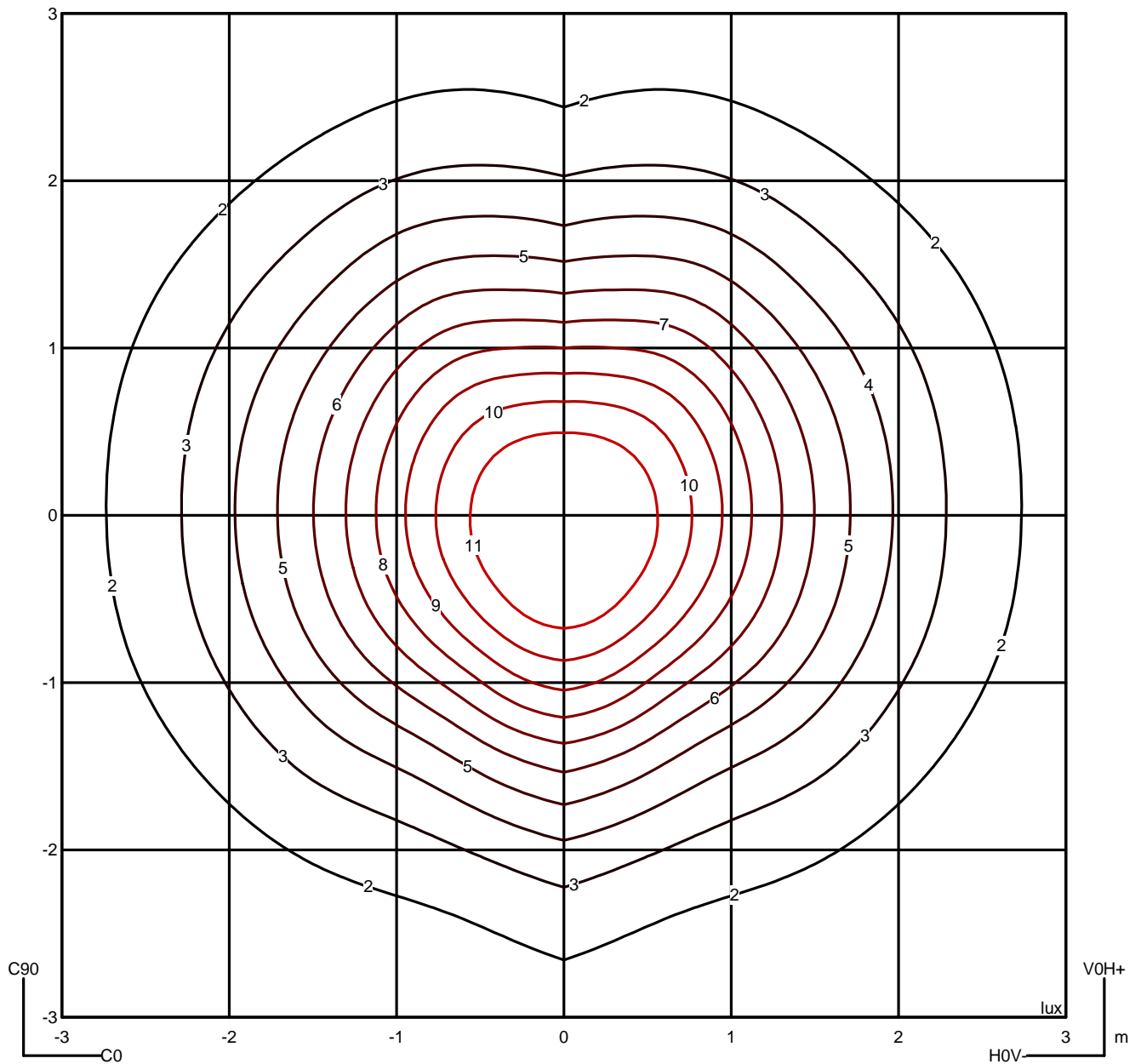
5.00	5.79	7	2	
4.00	4.63	10	3	
3.00	3.48	19	6	
2.00	2.32	42	13	
1.00	1.16	167	51	
H[m]	D[m]	Max lux	Med lux	

Luminaire
 Code 05-5093-81-B9U
 Name Aplique FLAT 8 leds 10W
Measur.
 Code CL116A17F237G
 Name Aplique FLAT 8 leds 10W

Luminaire Flux	533.90 lm	Luminaire Power	10.12 W	Efficacy	52.76 lm/W	Efficiency	100.00%
Lamps Flux	533.90 lm	Maximum value	177.86 cd	Position	C=90.00 G=160.00	CG	Sym. on planes 270-90

Isolux (Floor)

Luminaire position X=0.00m Y=0.00m Z=2.50m



Luminaire

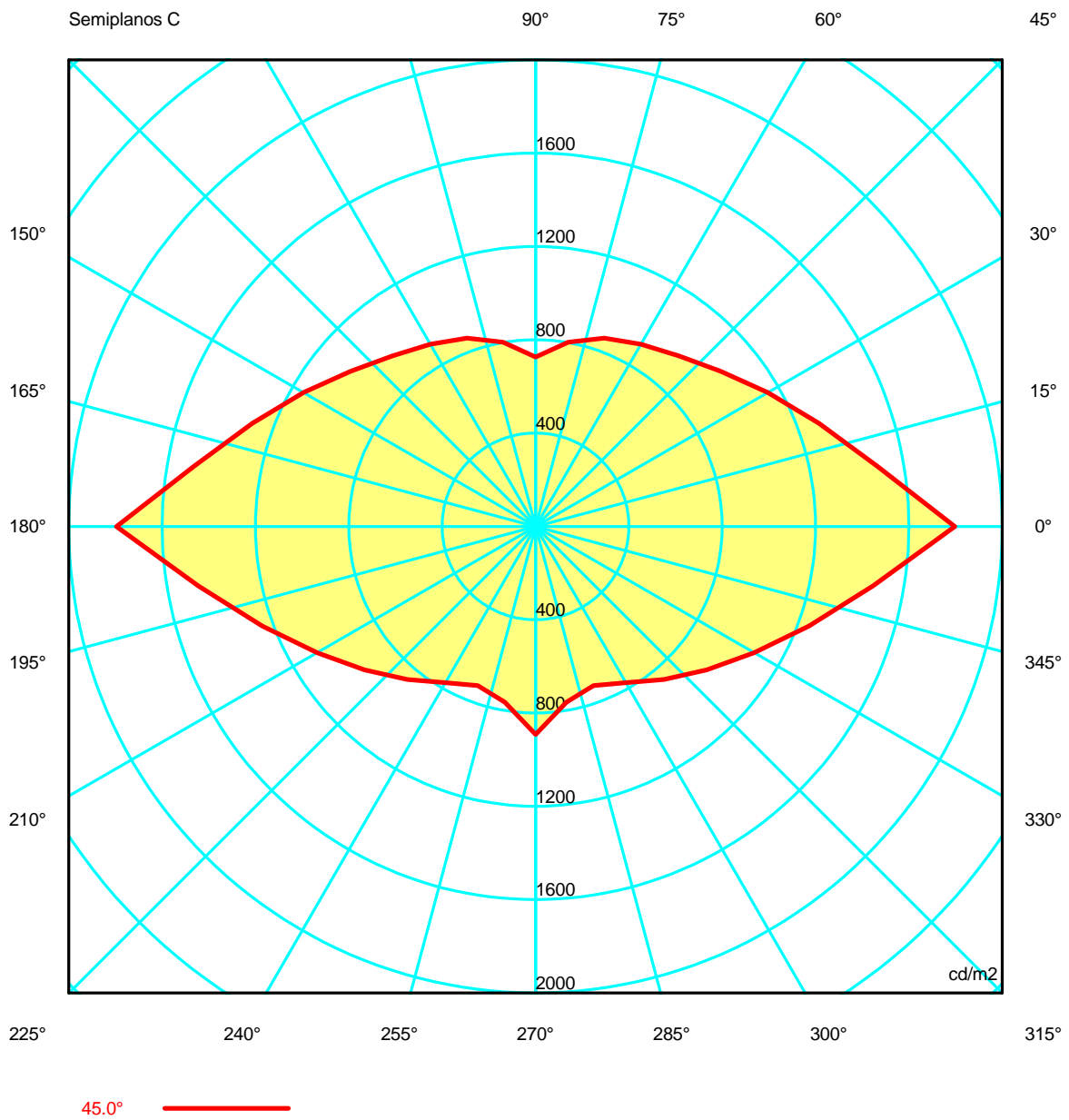
Code 05-5093-81-B9U
 Name Aplique FLAT 8 leds 10W

Measur.

Code CL116A17F237G
 Name Aplique FLAT 8 leds 10W

Luminaire Flux	533.90 lm	Luminaire Power	10.12 W	Efficacy	52.76 lm/W	Efficiency	100.00%
Lamps Flux	533.90 lm	Maximum value	177.86 cd	Position	C=90.00 G=160.00	CG	Sym. on planes 270-90

Luminance



Luminaire

Code 05-5093-81-B9U
Name Applique FLAT 8 leds 10W

Measurerm.

Code CL116A17F237G
Name Applique FLAT 8 leds 10W

Luminaire Flux	533.90 lm	Luminaire Power	10.12 W	Efficacy	52.76 lm/W	Efficiency	100.00%
Lamps Flux	533.90 lm	Maximum value	177.86 cd	Position	C=90.00 G=160.00	CG	Sym. on planes 270-90

Luminance cd/m2 Table 1/3

	C 0.00	C 10.00	C 20.00	C 30.00	C 40.00	C 50.00	C 60.00	C 70.00	C 80.00	C 90.00	C 100.00	C 110.00	C 120.00
G 0.0	3851.07	3851.07	3851.07	3851.07	3851.07	3851.07	3851.07	3851.07	3851.07	3851.07	3851.07	3851.07	3851.07
G 5.0	3614.90	3500.16	3401.16	3318.58	3252.63	3203.54	3171.45	3156.55	3159.33	3179.59	3159.33	3156.55	3171.45
G 10.0	3385.58	3190.98	3031.83	2903.90	2803.67	2728.70	2677.48	2650.01	2649.39	2676.10	2649.39	2650.01	2677.48
G 15.0	3156.74	2909.18	2716.59	2566.58	2450.44	2360.01	2290.68	2243.53	2229.88	2252.31	2229.88	2243.53	2290.68
G 20.0	2924.24	2640.99	2430.64	2274.38	2159.06	2064.77	1981.83	1914.76	1884.08	1894.87	1884.08	1914.76	1981.83
G 25.0	2690.55	2382.91	2163.45	2006.71	1893.88	1805.73	1721.82	1632.34	1575.16	1564.14	1575.16	1632.34	1721.82
G 30.0	2459.10	2137.38	1912.71	1754.48	1644.48	1567.75	1494.18	1397.70	1325.86	1299.25	1325.86	1397.70	1494.18
G 35.0	2232.48	1906.41	1684.05	1525.81	1413.37	1333.33	1277.55	1191.58	1112.09	1057.19	1112.09	1191.58	1277.55
G 40.0	2011.29	1689.86	1479.05	1326.18	1208.54	1134.22	1080.86	1009.20	937.42	880.50	937.42	1009.20	1080.86
G 45.0	1795.73	1487.81	1291.69	1148.44	1035.19	954.45	901.65	859.75	801.76	726.00	801.76	859.75	901.65
G 50.0	1586.78	1296.81	1120.42	991.45	882.93	802.24	753.87	726.85	678.05	599.60	678.05	726.85	753.87
G 55.0	1388.12	1118.90	963.51	853.02	756.80	673.71	620.95	605.48	548.91	431.28	548.91	605.48	620.95
G 60.0	1204.93	958.99	823.19	728.30	643.07	557.11	495.92	482.90	426.01	297.86	426.01	482.90	495.92
G 65.0	1039.56	821.81	699.69	608.30	527.50	439.21	371.22	357.21	305.11	184.18	305.11	357.21	371.22
G 70.0	877.41	699.32	588.01	486.63	403.46	323.83	260.77	233.72	184.52	92.55	184.52	233.72	260.77
G 75.0	696.12	577.03	486.61	375.62	290.89	224.92	177.13	150.50	110.06	43.70	110.06	150.50	177.13
G 80.0	486.48	446.40	401.14	299.56	219.60	168.58	135.98	106.87	66.46	11.55	66.46	106.87	135.98
G 85.0	322.69	342.26	345.40	272.70	205.36	163.46	138.18	109.66	70.17	19.85	70.17	109.66	138.18
G 90.0	337.31	323.62	334.62	294.40	239.26	197.86	170.85	144.38	124.21	112.50	124.21	144.38	170.85

Luminaire

Code 05-5093-81-B9U
Name Aplique FLAT 8 leds 10W

Measurerm.

Code CL116A17F237G
Name Aplique FLAT 8 leds 10W

Luminaire Flux	533.90 lm	Luminaire Power	10.12 W	Efficacy	52.76 lm/W	Efficiency	100.00%
Lamps Flux	533.90 lm	Maximum value	177.86 cd	Position	C=90.00 G=160.00	CG	Sym. on planes 270-90

Luminance cd/m2 Table 2/3

	C 130.00	C 140.00	C 150.00	C 160.00	C 170.00	C 180.00	C 190.00	C 200.00	C 210.00	C 220.00	C 230.00	C 240.00	C 250.00
G 0.0	3851.07	3851.07	3851.07	3851.07	3851.07	3851.07	3851.07	3851.07	3851.07	3851.07	3851.07	3851.07	3851.07
G 5.0	3203.54	3252.63	3318.58	3401.16	3500.16	3614.90	3510.62	3421.57	3348.54	3291.78	3251.35	3227.12	3218.77
G 10.0	2728.70	2803.67	2903.90	3031.83	3190.98	3385.58	3202.14	3053.78	2937.63	2851.83	2795.27	2766.33	2762.31
G 15.0	2360.01	2450.44	2566.58	2716.59	2909.18	3156.74	2912.85	2721.74	2574.81	2471.16	2409.39	2385.78	2393.58
G 20.0	2064.77	2159.06	2274.38	2430.64	2640.99	2924.24	2635.44	2414.73	2245.59	2128.19	2055.23	2026.90	2045.47
G 25.0	1805.73	1893.88	2006.71	2163.45	2382.91	2690.55	2371.74	2136.08	1956.53	1819.85	1724.03	1685.79	1721.85
G 30.0	1567.75	1644.48	1754.48	1912.71	2137.38	2459.10	2123.26	1885.16	1704.09	1553.73	1435.99	1376.72	1402.54
G 35.0	1333.33	1413.37	1525.81	1684.05	1906.41	2232.48	1892.16	1655.47	1477.36	1331.86	1200.85	1114.54	1124.33
G 40.0	1134.22	1208.54	1326.18	1479.05	1689.86	2011.29	1675.14	1443.08	1269.67	1137.51	1014.07	915.11	890.03
G 45.0	954.45	1035.19	1148.44	1291.69	1487.81	1795.73	1468.54	1247.56	1081.09	956.78	855.61	772.71	725.16
G 50.0	802.24	882.93	991.45	1120.42	1296.81	1586.78	1272.77	1068.10	913.09	795.77	721.35	667.90	612.92
G 55.0	673.71	756.80	853.02	963.51	1118.90	1388.12	1091.31	906.76	770.10	666.96	608.84	572.39	527.17
G 60.0	557.11	643.07	728.30	823.19	958.99	1204.93	928.95	766.02	652.72	568.60	519.41	492.33	469.66
G 65.0	439.21	527.50	608.30	699.69	821.81	1039.56	782.66	643.93	556.62	495.90	455.84	431.18	420.99
G 70.0	323.83	403.46	486.63	588.01	699.32	877.41	650.19	542.58	477.53	440.25	413.49	396.67	392.89
G 75.0	224.92	290.89	375.62	486.61	577.03	696.12	521.97	458.97	419.57	402.45	393.83	385.73	378.86
G 80.0	168.58	219.60	299.56	401.14	446.40	486.48	397.53	398.07	391.09	394.03	396.38	393.92	390.97
G 85.0	163.46	205.36	272.70	345.40	342.26	322.69	306.89	365.56	396.02	419.61	427.56	423.29	419.97
G 90.0	197.86	239.26	294.40	334.62	323.62	337.31	296.49	367.24	433.28	474.69	485.61	480.92	480.89

Luminaire

Code 05-5093-81-B9U
Name Aplique FLAT 8 leds 10W

Measur.

Code CL116A17F237G
Name Aplique FLAT 8 leds 10W

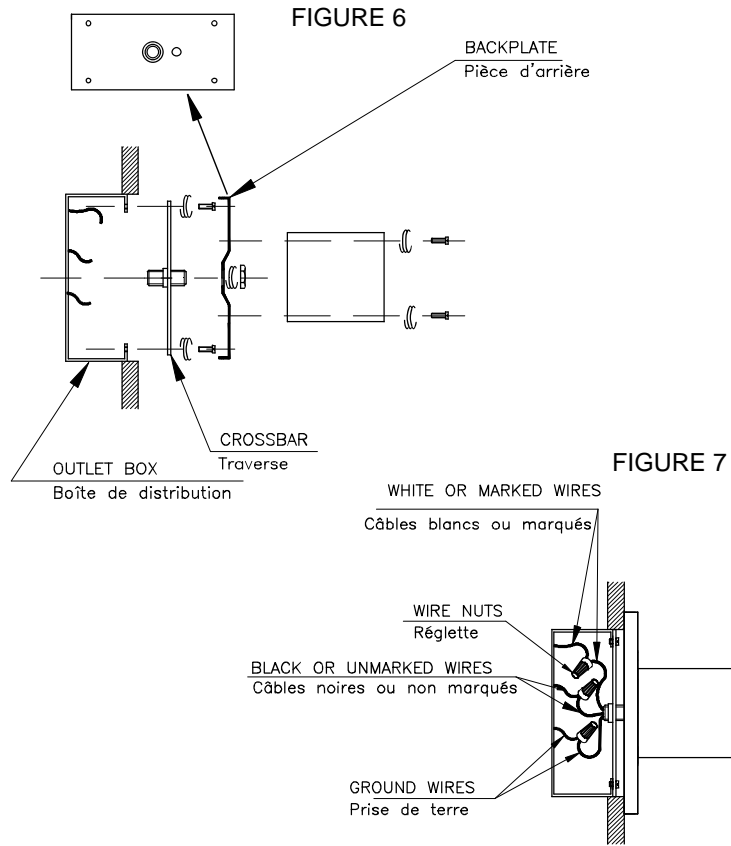
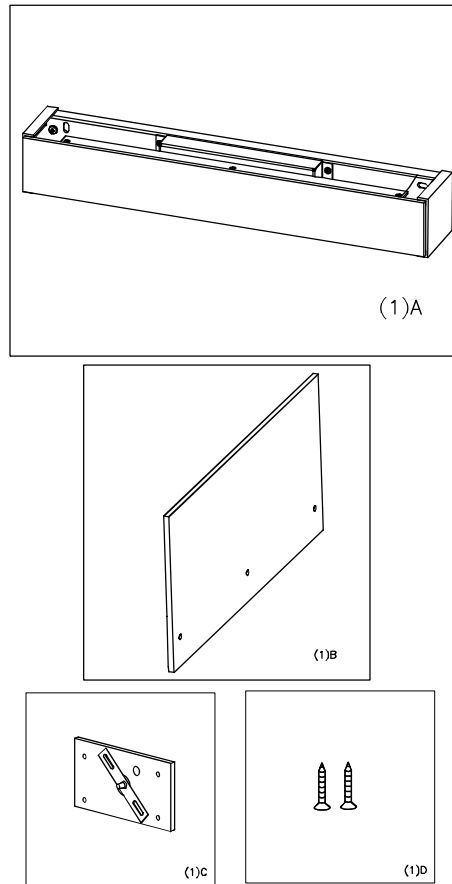
Luminaire Flux	533.90 lm	Luminaire Power	10.12 W	Efficacy	52.76 lm/W	Efficiency	100.00%
Lamps Flux	533.90 lm	Maximum value	177.86 cd	Position	C=90.00 G=160.00	CG	Sym. on planes 270-90

Luminance cd/m2 Table 3/3

	C 260.00	C 270.00	C 280.00	C 290.00	C 300.00	C 310.00	C 320.00	C 330.00	C 340.00	C 350.00
G 0.0	3851.07	3851.07	3851.07	3851.07	3851.07	3851.07	3851.07	3851.07	3851.07	3851.07
G 5.0	3225.72	3248.25	3225.72	3218.77	3227.12	3251.35	3291.78	3348.54	3421.57	3510.62
G 10.0	2778.58	2815.24	2778.58	2762.31	2766.33	2795.27	2851.83	2937.63	3053.78	3202.14
G 15.0	2421.87	2470.01	2421.87	2393.58	2385.78	2409.39	2471.16	2574.81	2721.74	2912.85
G 20.0	2089.29	2151.76	2089.29	2045.47	2026.90	2055.23	2128.19	2245.59	2414.73	2635.44
G 25.0	1789.37	1870.22	1789.37	1721.85	1685.79	1724.03	1819.85	1956.53	2136.08	2371.74
G 30.0	1475.87	1574.82	1475.87	1402.54	1376.72	1435.99	1553.73	1704.09	1885.16	2123.26
G 35.0	1201.71	1320.03	1201.71	1124.33	1114.54	1200.85	1331.86	1477.36	1655.47	1892.16
G 40.0	946.32	1067.21	946.32	890.03	915.11	1014.07	1137.51	1269.67	1443.08	1675.14
G 45.0	764.30	891.95	764.30	725.16	772.71	855.61	956.78	1081.09	1247.56	1468.54
G 50.0	631.58	741.73	631.58	612.92	667.90	721.35	795.77	913.09	1068.10	1272.77
G 55.0	544.00	642.53	544.00	527.17	572.39	608.84	666.96	770.10	906.76	1091.31
G 60.0	488.21	557.97	488.21	469.66	492.33	519.41	568.60	652.72	766.02	928.95
G 65.0	442.16	497.63	442.16	420.99	431.18	455.84	495.90	556.62	643.93	782.66
G 70.0	405.49	442.86	405.49	392.89	396.67	413.49	440.25	477.53	542.58	650.19
G 75.0	384.41	407.35	384.41	378.86	385.73	393.83	402.45	419.57	458.97	521.97
G 80.0	391.46	399.48	391.46	390.97	393.92	396.38	394.03	391.09	398.07	397.53
G 85.0	415.29	411.43	415.29	419.97	423.29	427.56	419.61	396.02	365.56	306.89
G 90.0	467.41	438.92	467.41	480.89	480.92	485.61	474.69	433.28	367.24	296.49

FIGURE N° 1. UNPACK THE FIXTURE: CHECK THE CONTENTS OF THE BOX. YOU SHOULD RECEIVE:

FIGURE N° 1. DÉBALLER LE PLAFONIER: VÉRIFIER LE CONTENU DU CARTON, VOUS DEVEZ RECEVOIR:

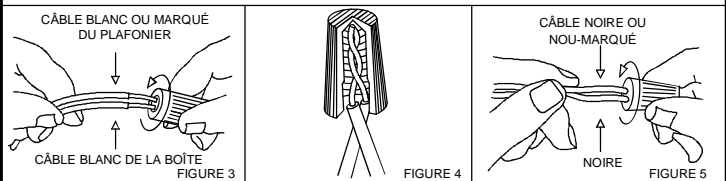
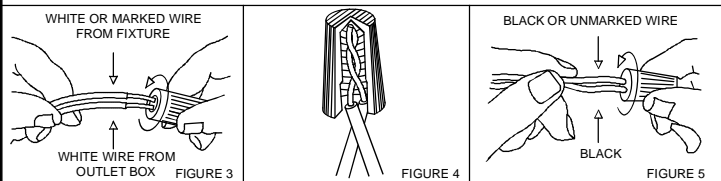


INSTALLATION INSTRUCTIONS FOR HANGING FIXTURES

INSTRUCTIONS D'INSTALLATION POUR PLAFONNIERS

FIGURE 3, 4 AND 5 MOUNTING HARDWARE.
NOTE: TEST THE CONNECTOR BY GENTLY PULLING IT. IF IT PULLS OUT THE CONNECTION, TRY AGAIN TILL YOU HAVE A FIRM CONNECTION. MAKE SURE NO BARE STRANDS OF WIRE STICK OUT FROM UNDER THE CONNECTORS.

FIGURE 3, 4 ET 5 MONTAGE DE L'ÉQUIPE.
IMPORTANT: ESSAYER DE TIRER LE CÂBLE D'ALIMENTATION DOUCEMENT. S'IL SORT DE LA CONNECTION, IL FAUDRAIT ASSURER QUE LA CONNECTION SOIT FERME. S'ASSURER QUE LES FILS DES CÂBLES NE SONT PAS À DÉCOUVERT DU CONNECTEUR.



CAUTION:
"Warning", "This product is to be installed by a qualified electrician only."

ATTENTION:
"Attention", le raccordement électrique sera effectué par un technicien électricien qualifié"

"Suitable for dry locations only"

"Adéquat seulement en lieux secs."

- CAUTION:**
- 1.- Wrong lighting installation can be dangerous for your safety.
 - 2.- Before starting, disconnect the power by turning off the general switch of the electric installation.
 - 3.- Install light bulbs (not provided) that must not exceed markings on the fixture.
 - 4.- To change the bulbs, disconnect the power by turning off the general switch and wait for the bulbs cool down.

- ATTENTION:**
1. Une mauvaise installation peut compromettre votre sécurité.
 2. Déconnecter la tension du réseau d'alimentation avant de réaliser toute opération.
 3. Installer les ampoules (non fournies), ne pas utiliser d'ampoules d'un autre type ou d'une puissance supérieure à celle indiquée sur l'étiquette de la lampe.
 4. Pour changer les ampoules, déconnecter la tension du réseau d'alimentation et laisser refroidir les ampoules.

- INSTALLATION:**
- 1.- Make electrical connections, carefully read the Electrical Connection section.
 - 2.- Assemble lighting onto the outlet box as shown on fig. 6, & 7.

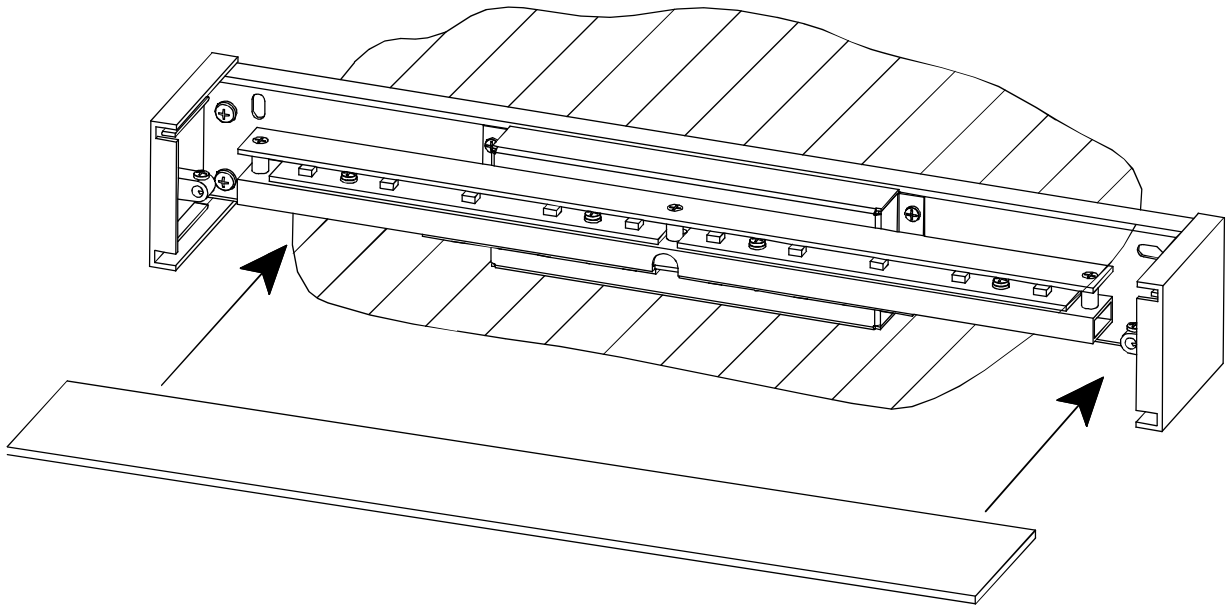
- INSTALLATION:**
1. Connecter au réseau, lire attentivement la section de "Raccordements électriques"
 2. Installer l'appareil à la boîte de distribution comme indiqué dans les dessins 6 et 7.

- ELECTRICAL CONNECTIONS:** (See fig. 3,4 y 5)
- 1.- Connect the white wire from the fixture to the white wire of the electric installation.
 - 2.- Connect the black wire from the fixture to the black wire of the electric installation.
 - 3.- Connect the grounding conductor from the fixture to the grounding wire of the electric installation.
 - 4.- Spread out the electrical wires so that the black ones are on one side of the outlet box and the white ones are on the other side, and carefully introduce them into the outlet box.

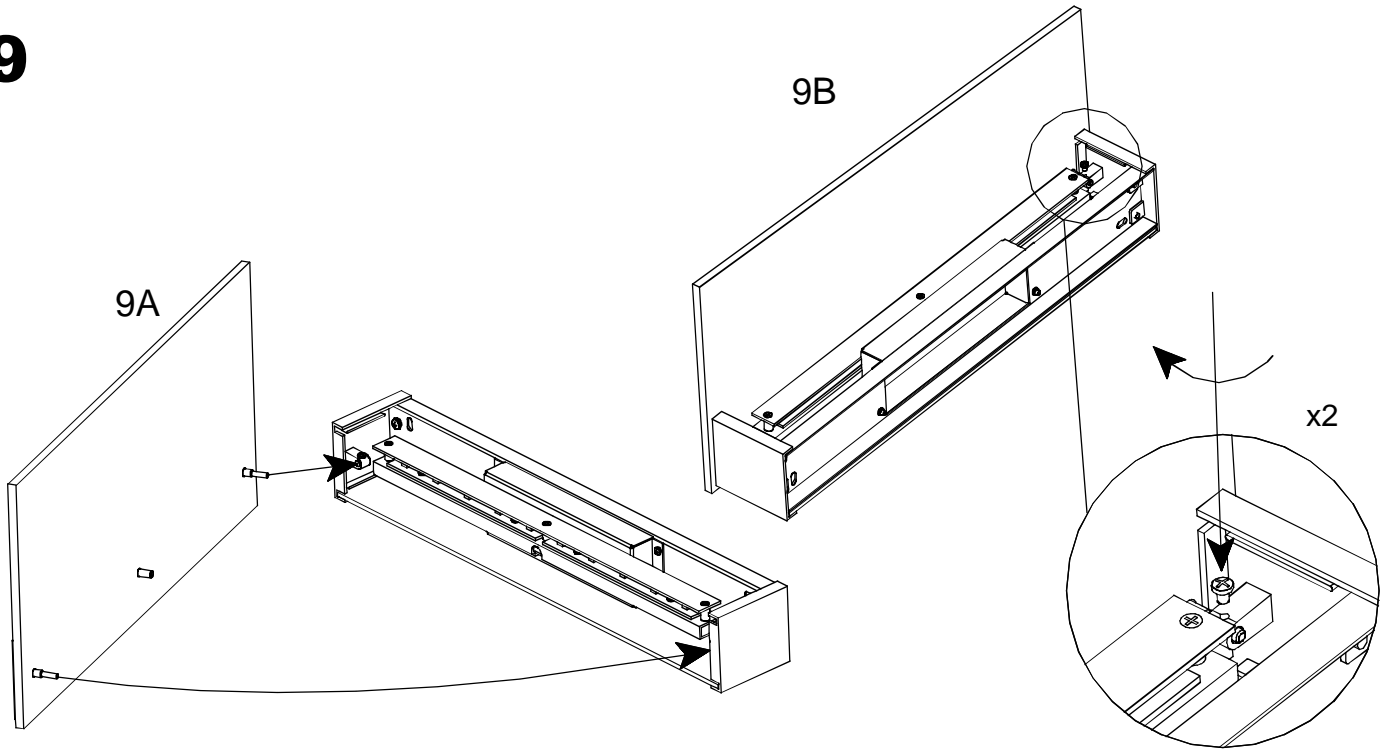
- RACCORDEMENTS ÉLECTRIQUES (dessins 3,4 et 5)**
1. Connecter le câble blanc de l'appareil au câble blanc de l'installation électrique.
 2. Connecter le câble noir de l'appareil au câble noir de l'installation électrique.
 3. Connecter le câble conducteur de prise de terre au câble de prise de terre de l'installation électrique.
 4. Distribuer les câbles pour que tout le câblage noir soit par dehors et le câblage blanc soit par dedans. Ajuster et immobiliser à la boîte sans coincer aucun câble.

REF: 05-5092U, 05-5093U

8



9



10

