

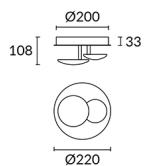
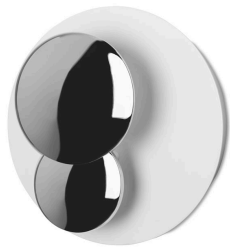
LEDS C4

STRATA

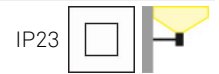
Josep Patsi

05-4921-21-14

Wall fixture STRATA LED 14W 3000K Chrome 721lm



TECHNICAL FEATURES



Power (W) : 14W

Real lumens : 721

Real lm/W : 52

Colour temperature : LED warm-white 3000K

Lens / reflector angle : FLOOD 70°

Structure material : Aluminium, Steel

Structure finish : Chrome

Useful life : 50.000h L70B30

Equipment included : Yes, electronic

Voltage / frequency : 100-240VAC/50-60Hz

Warranty : 2 Years

Max. temperature : 25°C

Energy efficiency : LED A++

LUMINOTECHNIC FEATURES

Light source: LED CREE

CRI: 80

MacAdam steps: 2

Photobiological risk: RG1

LOGISTICS

Net weight (kg): 1.39

Packaged weight (kg): 1.95

Packaging: 270mm x 135mm x 290mm



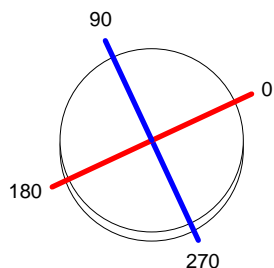
6 Un



Luminaire		Measur.		Lamp	
Code	05-4921-21-14	Code	05-4921-21-14	Code	05-4921-21-14
Name	Aplique STRATA 2xLED 14W	Name	Aplique STRATA 2xLED 14W	Number	1
Line	Eulumdat	Date	10-03-2015	Position	
Efficiency	100.00%	Coordinate system	CG	Total Flux	720.97 lm
Maximum value	132.27 cd	Position	C=270.00 G=120.00	Sym. on planes	270-90
Round Luminaire	Diam.	220 mm	Height	108 mm	
Round Luminous Area	Diam.	220 mm	Height	75 mm	
Horizontal Luminous Area	0.038013 m2	Emitting area on Plane 180°	0.016500 m2		
Emitting area on Plane 0°	0.016500 m2	Emitting area on Plane 270°	0.016500 m2		
Emitting area on Plane 90°	0.016500 m2	Glare area at 76°	0.025206 m2		
Symmetry Type	Sym. on planes 270-90	Maximum Gamma Angle	180		
Measurement Distance	0.00	Measurement Flux	720.97 lm		
Operator	Asselum T2	Source voltage			
Temperature	25.00 °C	Source current			
Humidity	60.00 %	Photocell			
Notes					

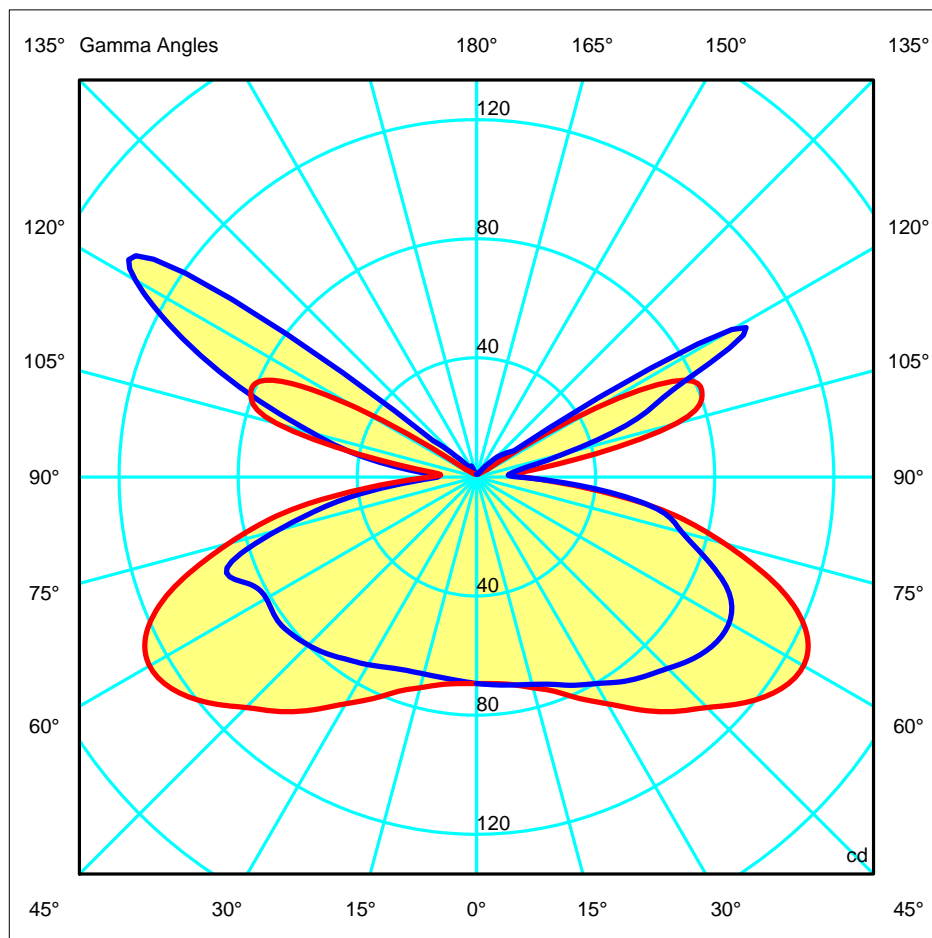
Luminaire Lamps					
Line	Code	Name	Flux [lm]	Pow. [W]	Q.ty
Eulumdat	05-4921-21-14	05-4921-21-14 - 14.00 W	720.97	14.00	1
C.I.E.	25 57 87 72 100	D DIN 5040	B11		
F UTE	0.72 J + 0.28 T	B NBN	BZ 8 / 0.8 / BZ 7 / 2.5 / BZ 6		

Diam=220mm



C Halfplanes
 270.0 ———— 0.0
 180.0 ———— 90.0

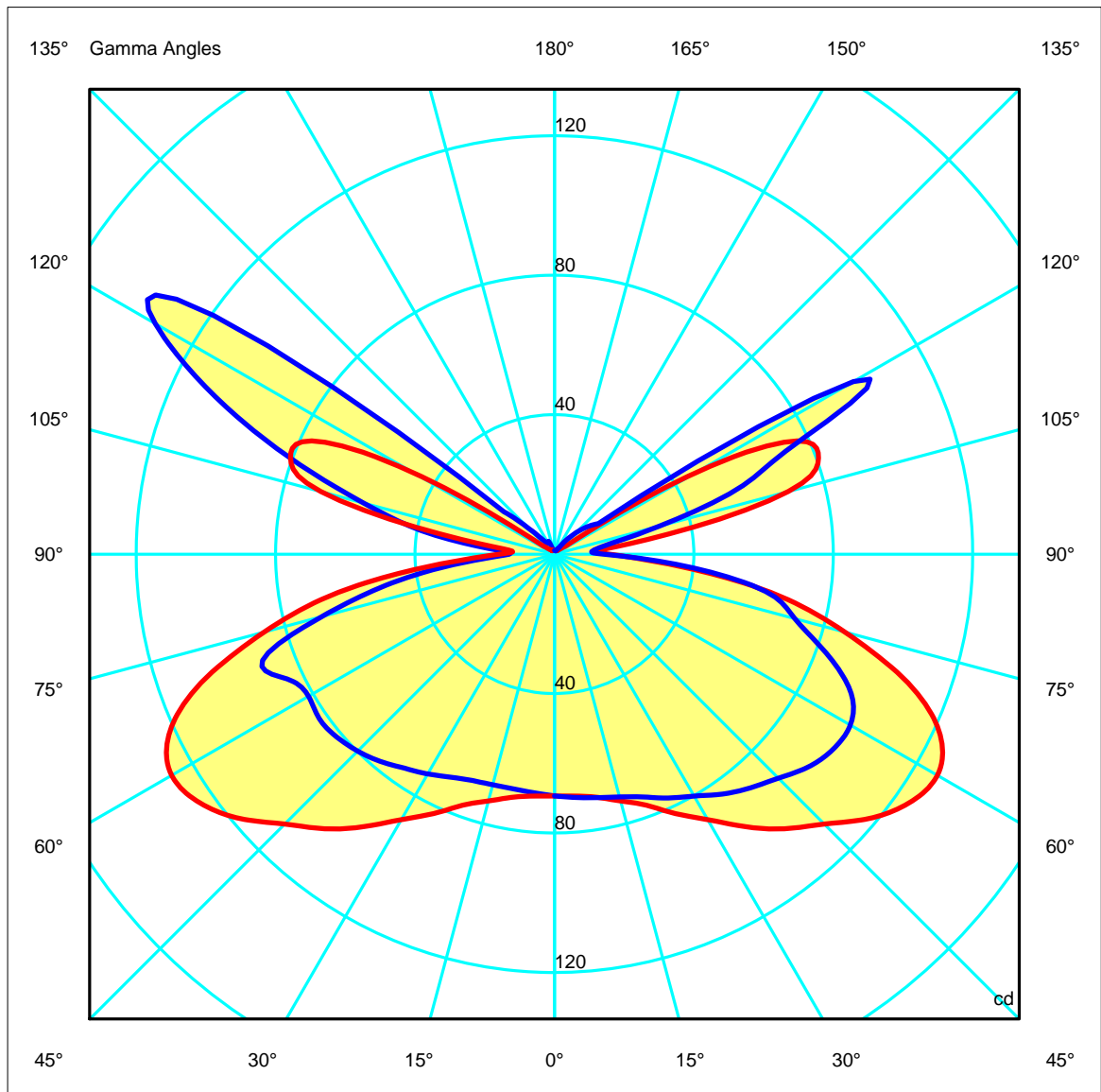
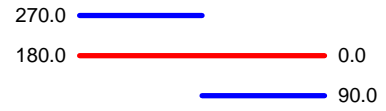
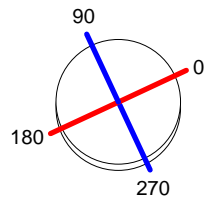
ULOR 27.92 %
 DLOR 72.08 %
 RN 27.92 %



Luminaire		Measur.		Lamp	
Code	05-4921-21-14	Code	05-4921-21-14	Code	05-4921-21-14
Name	Aplique STRATA 2xLED 14W	Name	Aplique STRATA 2xLED 14W	Number	1
Line	Eulumdat	Date	10-03-2015	Position	
Efficiency	100.00%	Coordinate system	CG	Total Flux	720.97 lm

Diam=220mm

C Halfplanes



Luminaire

 Code 05-4921-21-14
 Name Aplique STRATA 2xLED 14W
 Line Eulumdat

Measur.

 Code 05-4921-21-14
 Name Aplique STRATA 2xLED 14W
 Date 10-03-2015

Lamp

 Code 05-4921-21-14
 Number 1
 Position

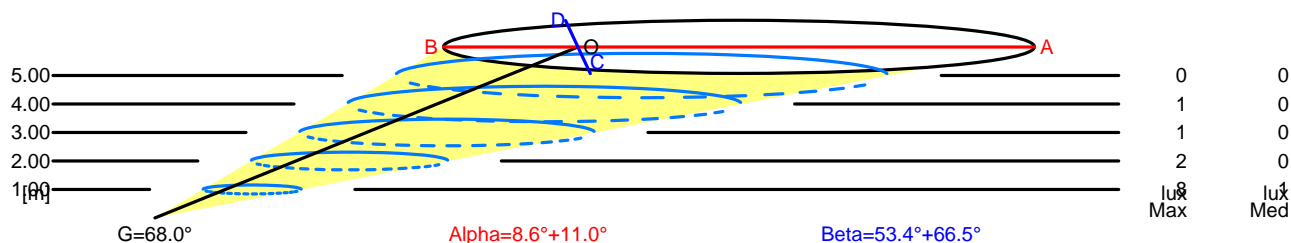
Efficiency	100.00%	Coordinate system	CG	Total Flux	720.97 lm
------------	---------	-------------------	----	------------	-----------

Width at 50.00 % of Max Intensity

H[m]	1.00	2.00	3.00	4.00	5.00	H[m]	1.00	2.00	3.00	4.00	5.00
OA	2.67	5.34	8.01	10.68	13.35	OC	3.60	7.20	10.80	14.40	18.00
OB	0.79	1.57	2.36	3.15	3.93	OD	6.15	12.29	18.44	24.59	30.73

Luminous Intensities [cd]

	0	5	15	25	35	45	55	65	75	85
OA	1.13	1.11	1.11	1.11	1.26	1.86	4.29	76.87	69.47	13.12
OB	1.13	1.11	1.11	1.11	1.26	1.86	4.29	76.87	69.47	13.12
OC	1.06	1.03	1.00	1.28	2.55	9.06	15.29	78.77	31.20	11.00
OD	1.06	1.07	1.07	4.12	3.87	10.09	119.33	107.74	56.69	18.93



5.00	17.29	0	0	
4.00	13.83	1	0	
3.00	10.37	1	0	
2.00	6.91	2	0	
1.00	3.46	8	1	
H[m]	D[m]	Max lux	Med lux	$\alpha=8.6^\circ+11.0^\circ$ $G=68.0$

5.00	48.73	0	0	
4.00	38.98	1	0	
3.00	29.24	1	0	
2.00	19.49	2	0	
1.00	9.75	8	1	
H[m]	D[m]	Max lux	Med lux	$\beta=66.5^\circ+53.4^\circ$ $G=0.0$

Luminaire
 Code 05-4921-21-14
 Name Applique STRATA 2xLED 14W
 Line Eulumdat

Measur.
 Code 05-4921-21-14
 Name Applique STRATA 2xLED 14W
 Date 10-03-2015

Lamp
 Code 05-4921-21-14
 Number 1
 Position

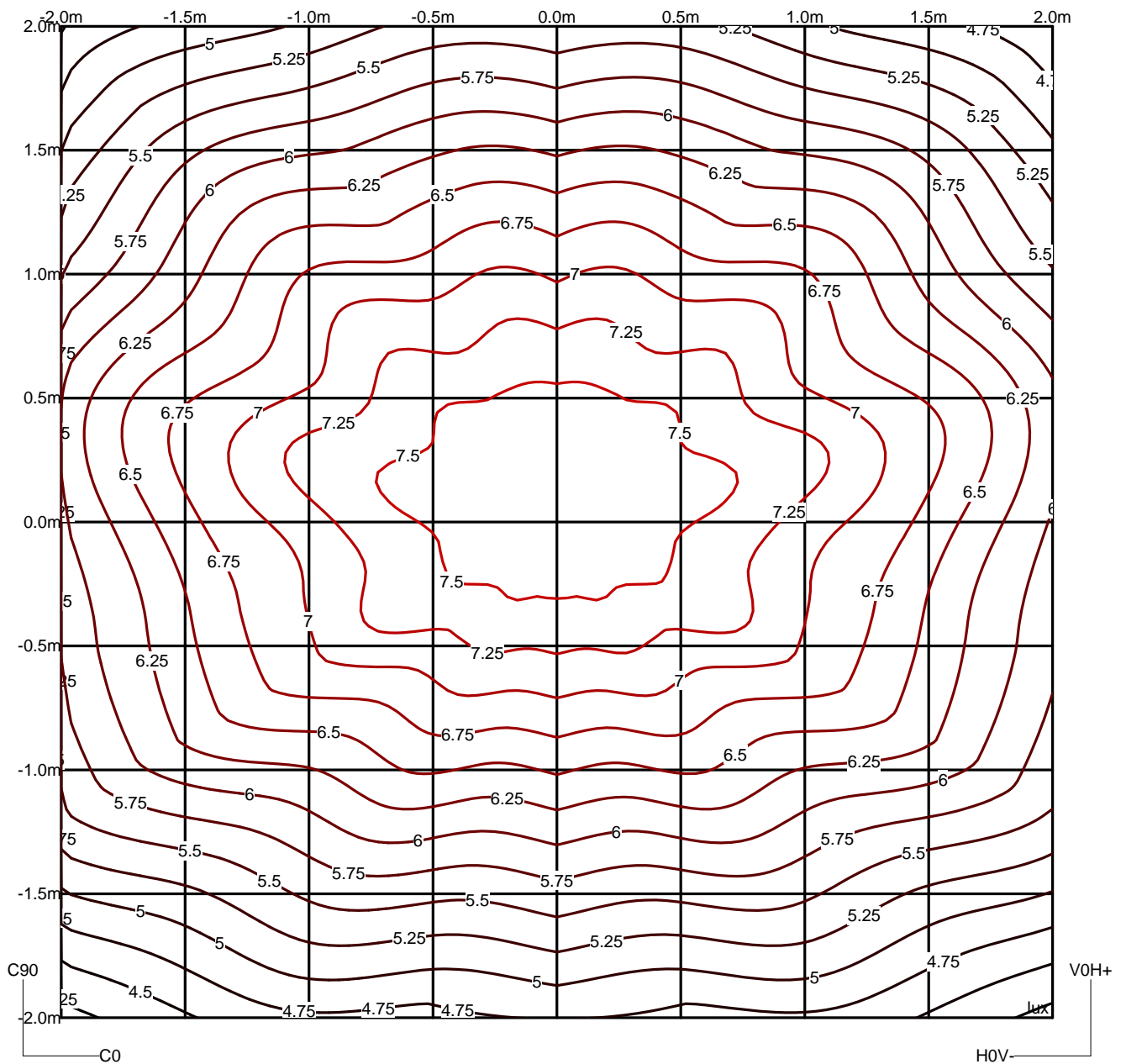
Efficiency 100.00%

Coordinate system CG

Total Flux 720.97 lm

Isolux (Floor)

Luminaire position X=0.00m Y=0.00m Z=3.00m



Luminaire

Code 05-4921-21-14
 Name Aplique STRATA 2xLED 14W
 Line Eulumdat

Measur.

Code 05-4921-21-14
 Name Aplique STRATA 2xLED 14W
 Date 10-03-2015

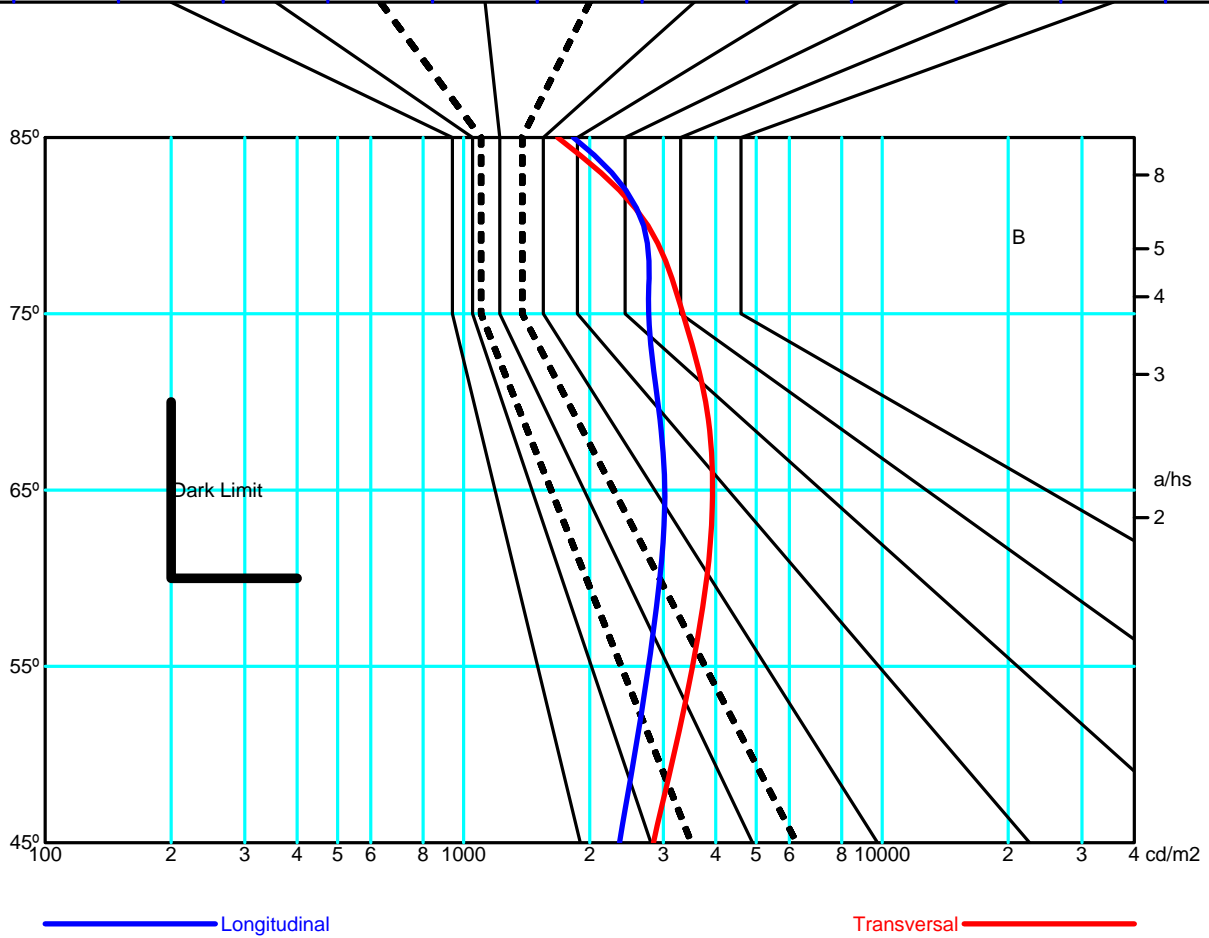
Lamp

Code 05-4921-21-14
 Number 1
 Position

Efficiency 100.00% Coordinate system CG Total Flux 720.97 lm

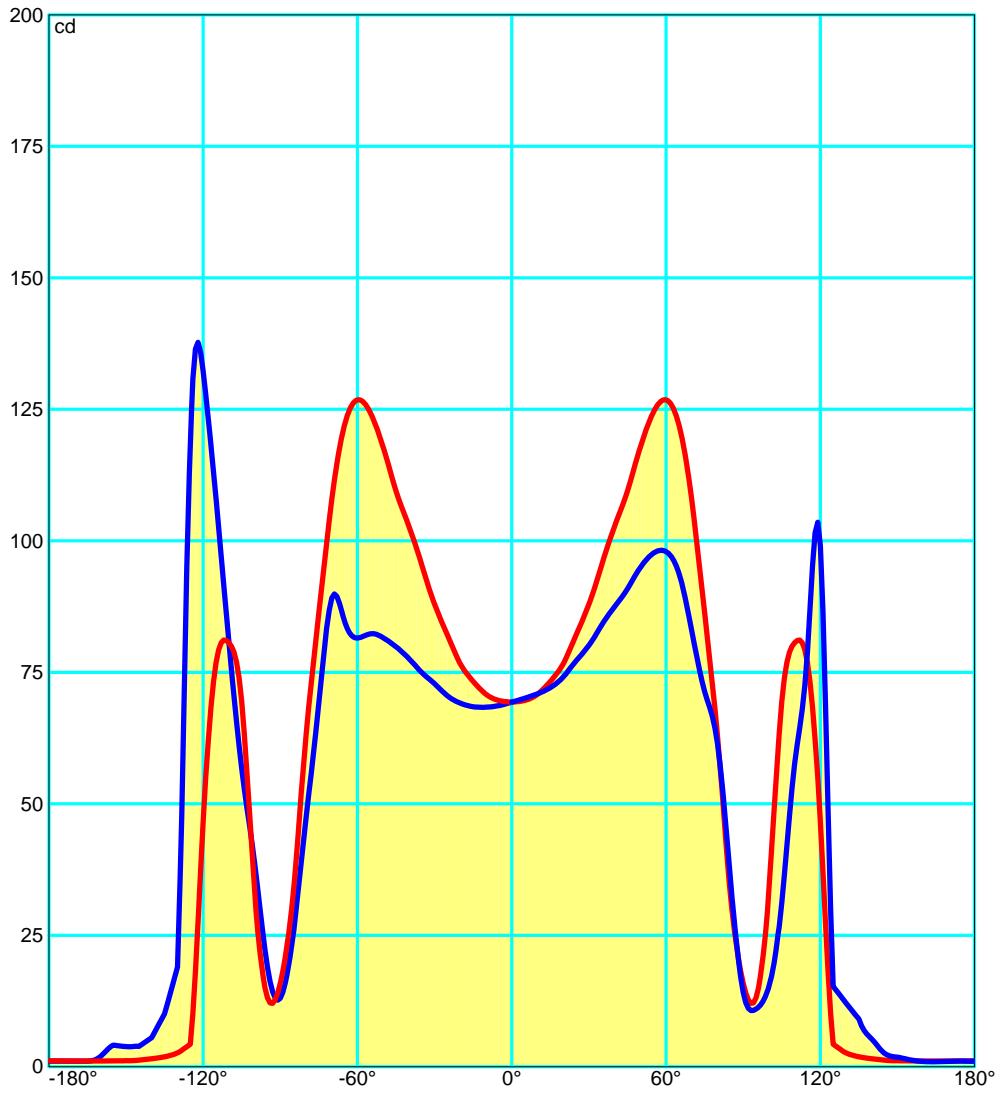
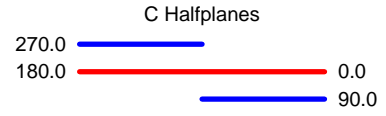
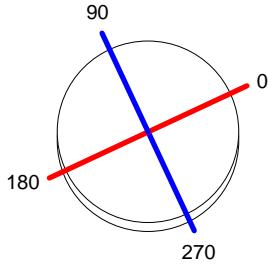
		Average Luminance [cd/m ²]										
		0.0°	45°	50°	55°	60°	65°	70°	75°	80°	85°	
0.0°		2840	3181	3519	3810	3932	3786	3340	2757	1678	---	
90.0°		2357	2562	2762	2943	3023	2910	2768	2691	1829	---	

Flush mounted or transversal view												
		Illumination(lx)										
A	A	2000	1000	750	500		<300				1.15	
B	1		2000	1500	1000	750	500	<300			1.5	
C					2000		1000	500	<300		1.85	
D	2						2000	1000	500	<300	2.2	
E	3							2000	1000	500	<300	2.55



Luminaire		Measur.		Lamp	
Code	05-4921-21-14	Code	05-4921-21-14	Code	05-4921-21-14
Name	Aplique STRATA 2xLED 14W	Name	Aplique STRATA 2xLED 14W	Number	1
Line	Eulumdat	Date	10-03-2015	Position	
Efficiency	100.00%	Coordinate system	CG	Total Flux	720.97 lm

Diam=220mm



Luminaire		Measur.		Lamp	
Code	05-4921-21-14	Code	05-4921-21-14	Code	05-4921-21-14
Name	Aplique STRATA 2xLED 14W	Name	Aplique STRATA 2xLED 14W	Number	1
Line	Eulumdat	Date	10-03-2015	Position	
Efficiency	100.00%	Coordinate system	CG	Total Flux	720.97 lm

UGR
S = 0.250

Reflectancies										
Ceiling/Cavity	0.7	0.7	0.5	0.5	0.3	0.7	0.7	0.5	0.5	0.3
Walls	0.5	0.3	0.5	0.3	0.3	0.5	0.3	0.5	0.3	0.3
WorkingPlane	0.2	0.2	0.2	0.2	0.2	0.2	0.2	0.2	0.2	0.2
RoomDimensions	ViewedCrosswise					ViewedEndwise				
x=2H y=2H	16.1	17.4	16.8	18.0	16.8	14.1	15.3	14.8	16.0	16.8
x=2H y=3H	18.6	19.7	19.3	20.4	19.5	16.9	18.0	17.6	18.7	19.5
x=2H y=4H	19.6	20.6	20.3	21.3	20.7	18.1	19.1	18.8	19.9	20.7
x=2H y=6H	20.3	21.2	21.0	21.9	21.5	18.9	19.9	19.7	20.6	21.5
x=2H y=8H	20.5	21.4	21.2	22.1	21.7	19.2	20.1	19.9	20.8	21.7
x=2H y=12H	20.6	21.5	21.3	22.2	21.8	19.3	20.2	20.1	20.9	21.8
x=4H y=2H	17.0	18.0	17.7	18.8	18.4	15.8	16.8	16.5	17.5	18.4
x=4H y=3H	19.6	20.4	20.3	21.2	20.9	18.4	19.2	19.1	20.0	20.9
x=4H y=4H	20.6	21.4	21.4	22.1	22.0	19.5	20.3	20.3	21.1	22.0
x=4H y=6H	21.4	22.1	22.2	22.9	22.9	20.4	21.1	21.2	21.9	22.9
x=4H y=8H	21.7	22.3	22.4	23.1	23.2	20.8	21.4	21.6	22.2	23.2
x=4H y=12H	21.8	22.4	22.6	23.2	23.3	21.0	21.5	21.8	22.3	23.3
x=8H y=4H	20.9	21.6	21.7	22.4	22.5	20.1	20.7	20.9	21.5	22.5
x=8H y=6H	21.9	22.4	22.7	23.2	23.4	21.1	21.6	21.9	22.4	23.4
x=8H y=8H	22.2	22.7	23.0	23.5	23.8	21.4	21.9	22.3	22.7	23.8
x=8H y=12H	22.4	22.8	23.3	23.7	24.0	21.8	22.1	22.6	23.0	24.0
x=12H y=4H	21.0	21.5	21.8	22.3	22.5	20.1	20.7	20.9	21.5	22.5
x=12H y=6H	21.9	22.4	22.8	23.2	23.5	21.2	21.6	22.0	22.5	23.5
x=12H y=8H	22.3	22.7	23.2	23.5	23.9	21.6	22.0	22.4	22.8	23.9

Luminaire	Measur.	Lamp
Code 05-4921-21-14	Code 05-4921-21-14	Code 05-4921-21-14
Name Applique STRATA 2xLED 14W	Name Applique STRATA 2xLED 14W	Number 1
Line Eulumdat	Date 10-03-2015	Position

Efficiency 100.00%	Coordinate system CG	Total Flux 720.97 lm
--------------------	----------------------	----------------------

Total Flux=720.97 Luminaire Flux=720.97

	0.60	0.80	1.00	1.25	1.50	2.00	2.50	3.00	4.00	5.00	10.00	20.00
RI	0.15	0.22	0.29	0.36	0.42	0.52	0.59	0.64	0.72	0.76	0.87	0.93
DRR	9	9	9	8	8	8	8	8	7	7	7	7
RC												

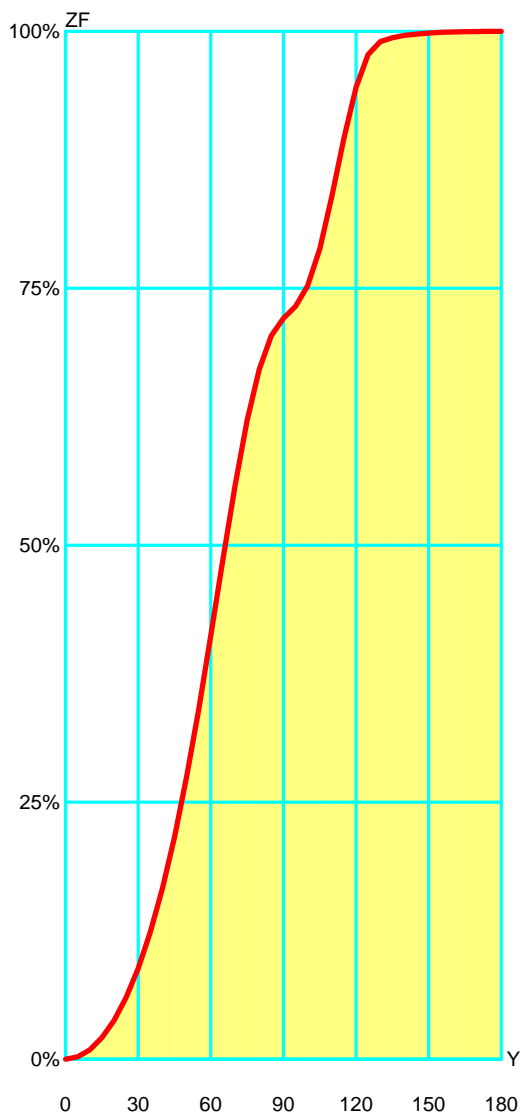
Zonal Flux per 1000 Lumen

	10	20	30	40	50	60	70	80	90	100	110	120	130	140	150	160	170	180
Y°	9	38	88	166	275	412	558	671	721	752	839	946	990	996	998	999	1000	1000
ZF(Y)																		

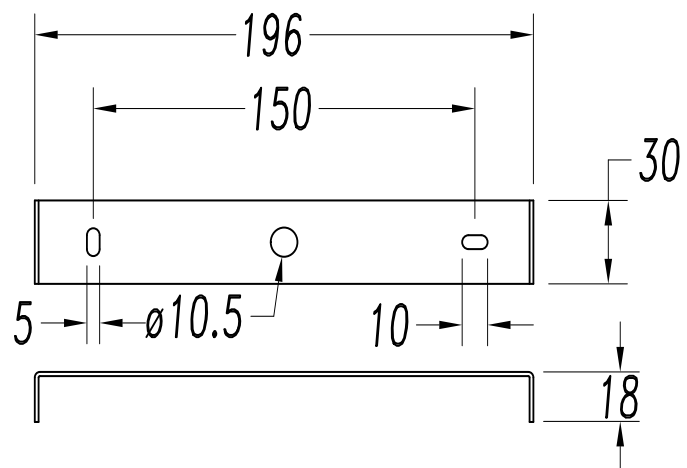
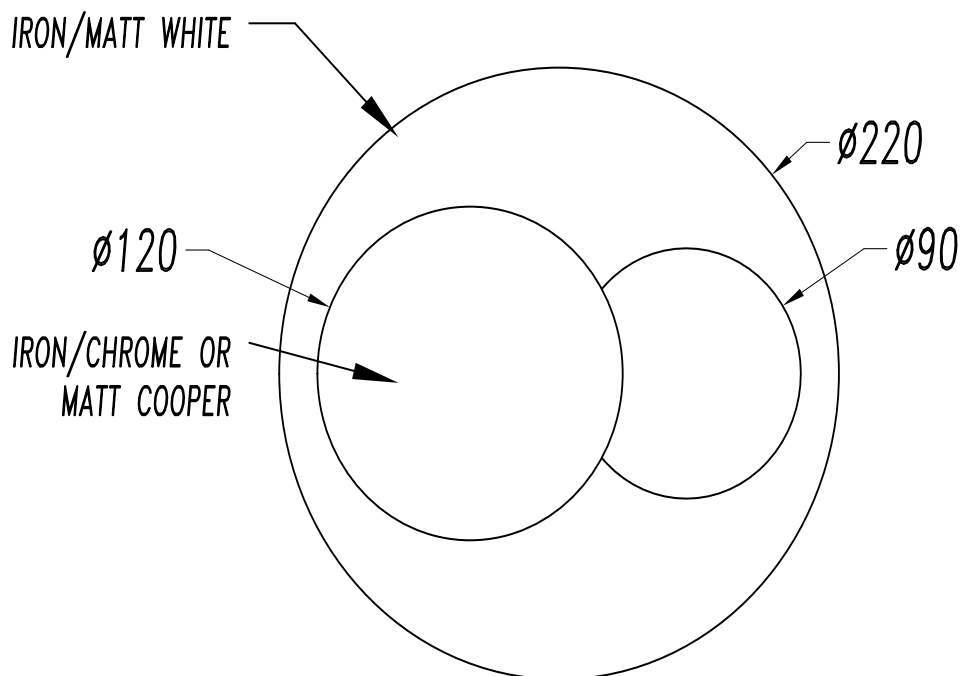
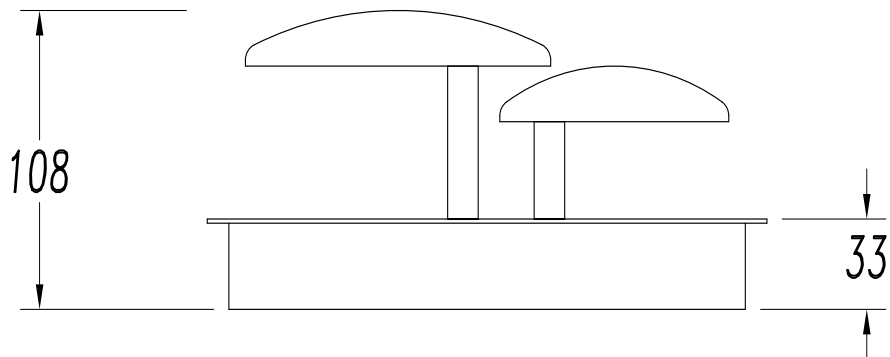
CIE Flux Codes

25 57 87 72 100

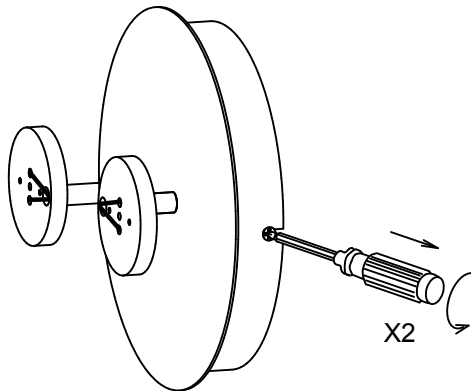
C.I.E.	9/9/9/8/8/8/8/7/7/7/7	LOR	99.99972 %
D DIN 5040	B11	ULOR	27.92087 %
F UTE	0.72 J + 0.28 T	DLOR	72.07886 %
B NBN	BZ 8 / 0.8 / BZ 7 / 2.5 / BZ 6	UFF	27.92094 %
RN	27.92094 %	DFF	72.07906 %
BLF	1.0	FFR	38.73655 %



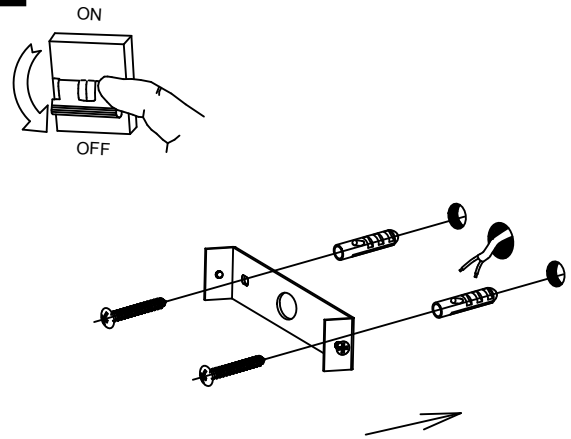
Zonal Flux				
Gamma °	Flux	Sum lm	Flux [%]	Sum [%]
0°	0.00	0.00	0.00%	0.00%
5°	2.30	2.30	0.23%	0.23%
10°	6.94	9.25	0.69%	0.92%
15°	11.71	20.96	1.17%	2.10%
20°	16.77	37.73	1.68%	3.77%
25°	22.28	60.01	2.23%	6.00%
30°	28.40	88.41	2.84%	8.84%
35°	35.16	123.57	3.52%	12.36%
40°	42.50	166.06	4.25%	16.61%
45°	50.27	216.33	5.03%	21.63%
50°	58.28	274.61	5.83%	27.46%
55°	65.83	340.44	6.58%	34.04%
60°	71.64	412.08	7.16%	41.21%
65°	74.13	486.21	7.41%	48.62%
70°	71.77	557.98	7.18%	55.80%
75°	63.36	621.35	6.34%	62.13%
80°	49.77	671.11	4.98%	67.11%
85°	32.69	703.80	3.27%	70.38%
90°	16.99	720.79	1.70%	72.08%
95°	11.64	732.43	1.16%	73.24%
100°	19.96	752.39	2.00%	75.24%
105°	35.82	788.21	3.58%	78.82%
110°	50.88	839.09	5.09%	83.91%
115°	56.83	895.92	5.68%	89.59%
120°	49.63	945.54	4.96%	94.55%
125°	31.75	977.30	3.18%	97.73%
130°	12.63	989.92	1.26%	98.99%
135°	3.84	993.76	0.38%	99.38%
140°	2.24	996.00	0.22%	99.60%
145°	1.34	997.34	0.13%	99.73%
150°	0.91	998.25	0.09%	99.83%
155°	0.68	998.93	0.07%	99.89%
160°	0.47	999.40	0.05%	99.94%
165°	0.28	999.68	0.03%	99.97%
170°	0.18	999.86	0.02%	99.99%
175°	0.11	999.96	0.01%	100.00%
180°	0.04	1000.00	0.00%	100.00%



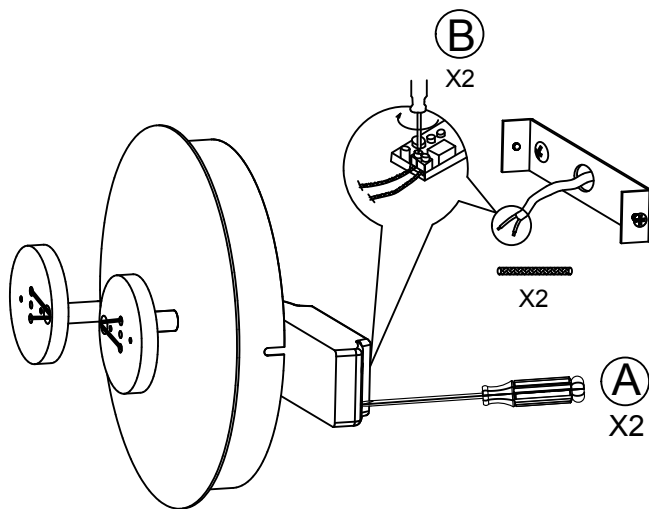
1



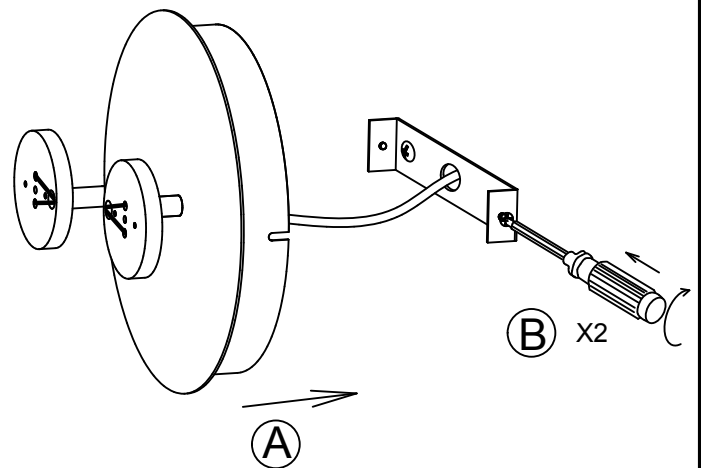
2



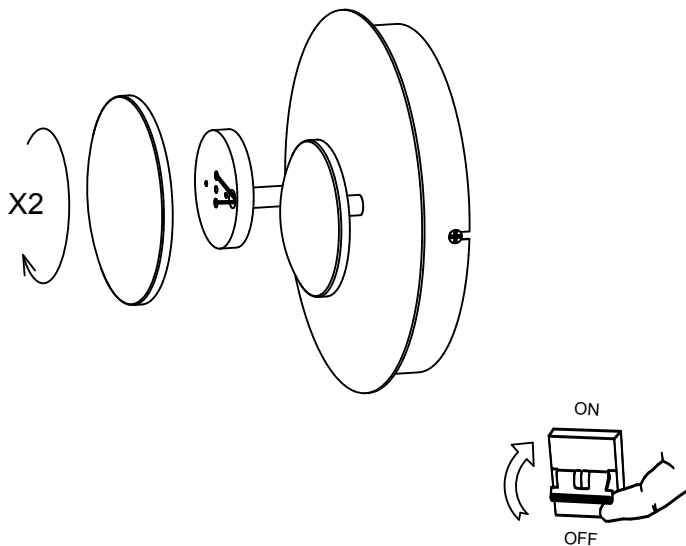
3



4



5



6

