

QUEEN Wall fixture


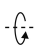


Designer: Carlos Santolaria & Manel Llusca

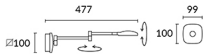


Description

Wall fixture QUEEN LED 6.9W 3000K Patina 282lm

	Finish	Material
Structure	Patina	Aluminium Steel

IP20   355°  ±180°  4



TECHNICAL CHARACTERISTICS

Light source

Light source: LED CREE  
 Light source power (W): 6.9W  
 Luminaire total power (W): 8.5W  
 Color temperature: LED warm-white  
 3000K  
 CRI: 80  
 Photobiological risk: RG1  
 Real Lumen: 282  
 Qty Leds: 1  
 Lm/Real W: 33  
 Life Time: 50.000h L70B30  
 Bin / Grup: 30H  
 MacAdam steps: 2  
 UGR: 51.6

GEAR

Brand: HEP  
 Gear included: Yes, electronic  
 Voltage / Frequency:  
 100-240VAC/50-60Hz  
 Power Factor: 0.43

Luminaire

Warranty: 2 Years

Logistics

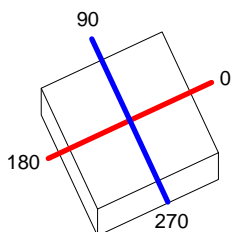
Energy Efficiency: LED A++  
 EAN Code: 8435381421311  
 Net Weight (Kg): 0.96  
 Weight in Kg (packaged): 1.4  
 Packing: 500 x 150 x 170  
 Masterbox: 4

The photograph may not match the reference exactly. Please read the product description to identify the finish.

<b>Luminaire</b>		<b>Measur.</b>		<b>Lamp</b>		
Code	05-4760	Code	05-4760	Code	05-4760	
Name	05-4760	Name	05-4760	Number	1	
Line	Eulumdat	Date	02-04-2015	Position		
Efficiency	100.00%	Coordinate system	CG	Total Flux	281.90 lm	
Maximum value	120.98 cd	Position	C=270.00 G=3.00	Asymmetrical		
Rectangular Luminaire	Length	1 mm	Width	1 mm	Height	1 mm
Rectangular Luminous Area	Length	1 mm	Width	1 mm	Height	0 mm
Horizontal Luminous Area	0.000001 m2	Emitting area on Plane 180°		0.000000 m2		
Emitting area on Plane 0°	0.000000 m2	Emitting area on Plane 270°		0.000000 m2		
Emitting area on Plane 90°	0.000000 m2	Glare area at 76°		0.000000 m2		
Symmetry Type	Asymmetrical	Maximum Gamma Angle		90		
Measurement Distance	0.00	Measurement Flux		281.94 lm		
Operator		Source voltage				
Temperature	25.00 °C	Source current				
Humidity	60.00 %	Photocell				
Notes						

Luminaire Lamps						
Line	Code	Name	Flux [lm]	Pow. [W]	Q.ty	
Eulumdat	05-4760	05-4760 - 8.60 W	281.90	8.60	1	
C.I.E.	53 84 98 100 100	D DIN 5040				A40
F UTE	1.00 D	B NBN				BZ 4

1mm x 1mm



**C Halfplanes**

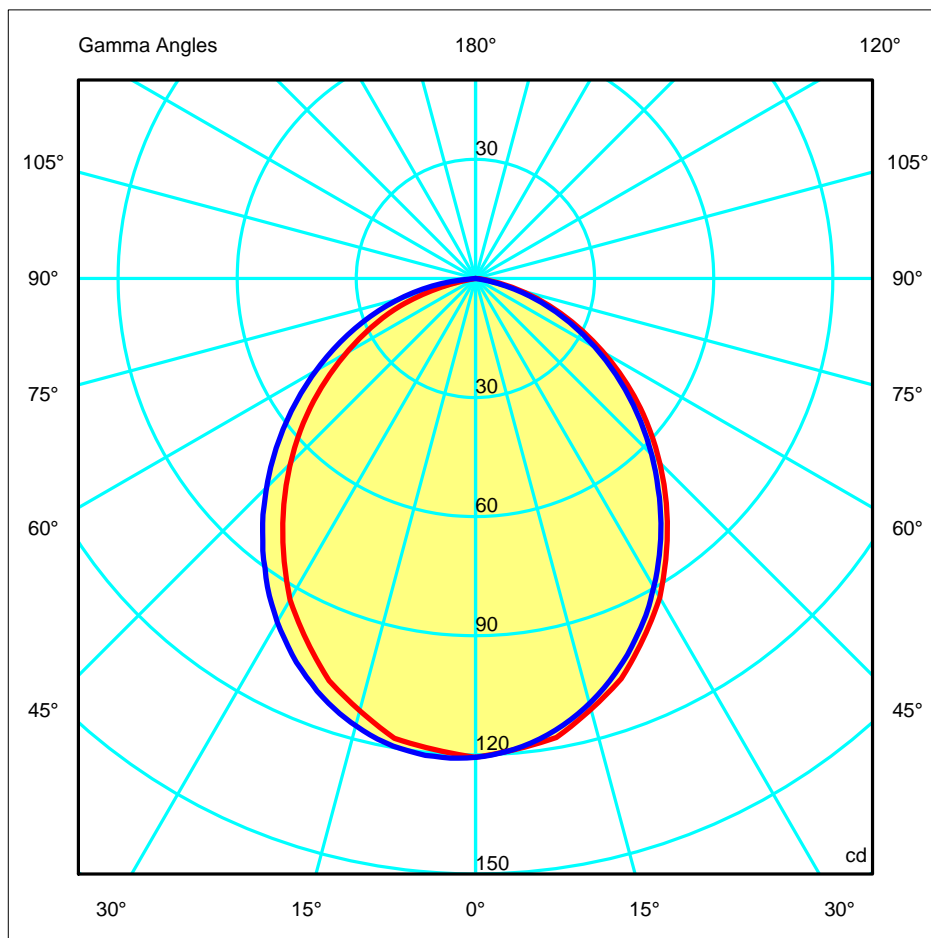
180.0 — 0.0

270.0 — 90.0

ULOR 0.00 %

DLOR 100.00 %

RN 0.00 %

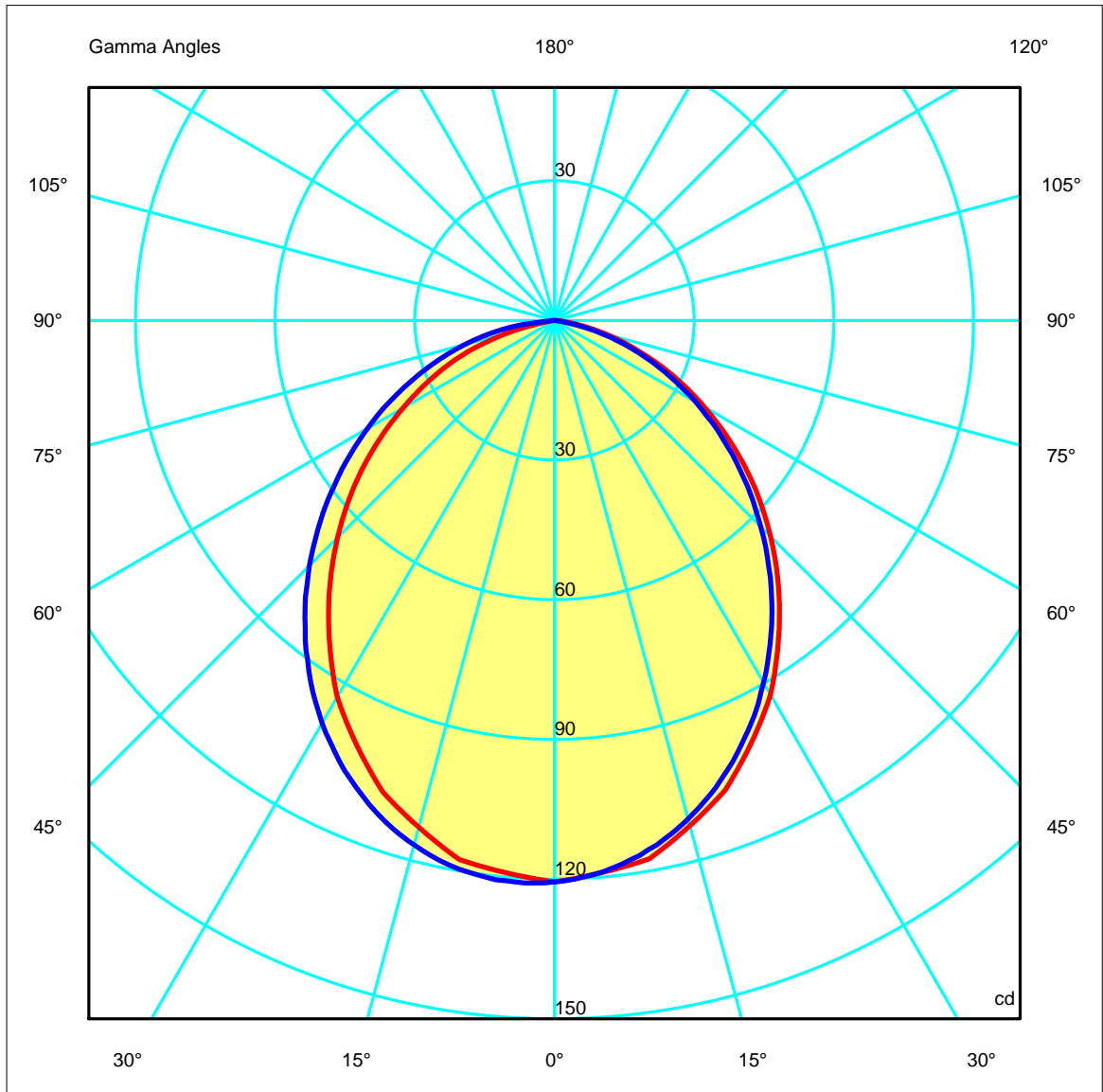
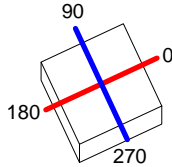


<b>Luminaire</b>		<b>Measur.</b>		<b>Lamp</b>	
Code	05-4760	Code	05-4760	Code	05-4760
Name	05-4760	Name	05-4760	Number	1
Line	Eulumdat	Date	02-04-2015	Position	
Efficiency	100.00%	Coordinate system	CG	Total Flux	281.90 lm

1mm x 1mm

C Halfplanes

180.0 ——— 0.0  
 270.0 ——— 90.0

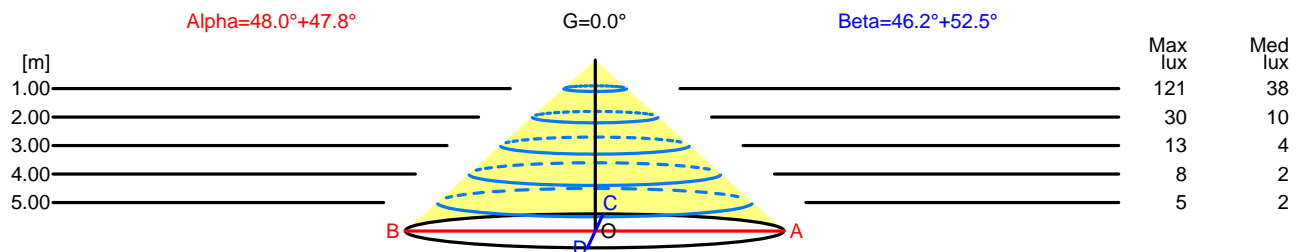


<b>Luminaire</b>		<b>Measur.</b>		<b>Lamp</b>	
Code	05-4760	Code	05-4760	Code	05-4760
Name	05-4760	Name	05-4760	Number	1
Line	Eulumdat	Date	02-04-2015	Position	
Efficiency	100.00%	Coordinate system	CG	Total Flux	281.90 lm

Width at 50.00 % of Max Intensity

H[m]	1.00	2.00	3.00	4.00	5.00	H[m]	1.00	2.00	3.00	4.00	5.00
OA	1.10	2.21	3.31	4.42	5.52	OC	1.04	2.09	3.13	4.17	5.22
OB	1.11	2.22	3.33	4.44	5.56	OD	1.30	2.61	3.91	5.22	6.52

	Luminous Intensities [ cd ]									
	0	5	15	25	35	45	55	65	75	85
OA	120.58	118.98	112.33	100.04	83.84	65.59	46.69	28.10	11.65	2.10
OB	120.58	119.08	112.68	100.59	84.29	65.89	47.04	28.80	10.40	0.35
OC	120.58	118.88	110.78	97.79	81.19	62.59	43.99	26.10	9.70	0.00
OD	120.58	120.78	116.58	106.68	91.99	74.49	55.79	37.19	19.80	0.70



H[m]	D[m]	Max lux	Med lux	Alpha=48.0°+47.8°	G=0.0	
1.00	2.22	121	38			
2.00	4.43	30	10			
3.00	6.65	13	4			
4.00	8.86	8	2			
5.00	11.08	5	2			

H[m]	D[m]	Max lux	Med lux	Beta=52.5°+46.2°	G=0.0	
1.00	2.35	121	38			
2.00	4.70	30	10			
3.00	7.04	13	4			
4.00	9.39	8	2			
5.00	11.74	5	2			

**Luminaire**  
 Code 05-4760  
 Name 05-4760  
 Line Eulumdat

**Measuram.**  
 Code 05-4760  
 Name 05-4760  
 Date 02-04-2015

**Lamp**  
 Code 05-4760  
 Number 1  
 Position

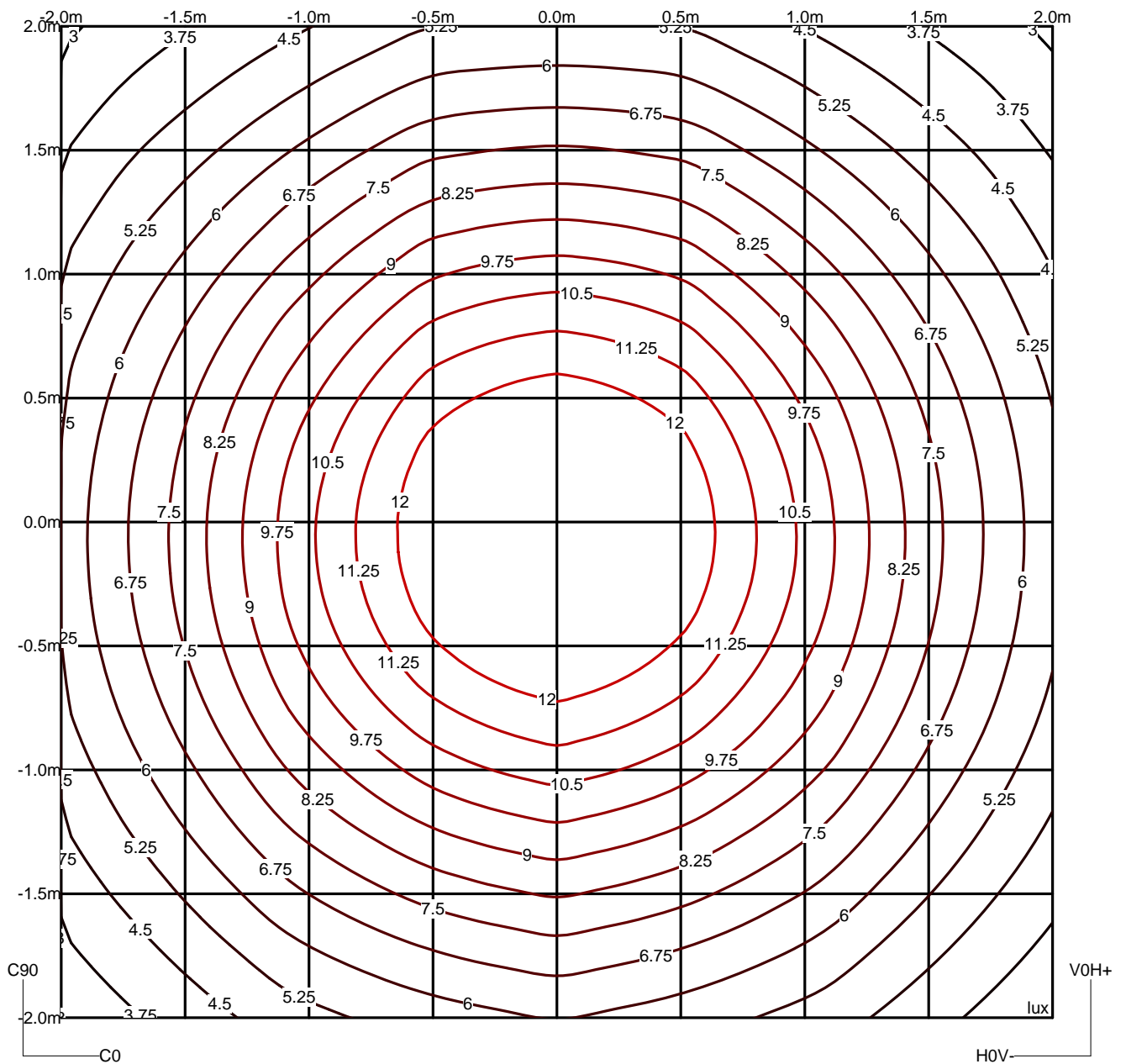
Efficiency 100.00%

Coordinate system CG

Total Flux 281.90 lm

Isolux (Floor)

Luminaire position X=0.00m Y=0.00m Z=3.00m



**Luminaire**  
 Code 05-4760  
 Name 05-4760  
 Line Eulumdat

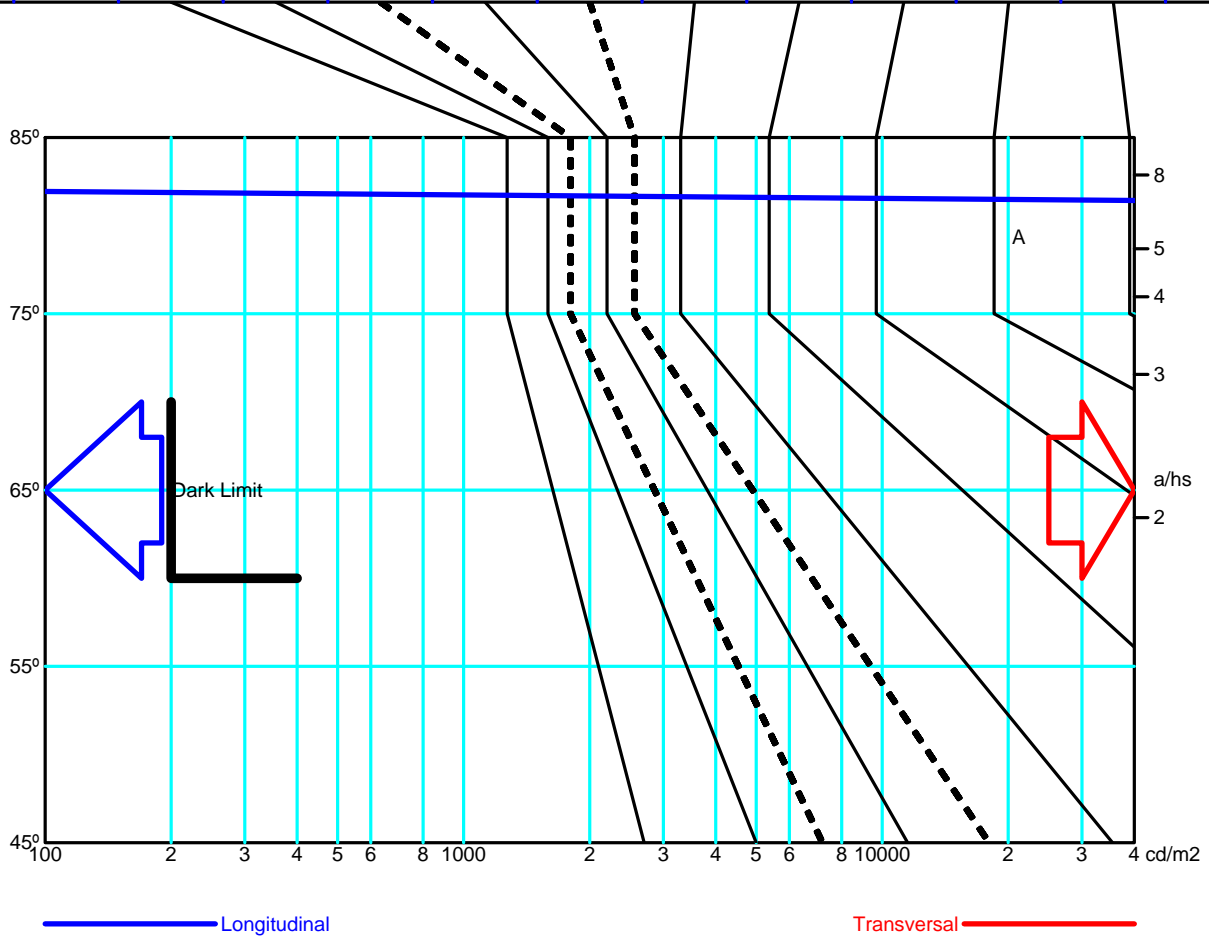
**Measur.**  
 Code 05-4760  
 Name 05-4760  
 Date 02-04-2015

**Lamp**  
 Code 05-4760  
 Number 1  
 Position

Efficiency 100.00%      Coordinate system CG      Total Flux 281.90 lm

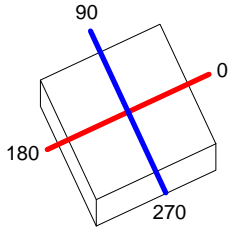
		Average Luminance [cd/m <sup>2</sup> ]											
		45°	50°	55°	60°	65°	70°	75°	80°	85°			
0.0°	92759246	87574824	81407413	74189471	66480833	55836739	45005756	24183404	24091379	---			
90.0°	88517208	82908316	76700777	69990067	61749097	51743993	37472610	13243290	0	---			

Flush mounted or longitudinal view												
		Illumination(lx)										
A	A	2000	1000	750	500		<300					1.15
B	1		2000	1500	1000	750	500	<300				1.5
C					2000		1000	500	<300			1.85
D	2						2000	1000	500	<300		2.2
E	3							2000	1000	500	<300	2.55



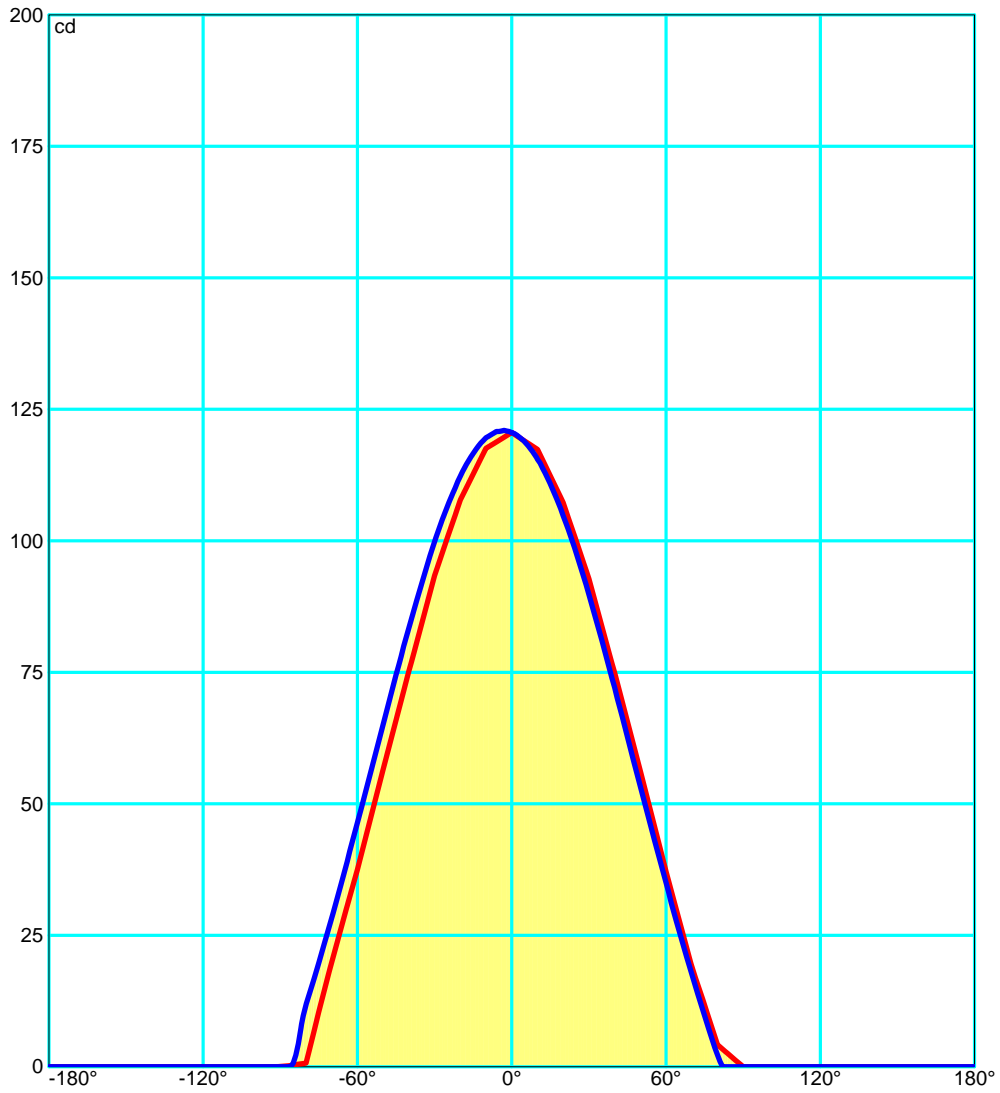
<b>Luminaire</b>		<b>Measur.</b>		<b>Lamp</b>	
Code	05-4760	Code	05-4760	Code	05-4760
Name	05-4760	Name	05-4760	Number	1
Line	Eulumdat	Date	02-04-2015	Position	
Efficiency	100.00%	Coordinate system	CG	Total Flux	281.90 lm

1mm x 1mm



C Halfplanes

180.0 ——— 0.0  
 270.0 ——— 90.0



<b>Luminaire</b>		<b>Measur.</b>		<b>Lamp</b>	
Code	05-4760	Code	05-4760	Code	05-4760
Name	05-4760	Name	05-4760	Number	1
Line	Eulumdat	Date	02-04-2015	Position	
Efficiency	100.00%	Coordinate system	CG	Total Flux	281.90 lm

**UGR**  
S = 0.250

Reflectancies										
Ceiling/Cavity	0.7	0.7	0.5	0.5	0.3	0.7	0.7	0.5	0.5	0.3
Walls	0.5	0.3	0.5	0.3	0.3	0.5	0.3	0.5	0.3	0.3
WorkingPlane	0.2	0.2	0.2	0.2	0.2	0.2	0.2	0.2	0.2	0.2
RoomDimensions	ViewedCrosswise					ViewedEndwise				
x=2H y=2H	51.6	52.8	51.8	53.0	54.1	52.5	53.7	52.8	53.9	54.1
x=2H y=3H	52.8	53.9	53.1	54.1	55.6	54.0	55.1	54.3	55.4	55.6
x=2H y=4H	53.1	54.1	53.4	54.4	56.2	54.6	55.7	54.9	56.0	56.2
x=2H y=6H	53.1	54.1	53.4	54.4	56.6	55.1	56.0	55.4	56.3	56.6
x=2H y=8H	53.0	54.0	53.4	54.3	56.7	55.2	56.1	55.5	56.4	56.7
x=2H y=12H	53.0	53.9	53.4	54.2	56.7	55.1	56.0	55.5	56.3	56.7
x=4H y=2H	52.3	53.3	52.6	53.6	54.7	53.1	54.2	53.4	54.4	54.7
x=4H y=3H	53.6	54.5	54.0	54.8	56.3	54.8	55.7	55.2	56.0	56.3
x=4H y=4H	54.0	54.8	54.4	55.2	57.0	55.6	56.3	56.0	56.7	57.0
x=4H y=6H	54.1	54.8	54.5	55.1	57.6	56.1	56.8	56.5	57.2	57.6
x=4H y=8H	54.1	54.7	54.5	55.1	57.7	56.2	56.9	56.7	57.2	57.7
x=4H y=12H	54.0	54.6	54.5	55.0	57.7	56.3	56.8	56.7	57.2	57.7
x=8H y=4H	54.3	54.9	54.7	55.3	57.2	55.8	56.4	56.2	56.8	57.2
x=8H y=6H	54.4	54.9	54.9	55.4	57.8	56.4	56.9	56.9	57.4	57.8
x=8H y=8H	54.4	54.8	54.9	55.3	58.0	56.6	57.0	57.1	57.5	58.0
x=8H y=12H	54.4	54.8	54.9	55.2	58.0	56.6	57.0	57.1	57.5	58.0
x=12H y=4H	54.3	54.9	54.8	55.3	57.2	55.8	56.3	56.2	56.7	57.2
x=12H y=6H	54.5	54.9	54.9	55.3	57.8	56.4	56.9	56.9	57.3	57.8
x=12H y=8H	54.5	54.8	55.0	55.3	58.0	56.6	57.0	57.1	57.5	58.0



**Luminaire**  
 Code 05-4760  
 Name 05-4760  
 Line Eulumdat

**Measur.**  
 Code 05-4760  
 Name 05-4760  
 Date 02-04-2015

**Lamp**  
 Code 05-4760  
 Number 1  
 Position

Efficiency 100.00%      Coordinate system CG      Total Flux 281.90 lm

Total Flux=281.90 Luminaire Flux=281.89

RI	0.60	0.80	1.00	1.25	1.50	2.00	2.50	3.00	4.00	5.00	10.00	20.00
DRR	0.35	0.44	0.51	0.58	0.64	0.72	0.78	0.82	0.86	0.89	0.94	0.97
RC	4	4	4	4	4	4	4	4	3	3	3	3

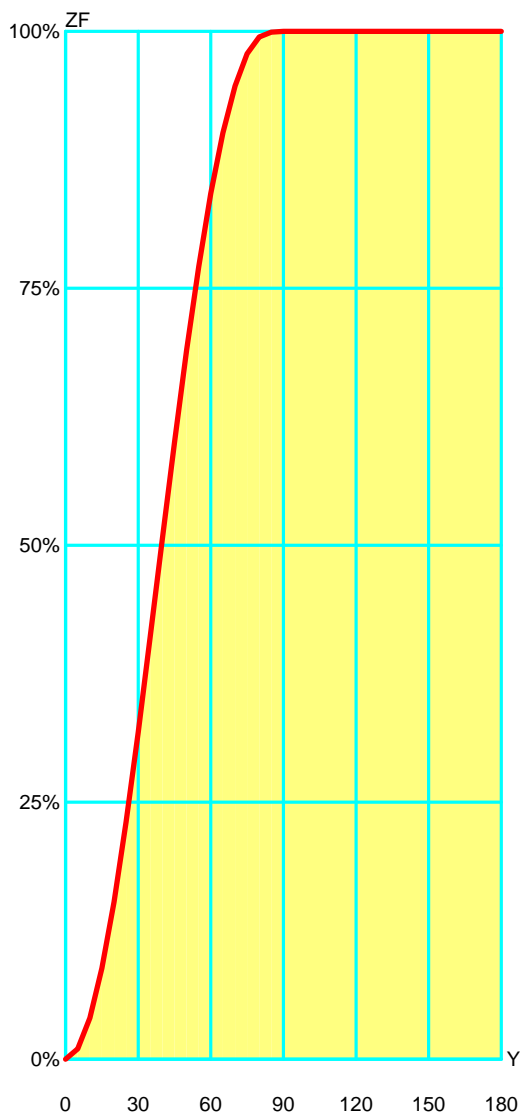
Zonal Flux per 1000 Lumen

Y°	10	20	30	40	50	60	70	80	90	100	110	120	130	140	150	160	170	180
ZF(Y)	40	153	318	507	690	842	947	995	1000	1000	1000	1000	1000	1000	1000	1000	1000	1000

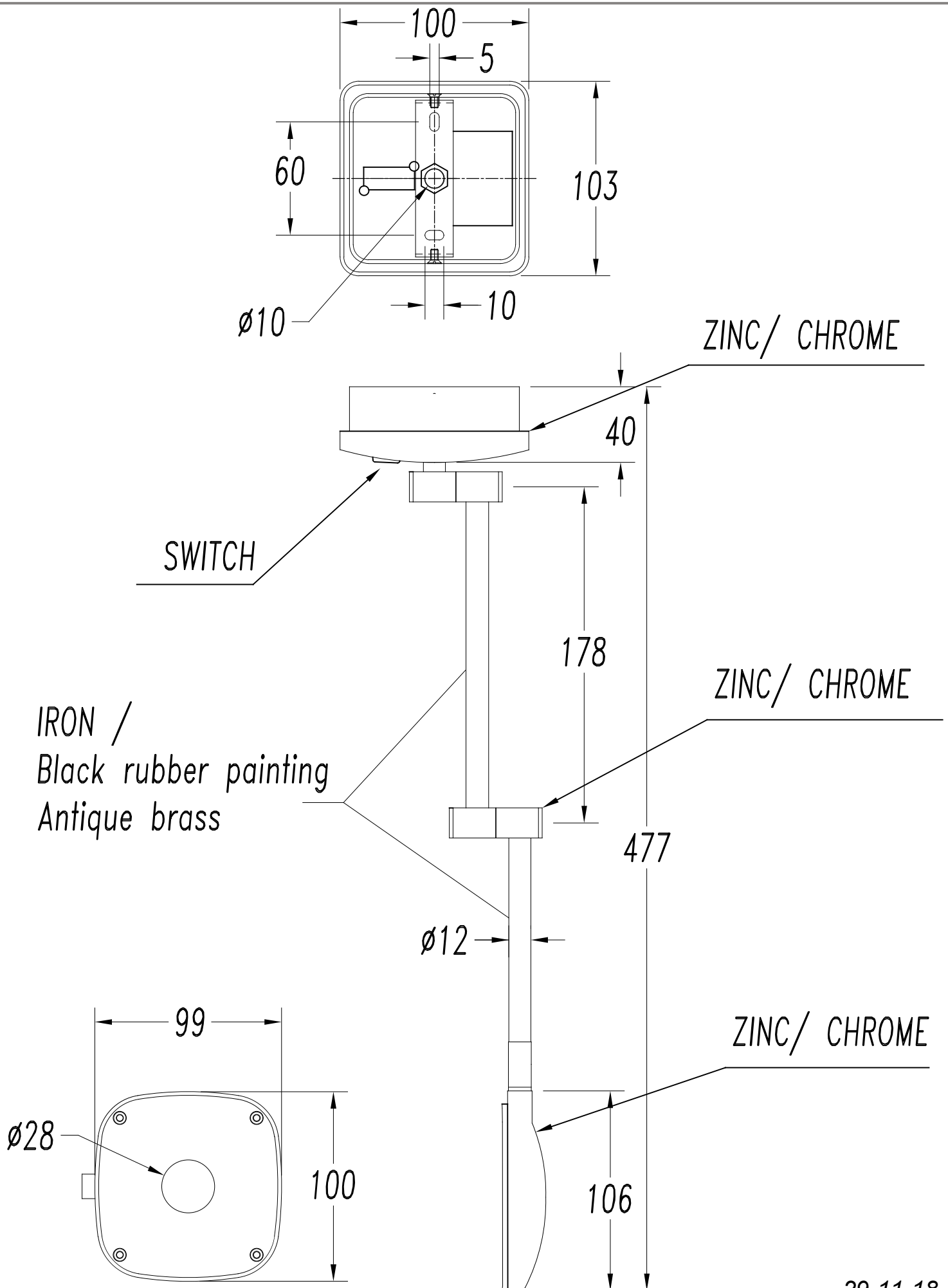
CIE Flux Codes

53 84 98 100 100

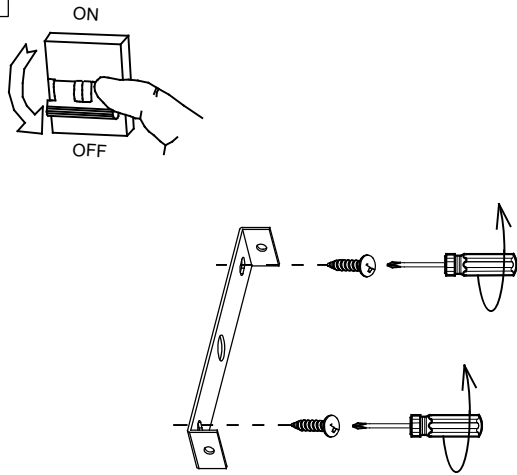
C.I.E.	4/4/4/4/4/4/4/3/3/3/3	LOR	99.99811 %
D DIN 5040	A40	ULOR	0.00000 %
F UTE	1.00 D	DLOR	99.99811 %
B NBN	BZ 4	UFF	0.00000 %
RN	0.00000 %	DFF	100.00000 %
BLF	1.0	FFR	0.00000 %



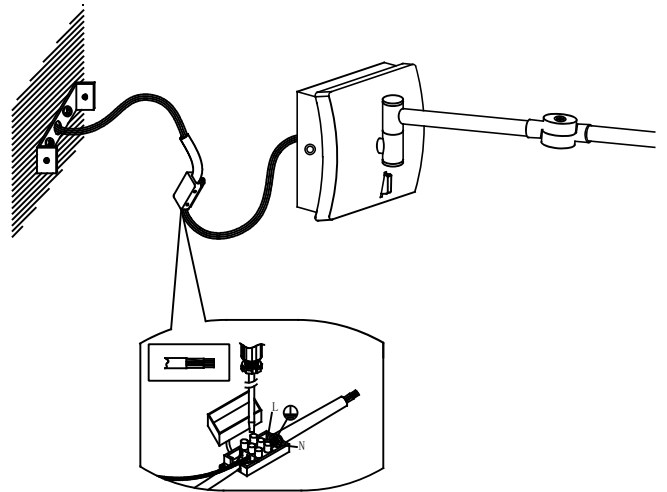
Zonal Flux				
Gamma °	Flux	Sum lm	Flux [%]	Sum [%]
0°	0.00	0.00	0.00%	0.00 %
5°	10.16	10.16	1.02 %	1.02 %
10°	29.97	40.13	3.00 %	4.01 %
15°	48.42	88.55	4.84 %	8.85 %
20°	64.49	153.04	6.45 %	15.30 %
25°	77.67	230.71	7.77 %	23.07 %
30°	87.33	318.04	8.73 %	31.80 %
35°	93.31	411.35	9.33 %	41.14 %
40°	95.36	506.71	9.54 %	50.67 %
45°	93.85	600.56	9.38 %	60.06 %
50°	89.06	689.62	8.91 %	68.96 %
55°	81.39	771.01	8.14 %	77.10 %
60°	71.20	842.21	7.12 %	84.22 %
65°	59.07	901.29	5.91 %	90.13 %
70°	45.61	946.90	4.56 %	94.69 %
75°	31.18	978.07	3.12 %	97.81 %
80°	16.45	994.52	1.64 %	99.45 %
85°	4.66	999.17	0.47 %	99.92 %
90°	0.81	999.98	0.08 %	100.00 %
95°	0.00	999.98	0.00 %	100.00 %
100°	0.00	999.98	0.00 %	100.00 %
105°	0.00	999.98	0.00 %	100.00 %
110°	0.00	999.98	0.00 %	100.00 %
115°	0.00	999.98	0.00 %	100.00 %
120°	0.00	999.98	0.00 %	100.00 %
125°	0.00	999.98	0.00 %	100.00 %
130°	0.00	999.98	0.00 %	100.00 %
135°	0.00	999.98	0.00 %	100.00 %
140°	0.00	999.98	0.00 %	100.00 %
145°	0.00	999.98	0.00 %	100.00 %
150°	0.00	999.98	0.00 %	100.00 %
155°	0.00	999.98	0.00 %	100.00 %
160°	0.00	999.98	0.00 %	100.00 %
165°	0.00	999.98	0.00 %	100.00 %
170°	0.00	999.98	0.00 %	100.00 %
175°	0.00	999.98	0.00 %	100.00 %
180°	0.00	999.98	0.00 %	100.00 %



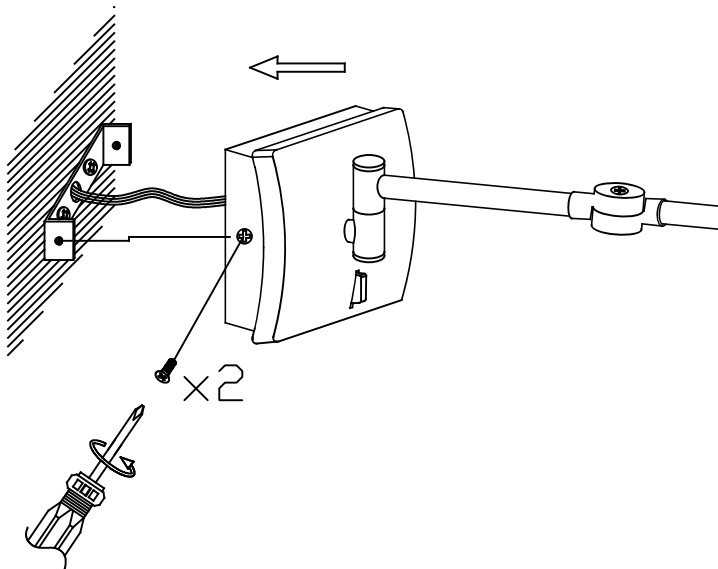
1



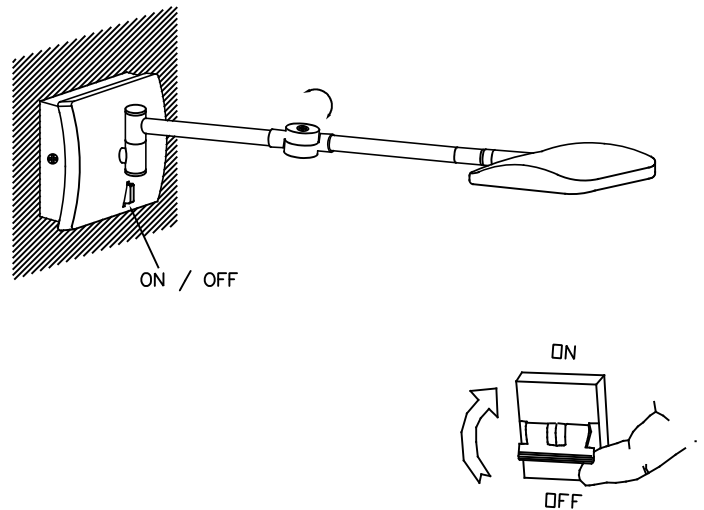
2



3



4



5

