

BEND Wall fixture

Designer: Benedito Design

05-4394-AHM1V1U V1

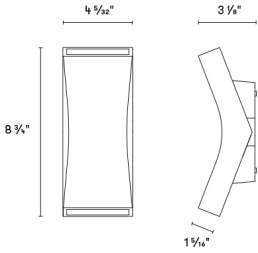


Finish

NA
Transparent
Matt
NA

Material

Aluminium
Aluminium
Methacrylate



TECHNICAL CHARACTERISTICS

Light source

Light source: LED CREE
Output (W): 6.3W
Total power consumption (W): 6.3
Color temperature: LED warm-white
3000K
CRI: 80
Photobiological risk: RG1
Qty Leds: 2
Life Time: 50.000h L80B20
Bin / Grup: 30H

GEAR

Brand: HATCH
Gear included: Yes, electronic
Voltage / Frequency: 120-277 VAC
Power Factor: 0.91

Luminaire

Warranty: 5 Years

Logistics

Energy Efficiency: LED A++
EAN Code: 8435381449629
Net Weight (Lb): 1.08
Weight in Kg (packaged): 0.640
Packing: 230 x 85 x 135
Masterbox: 1

The photograph may not match the reference exactly. Please read the product description to identify the finish.

LEDS C4

Luminaire

Code 05-4394-AHM1V1U

Name Aplique gris 2 leds

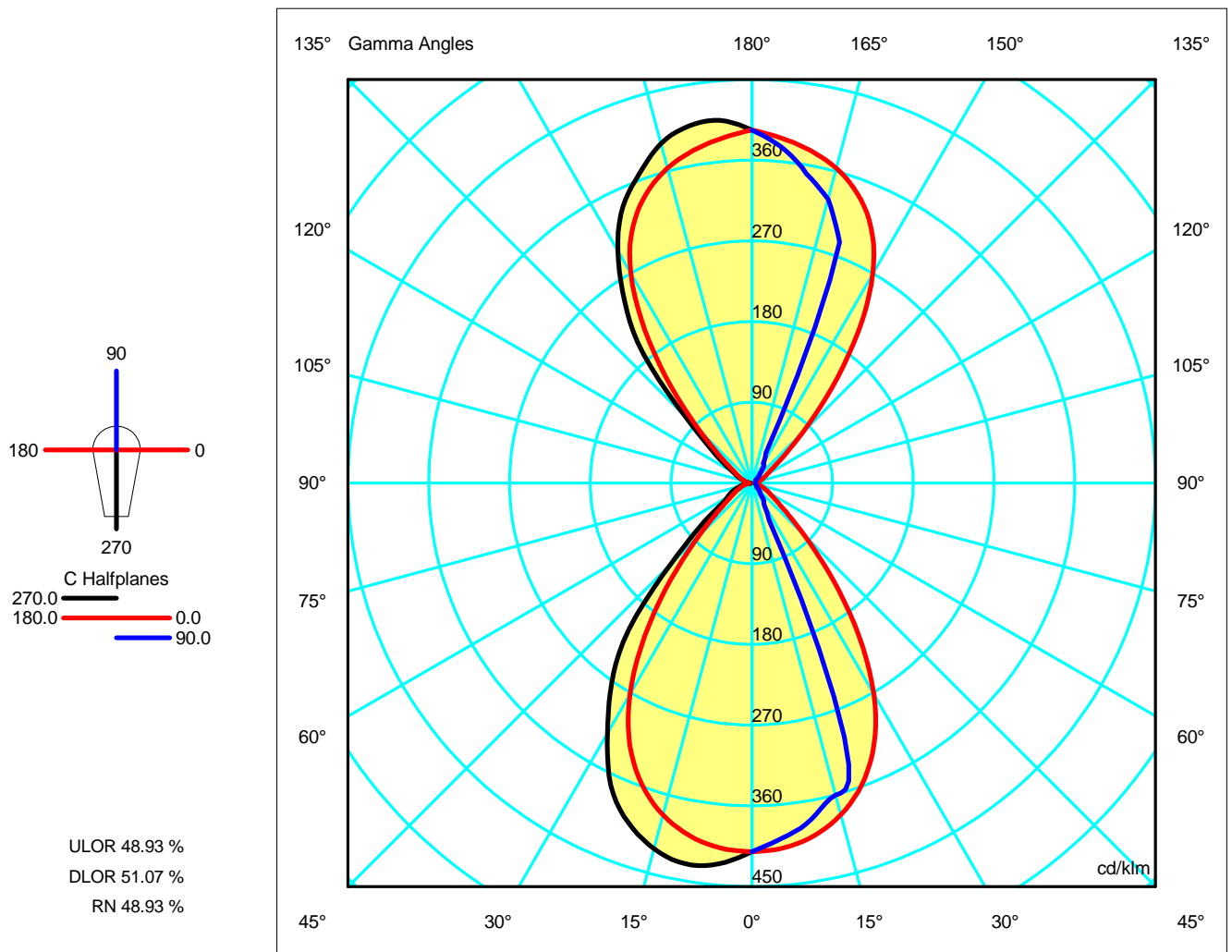
Measurerm.

Code 05-4394-AH-M1

Name Aplique gris 2 leds

Luminaire Flux	238.87 lm	Luminaire Power	6.30 W	Efficacy	37.92 lm/W	Efficiency	100.00%
Lamps Flux	238.87 lm	Maximum value	430.93 cd/klm	Position	C=270.00 G=10.00	CG Sym. on planes	270-90
Rectangular Luminaire		Length	105 mm	Width	90 mm	Height	200 mm
Rectangular Luminous Area		Length	85 mm	Width	80 mm	Height	1 mm
Horizontal Luminous Area	0.006800 m2	Emitting area on Plane 180°		Emitting area on Plane 270°		Emitting area on Plane 90°	
Emitting area on Plane 0°	0.000085 m2	Emitting area on Plane 180°	0.000085 m2	Emitting area on Plane 270°	0.000080 m2	Emitting area on Plane 90°	0.001728 m2
Emitting area on Plane 90°	0.000080 m2						
Coordinate system	CG Roads	Symmetry Type		Sym. on planes	270-90		
Date	19-02-2018	Maximum Gamma Angle		180			
Measurement Distance	0.00	Measurement Flux		238.87 lm			
Operator	LEDS	Source Voltage [V]					
Temperature	25.00 °C	Source current [A]					
Humidity	60.00 %	Photocell					
Notes							

Line	Code	Luminaire Lamps		Flux [lm]	Pow. [W]	Q.ty
		Name				
	05-4394-AHM1V1U	05-4394-AHM1V1U		238.87	6.30	1
C.I.E.	79 94 98 51 100	D DIN 5040		C61		



Luminaire

Code 05-4394-AHM1V1U

Name Aplique gris 2 leds

Measurerm.

Code 05-4394-AH-M1

Name Aplique gris 2 leds

Luminaire Flux	238.87 lm	Luminaire Power	6.30 W	Efficacy	37.92 lm/W	Efficiency	100.00%
Lamps Flux	238.87 lm	Maximum value	430.93 cd/klm	Position	C=270.00 G=10.00	CG	Sym. on planes 270-90

Luminous Intensity Table cd/klm Table 1/1

	C 270.00	C 285.00	C 300.00	C 315.00	C 330.00	C 345.00	C 0.00	C 15.00	C 30.00	C 45.00	C 60.00	C 75.00	C 90.00
G 0.0	411.14	411.14	411.14	411.14	411.14	411.14	411.14	411.14	411.14	411.14	411.14	411.14	411.14
G 5.0	426.24	425.43	423.17	419.86	416.01	412.06	408.34	404.96	402.12	399.90	398.31	397.35	397.03
G 10.0	430.93	429.04	424.28	418.49	413.37	405.43	399.29	393.35	389.09	385.53	383.06	381.50	380.93
G 15.0	422.07	418.99	412.14	405.63	397.19	390.03	382.96	375.64	371.03	368.36	365.64	362.23	360.32
G 20.0	402.81	397.77	388.18	379.78	373.17	365.70	358.03	350.78	347.84	348.41	325.82	311.22	301.23
G 25.0	371.90	362.02	351.56	345.48	337.81	329.60	321.97	315.86	315.62	300.07	231.46	109.78	45.88
G 30.0	322.01	313.68	302.12	303.86	294.24	281.56	271.91	268.41	270.93	210.69	72.89	37.16	26.56
G 35.0	272.70	257.43	254.33	252.65	240.04	220.50	207.81	207.25	194.63	78.13	27.69	24.08	23.44
G 40.0	213.21	189.46	198.70	199.70	179.17	154.96	140.75	141.33	114.30	27.21	19.69	17.59	14.41
G 45.0	128.31	116.18	137.12	145.71	120.62	97.20	84.59	83.75	53.88	15.36	14.45	13.52	11.22
G 50.0	76.10	57.75	77.29	94.29	74.55	58.40	49.60	46.64	21.72	10.61	10.68	9.77	7.60
G 55.0	43.11	31.49	32.08	53.16	46.27	37.05	31.70	27.71	12.89	7.61	7.74	6.96	6.60
G 60.0	31.77	25.27	22.77	31.52	30.36	26.17	23.17	18.95	8.57	6.31	5.79	6.16	6.25
G 65.0	25.80	20.71	17.11	20.45	21.13	19.64	17.54	13.56	6.05	5.43	5.12	5.81	6.08
G 70.0	19.70	15.47	13.18	13.34	15.23	15.09	13.12	9.54	5.22	4.78	4.82	5.46	4.86
G 75.0	13.57	7.96	9.50	10.75	11.49	11.60	9.46	6.66	4.16	4.43	4.67	5.22	5.05
G 80.0	9.81	5.77	7.55	8.58	8.71	8.33	6.26	4.63	3.68	4.21	4.54	5.19	4.51
G 85.0	2.58	5.36	6.82	7.08	6.59	5.69	3.92	3.43	3.52	4.01	4.48	5.28	4.17
G 90.0	1.39	5.30	6.28	6.42	5.66	4.49	3.01	3.13	3.54	3.89	4.62	5.31	3.96
G 95.0	2.53	5.14	6.36	6.90	6.30	5.31	3.89	3.72	3.64	3.91	4.46	5.00	3.99
G100.0	4.79	5.73	7.65	8.41	8.20	7.54	6.03	4.86	3.83	3.98	4.24	4.59	3.82
G105.0	7.49	9.04	10.25	10.63	10.87	10.29	8.70	6.17	4.21	4.09	4.25	4.45	3.82
G110.0	11.46	12.57	12.93	14.01	14.12	13.07	11.41	8.67	5.05	4.21	4.41	4.38	4.14
G115.0	17.29	16.22	16.73	20.56	18.47	16.44	14.67	10.65	5.67	4.54	4.58	4.65	4.34
G120.0	23.10	21.85	25.64	32.17	25.09	21.20	19.24	16.36	8.21	5.25	5.11	5.02	4.84
G125.0	37.06	33.98	45.23	54.34	39.24	30.17	27.08	27.18	12.10	6.67	6.45	6.05	5.16
G130.0	60.76	60.27	81.75	94.38	68.49	51.10	44.98	48.60	20.47	9.91	9.20	8.41	6.38
G135.0	105.03	106.73	134.34	153.67	119.29	92.32	80.95	86.82	57.01	14.81	13.48	12.03	10.85
G140.0	187.70	174.59	199.50	211.38	183.95	154.89	139.00	142.63	122.41	25.42	19.21	17.27	14.68
G145.0	247.29	241.30	256.43	262.05	248.58	224.16	207.24	205.15	195.12	80.33	25.97	23.30	23.79
G150.0	298.92	292.27	296.93	304.21	300.01	284.47	269.81	261.63	263.14	195.43	84.26	38.18	25.57
G155.0	340.26	331.30	334.21	336.79	335.07	326.18	314.49	303.01	297.72	278.02	220.91	113.07	37.37
G160.0	366.95	362.58	362.03	362.80	361.62	353.65	343.72	331.78	324.03	318.40	300.20	285.17	285.90
G165.0	392.05	386.07	382.75	382.05	377.27	371.05	363.58	352.64	344.46	337.99	332.61	328.99	328.22
G170.0	404.39	400.04	395.85	391.95	388.63	381.98	376.64	368.67	362.50	356.91	352.72	350.26	350.32
G175.0	406.06	403.26	399.89	396.23	392.56	389.13	386.14	381.95	378.58	376.22	375.01	375.03	376.29
G180.0	393.87	393.87	393.87	393.87	393.87	393.87	393.87	393.87	393.87	393.87	393.87	393.87	393.87

LEDS C4[®]

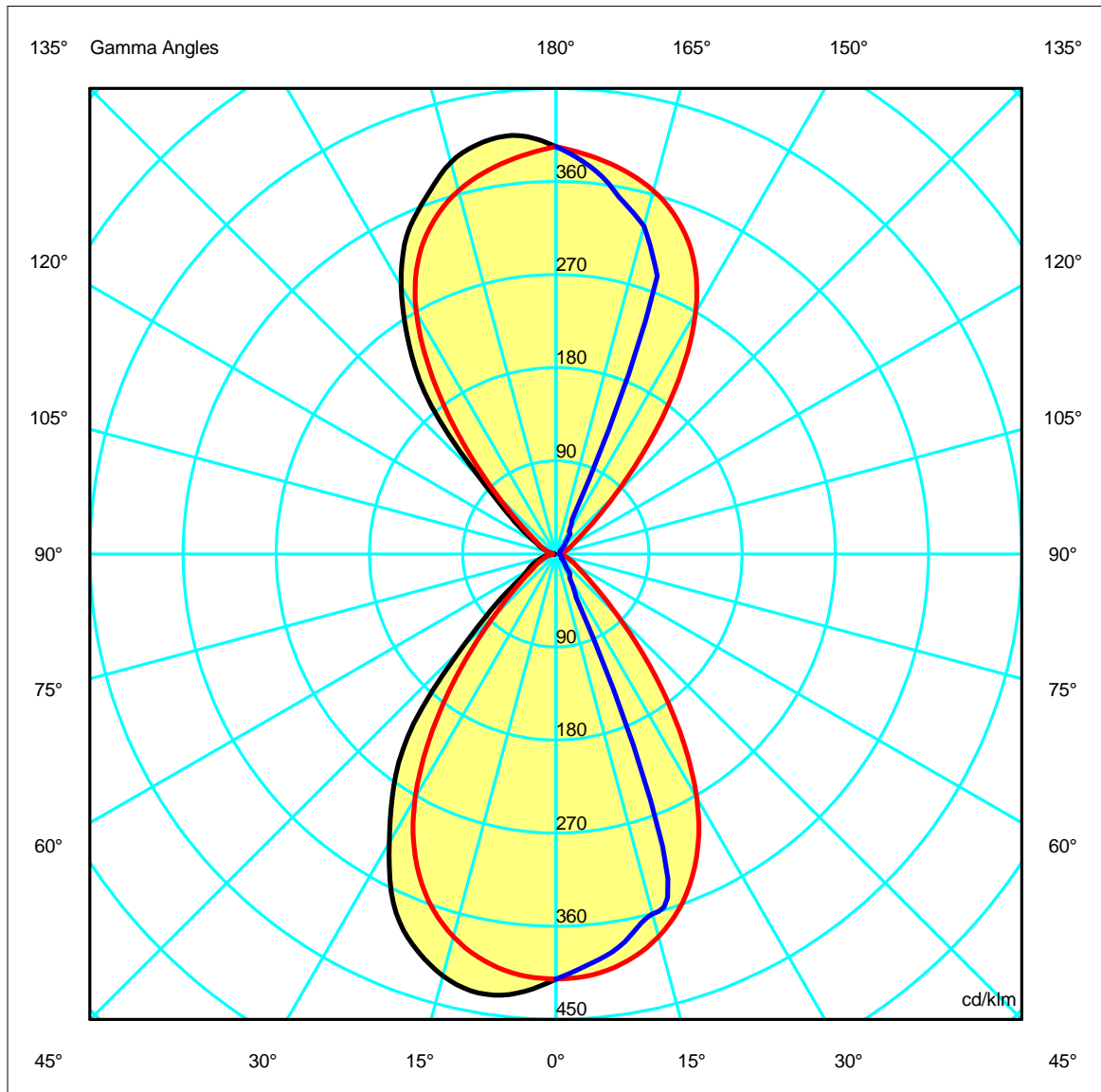
Luminaire

Code 05-4394-AHM1V1U
 Name Applique gris 2 leds

Measur.

Code 05-4394-AH-M1
 Name Applique gris 2 leds

Luminaire Flux	238.87 lm	Luminaire Power	6.30 W	Efficacy	37.92 lm/W	Efficiency	100.00%
Lamps Flux	238.87 lm	Maximum value	430.93 cd/klm	Position	C=270.00 G=10.00	CG	Sym. on planes 270-90



LEDS C4

Luminaire

Code 05-4394-AHM1V1U

Name Aplique gris 2 leds

Measurment

Code 05-4394-AH-M1

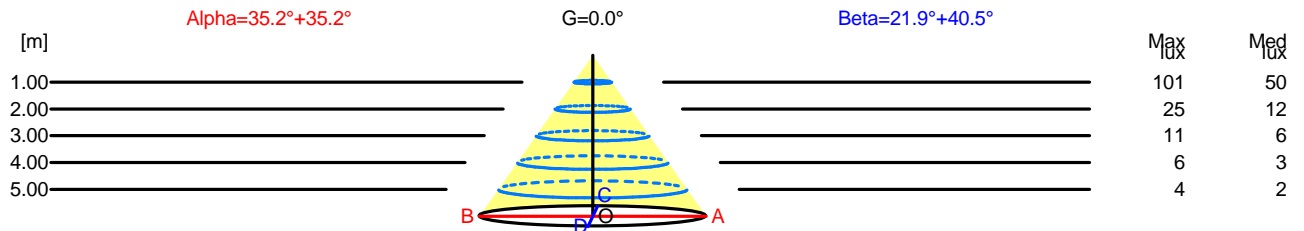
Name Aplique gris 2 leds

Luminaire Flux	238.87 lm	Luminaire Power	6.30 W	Efficacy	37.92 lm/W	Efficiency	100.00%
Lamps Flux	238.87 lm	Maximum value	430.93 cd/klm	Position	C=270.00 G=10.00	CG	Sym. on planes 270-90

Width at 50.00 % of Max Intensity

H[m]	1.00	2.00	3.00	4.00	5.00	H[m]	1.00	2.00	3.00	4.00	5.00
OA	0.70	1.41	2.11	2.82	3.52	OC	0.40	0.80	1.21	1.61	2.01
OB	0.70	1.41	2.11	2.82	3.52	OD	0.85	1.71	2.56	3.41	4.27

	Luminous Intensities [cd/klm]									
	0	5	15	25	35	45	55	65	75	85
OA	98.21	97.54	91.48	76.91	49.64	20.21	7.57	4.19	2.26	0.94
OB	98.21	97.54	91.48	76.91	49.64	20.21	7.57	4.19	2.26	0.94
OC	98.21	94.84	86.07	10.96	5.60	2.68	1.58	1.45	1.21	1.00
OD	98.21	101.82	100.82	88.84	65.14	30.65	10.30	6.16	3.24	0.62



H[m]	D[m]	Max lux	Med lux	Alpha=35.2°+35.2°	G=0.0
1.00	1.41	101	50		
2.00	2.82	25	12		
3.00	4.23	11	6		
4.00	5.64	6	3		
5.00	7.04	4	2		

H[m]	D[m]	Max lux	Med lux	Beta=40.5°+21.9°	G=0.0
1.00	1.25	101	50		
2.00	2.51	25	12		
3.00	3.76	11	6		
4.00	5.02	6	3		
5.00	6.27	4	2		

Luminaire

Code 05-4394-AHM1V1U

Name Applique gris 2 leds

Measurement

Code 05-4394-AH-M1

Name Applique gris 2 leds

Luminaire Flux	238.87 lm	Luminaire Power	6.30 W	Efficacy	37.92 lm/W	Efficiency	100.00%
Lamps Flux	238.87 lm	Maximum value	430.93 cd/klm	Position	C=270.00 G=10.00	CG	Sym. on planes 270-90

UGR
S = 0.250

Reflectancies										
Ceiling/Cavity	0.7	0.7	0.5	0.5	0.3	0.7	0.7	0.5	0.5	0.3
Walls	0.5	0.3	0.5	0.3	0.3	0.5	0.3	0.5	0.3	0.3
WorkingPlane	0.2	0.2	0.2	0.2	0.2	0.2	0.2	0.2	0.2	0.2
RoomDimensions	Viewed Crosswise					Viewed Endwise				
x=2H y=2H	10.9	11.6	11.8	12.5	13.5	12.5	13.2	13.4	14.0	15.1
x=2H y=3H	11.2	11.8	12.1	12.6	13.7	12.8	13.4	13.7	14.3	15.4
x=2H y=4H	11.3	11.9	12.2	12.8	13.9	12.9	13.5	13.8	14.3	15.5
x=2H y=6H	11.5	12.0	12.4	12.9	14.0	13.0	13.5	14.0	14.4	15.6
x=2H y=8H	11.5	12.0	12.5	12.9	14.1	13.1	13.5	14.0	14.5	15.6
x=2H y=12H	11.6	12.0	12.5	12.9	14.1	13.1	13.5	14.0	14.4	15.6
x=4H y=2H	10.8	11.3	11.7	12.2	13.3	12.4	13.0	13.3	13.9	15.0
x=4H y=3H	11.1	11.6	12.1	12.5	13.7	12.8	13.2	13.7	14.2	15.3
x=4H y=4H	11.4	11.8	12.4	12.7	13.9	12.9	13.3	13.9	14.3	15.5
x=4H y=6H	11.7	12.0	12.7	13.0	14.2	13.1	13.4	14.1	14.4	15.6
x=4H y=8H	11.8	12.1	12.8	13.1	14.3	13.2	13.5	14.2	14.5	15.7
x=4H y=12H	11.9	12.2	13.0	13.2	14.5	13.2	13.5	14.3	14.5	15.8
x=8H y=4H	11.4	11.7	12.4	12.6	13.9	12.9	13.2	13.9	14.2	15.4
x=8H y=6H	11.8	12.0	12.8	13.0	14.3	13.2	13.4	14.2	14.4	15.7
x=8H y=8H	12.0	12.2	13.0	13.2	14.6	13.4	13.6	14.4	14.6	15.9
x=8H y=12H	12.3	12.5	13.3	13.5	14.8	13.6	13.7	14.6	14.8	16.1
x=12H y=4H	11.3	11.6	12.3	12.6	13.9	12.9	13.2	13.9	14.1	15.4
x=12H y=6H	11.8	12.0	12.8	13.0	14.3	13.2	13.4	14.2	14.4	15.8
x=12H y=8H	12.1	12.3	13.1	13.3	14.6	13.5	13.7	14.5	14.7	16.0

LEDS C4[®]

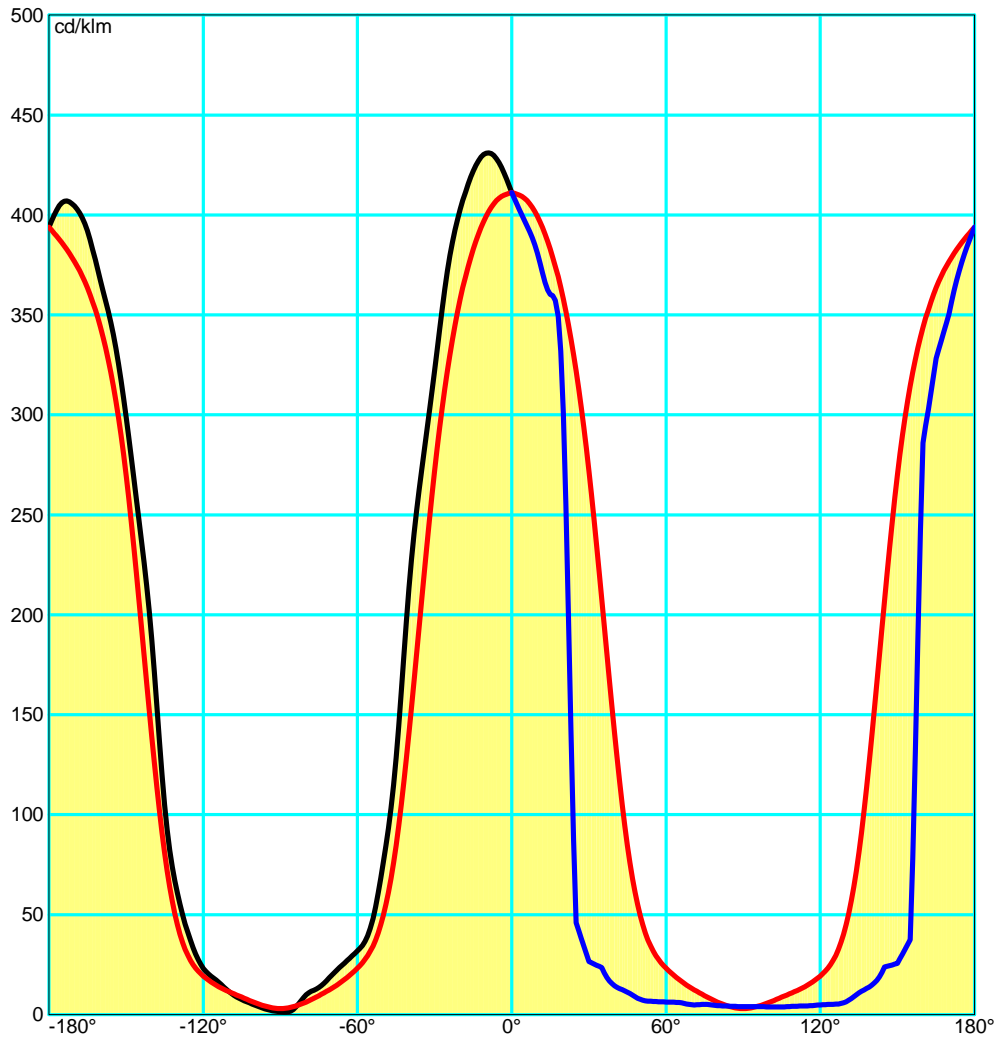
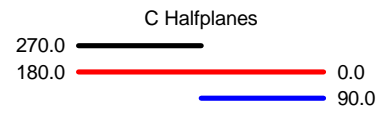
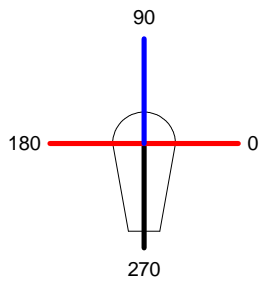
Luminaire

Code 05-4394-AHM1V1U
Name Applique gris 2 leds

Measur.

Code 05-4394-AH-M1
Name Applique gris 2 leds

Luminaire Flux	238.87 lm	Luminaire Power	6.30 W	Efficacy	37.92 lm/W	Efficiency	100.00%
Lamps Flux	238.87 lm	Maximum value	430.93 cd/klm	Position	C=270.00 G=10.00	CG	Sym. on planes 270-90



LEDS C4[®]

Luminaire
 Code 05-4394-AHM1V1U
 Name Applique gris 2 leds
Measurem.
 Code 05-4394-AH-M1
 Name Applique gris 2 leds

Luminaire Flux	238.87 lm	Luminaire Power	6.30 W	Efficacy	37.92 lm/W	Efficiency	100.00%
Lamps Flux	238.87 lm	Maximum value	430.93 cd/klm	Position	C=270.00 G=10.00	CG	Sym. on planes 270-90

Luminance



Luminaire

Code 05-4394-AHM1V1U

Name Aplique gris 2 leds

Measur.

Code 05-4394-AH-M1

Name Aplique gris 2 leds

Luminaire Flux	238.87 lm	Luminaire Power	6.30 W	Efficacy	37.92 lm/W	Efficiency	100.00%
Lamps Flux	238.87 lm	Maximum value	430.93 cd/klm	Position	C=270.00 G=10.00	CG	Sym. on planes 270-90

Luminance cd/m2 Table 1/3

	C 0.00	C 10.00	C 20.00	C 30.00	C 40.00	C 50.00	C 60.00	C 70.00	C 80.00	C 90.00	C 100.00	C 110.00	C 120.00
G 0.0	14442.50	14442.50	14442.50	14442.50	14442.50	14442.50	14442.50	14442.50	14442.50	14442.50	14442.50	14442.50	14442.50
G 5.0	14383.21	14299.75	14224.39	14158.91	14103.78	14059.25	14025.09	14001.13	13989.03	13985.73	13989.03	14001.13	14025.09
G 10.0	14211.29	14062.12	13934.98	13838.01	13749.41	13676.88	13624.20	13585.80	13565.46	13559.59	13565.46	13585.80	13624.20
G 15.0	13880.66	13690.57	13535.59	13433.16	13363.99	13305.77	13238.96	13157.55	13095.85	13062.62	13095.85	13157.55	13238.96
G 20.0	13323.39	13128.97	12967.03	12924.49	12936.60	12724.29	12107.48	11705.90	11449.51	11212.68	11449.51	11705.90	12107.48
G 25.0	12407.04	12212.43	12150.09	12138.67	11887.54	10963.30	8903.00	5702.56	3145.67	1768.39	3145.67	5702.56	8903.00
G 30.0	10950.26	10780.23	10822.85	10884.54	9762.80	6603.99	2928.63	1616.07	1379.66	1070.23	1379.66	1616.07	2928.63
G 35.0	8834.26	8807.06	8612.07	8249.86	5005.85	2157.14	1173.97	1072.62	1013.59	996.93	1013.59	1072.62	1173.97
G 40.0	6387.28	6386.12	6314.25	5168.91	2379.45	1116.87	890.49	828.16	730.80	654.37	730.80	828.16	890.49
G 45.0	4150.22	4115.44	3791.01	2632.88	1224.06	735.47	706.19	676.60	618.35	550.81	618.35	676.60	706.19
G 50.0	2670.98	2558.98	2127.94	1163.70	654.58	569.66	572.39	553.70	489.39	409.59	489.39	553.70	572.39
G 55.0	1907.13	1805.37	1391.96	770.97	488.85	450.47	463.28	435.90	405.86	397.38	405.86	435.90	463.28
G 60.0	1593.40	1448.76	1062.43	585.32	435.72	419.71	395.66	410.32	424.83	430.36	424.83	410.32	395.66
G 65.0	1419.46	1244.81	877.90	485.17	451.69	433.94	411.28	444.77	482.67	492.67	482.67	444.77	411.28
G 70.0	1302.68	1082.04	778.95	512.63	483.33	470.02	473.29	522.07	534.80	483.67	534.80	522.07	473.29
G 75.0	1226.46	983.46	722.69	531.86	554.08	580.46	597.49	649.81	677.30	656.81	677.30	649.81	597.49
G 80.0	1182.24	954.97	777.90	679.75	734.31	798.10	839.89	939.74	958.74	856.08	958.74	939.74	839.89
G 85.0	1382.04	1202.51	1167.64	1189.55	1295.27	1393.65	1520.83	1763.38	1778.88	1480.39	1778.88	1763.38	1520.83
G 90.0	8459.37	7253.89	7314.41	7447.70	7704.19	8398.01	9861.92	12022.76	12928.87	11837.20	12928.87	12022.76	9861.92

Luminaire

Code 05-4394-AHM1V1U

Name Aplique gris 2 leds

Measurment.

Code 05-4394-AH-M1

Name Aplique gris 2 leds

Luminaire Flux	238.87 lm	Luminaire Power	6.30 W	Efficacy	37.92 lm/W	Efficiency	100.00%
Lamps Flux	238.87 lm	Maximum value	430.93 cd/klm	Position	C=270.00 G=10.00	CG	Sym. on planes 270-90

Luminance cd/m2 Table 2/3

	C 130.00	C 140.00	C 150.00	C 160.00	C 170.00	C 180.00	C 190.00	C 200.00	C 210.00	C 220.00	C 230.00	C 240.00	C 250.00
G 0.0	14442.50	14442.50	14442.50	14442.50	14442.50	14442.50	14442.50	14442.50	14442.50	14442.50	14442.50	14442.50	14442.50
G 5.0	14059.25	14103.78	14158.91	14224.39	14299.75	14383.21	14467.07	14555.97	14647.98	14739.15	14824.81	14900.44	14960.81
G 10.0	13676.88	13749.41	13838.01	13934.98	14062.12	14211.29	14344.94	14516.23	14701.53	14826.27	14947.34	15090.26	15217.06
G 15.0	13305.77	13363.99	13433.16	13535.59	13690.57	13880.66	14047.55	14206.17	14380.28	14586.76	14767.30	14922.62	15101.07
G 20.0	12724.29	12936.60	12924.49	12967.03	13128.97	13323.39	13504.26	13688.37	13865.66	14025.27	14202.40	14424.78	14680.01
G 25.0	10963.30	11887.54	12138.67	12150.09	12212.43	12407.04	12591.59	12784.39	12992.09	13196.75	13357.58	13522.60	13788.94
G 30.0	6603.99	9762.80	10884.54	10822.85	10780.23	10950.26	11183.49	11476.89	11821.01	12135.21	12184.75	12139.45	12429.32
G 35.0	2157.14	5005.85	8249.86	8612.07	8807.06	8834.26	9137.14	9620.85	10174.67	10585.17	10730.40	10782.40	10878.36
G 40.0	1116.87	2379.45	5168.91	6314.25	6386.12	6387.28	6727.36	7354.64	8102.48	8796.68	9132.02	8987.67	8608.11
G 45.0	735.47	1224.06	2632.88	3791.01	4115.44	4150.22	4469.40	5085.55	5893.74	6823.55	7172.85	6701.74	5909.36
G 50.0	569.66	654.58	1163.70	2127.94	2558.98	2670.98	2924.20	3365.16	3994.79	4840.65	4951.76	4142.80	3267.08
G 55.0	450.47	488.85	770.97	1391.96	1805.37	1907.13	2088.86	2368.37	2767.94	3214.79	2835.61	1919.39	1744.73
G 60.0	419.71	435.72	585.32	1062.43	1448.76	1593.40	1715.33	1878.52	2072.98	2209.37	1964.27	1555.78	1596.61
G 65.0	433.94	451.69	485.17	877.90	1244.81	1419.46	1531.29	1626.49	1695.25	1696.84	1535.14	1373.51	1525.44
G 70.0	470.02	483.33	512.63	778.95	1082.04	1302.68	1442.75	1516.11	1495.48	1368.98	1274.67	1295.58	1423.93
G 75.0	580.46	554.08	531.86	722.69	983.46	1226.46	1428.73	1509.45	1468.06	1403.30	1339.15	1214.59	1017.44
G 80.0	798.10	734.31	679.75	777.90	954.97	1182.24	1450.55	1603.10	1608.59	1594.26	1555.97	1396.91	1104.68
G 85.0	1393.65	1295.27	1189.55	1167.64	1202.51	1382.04	1764.94	2083.95	2230.56	2347.78	2395.32	2312.34	2059.24
G 90.0	8398.01	7704.19	7447.70	7314.41	7253.89	8459.37	9625.94	11026.18	11903.12	12823.86	13295.74	13412.63	13487.18

Luminaire

Code 05-4394-AHM1V1U

Name Aplique gris 2 leds

Measur.

Code 05-4394-AH-M1

Name Aplique gris 2 leds

Luminaire Flux	238.87 lm	Luminaire Power	6.30 W	Efficacy	37.92 lm/W	Efficiency	100.00%
Lamps Flux	238.87 lm	Maximum value	430.93 cd/klm	Position	C=270.00 G=10.00	CG	Sym. on planes 270-90

Luminance cd/m2 Table 3/3

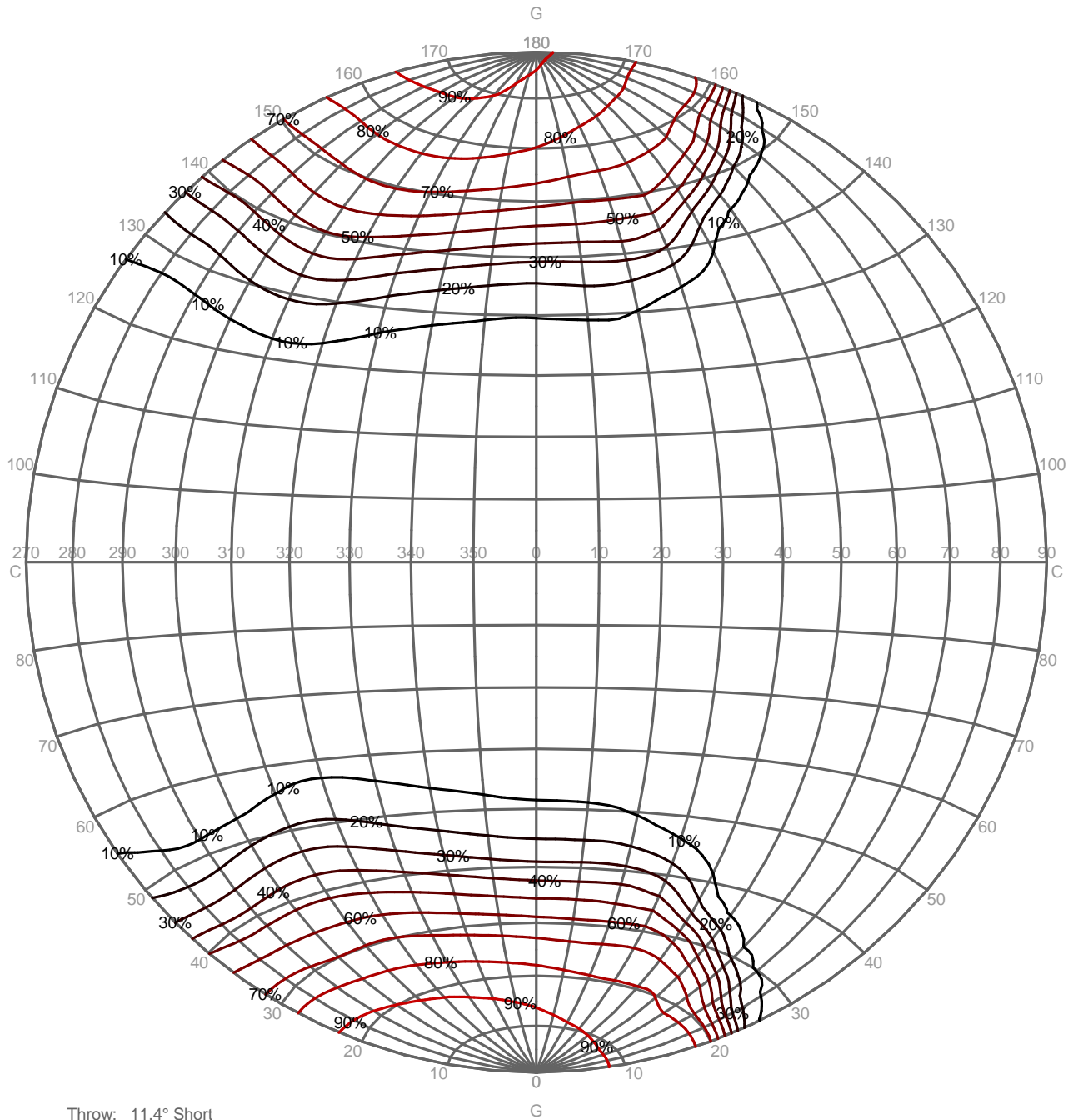
	C 260.00	C 270.00	C 280.00	C 290.00	C 300.00	C 310.00	C 320.00	C 330.00	C 340.00	C 350.00
G 0.0	14442.50	14442.50	14442.50	14442.50	14442.50	14442.50	14442.50	14442.50	14442.50	14442.50
G 5.0	14997.25	15014.67	14997.25	14960.81	14900.44	14824.81	14739.15	14647.98	14555.97	14467.07
G 10.0	15297.94	15339.39	15297.94	15217.06	15090.26	14947.34	14826.27	14701.53	14516.23	14344.94
G 15.0	15233.16	15301.24	15233.16	15101.07	14922.62	14767.30	14586.76	14380.28	14206.17	14047.55
G 20.0	14875.44	14993.79	14875.44	14680.01	14424.78	14202.40	14025.27	13865.66	13688.37	13504.26
G 25.0	14076.16	14335.97	14076.16	13788.94	13522.60	13357.58	13196.75	12992.09	12784.39	12591.59
G 30.0	12765.15	12973.33	12765.15	12429.32	12139.45	12184.75	12135.21	11821.01	11476.89	11183.49
G 35.0	11103.26	11598.73	11103.26	10878.36	10782.40	10730.40	10585.17	10174.67	9620.85	9137.14
G 40.0	8795.83	9681.44	8795.83	8608.11	8987.67	9132.02	8796.68	8102.48	7354.64	6727.36
G 45.0	5726.31	6300.12	5726.31	5909.36	6701.74	7172.85	6823.55	5893.74	5085.55	4469.40
G 50.0	3242.71	4101.48	3242.71	3267.08	4142.80	4951.76	4840.65	3994.79	3365.16	2924.20
G 55.0	2095.84	2596.47	2095.84	1744.73	1919.39	2835.61	3214.79	2767.94	2368.37	2088.86
G 60.0	1880.61	2187.66	1880.61	1596.61	1555.78	1964.27	2209.37	2072.98	1878.52	1715.33
G 65.0	1813.46	2091.47	1813.46	1525.44	1373.51	1535.14	1696.84	1695.25	1626.49	1531.29
G 70.0	1656.35	1959.98	1656.35	1423.93	1295.58	1274.67	1368.98	1495.48	1516.11	1442.75
G 75.0	1177.34	1764.96	1177.34	1017.44	1214.59	1339.15	1403.30	1468.06	1509.45	1428.73
G 80.0	1223.68	1860.17	1223.68	1104.68	1396.91	1555.97	1594.26	1608.59	1603.10	1450.55
G 85.0	1579.38	915.51	1579.38	2059.24	2312.34	2395.32	2347.78	2230.56	2083.95	1764.94
G 90.0	10897.35	4147.38	10897.35	13487.18	13412.63	13295.74	12823.86	11903.12	11026.18	9625.94

Luminaire
 Code 05-4394-AHM1V1U
 Name Applique gris 2 leds
Measurment.
 Code 05-4394-AH-M1
 Name Applique gris 2 leds

Luminaire Flux	238.87 lm	Luminaire Power	6.30 W	Efficacy	37.92 lm/W	Efficiency	100.00%
Lamps Flux	238.87 lm	Maximum value	430.93 cd/klm	Position	C=270.00 G=10.00	CG	Sym. on planes 270-90

PERCENTAGE ISOCANDLES

Projection: Equal Area SLI 10.4 Tight Tilting Angle:0°



LEDS C4⁹

Luminaire

Code 05-4394-AHM1V1U
 Name Aplique gris 2 leds

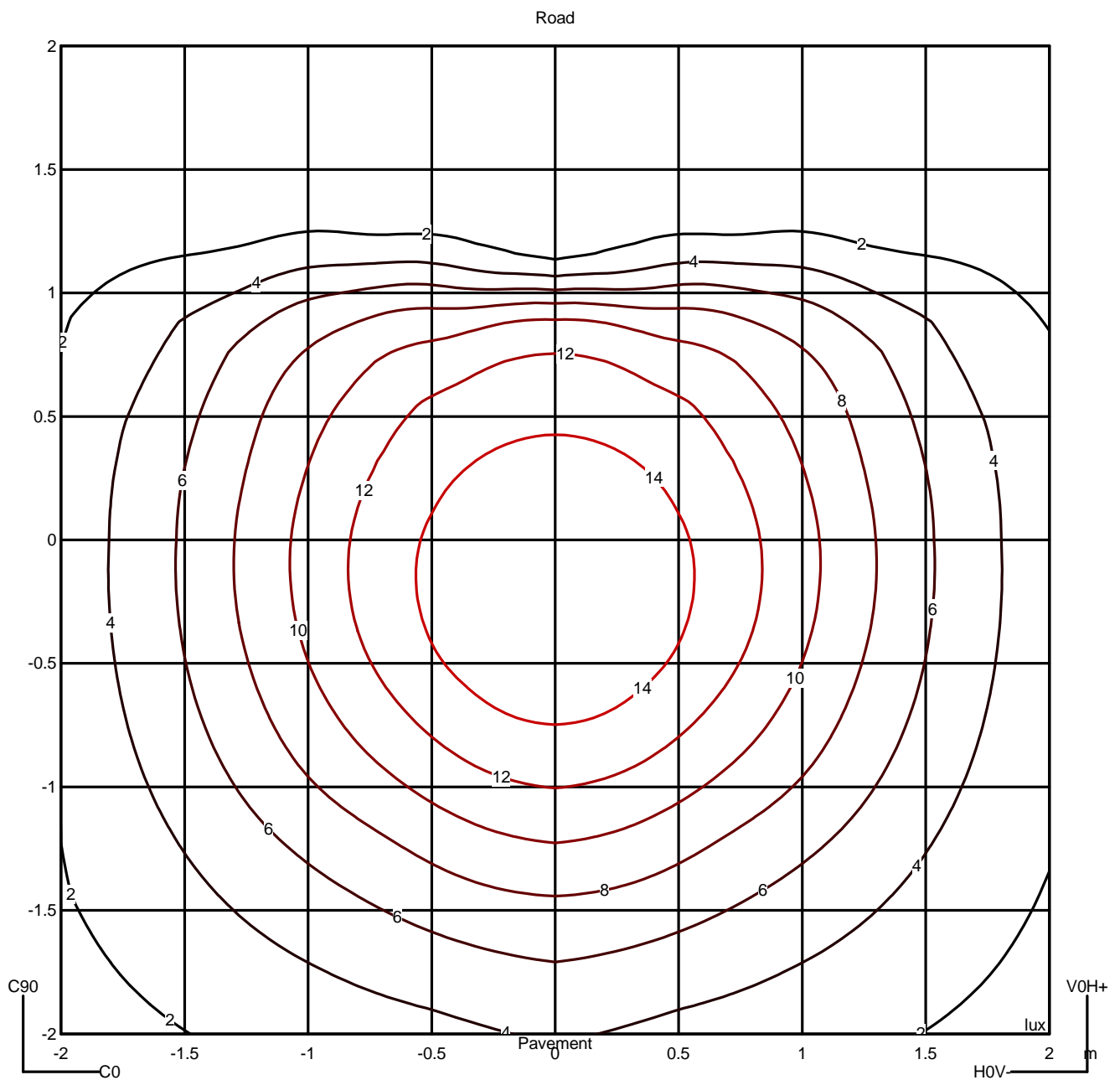
Measur.

Code 05-4394-AH-M1
 Name Aplique gris 2 leds

Luminaire Flux	238.87 lm	Luminaire Power	6.30 W	Efficacy	37.92 lm/W	Efficiency	100.00%
Lamps Flux	238.87 lm	Maximum value	430.93 cd/klm	Position	C=270.00 G=10.00	CG	Sym. on planes 270-90

Isolux (Floor)

Luminaire position X=0.00m Y=0.00m Z=2.50m



LEDS C4

Luminaire

Code 05-4394-AHM1V1U
Name Aplique gris 2 leds

Measur.

Code 05-4394-AH-M1
Name Aplique gris 2 leds

Luminaire Flux	238.87 lm	Luminaire Power	6.30 W	Efficacy	37.92 lm/W	Efficiency	100.00%
Lamps Flux	238.87 lm	Maximum value	430.93 cd/klm	Position	C=270.00 G=10.00	CG	Sym. on planes 270-90

		Average Luminance [cd/m ²]									
		45°	50°	55°	60°	65°	70°	75°	80°	85°	
0.0°	4150	2671	1907	1593	1419	1303	1226	1182	1382	---	
90.0°	551	410	397	430	493	484	657	856	1480	---	

Flush mounted or longitudinal view												
		Illumination(lx)										
A	A	2000	1000	750	500		<300				1.15	
B	1		2000	1500	1000	750	500	<300			1.5	
C					2000		1000	500	<300		1.85	
D	2						2000	1000	500	<300	2.2	
E	3							2000	1000	500	<300	2.55

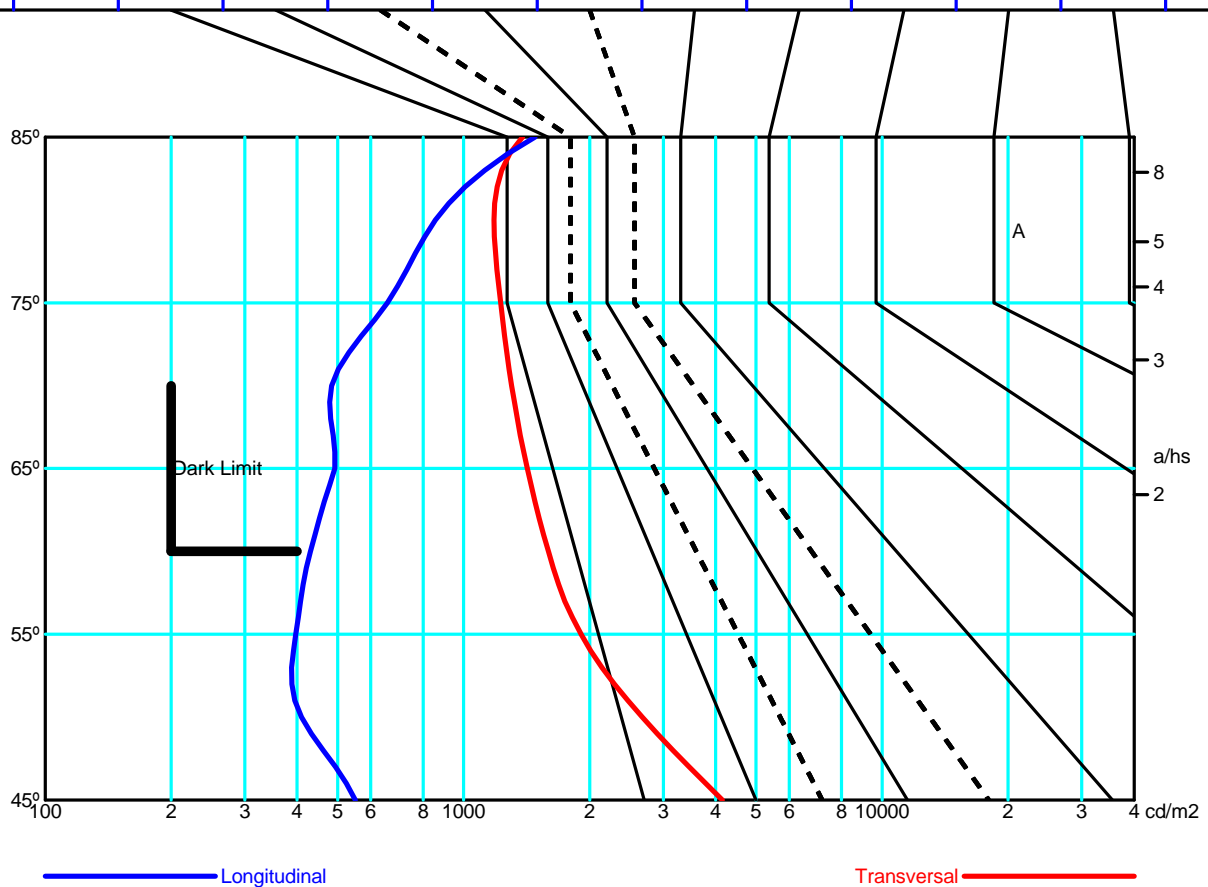
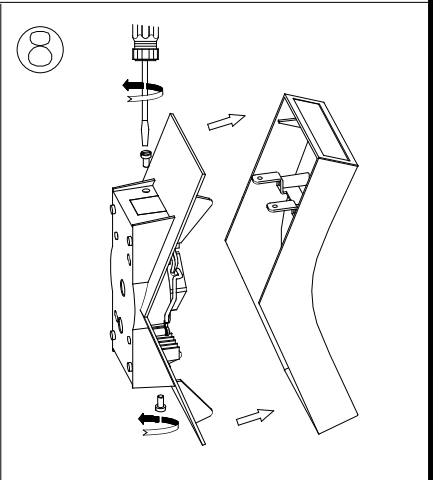
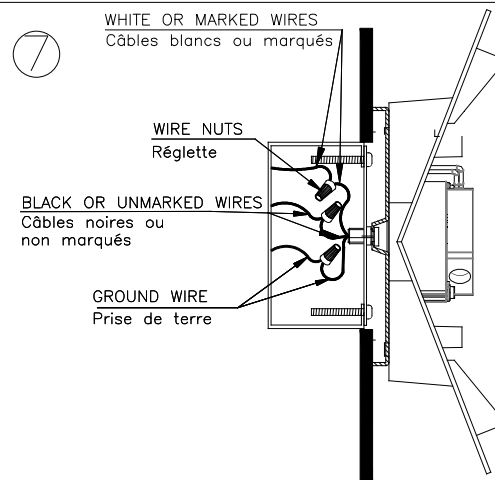
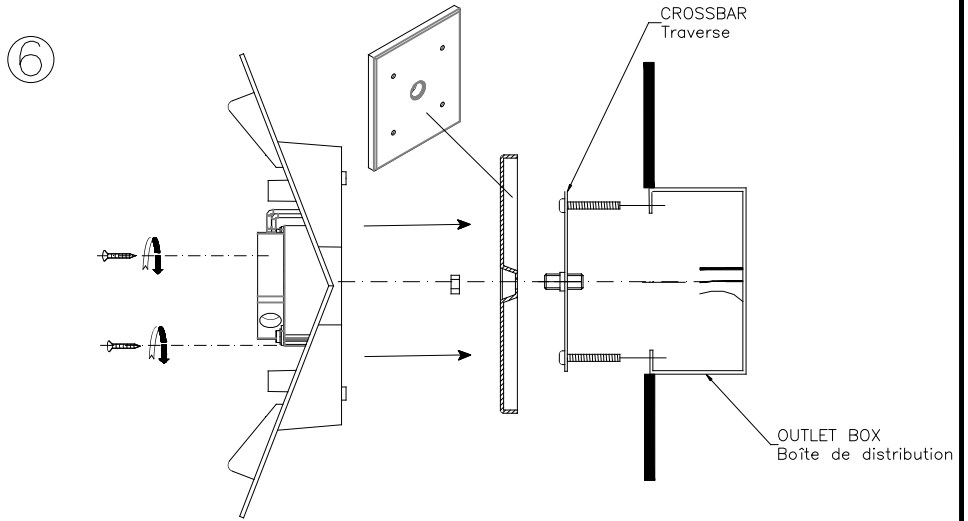
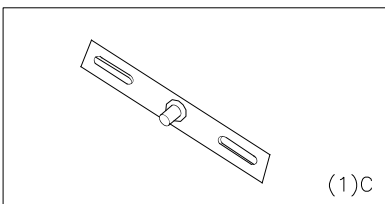
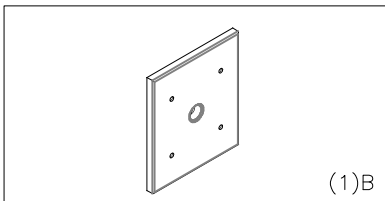
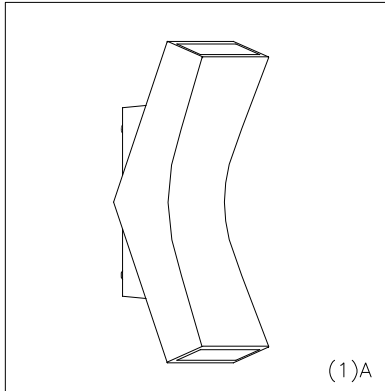


FIGURE N° 1. UNPACK THE FIXTURE: CHECK THE CONTENTS OF THE BOX. YOU SHOULD RECEIVE:

FIGURE N° 1. DÉBALLER LE PLAFONIER: VÉRIFIER LE CONTENU DU CARTON, VOUS DEVEZ RECEVOIR:

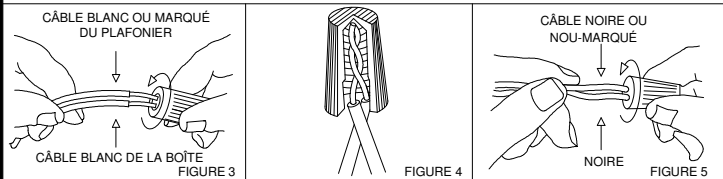
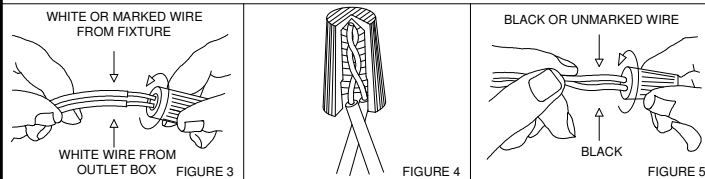


INSTALLATION INSTRUCTIONS FOR HANGING FIXTURES

INSTRUCTIONS D'INSTALLATION POUR PLAFONNIERS

FIGURE 3, 4 AND 5 MOUNTING HARDWARE.
NOTE: TEST THE CONNECTOR BY GENTLY PULLING IT. IF IT PULLS OUT THE CONNECTION, TRY AGAIN TILL YOU HAVE A FIRM CONNECTION. MAKE SURE NO BARE STRANDS OF WIRE STICK OUT FROM UNDER THE CONNECTORS.

FIGURE 3, 4 ET 5 MONTAGE DE L'ÉQUIPE.
IMPORTANT: ESSAYER DE TIRER LE CÂBLE D'ALIMENTATION DOUCEMENT.S'IL SORT DE LA CONNECTION, IL FAUDRAIT ASSURER QUE LA CONNECTION SOIT FERME. S'ASSURER QUE LES FILS DES CÂBLES NE SONT PAS À DÉCOUVERT DU CONNECTEUR.



CAUTION:
"Warning", "This product is to be installed by a qualified electrician only."

ATTENTION:
"Attention", le raccordement électrique sera effectué par un technicien électrique qualifié

"Suitable for dry locations only"

"Adéquat seulement en lieux secs."

CAUTION:
1.- Wrong lighting installation can be dangerous for your safety.
2.- Before starting, disconnect the power by turning off the general switch of the electric installation.
3.- Install light bulbs (not provided) that must not exceed markings on the fixture.
4.- To change the bulbs, disconnect the power by turning off the general switch and wait for the bulbs cool down.

ATTENTION:
1. Une mauvaise installation peut compromettre votre sécurité.
2. Déconnecter la tension du réseau d'alimentation avant de réaliser toute opération.
3. Installer les ampoules (non fournies), ne pas utiliser d'ampoules d'un autre type ou d'une puissance supérieure à celle indiquée sur l'étiquette de la lampe.
4. Pour changer les ampoules, déconnecter la tension du réseau d'alimentation et laisser refroidir les ampoules.

INSTALLATION:
1.- Make electrical connections, carefully read the Electrical Connection section.
2.- Assemble lighting onto the outlet box as shown on fig. 6, & 7.

INSTALLATION:
1. Connecter au réseau, lire attentivement la section de "Raccordements électriques"
2. Installer l'appareil à la boîte de distribution comme indiqué dans les dessins 6 et 7.

ELECTRICAL CONNECTIONS: (See fig. 3,4 y 5)
1.- Connect the white wire from the fixture to the white wire of the electric installation.
2.- Connect the black wire from the fixture to the black wire of the electric installation.
3.- Connect the grounding conductor from the fixture to the grounding wire of the electric installation.
4.- Spread out the electrical wires so that the black ones are on one side of the outlet box and the white ones are on the other side, and carefully introduce them into the outlet box.

RACCORDEMENTS ÉLECTRIQUES (dessins 3,4 et 5)
1. Connecter le câble blanc de l'appareil au câble blanc de l'installation électrique.
2. Connecter le câble noir de l'appareil au câble noir de l'installation électrique.
3. Connecter le câble conducteur de prise de terre au câble de prise de terre de l'installation électrique.
4. Distribuer les câbles pour que tout le câblage noir soit par dehors et le câblage blanc soit par dedans. Ajuster et immobiliser à la boîte sans coincer aucun câble.