

05-3220-34-34U

V0

KUB Wall fixture

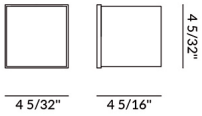


Description

For uplighting. Structure material: Aluminium, Aluminium. Structure finish: Grey. Warranty: 5 Years.

Finish
Grey

Material
Aluminium
Aluminium



TECHNICAL CHARACTERISTICS

Light source

Light source: LED CREE
Output (W): 4.3W
Total power consumption (W): 5.4 W
Color temperature: LED warm-white
3000K
CRI: 80
Photobiological risk: RG2
Qty Leds: 4
Bin / Grup: 7C1 o 7B4

GEAR

Brand: HEP
Gear included: Yes, electronic
Power Factor: 0.54

Luminaire

Warranty: 5 Years

Logistics

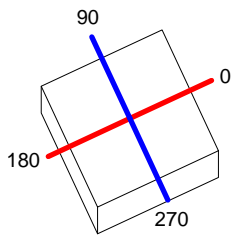
Energy Efficiency: NA
EAN Code: 8435381431969
Net Weight (Lb): 0
Packing: 130 x 130 x 130

The photograph may not match the reference exactly. Please read the product description to identify the finish.

Luminaire		Measur.		Lamp		
Code	05-3220	Code	05-3220	Code	LED	
Name	LED WALL LIGHT	Name	LED WALL LIGHT	Number	1	
Line	Eulumdat	Date	22-05-2014	Position		
Efficiency	59.61%	Coordinate system	CG	Total Flux	455.00 lm	
Maximum value	76.52 cd	Position	C=90.00 G=81.00	Asymmetrical		
Rectangular Luminaire	Length	100 mm	Width	100 mm	Height	100 mm
Rectangular Luminous Area	Length	100 mm	Width	100 mm	Height	100 mm
Horizontal Luminous Area	0.010000 m2	Emitting area on Plane 180°		0.010000 m2		
Emitting area on Plane 0°	0.010000 m2	Emitting area on Plane 270°		0.010000 m2		
Emitting area on Plane 90°	0.010000 m2	Glare area at 76°		0.012122 m2		
Symmetry Type	Asymmetrical	Maximum Gamma Angle		180		
Measurement Distance	0.00	Measurement Flux		455.00 lm		
Operator		Source voltage				
Temperature	25.00 °C	Source current				
Humidity	60.00 %	Photocell				
Notes						

Line		Luminaire Lamps			Flux [lm]	Pow. [W]	Q.ty
Eulumdat	Code	Name					
	LED	LED - 5.60 W			455.00	5.60	1
C.I.E.	20 45 73 75 60	D DIN 5040	B11				
F UTE	0.45 J + 0.15 T	B NBN	BZ 9				

100mm x 100mm



C Halfplanes

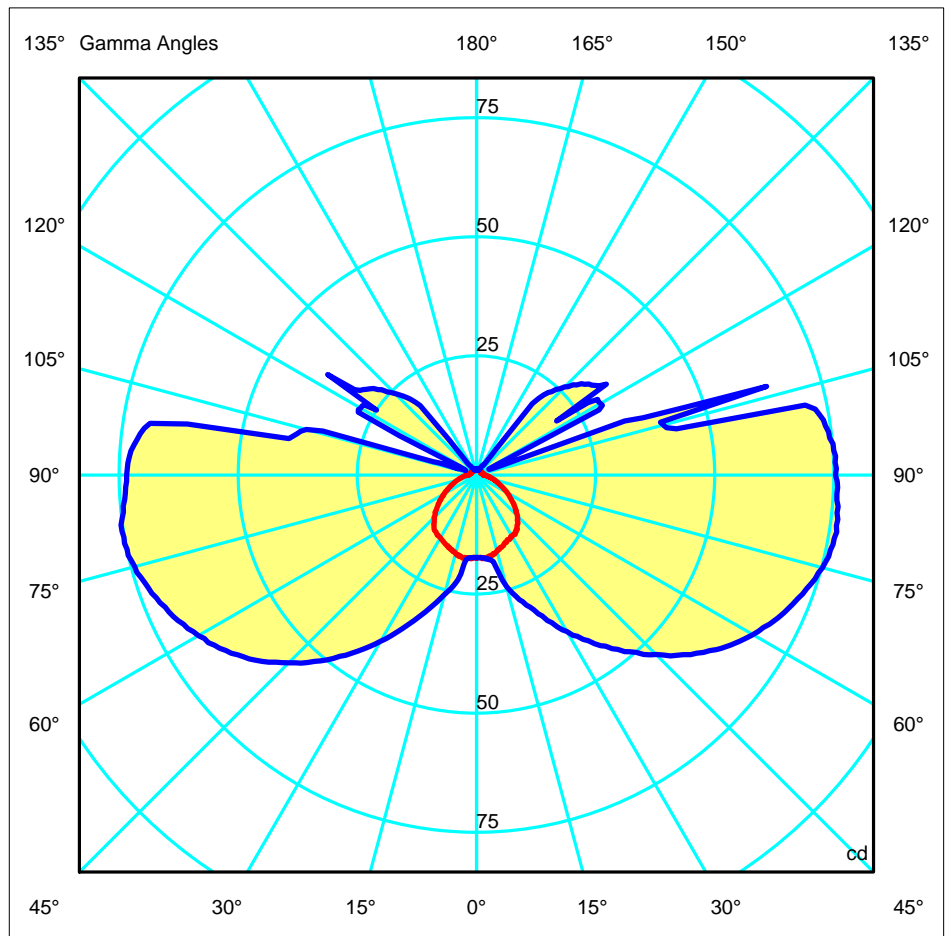
180.0 — 0.0

270.0 — 90.0

ULOR 14.94 %

DLOR 44.67 %

RN 25.06 %

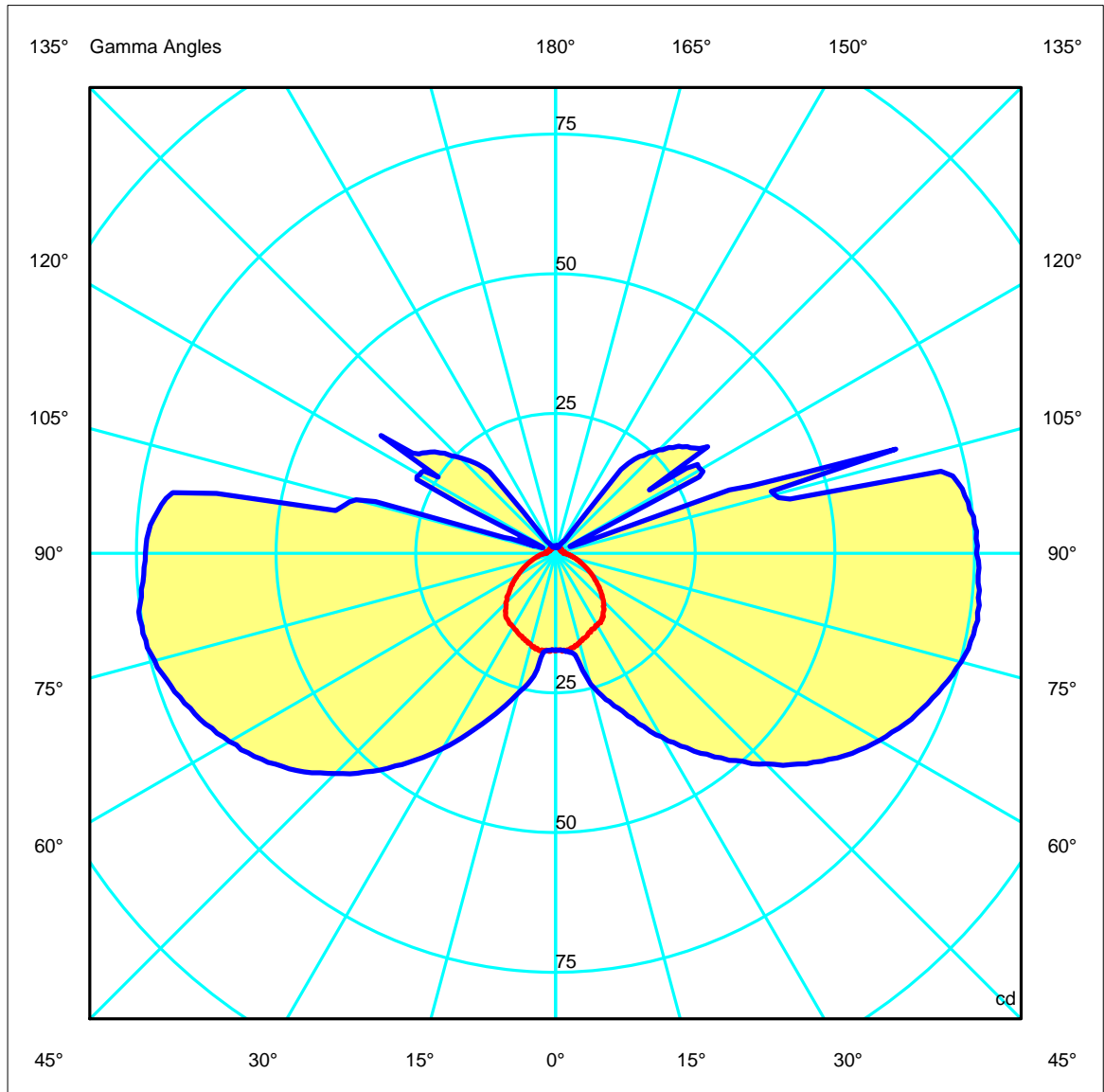
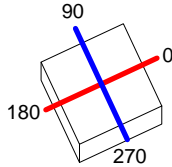


Luminaire		Measur.		Lamp	
Code	05-3220	Code	05-3220	Code	LED
Name	LED WALL LIGHT	Name	LED WALL LIGHT	Number	1
Line	Eulumdat	Date	22-05-2014	Position	
Efficiency	59.61%	Coordinate system	CG	Total Flux	455.00 lm

100mm x 100mm

C Halfplanes

180.0 ——— 0.0
 270.0 ——— 90.0



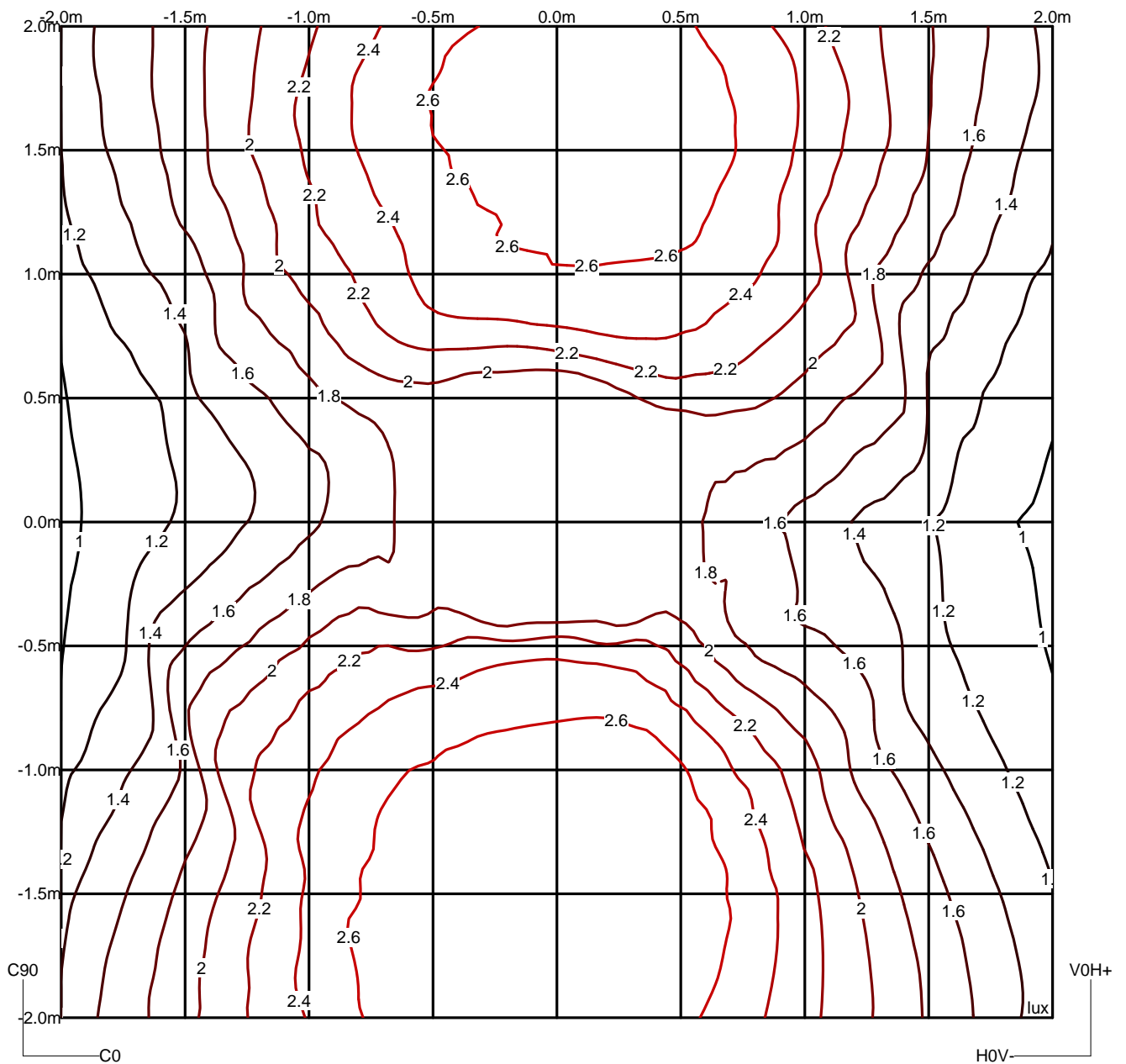
Luminaire		Measur.		Lamp		
Code	05-3220	Code	05-3220	Code	LED	
Name	LED WALL LIGHT	Name	LED WALL LIGHT	Number	1	
Line	Eulmdat	Date	22-05-2014	Position		
Efficiency		59.61%	Coordinate system	CG	Total Flux	455.00 lm

Could not find 90270 right beam angle•gamma0180=0

Luminaire		Measur.		Lamp	
Code	05-3220	Code	05-3220	Code	LED
Name	LED WALL LIGHT	Name	LED WALL LIGHT	Number	1
Line	Eulumdat	Date	22-05-2014	Position	
Efficiency	59.61%	Coordinate system	CG	Total Flux	455.00 lm

Isolux (Floor)

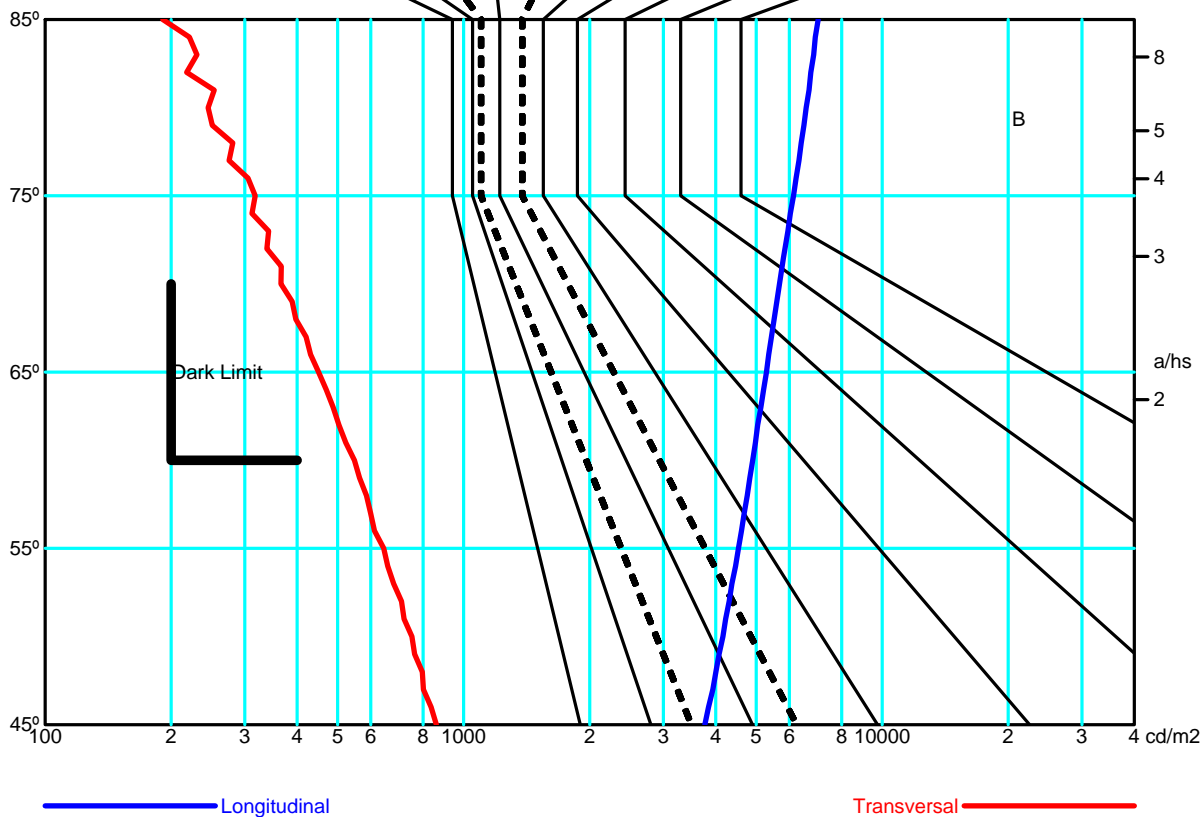
Luminaire position X=0.00m Y=0.00m Z=3.00m



Luminaire		Measur.		Lamp	
Code	05-3220	Code	05-3220	Code	LED
Name	LED WALL LIGHT	Name	LED WALL LIGHT	Number	1
Line	Eulumdat	Date	22-05-2014	Position	
Efficiency	59.61%	Coordinate system	CG	Total Flux	455.00 lm

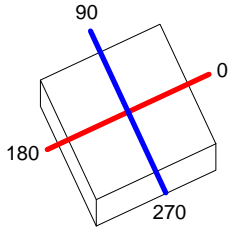
		Average Luminance [cd/m ²]										
		0.0°	45°	50°	55°	60°	65°	70°	75°	80°	85°	
90.0°	0.0°	861	752	644	548	450	366	318	245	191	---	
	90.0°	3767	4162	4534	4903	5288	5685	6137	6582	7031	---	

Flush mounted or transversal view												
		Illumination(lx)										
A	A	2000	1000	750	500		<300				1.15	
B	1		2000	1500	1000	750	500	<300			1.5	
C					2000		1000	500	<300		1.85	
D	2						2000	1000	500	<300	2.2	
E	3							2000	1000	500	<300	2.55



Luminaire		Measur.		Lamp	
Code	05-3220	Code	05-3220	Code	LED
Name	LED WALL LIGHT	Name	LED WALL LIGHT	Number	1
Line	Eulumdat	Date	22-05-2014	Position	
Efficiency	59.61%	Coordinate system	CG	Total Flux	455.00 lm

100mm x 100mm



C Halfplanes

180.0 ——— 0.0
 270.0 ——— 90.0



Luminaire		Measur.		Lamp	
Code	05-3220	Code	05-3220	Code	LED
Name	LED WALL LIGHT	Name	LED WALL LIGHT	Number	1
Line	Eulumdat	Date	22-05-2014	Position	
Efficiency	59.61%	Coordinate system	CG	Total Flux	455.00 lm

UGR
S = 0.250

Reflectancies										
Ceiling/Cavity	0.7	0.7	0.5	0.5	0.3	0.7	0.7	0.5	0.5	0.3
Walls	0.5	0.3	0.5	0.3	0.3	0.5	0.3	0.5	0.3	0.3
WorkingPlane	0.2	0.2	0.2	0.2	0.2	0.2	0.2	0.2	0.2	0.2
RoomDimensions	ViewedCrosswise					ViewedEndwise				
x=2H y=2H	6.6	7.9	7.2	8.5	20.2	17.4	18.7	18.1	19.4	20.2
x=2H y=3H	7.3	8.5	8.0	9.2	23.5	20.8	22.0	21.5	22.7	23.5
x=2H y=4H	7.6	8.8	8.3	9.5	25.2	22.5	23.6	23.2	24.4	25.2
x=2H y=6H	7.9	9.0	8.6	9.7	26.8	24.2	25.2	24.9	26.0	26.8
x=2H y=8H	8.0	9.1	8.7	9.8	27.6	25.0	26.0	25.7	26.7	27.6
x=2H y=12H	8.1	9.1	8.9	9.9	28.3	25.7	26.7	26.5	27.5	28.3
x=4H y=2H	11.0	12.1	11.6	12.8	20.3	17.6	18.8	18.3	19.5	20.3
x=4H y=3H	11.6	12.6	12.3	13.3	24.0	21.4	22.4	22.1	23.1	24.0
x=4H y=4H	11.8	12.7	12.5	13.5	25.9	23.3	24.2	24.0	25.0	25.9
x=4H y=6H	12.0	12.8	12.7	13.6	27.8	25.3	26.1	26.0	26.9	27.8
x=4H y=8H	12.0	12.8	12.8	13.6	28.7	26.2	27.0	26.9	27.7	28.7
x=4H y=12H	12.1	12.8	12.9	13.6	29.5	27.1	27.8	27.9	28.6	29.5
x=8H y=4H	15.3	16.0	16.0	16.8	25.9	23.4	24.2	24.2	25.0	25.9
x=8H y=6H	15.6	16.2	16.4	17.0	28.1	25.6	26.3	26.4	27.1	28.1
x=8H y=8H	15.6	16.2	16.4	17.1	29.2	26.8	27.4	27.6	28.2	29.2
x=8H y=12H	15.7	16.2	16.5	17.1	30.3	27.9	28.5	28.7	29.3	30.3
x=12H y=4H	16.3	17.0	17.1	17.8	25.8	23.4	24.1	24.2	24.9	25.8
x=12H y=6H	17.0	17.6	17.8	18.4	28.0	25.6	26.2	26.4	27.1	28.0
x=12H y=8H	17.2	17.7	18.0	18.5	29.2	26.9	27.4	27.7	28.2	29.2

Luminaire		Measur.		Lamp	
Code	05-3220	Code	05-3220	Code	LED
Name	LED WALL LIGHT	Name	LED WALL LIGHT	Number	1
Line	Eulumdat	Date	22-05-2014	Position	
Efficiency	59.61%	Coordinate system	CG	Total Flux	455.00 lm

Total Flux=455.00 Luminaire Flux=271.21

RI	0.60	0.80	1.00	1.25	1.50	2.00	2.50	3.00	4.00	5.00	10.00	20.00
DRR	0.13	0.18	0.23	0.29	0.34	0.42	0.49	0.54	0.61	0.66	0.78	0.87
RC	10	10	10	10	10	10	10	10	10	10	9	9

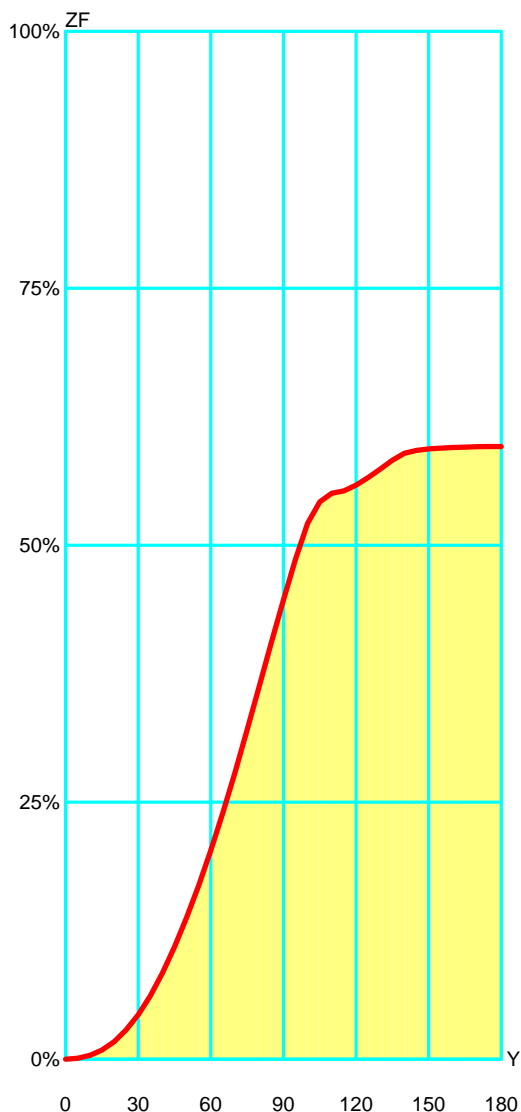
Zonal Flux per 1000 Lumen

Y°	10	20	30	40	50	60	70	80	90	100	110	120	130	140	150	160	170	180
ZF(Y)	4	17	43	84	138	203	279	363	447	521	551	558	574	590	594	595	596	596

CIE Flux Codes

20 45 73 75 60

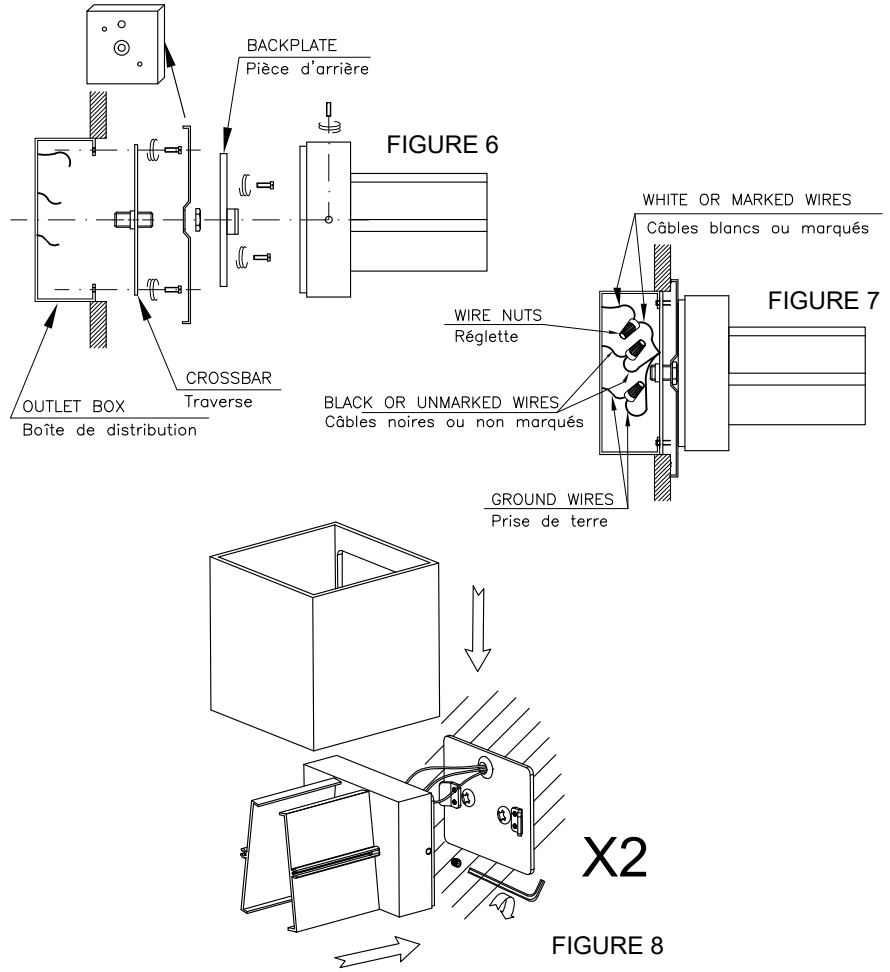
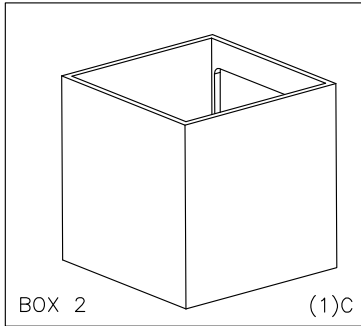
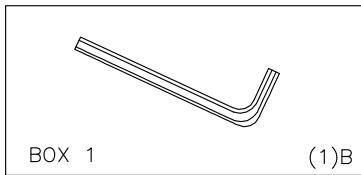
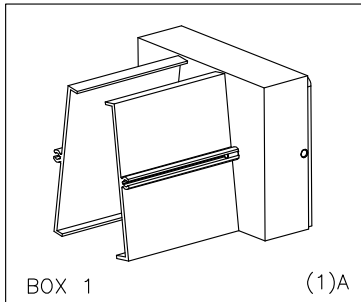
C.I.E.	10/10/10/10/10/10/10/10/10/9/9	LOR	59.60725 %
D DIN 5040	B11	ULOR	14.93915 %
F UTE	0.45 J + 0.15 T	DLOR	44.66809 %
B NBN	BZ 9	UFF	25.06265 %
RN	25.06265 %	DFF	74.93735 %
BLF	1.0	FFR	33.44480 %



Zonal Flux				
Gamma °	Flux	Sum lm	Flux [%]	Sum [%]
0°	0.00	0.00	0.00%	0.00%
5°	0.91	0.91	0.15%	0.15%
10°	2.81	3.73	0.47%	0.63%
15°	5.20	8.92	0.87%	1.50%
20°	8.14	17.06	1.37%	2.86%
25°	11.38	28.44	1.91%	4.77%
30°	14.82	43.26	2.49%	7.26%
35°	18.30	61.56	3.07%	10.33%
40°	22.16	83.72	3.72%	14.04%
45°	25.77	109.49	4.32%	18.37%
50°	28.36	137.85	4.76%	23.13%
55°	31.21	169.05	5.24%	28.36%
60°	34.07	203.12	5.72%	34.08%
65°	36.79	239.91	6.17%	40.25%
70°	39.29	279.20	6.59%	46.84%
75°	41.06	320.26	6.89%	53.73%
80°	42.56	362.82	7.14%	60.87%
85°	42.41	405.23	7.12%	67.98%
90°	41.45	446.68	6.95%	74.94%
95°	40.09	486.77	6.73%	81.66%
100°	34.51	521.28	5.79%	87.45%
105°	20.96	542.24	3.52%	90.97%
110°	8.32	550.55	1.40%	92.36%
115°	2.40	552.95	0.40%	92.77%
120°	5.51	558.46	0.92%	93.69%
125°	7.46	565.92	1.25%	94.94%
130°	8.21	574.13	1.38%	96.32%
135°	8.59	582.72	1.44%	97.76%
140°	6.78	589.50	1.14%	98.90%
145°	2.84	592.34	0.48%	99.37%
150°	1.31	593.65	0.22%	99.59%
155°	0.85	594.50	0.14%	99.74%
160°	0.56	595.06	0.09%	99.83%
165°	0.44	595.50	0.07%	99.90%
170°	0.32	595.82	0.05%	99.96%
175°	0.19	596.01	0.03%	99.99%
180°	0.06	596.07	0.01%	100.00%

FIGURE N° 1. UNPACK THE FIXTURE: CHECK THE CONTENTS OF THE BOX. YOU SHOULD RECEIVE:

FIGURE N° 1. DÉBALLER LE PLAFONNIER: VÉRIFIER LE CONTENU DU CARTON, VOUS DEVEZ RECEVOIR:



INSTALLATION INSTRUCTIONS FOR HANGING FIXTURES

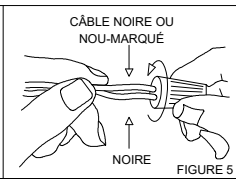
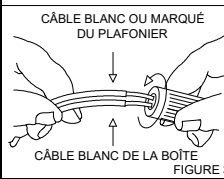
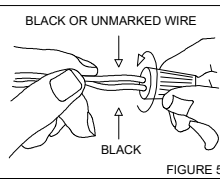
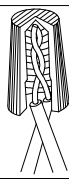
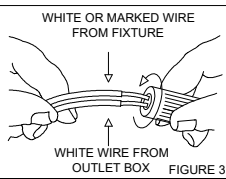
INSTRUCTIONS D'INSTALLATION POUR PLAFONNIERS

FIGURE 3, 4 AND 5 MOUNTING HARDWARE.

NOTE: TEST THE CONNECTOR BY GENTLY PULLING IT. IF IT PULLS OUT THE CONNECTION, TRY AGAIN TILL YOU HAVE A FIRM CONNECTION. MAKE SURE NO BARE STRANDS OF WIRE STICK OUT FROM UNDER THE CONNECTORS.

FIGURE 3, 4 ET 5 MONTAGE DE L'ÉQUIPE.

IMPORTANT: ESSAYER DE TIRER LE CÂBLE D'ALIMENTATION DOUCEMENT. S'IL SORT DE LA CONNECTION, IL FAUDRAIT ASSURER QUE LA CONNECTION SOIT FERME. S'ASSURER QUE LES FILS DES CÂBLES NE SONT PAS À DÉCOUVERT DU CONNECTEUR.



CAUTION:

"Warning", "This product is to be installed by a qualified electrician only."

"Suitable for dry locations only"

ATTENTION:

"Attention", le raccordement électrique sera effectué par un technicien électricien qualifié"

"Adéquat seulement en lieux secs."

CAUTION:

- 1.- Wrong lighting installation can be dangerous for your safety.
- 2.- Before starting, disconnect the power by turning off the general switch of the electric installation.
- 3.- Install light bulbs (not provided) that must not exceed markings on the fixture.
- 4.- To change the bulbs, disconnect the power by turning off the general switch and wait for the bulbs cool down.

INSTALLATION:

- 1.- Make electrical connections, carefully read the Electrical Connection section.
- 2.- Assemble lighting onto the outlet box as shown on fig. 6, & 7.

ELECTRICAL CONNECTIONS: (See fig. 3,4 y 5)

- 1.- Connect the white wire from the fixture to the white wire of the electric installation.
- 2.- Connect the black wire from the fixture to the black wire of the electric installation.
- 3.- Connect the grounding conductor from the fixture to the grounding wire of the electric installation.
- 4.- Spread out the electrical wires so that the black ones are on one side of the outlet box and the white ones are on the other side, and carefully introduce them into the outlet box.

ATTENTION:

1. Une mauvaise installation peut compromettre votre sécurité.
2. Déconnecter la tension du réseau d'alimentation avant de réaliser toute opération.
3. Installer les ampoules (non fournies), ne pas utiliser d'ampoules d'un autre type ou d'une puissance supérieure à celle indiquée sur l'étiquette de la lampe.
4. Pour changer les ampoules, déconnecter la tension du réseau d'alimentation et laisser refroidir les ampoules.

INSTALLATION:

1. Connecter au réseau, lire attentivement la section de "Raccordements électriques"
2. Installer l'appareil à la boîte de distribution comme indiqué dans les dessins 6 et 7.

RACCORDEMENTS ÉLECTRIQUES (dessins 3,4 et 5)

1. Connecter le câble blanc de l'appareil au câble blanc de l'installation électrique.
2. Connecter le câble noir de l'appareil au câble noir de l'installation électrique.
3. Connecter le câble conducteur de prise de terre au câble de prise de terre de l'installation électrique.
4. Distribuer les câbles pour que tout le câblage noir soit par dehors et le câblage blanc soit par dedans. Ajuster et immobiliser à la boîte sans coincer aucun câble.