

Bali with Reader Wall fixture

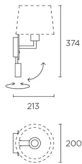
Designer: Manel Llusca



**Description**

Wall fixture Bali E27 60 Satin nickel with Reader LED 2.2 LED warm-white 3000K Satin nickel 125. Shade not included.

	Finish	Material
Structure	Satin nickel	Steel Aluminium



IP20 355° 0° a 90° 8

**TECHNICAL CHARACTERISTICS**

**Light source**

Lampholder: 1 x E27  
 Light source power (W): MAX 60W  
 Luminaire total power (W): 63W  
 Quantity: 1  
 Life Time: 50.000h L80B20  
 Recommended lamp: E27

**Light source**

Light source: LED CREE  
 Light source power (W): 2.1W  
 Luminaire total power (W): 63W  
 Color temperature: LED warm-white 3000K  
 CRI: 80  
 Photobiological risk: RG2  
 Qty Leds: 1  
 Life Time: 50.000h L80B20  
 Bin / Grup: 7C1/7B4  
 MacAdam steps: 3

**GEAR**

Gear included: Yes, electronic  
 Voltage / Frequency:  
 100-240V/50-60Hz

**Luminaire**

Switch: Doble interruptor de encendido  
 Warranty: 5 Years

**Logistics**

Energy Efficiency: A++  
 EAN Code: 8435381412456  
 Net Weight (Kg): 0.95  
 Weight in Kg (packaged): 1.38  
 Packing: 270 x 200 x 200  
 Masterbox: 8

The photograph may not match the reference exactly. Please read the product description to identify the finish.

## OPTIONAL ACCESSORIES

---



### PAN-175-14

Structure material: Steel  
Dimensions: 140 x NA x 120  
Net Weight (Kg): 0.11



### PAN-175-BY

Structure material: Steel  
Dimensions: 140 x NA x 120  
Net Weight (Kg): 0.11



### PAN-177-14

Structure material: Steel  
Dimensions: 150 x 285 x 150  
Net Weight (Kg): 0.18



### PAN-177-BY

Structure material: Steel  
Dimensions: 150 x 285 x 150  
Net Weight (Kg): 0.18



### PAN-157-14

Structure material: Steel  
Dimensions: 200 x NA x 150  
Net Weight (Kg): 0.17



### PAN-157-BY

Structure material: Steel  
Dimensions: 200 x NA x 150  
Net Weight (Kg): 0.17



### PAN-178-14

Structure material: Steel  
Dimensions: 130 x 110 x 130  
Net Weight (Kg): 0.1



### PAN-178-BY

Structure material: Steel  
Dimensions: 130 x 110 x 130  
Net Weight (Kg): 0.1



### PAN-186-20

Shade, beige, pleated, 130x130x110mm

Structure material: Steel  
Net Weight (Kg): 0.15



**PAN-176-14**

Structure material: Steel  
Dimensions: 150 x 285 x 170  
Net Weight (Kg): 0.22



**PAN-176-BY**

Structure material: Steel  
Dimensions: 150 x 285 x 170  
Net Weight (Kg): 0.22



**PAN-198-V7**

Shade, old copper, Ø186mm

Structure material: Steel  
Dimensions: 186 x x 135  
Net Weight (Kg): 0.15



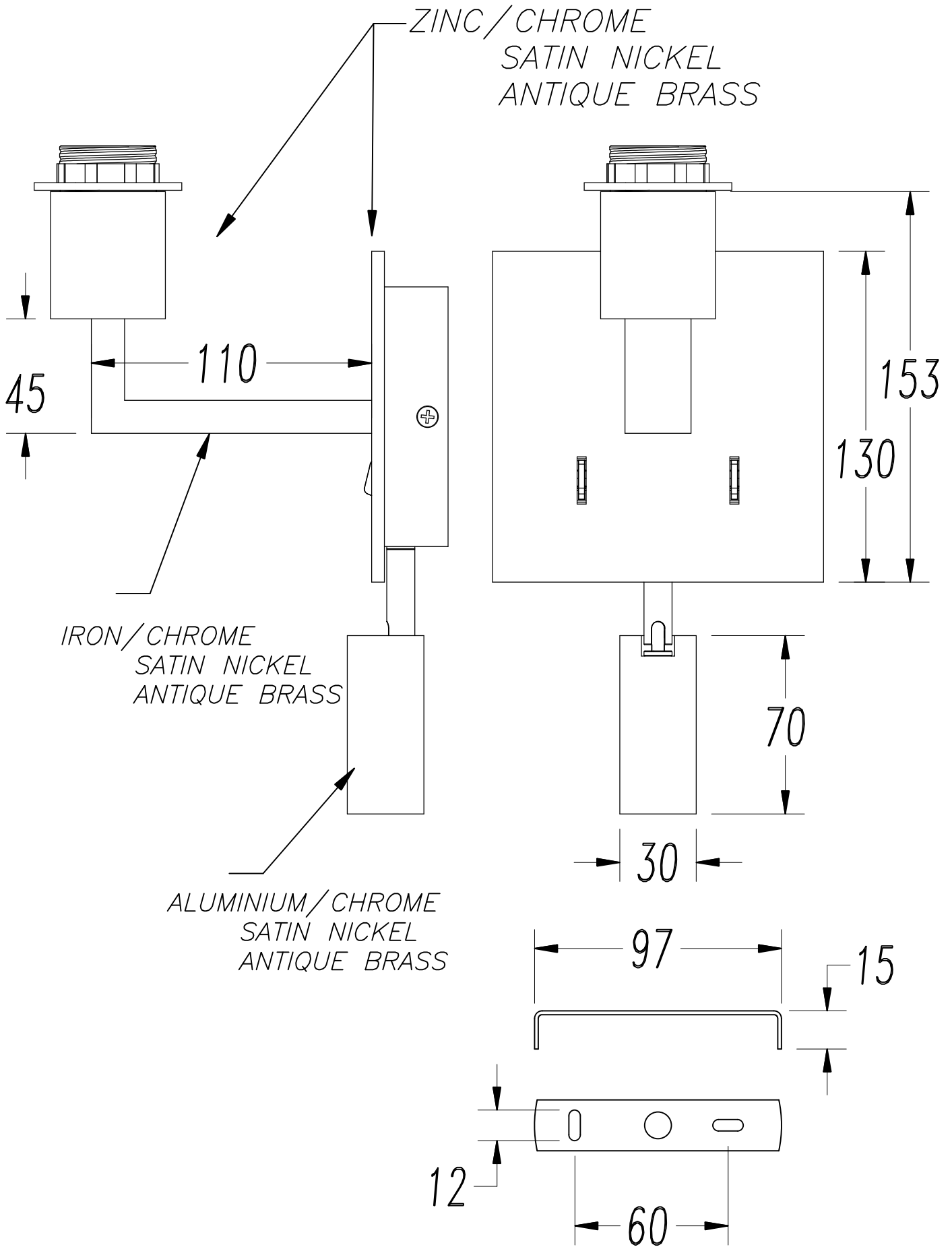
**PAN-219-14**

Structure material: Steel  
Dimensions: 200 x NA x 150  
Net Weight (Kg): 0.18

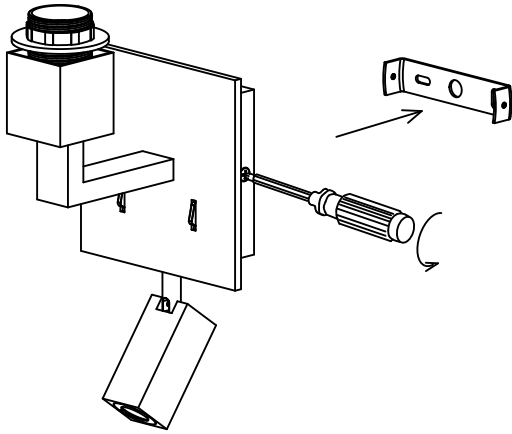


**PAN-219-05**

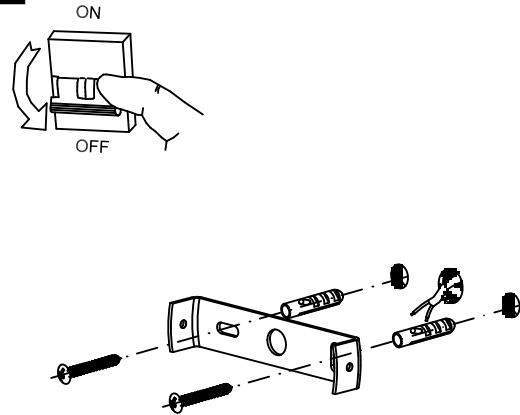
Structure material: Steel  
Dimensions: 200 x NA x 150  
Net Weight (Kg): 0.18



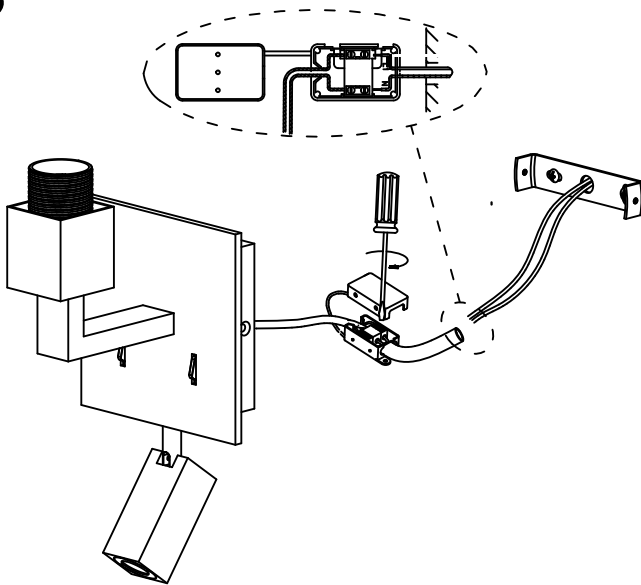
**1**



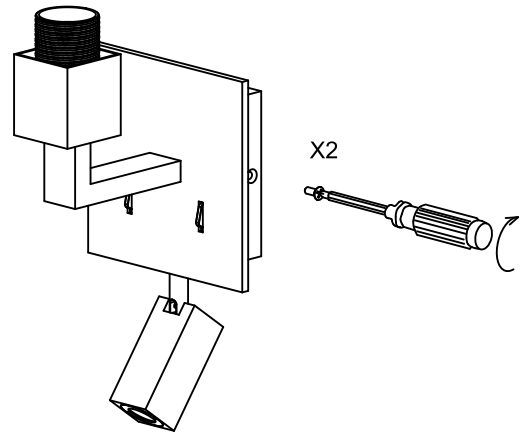
**2**



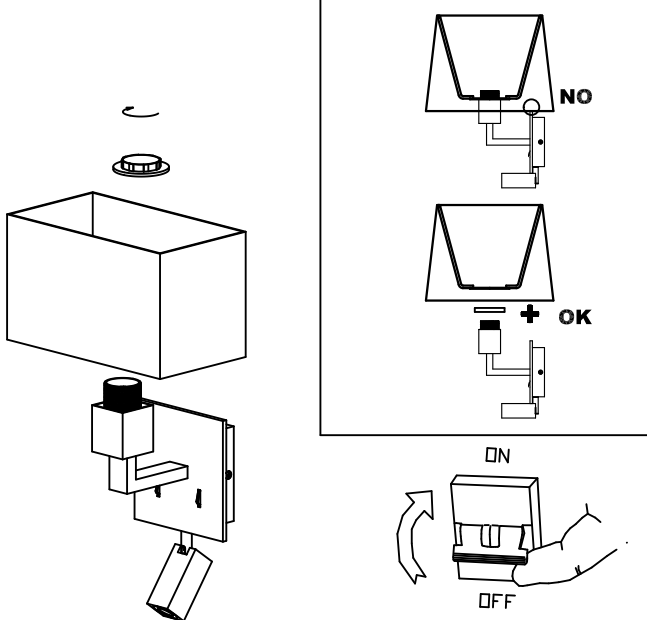
**3**



**4**



**5**



**6**

