



Bali

Manel Llusçà

05-3217-81-82

Wall fixture Bali E27 60 Satin nickel. Shade not included.



TECHNICAL FEATURES

IP20



Power (W) : Max. power 60W

Total power consumption of light (W) : 60W

Structure material : Steel, Aluminium

Structure finish : Satin nickel

Recommended light bulb : E27

Smart Compatible

- 71-8219-00-00: LightForLife

Voltage / frequency : 100-240V/50-60Hz

Warranty : 5 Years

Max. temperature : 25°C

Energy efficiency : Light bulb not included

LUMINOTECHNIC FEATURES

Lampholder: 1 x E27

LOGISTICS

Net weight (kg): 0.72

Packaged weight (kg): 1.02

Packaging: 225mm x 200mm x 200mm



8 Un



PAN-175-14

Structure material: Steel
Dimensions: 140 x NA x 120
Net weight (kg): 0.11



PAN-175-BY

Structure material: Steel
Dimensions: 140 x NA x 120
Net weight (kg): 0.11



PAN-177-14

Structure material: Steel
Dimensions: 150 x 285 x 150
Net weight (kg): 0.18



PAN-177-BY

Structure material: Steel
Dimensions: 150 x 285 x 150
Net weight (kg): 0.18



PAN-157-14

Structure material: Steel
Dimensions: 200 x NA x 150
Net weight (kg): 0.17



PAN-157-BY

Structure material: Steel
Dimensions: 200 x NA x 150
Net weight (kg): 0.17



PAN-219-14

Structure material: Steel
Dimensions: 200 x NA x 150
Net weight (kg): 0.18



PAN-219-05

Structure material: Steel
Dimensions: 200 x NA x 150
Net weight (kg): 0.18



PAN-178-14

Structure material: Steel
Dimensions: 130 x 110 x 130
Net weight (kg): 0.1



PAN-178-BY

Structure material: Steel
Dimensions: 130 x 110 x 130
Net weight (kg): 0.1



PAN-186-20

Shade, beige, pleated, 130x130x110mm

Structure material: Steel
Net weight (kg): 0.15



PAN-176-14

Structure material: Steel
Dimensions: 150 x 285 x 170
Net weight (kg): 0.22



PAN-176-BY

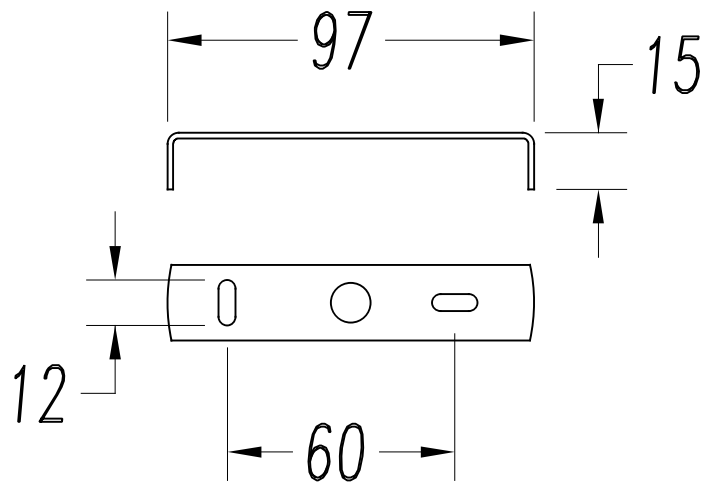
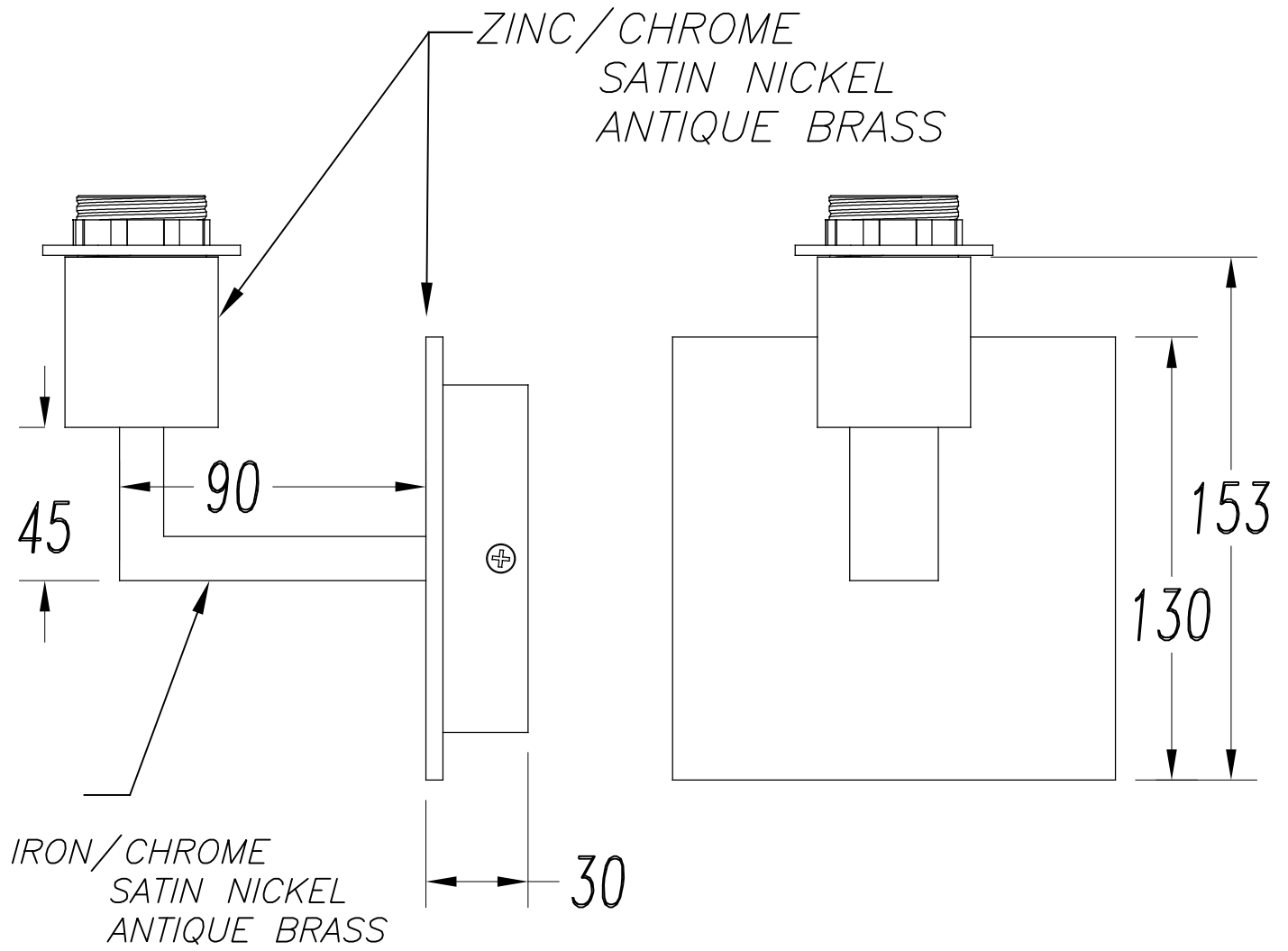
Structure material: Steel
Dimensions: 150 x 285 x 170
Net weight (kg): 0.22



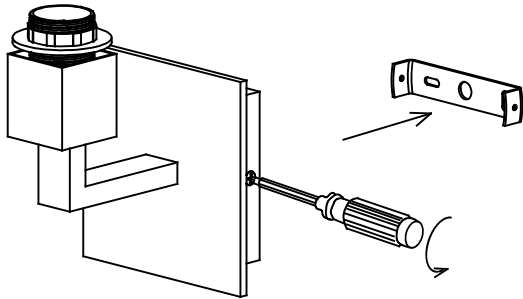
PAN-198-V7

Shade, old copper, Ø186mm

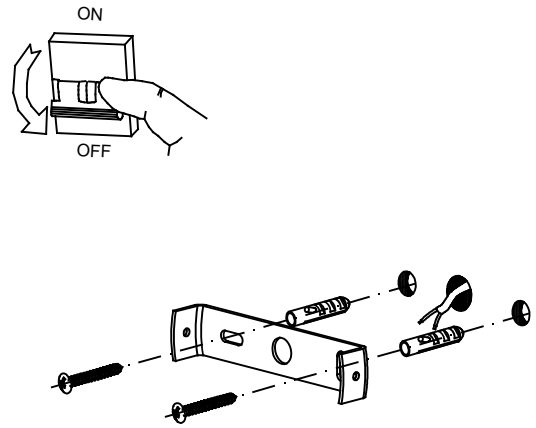
Structure material: Steel
Dimensions: 186 x x 135
Net weight (kg): 0.15



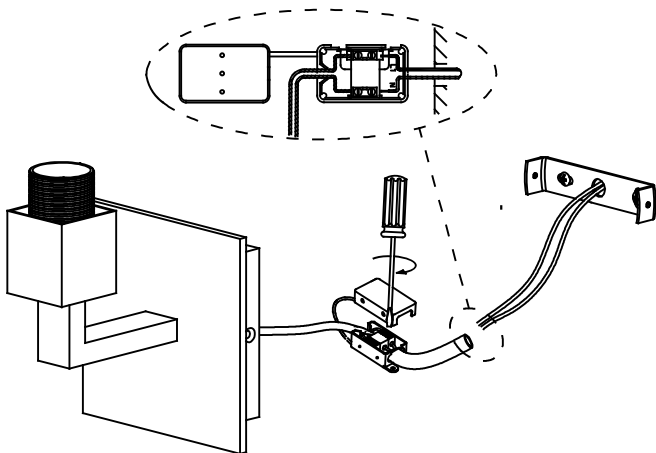
1



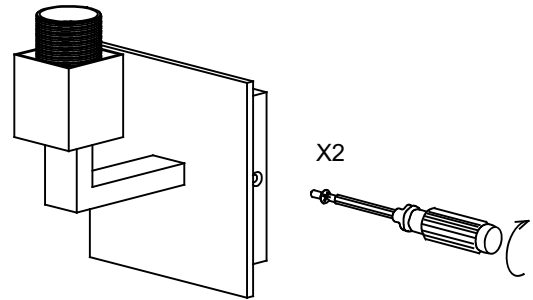
2



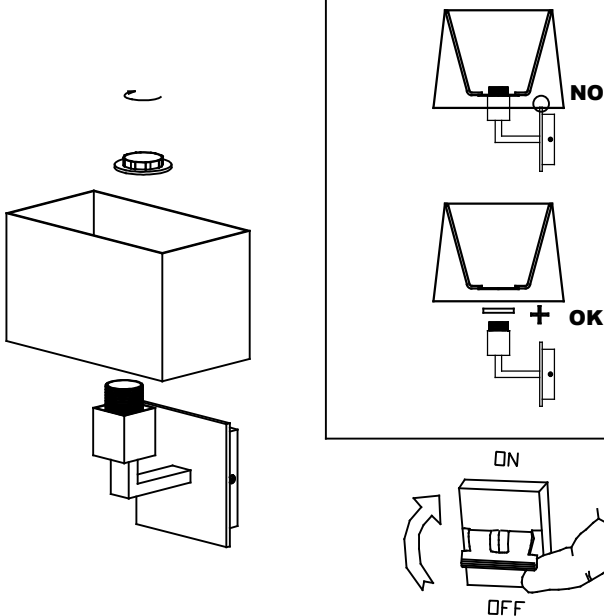
3



4



5



6

