

STREAM Wall fixture

Designer: Josep Patsi

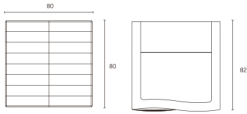
05-2924-BW-M3V0



	Finish	Material
Structure	White	Polyurethane
Diffuser	Tinted	Methacrylate

IP20  HORIZONTAL 1040  12 

TECHNICAL CHARACTERISTICS



Light source

Light source: LED CREE
 Light source power (W): 4W
 Color temperature: LED warm-white
 3000K
 CRI: 80
 Photobiological risk: RG2
 Real Lumen: 272
 Qty Leds: 1
 Lm/Real W: 68
 Bin / Grup: 7C1 o 7B4
 UGR: 11.2

GEAR

Gear included: Yes, electronic
 Voltage / Frequency:
 100-240VAC/50-60Hz

Luminaire

Warranty: 2 Years

Logistics

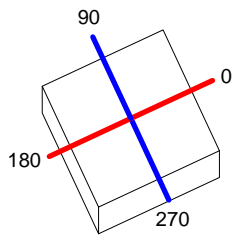
Energy Efficiency: LED A++
 EAN Code: 8435381414139
 Net Weight (Kg): 0.29
 Weight in Kg (packaged): 0.36
 Packing: 90 x 90 x 100
 Masterbox: 12

The photograph may not match the reference exactly. Please read the product description to identify the finish.

Luminaire		Measur.		Lamp		
Code	05-2924-BW-M3	Code	05-2924-BW-M3	Code	05-2924-BW-M3	
Name	Aplique STREAM led 4W	Name	Aplique STREAM led 4W	Number	1	
Line	Eulumdat	Date	07-07-2014	Position		
Efficiency	100.00%	Coordinate system	CG	Total Flux	271.66 lm	
Maximum value	57.52 cd	Position	C=90.00 G=5.00	Sym. on planes	270-90	
Rectangular Luminaire	Length	80 mm	Width	80 mm	Height	80 mm
Rectangular Luminous Area	Length	45 mm	Width	65 mm	Height	80 mm
Horizontal Luminous Area	0.002925 m2	Emitting area on Plane 180°	0.003600 m2			
Emitting area on Plane 0°	0.003600 m2	Emitting area on Plane 270°	0.005200 m2			
Emitting area on Plane 90°	0.005200 m2	Glare area at 76°	0.004201 m2			
Symmetry Type	Sym. on planes 270-90	Maximum Gamma Angle	180			
Measurement Distance	0.00	Measurement Flux	271.66 lm			
Operator	Asselum T2	Source voltage				
Temperature	25.00 °C	Source current				
Humidity	60.00 %	Photocell				
Notes						

Luminaire Lamps					
Line	Code	Name	Flux [lm]	Pow. [W]	Q.ty
Eulumdat	05-2924-BW-M3	05-2924-BW-M3 - 4.00 W	271.66	4.00	1
C.I.E.	57 91 98 50 100	D DIN 5040	C41		
F UTE	0.50 C + 0.50 T	B NBN	BZ 3		

80mm x 80mm



C Halfplanes

270.0 — Blue line

180.0 — Red line

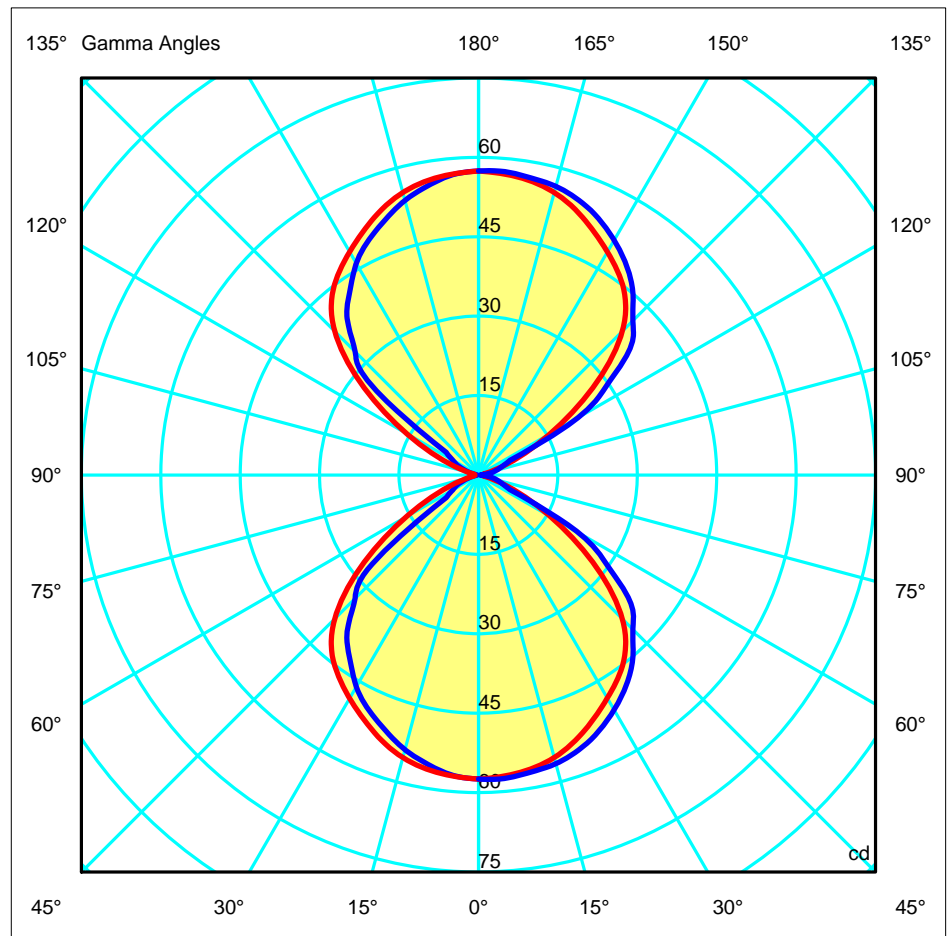
90.0 — Blue line

0.0 — Red line

ULOR 50.00 %

DLOR 50.00 %

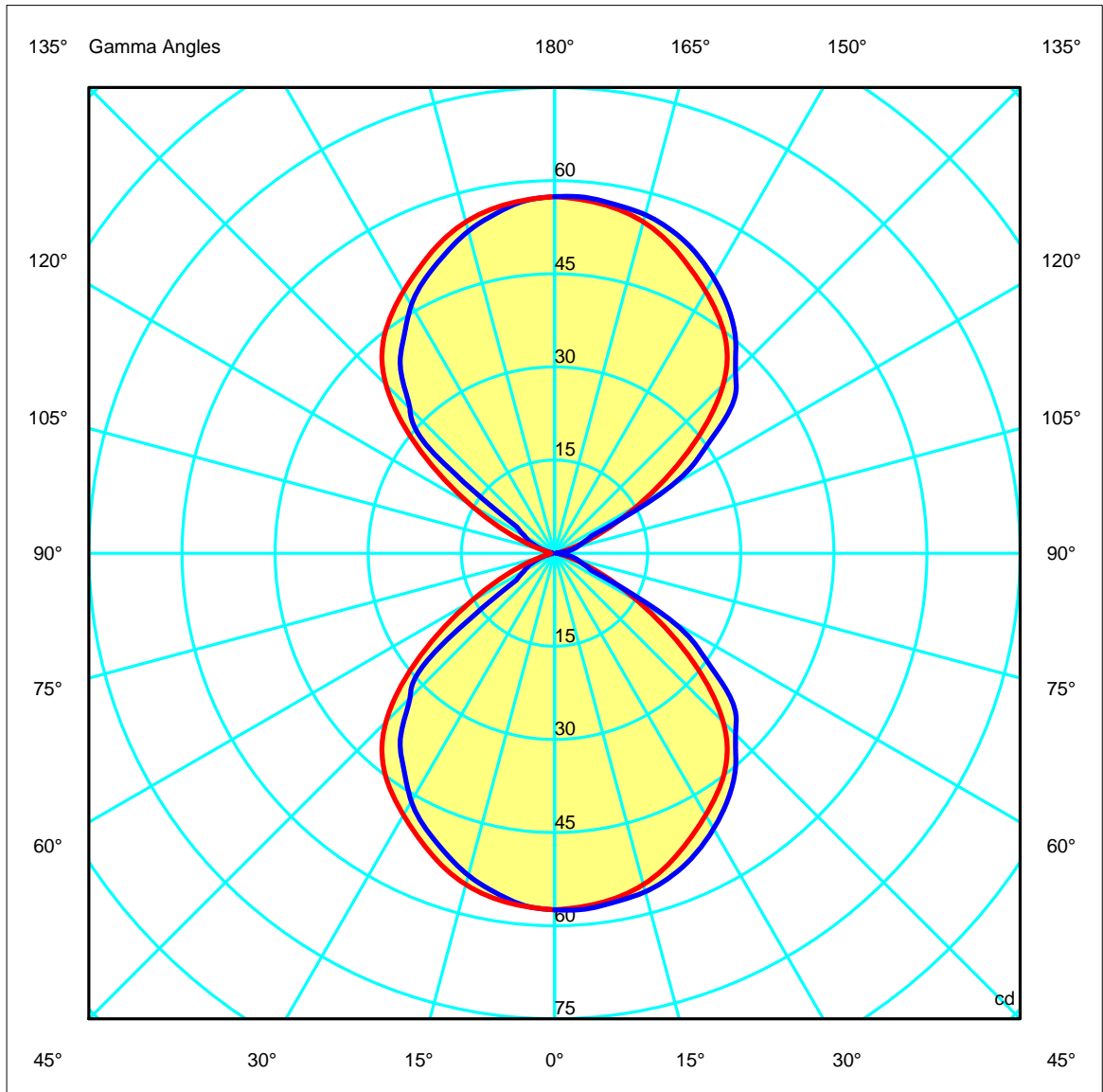
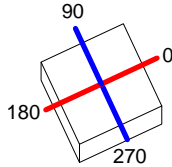
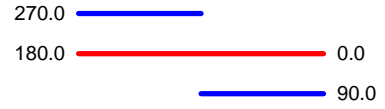
RN 50.00 %



Luminaire		Measur.		Lamp	
Code	05-2924-BW-M3	Code	05-2924-BW-M3	Code	05-2924-BW-M3
Name	Aplique STREAM led 4W	Name	Aplique STREAM led 4W	Number	1
Line	Eulumdat	Date	07-07-2014	Position	
Efficiency	100.00%	Coordinate system	CG	Total Flux	271.66 lm

80mm x 80mm

C Halfplanes



Luminaire

 Code 05-2924-BW-M3
 Name Aplique STREAM led 4W
 Line Eulumdat

Measur.

 Code 05-2924-BW-M3
 Name Aplique STREAM led 4W
 Date 07-07-2014

Lamp

 Code 05-2924-BW-M3
 Number 1
 Position

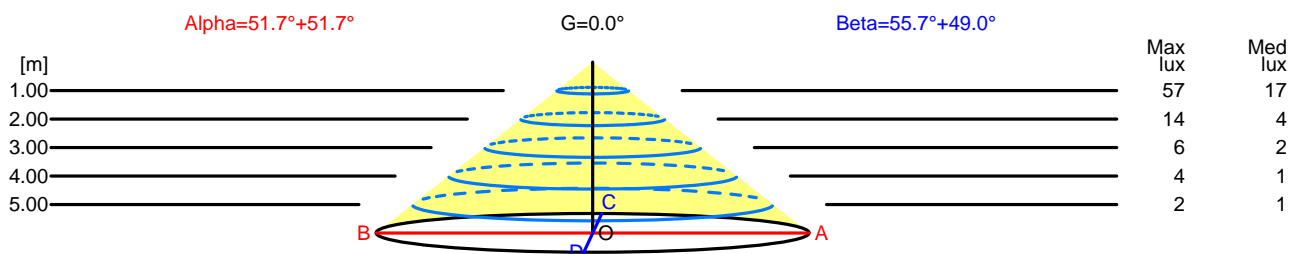
Efficiency	100.00%	Coordinate system	CG	Total Flux	271.66 lm
------------	---------	-------------------	----	------------	-----------

Width at 50.00 % of Max Intensity

H[m]	1.00	2.00	3.00	4.00	5.00	H[m]	1.00	2.00	3.00	4.00	5.00
OA	1.27	2.53	3.80	5.07	6.33	OC	1.47	2.93	4.40	5.87	7.33
OB	1.27	2.53	3.80	5.07	6.33	OD	1.15	2.30	3.46	4.61	5.76

Luminous Intensities [cd]

	0	5	15	25	35	45	55	65	75	85
OA	57.43	57.05	55.25	51.08	46.26	38.39	23.34	9.48	2.26	1.15
OB	57.43	57.05	55.25	51.08	46.26	38.39	23.34	9.48	2.26	1.15
OC	57.43	57.52	56.44	53.53	48.59	41.22	29.64	6.56	3.66	0.56
OD	57.43	56.92	53.70	49.00	42.37	32.94	7.45	4.49	1.49	0.33



H[m]	D[m]	Max lux	Med lux	Alpha=51.7°+51.7°	G=0.0	
1.00	2.53	57	17			
2.00	5.07	14	4			
3.00	7.60	6	2			
4.00	10.13	4	1			
5.00	12.67	2	1			

H[m]	D[m]	Max lux	Med lux	Beta=49.0°+55.7°	G=0.0	
1.00	2.62	57	17			
2.00	5.24	14	4			
3.00	7.85	6	2			
4.00	10.47	4	1			
5.00	13.09	2	1			

Luminaire

Code 05-2924-BW-M3
 Name Applique STREAM led 4W
 Line Eulumdat

Measur.

Code 05-2924-BW-M3
 Name Applique STREAM led 4W
 Date 07-07-2014

Lamp

Code 05-2924-BW-M3
 Number 1
 Position

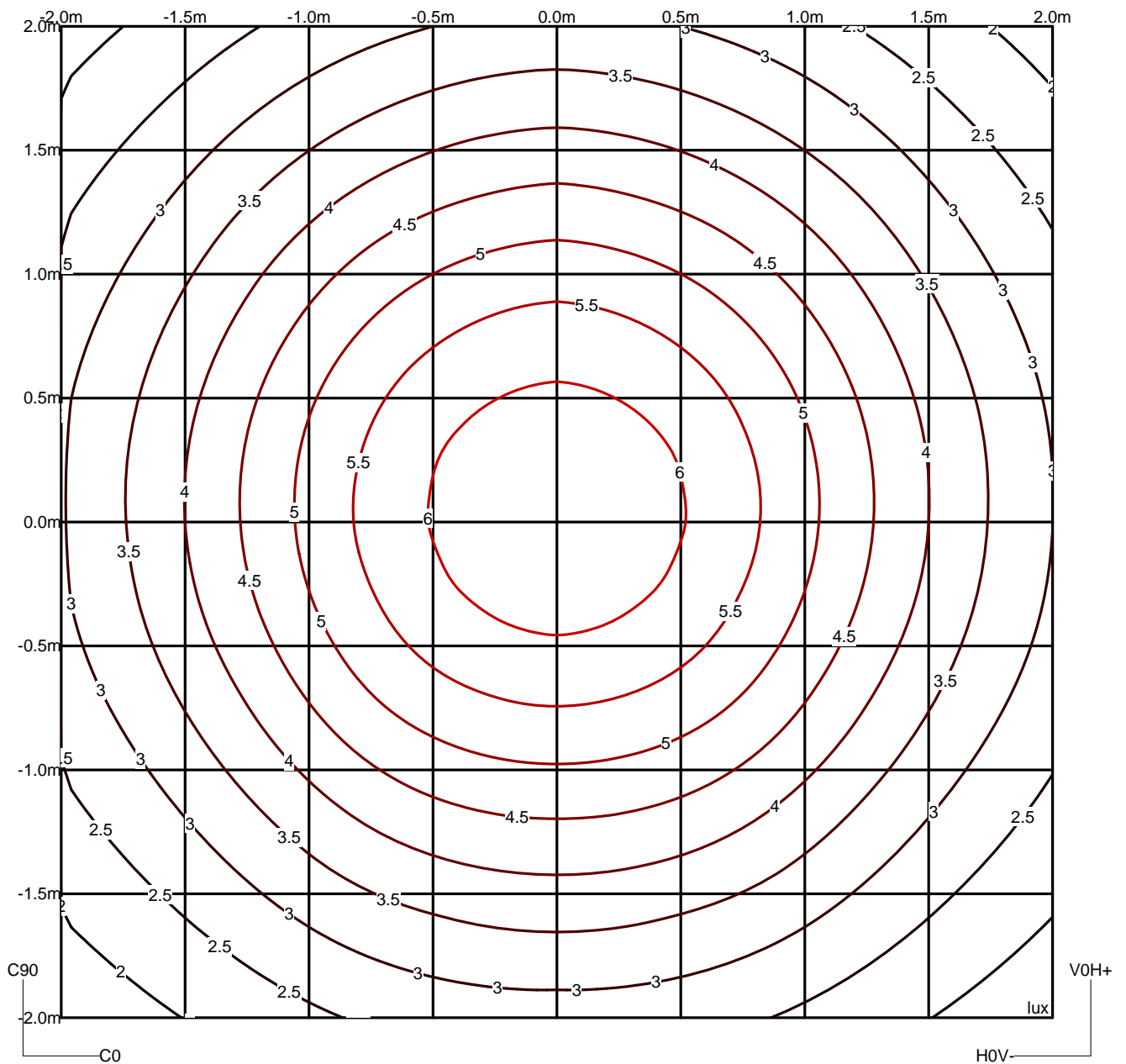
Efficiency 100.00%

Coordinate system CG

Total Flux 271.66 lm

Isolux (Floor)

Luminaire position X=0.00m Y=0.00m Z=3.00m



Luminaire

Code 05-2924-BW-M3
 Name Applique STREAM led 4W
 Line Eulumdat

Measur.

Code 05-2924-BW-M3
 Name Applique STREAM led 4W
 Date 07-07-2014

Lamp

Code 05-2924-BW-M3
 Number 1
 Position

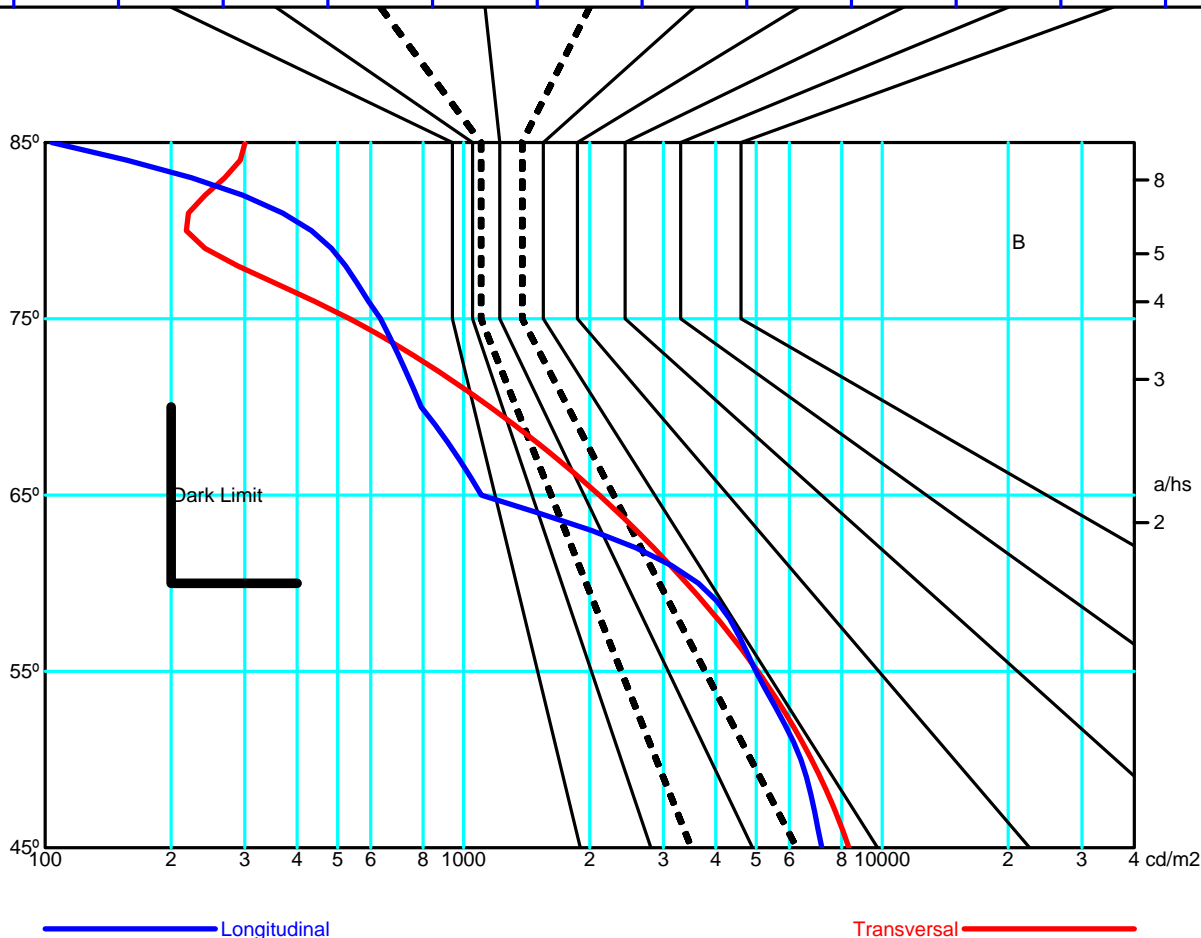
Efficiency 100.00%

Coordinate system CG

Total Flux 271.66 lm

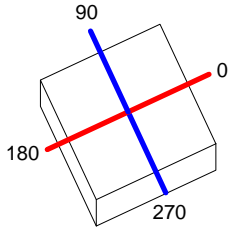
		Average Luminance [cd/m ²]										
		0.0°	45°	50°	55°	60°	65°	70°	75°	80°	85°	
90.0°		7175	6390	4992	3639	1102	792	633	433	104	---	

Flush mounted or transversal view												
		Illumination(lx)										
A	A	2000	1000	750	500		<300				1.15	
B	1		2000	1500	1000	750	500	<300			1.5	
C					2000		1000	500	<300		1.85	
D	2						2000	1000	500	<300	2.2	
E	3							2000	1000	500	<300	2.55



Luminaire		Measur.		Lamp	
Code	05-2924-BW-M3	Code	05-2924-BW-M3	Code	05-2924-BW-M3
Name	Aplique STREAM led 4W	Name	Aplique STREAM led 4W	Number	1
Line	Eulumdat	Date	07-07-2014	Position	
Efficiency	100.00%	Coordinate system	CG	Total Flux	271.66 lm

80mm x 80mm



C Halfplanes
 270.0 ————
 180.0 ———— 0.0
 ———— 90.0



Luminaire		Measur.		Lamp	
Code	05-2924-BW-M3	Code	05-2924-BW-M3	Code	05-2924-BW-M3
Name	Aplique STREAM led 4W	Name	Aplique STREAM led 4W	Number	1
Line	Eulumdat	Date	07-07-2014	Position	
Efficiency	100.00%	Coordinate system	CG	Total Flux	271.66 lm

UGR
S = 0.250

Reflectancies										
Ceiling/Cavity	0.7	0.7	0.5	0.5	0.3	0.7	0.7	0.5	0.5	0.3
Walls	0.5	0.3	0.5	0.3	0.3	0.5	0.3	0.5	0.3	0.3
WorkingPlane	0.2	0.2	0.2	0.2	0.2	0.2	0.2	0.2	0.2	0.2
RoomDimensions	ViewedCrosswise					ViewedEndwise				
x=2H y=2H	13.9	14.7	14.8	15.6	14.5	11.8	12.6	12.7	13.4	14.5
x=2H y=3H	14.0	14.6	14.9	15.5	14.4	11.7	12.4	12.6	13.3	14.4
x=2H y=4H	13.9	14.5	14.8	15.4	14.3	11.6	12.2	12.5	13.1	14.3
x=2H y=6H	13.8	14.3	14.7	15.3	14.2	11.5	12.1	12.4	13.0	14.2
x=2H y=8H	13.7	14.2	14.7	15.2	14.1	11.4	12.0	12.4	12.9	14.1
x=2H y=12H	13.6	14.1	14.6	15.1	14.0	11.3	11.9	12.3	12.8	14.0
x=4H y=2H	13.9	14.5	14.9	15.4	14.4	11.7	12.3	12.7	13.3	14.4
x=4H y=3H	14.0	14.5	15.0	15.5	14.3	11.7	12.2	12.6	13.1	14.3
x=4H y=4H	13.9	14.4	14.9	15.3	14.3	11.6	12.0	12.6	13.0	14.3
x=4H y=6H	13.8	14.2	14.8	15.2	14.1	11.5	11.9	12.5	12.8	14.1
x=4H y=8H	13.8	14.1	14.8	15.1	14.0	11.4	11.8	12.4	12.7	14.0
x=4H y=12H	13.7	14.0	14.7	15.0	14.0	11.3	11.7	12.4	12.7	14.0
x=8H y=4H	13.8	14.1	14.8	15.1	14.0	11.4	11.8	12.4	12.8	14.0
x=8H y=6H	13.6	13.9	14.7	14.9	13.9	11.3	11.6	12.3	12.6	13.9
x=8H y=8H	13.6	13.8	14.6	14.9	13.8	11.2	11.5	12.3	12.5	13.8
x=8H y=12H	13.5	13.8	14.6	14.8	13.8	11.2	11.4	12.2	12.4	13.8
x=12H y=4H	13.7	14.0	14.7	15.0	14.0	11.4	11.7	12.4	12.7	14.0
x=12H y=6H	13.6	13.8	14.6	14.8	13.8	11.2	11.5	12.3	12.5	13.8
x=12H y=8H	13.5	13.7	14.6	14.8	13.8	11.2	11.4	12.2	12.4	13.8

Luminaire

Code 05-2924-BW-M3
 Name Applique STREAM led 4W
 Line Eulumdat

Measur.

Code 05-2924-BW-M3
 Name Applique STREAM led 4W
 Date 07-07-2014

Lamp

Code 05-2924-BW-M3
 Number 1
 Position

Efficiency 100.00% Coordinate system CG Total Flux 271.66 lm

Total Flux=271.66 Luminaire Flux=271.66

RI	0.60	0.80	1.00	1.25	1.50	2.00	2.50	3.00	4.00	5.00	10.00	20.00
DRR	0.36	0.46	0.54	0.62	0.67	0.75	0.80	0.84	0.87	0.89	0.94	0.96
RC	4	4	3	3	3	3	3	3	3	3	4	4

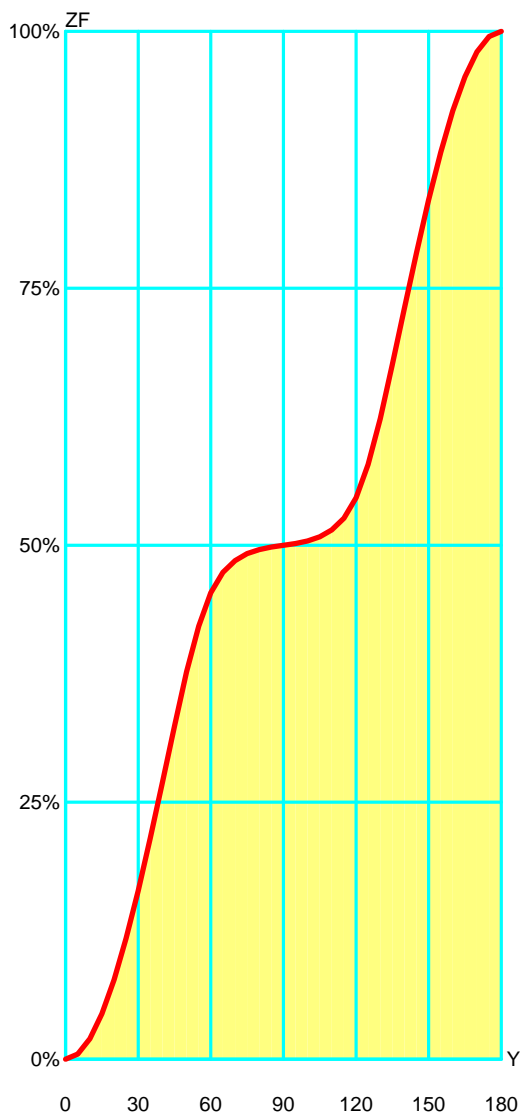
Zonal Flux per 1000 Lumen

Y°	10	20	30	40	50	60	70	80	90	100	110	120	130	140	150	160	170	180
ZF(Y)	20	77	164	269	377	454	485	496	500	504	515	546	623	731	836	923	980	1000

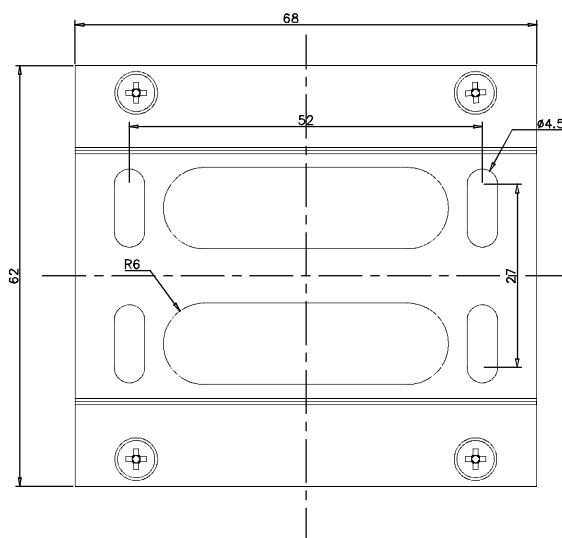
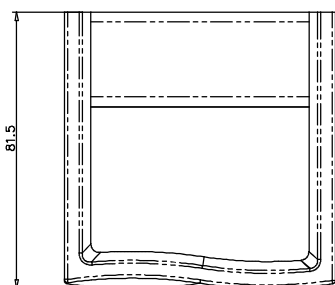
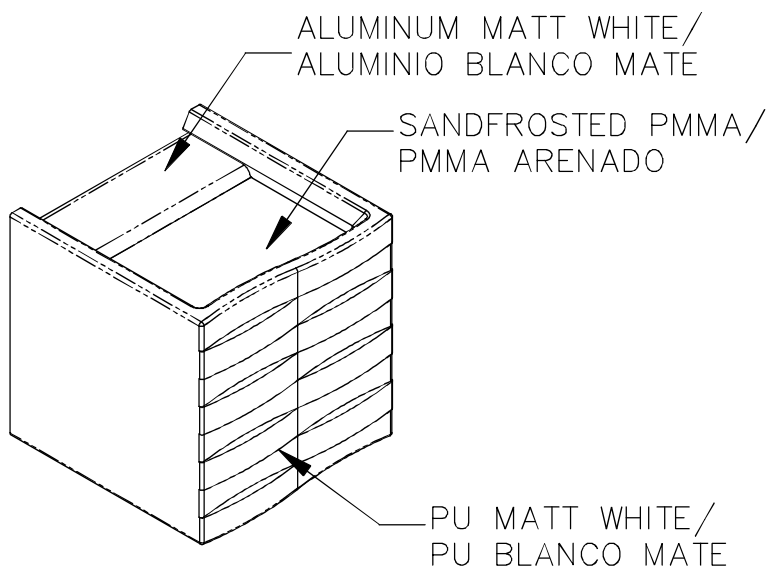
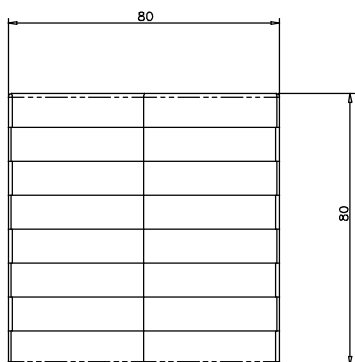
CIE Flux Codes

57 91 98 50 100

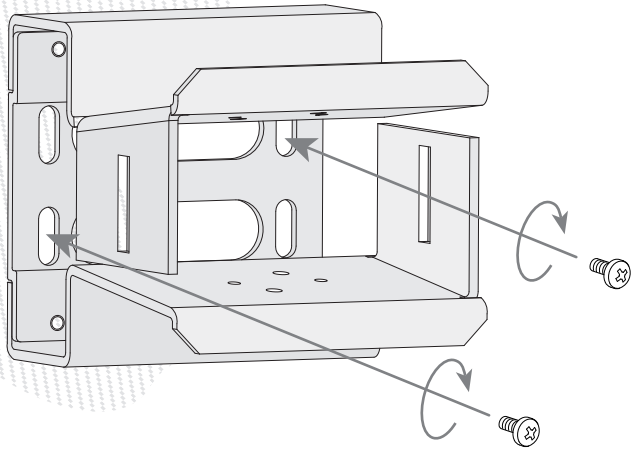
C.I.E.	4/4/3/3/3/3/3/3/4/4	LOR	99.99926 %
D DIN 5040	C41	ULOR	49.99963 %
F UTE	0.50 C + 0.50 T	DLOR	49.99963 %
B NBN	BZ 3	UFF	50.00000 %
RN	50.00000 %	DFF	50.00000 %
BLF	1.0	FFR	100.00000 %



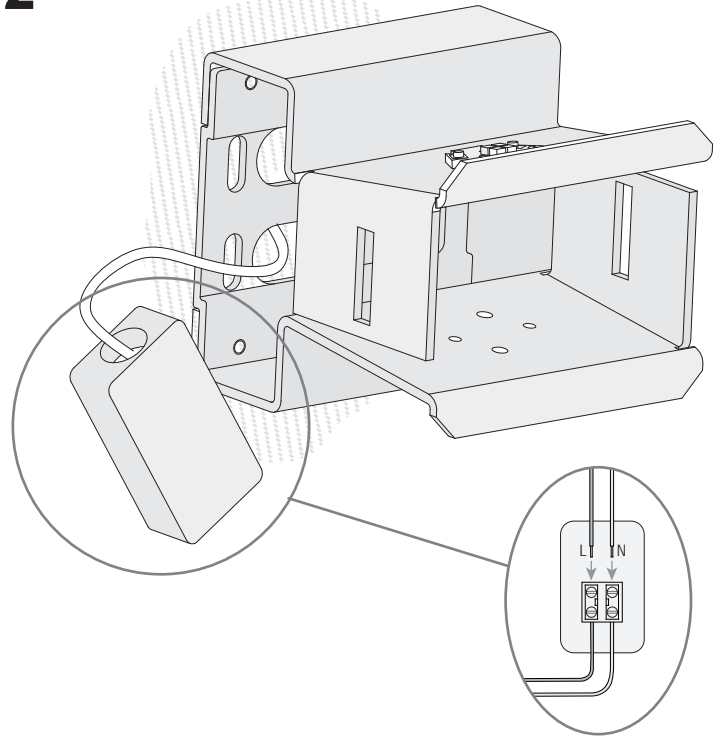
Zonal Flux				
Gamma °	Flux	Sum lm	Flux [%]	Sum [%]
0°	0.00	0.00	0.00%	0.00%
5°	5.04	5.04	0.50%	0.50%
10°	14.92	19.96	1.49%	2.00%
15°	24.32	44.28	2.43%	4.43%
20°	32.92	77.21	3.29%	7.72%
25°	40.36	117.57	4.04%	11.76%
30°	46.43	164.00	4.64%	16.40%
35°	51.08	215.08	5.11%	21.51%
40°	54.15	269.23	5.42%	26.92%
45°	55.11	324.34	5.51%	32.43%
50°	52.56	376.90	5.26%	37.69%
55°	44.52	421.43	4.45%	42.14%
60°	32.28	453.70	3.23%	45.37%
65°	19.93	473.63	1.99%	47.36%
70°	11.36	484.99	1.14%	48.50%
75°	6.83	491.82	0.68%	49.18%
80°	3.92	495.74	0.39%	49.57%
85°	2.48	498.22	0.25%	49.82%
90°	1.77	500.00	0.18%	50.00%
95°	1.77	501.77	0.18%	50.18%
100°	2.48	504.25	0.25%	50.43%
105°	3.92	508.17	0.39%	50.82%
110°	6.83	515.00	0.68%	51.50%
115°	11.36	526.36	1.14%	52.64%
120°	19.93	546.29	1.99%	54.63%
125°	32.28	578.56	3.23%	57.86%
130°	44.52	623.09	4.45%	62.31%
135°	52.56	675.65	5.26%	67.57%
140°	55.11	730.76	5.51%	73.08%
145°	54.15	784.91	5.42%	78.49%
150°	51.08	835.99	5.11%	83.60%
155°	46.43	882.42	4.64%	88.24%
160°	40.36	922.79	4.04%	92.28%
165°	32.92	955.71	3.29%	95.57%
170°	24.32	980.03	2.43%	98.00%
175°	14.92	994.95	1.49%	99.50%
180°	5.04	999.99	0.50%	100.00%



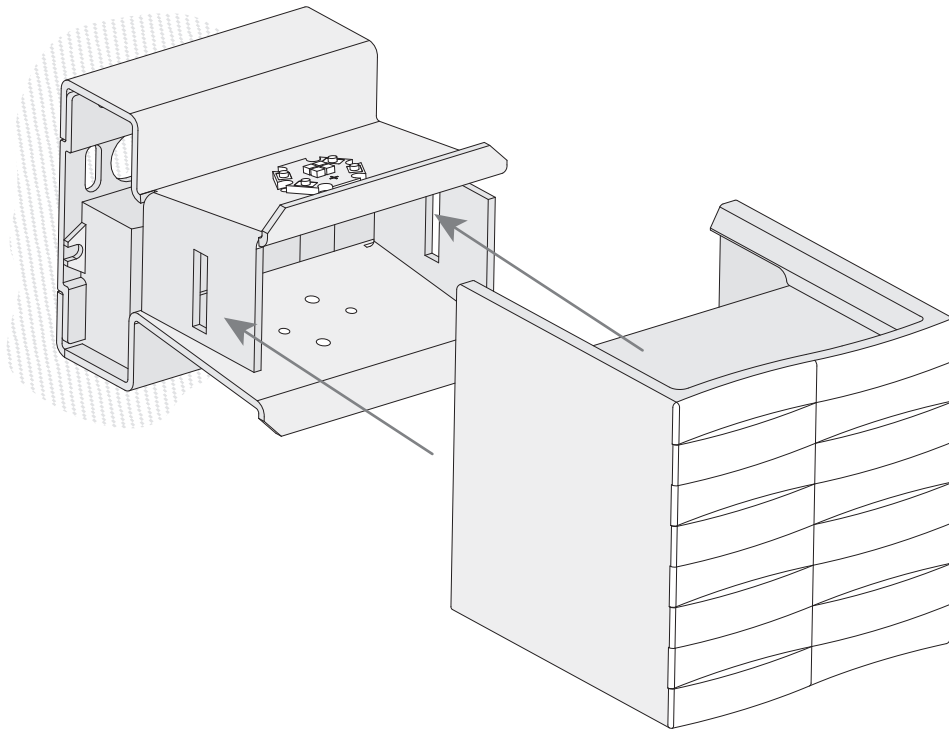
1



2



3



4

