

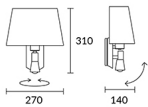
Balmoral Wall fixture

Designer: Manel Llusçà

**Description**

Wall fixture Balmoral LED 2.2W 3000K Satin nickel

	Finish	Material
Structure	Satin nickel	Steel
Diffuser	Black	Textile

**TECHNICAL CHARACTERISTICS****Light source**

Light source: LED CREE
 Light source power (W): 2.2W
 Luminaire total power (W): 64W
 Color temperature: LED warm-white
 3000K
 CRI: 80
 Photobiological risk: RG2
 Life Time: 50.000h L80B20
 Bin / Grup: 7C1/7B4
 MacAdam steps: 3

Light source

Lampholder: 1 x E27
 Light source power (W): MAX 60W
 Luminaire total power (W): 64W
 Lamp maximum dimension: 150/70
 mm
 Quantity: 1
 Life Time: 50.000h L80B20
 Recommended lamp: E27

Smart Compatible

71-8219-00-00: LightForLife
 RGBW E27 Light Bulb

GEAR

Gear included: Yes, electronic
 Voltage / Frequency:
 100-240V/50-60Hz
 Power Factor: 0.40
 Dimming protocol: ON-OFF

Luminaire

Switch: Interruptor de encendido
 Warranty: 5 Years

Logistics

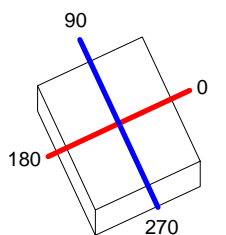
Energy Efficiency: A++
 EAN Code: 8435111066010
 Net Weight (Kg): 0.85
 Weight in Kg (packaged): 1.31
 Packing: 290 x 160 x 300
 Masterbox: 6

The photograph may not match the reference exactly. Please read the product description to identify the finish.

Luminaire		Measur.		Lamp		
Code	05-2814-81-05	Code	05-2814-81-05	Code	-	
Name	Aplique BALMORAL 60W E27 + led	Name	Aplique BALMORAL 60W E27 + led	Number	2	
Line	Eulumdat	Date	12-04-2010	Position		
Efficiency	83.85%	Coordinate system	CG	Total Flux	814.00 lm	
Maximum value	1807.98 cd	Position	C=90.00 G=90.00	Sym. on planes	270-90	
Rectangular Luminaire	Length	320 mm	Width	270 mm	Height	130 mm
Rectangular Luminous Area	Length	320 mm	Width	270 mm	Height	130 mm
Horizontal Luminous Area	0.086400 m2	Emitting area on Plane 180°	0.041600 m2			
Emitting area on Plane 0°	0.041600 m2	Emitting area on Plane 270°	0.035100 m2			
Emitting area on Plane 90°	0.035100 m2	Glare area at 76°	0.061266 m2			
Symmetry Type	Sym. on planes 270-90	Maximum Gamma Angle	180			
Measurement Distance	0.00	Measurement Flux	814.00 lm			
Operator	Asselum	Source voltage				
Temperature	25.00 °C	Source current				
Humidity	60.00 %	Photocell				
Notes						

Line	Code	Luminaire Lamps		Flux [lm]	Pow. [W]	Q.ty
Eulumdat	-	Name	--	407.00	31.50	2
C.I.E.	19 38 58 33 84	D DIN 5040	D12			
F UTE	0.28 J + 0.56 T	B NBN	BZ 9 / 1 / BZ 10			

320mm x 270mm



C Halfplanes

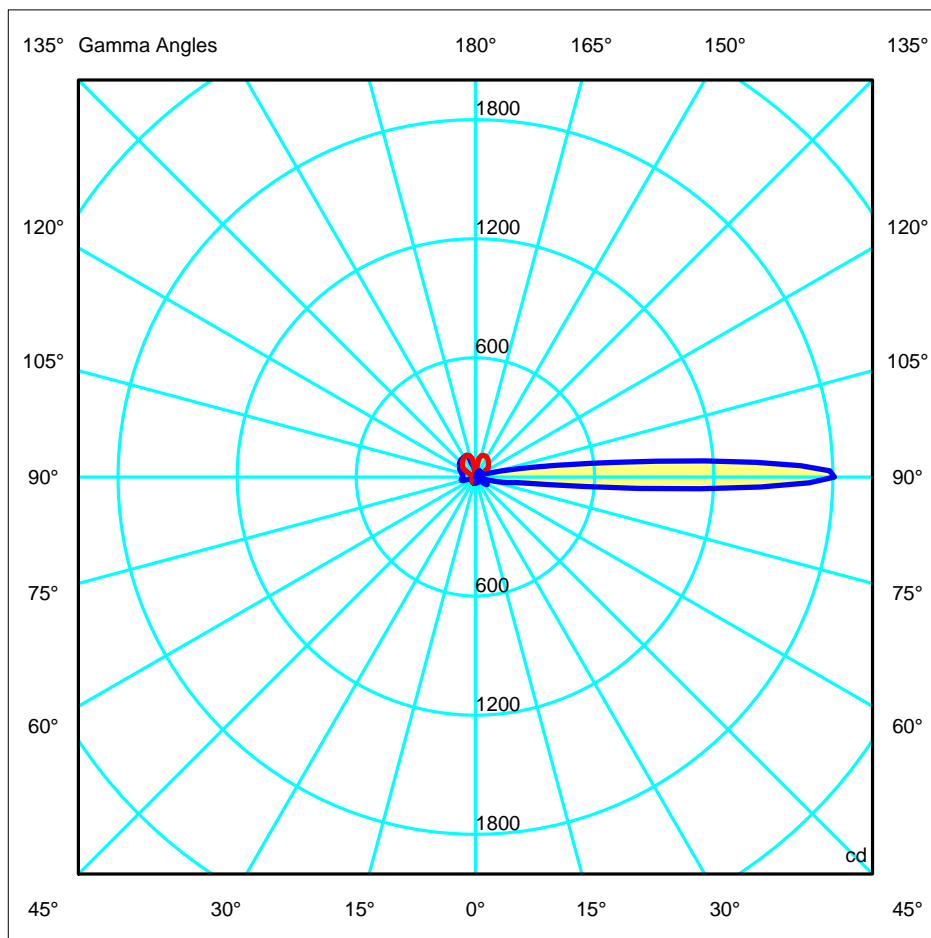
270.0 ——— 0.0

180.0 ——— 90.0

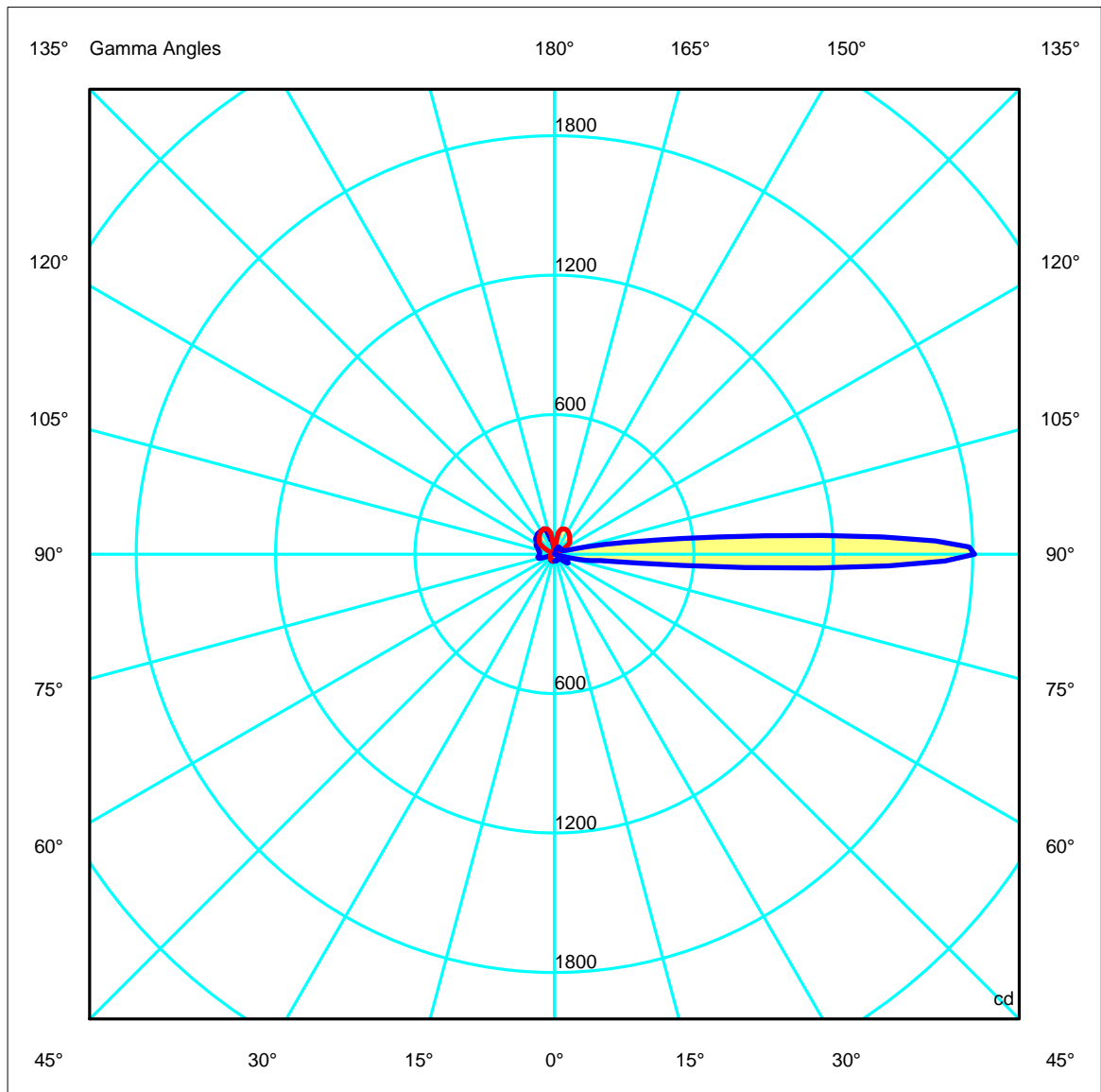
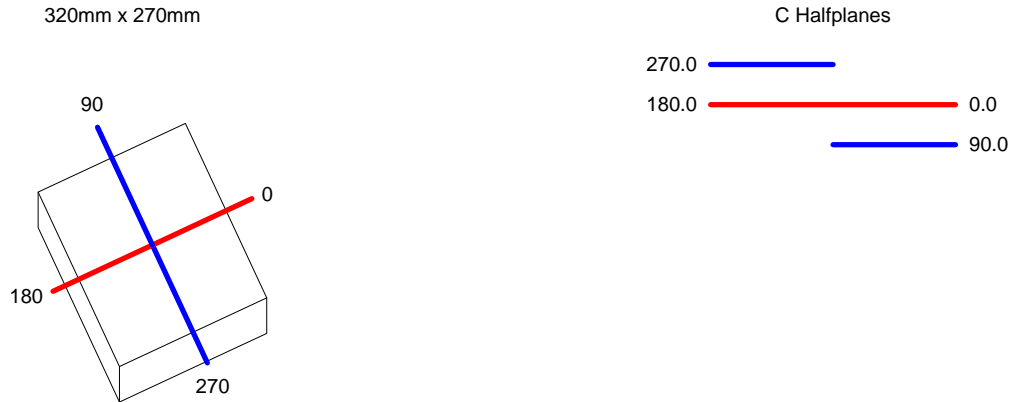
ULOR 55.77 %

DLOR 28.08 %

RN 66.51 %



Luminaire		Measur.		Lamp	
Code	05-2814-81-05	Code	05-2814-81-05	Code	-
Name	Aplique BALMORAL 60W E27 + led	Name	Aplique BALMORAL 60W E27 + led	Number	2
Line	Eulumdat	Date	12-04-2010	Position	
Efficiency	83.85%	Coordinate system	CG	Total Flux	814.00 lm



Luminaire		Measur.		Lamp	
Code	05-2814-81-05	Code	05-2814-81-05	Code	-
Name	Aplique BALMORAL 60W E27 + led	Name	Aplique BALMORAL 60W E27 + led	Number	2
Line	Eulmdat	Date	12-04-2010	Position	

Efficiency	83.85%	Coordinate system	CG	Total Flux	814.00 lm
------------	--------	-------------------	----	------------	-----------

Could not find 90270 left beam angle•gamma0180=0

Luminaire
 Code 05-2814-81-05
 Name Aplique BALMORAL 60W E27 + led
 Line Eulumdat

Measur.
 Code 05-2814-81-05
 Name Aplique BALMORAL 60W E27 + led
 Date 12-04-2010

Lamp
 Code -
 Number 2
 Position

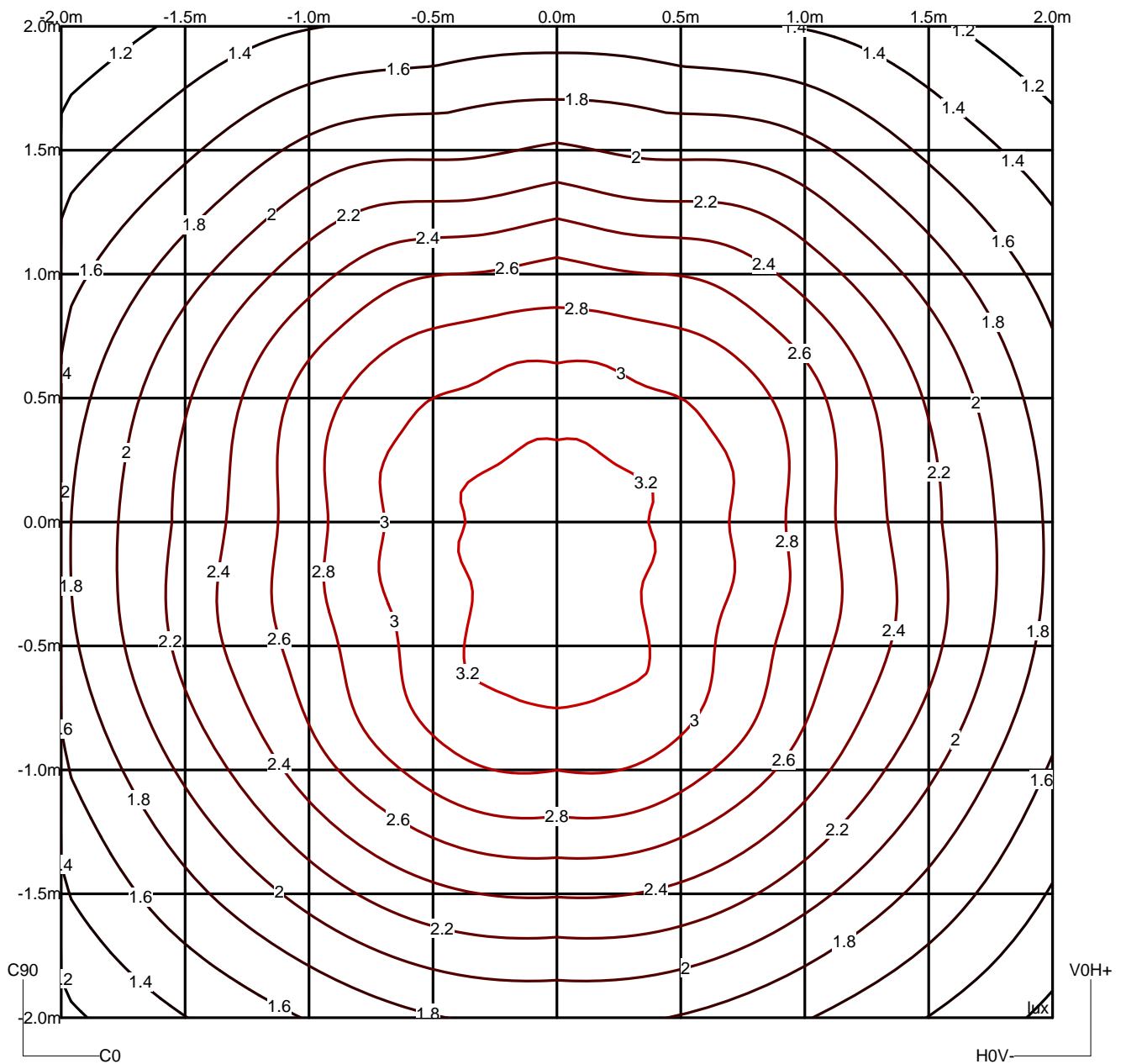
Efficiency 83.85%

Coordinate system CG

Total Flux 814.00 lm

Isolux (Floor)

Luminaire position X=0.00m Y=0.00m Z=3.00m



Luminaire

Code 05-2814-81-05
 Name Aplique BALMORAL 60W E27 + led
 Line Eulumdat

Measur.

Code 05-2814-81-05
 Name Aplique BALMORAL 60W E27 + led
 Date 12-04-2010

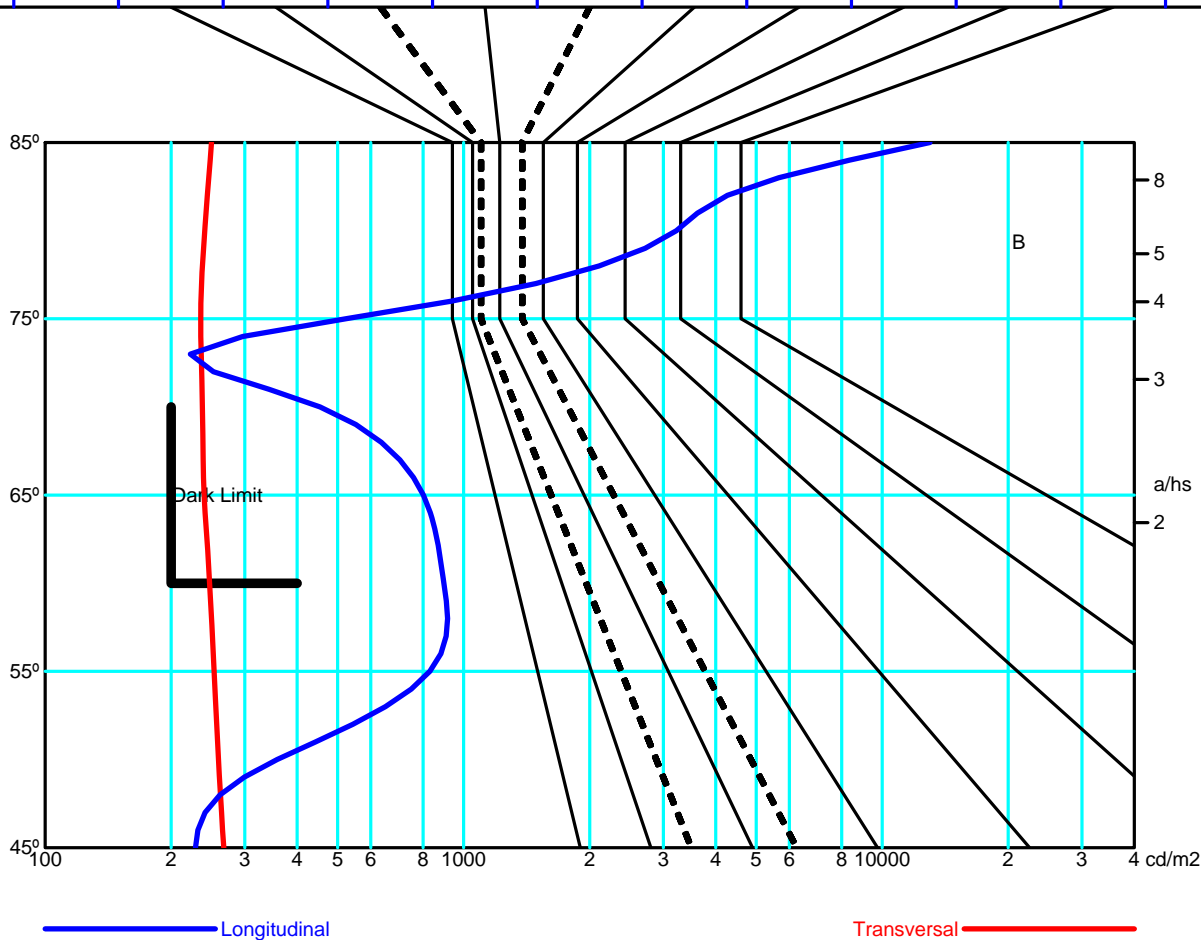
Lamp

Code -
 Number 2
 Position

Efficiency 83.85% Coordinate system CG Total Flux 814.00 lm

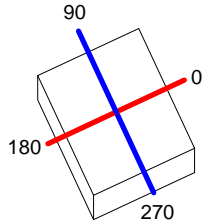
Average Luminance [cd/m ²]											
	0.0°	45°	50°	55°	60°	65°	70°	75°	80°	85°	
	267	260	253	248	240	238	235	241	250	---	
	229	358	830	897	801	454	524	3221	12999	---	

Flush mounted or transversal view												
		Illumination(lx)										
A	A	2000	1000	750	500		<300					1.15
B	1		2000	1500	1000	750	500	<300				1.5
C					2000		1000	500	<300			1.85
D	2						2000	1000	500	<300		2.2
E	3							2000	1000	500	<300	2.55

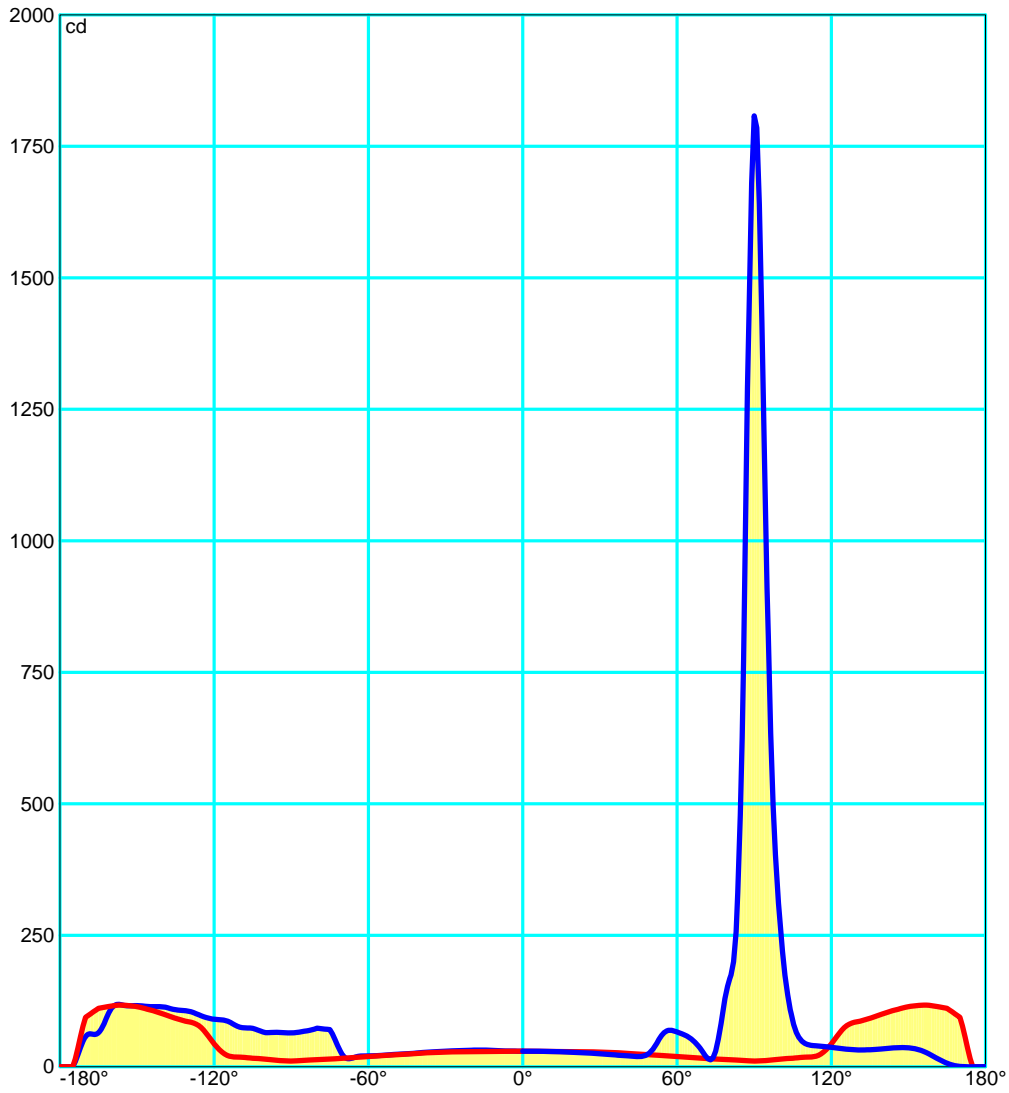


Luminaire		Measurem.		Lamp	
Code	05-2814-81-05	Code	05-2814-81-05	Code	-
Name	Aplique BALMORAL 60W E27 + led	Name	Aplique BALMORAL 60W E27 + led	Number	2
Line	Eulumdat	Date	12-04-2010	Position	
Efficiency	83.85%	Coordinate system	CG	Total Flux	814.00 lm

320mm x 270mm



C Halfplanes
 270.0 ————
 180.0 ———— 0.0
 ———— 90.0



Luminaire		Measur.		Lamp	
Code	05-2814-81-05	Code	05-2814-81-05	Code	-
Name	Aplique BALMORAL 60W E27 + led	Name	Aplique BALMORAL 60W E27 + led	Number	2
Line	Eulumdat	Date	12-04-2010	Position	
Efficiency	83.85%	Coordinate system	CG	Total Flux	814.00 lm

UGR
S = 0.250

Reflectancies										
Ceiling/Cavity	0.7	0.7	0.5	0.5	0.3	0.7	0.7	0.5	0.5	0.3
Walls	0.5	0.3	0.5	0.3	0.3	0.5	0.3	0.5	0.3	0.3
WorkingPlane	0.2	0.2	0.2	0.2	0.2	0.2	0.2	0.2	0.2	0.2
RoomDimensions	ViewedCrosswise					ViewedEndwise				
x=2H y=2H	0.5	1.3	1.6	2.4	4.1	0.8	1.6	1.8	2.6	4.1
x=2H y=3H	2.5	3.3	3.6	4.3	6.4	3.1	3.8	4.2	4.9	6.4
x=2H y=4H	3.6	4.2	4.6	5.3	10.6	7.4	8.1	8.5	9.2	10.6
x=2H y=6H	4.6	5.2	5.6	6.3	15.3	12.1	12.8	13.2	13.8	15.3
x=2H y=8H	5.0	5.7	6.1	6.8	16.9	13.7	14.3	14.8	15.4	16.9
x=2H y=12H	5.5	6.1	6.6	7.2	18.1	14.9	15.5	16.0	16.6	18.1
x=4H y=2H	3.0	3.6	4.0	4.7	4.8	1.6	2.2	2.6	3.3	4.8
x=4H y=3H	4.8	5.4	5.9	6.5	7.2	4.0	4.6	5.1	5.7	7.2
x=4H y=4H	5.6	6.2	6.7	7.3	10.9	7.7	8.3	8.8	9.4	10.9
x=4H y=6H	6.5	7.0	7.6	8.1	16.0	12.9	13.4	14.0	14.5	16.0
x=4H y=8H	7.0	7.5	8.1	8.6	17.9	14.8	15.2	15.9	16.3	17.9
x=4H y=12H	7.5	7.9	8.6	9.0	19.3	16.2	16.6	17.4	17.8	19.3
x=8H y=4H	8.2	8.7	9.4	9.8	11.0	7.9	8.3	9.0	9.5	11.0
x=8H y=6H	9.1	9.5	10.2	10.6	16.1	13.1	13.4	14.2	14.6	16.1
x=8H y=8H	9.5	9.8	10.6	11.0	18.3	15.2	15.5	16.3	16.7	18.3
x=8H y=12H	9.9	10.2	11.0	11.3	20.1	17.1	17.4	18.2	18.5	20.1
x=12H y=4H	8.8	9.2	9.9	10.4	11.0	7.9	8.3	9.0	9.5	11.0
x=12H y=6H	10.1	10.5	11.2	11.6	16.1	13.0	13.4	14.2	14.5	16.1
x=12H y=8H	10.7	11.0	11.8	12.1	18.3	15.2	15.5	16.4	16.7	18.3

Luminaire

Code 05-2814-81-05
 Name Aplique BALMORAL 60W E27 + led
 Line Eulumdat

Measur.

Code 05-2814-81-05
 Name Aplique BALMORAL 60W E27 + led
 Date 12-04-2010

Lamp

Code -
 Number 2
 Position

Efficiency 83.85% Coordinate system CG Total Flux 814.00 lm

Total Flux=814.00 Luminaire Flux=682.55

RI	0.60	0.80	1.00	1.25	1.50	2.00	2.50	3.00	4.00	5.00	10.00	20.00
DRR	0.12	0.16	0.20	0.25	0.29	0.35	0.40	0.44	0.50	0.55	0.69	0.79
RC	10	10	10	10	-	-	-	-	-	-	-	-

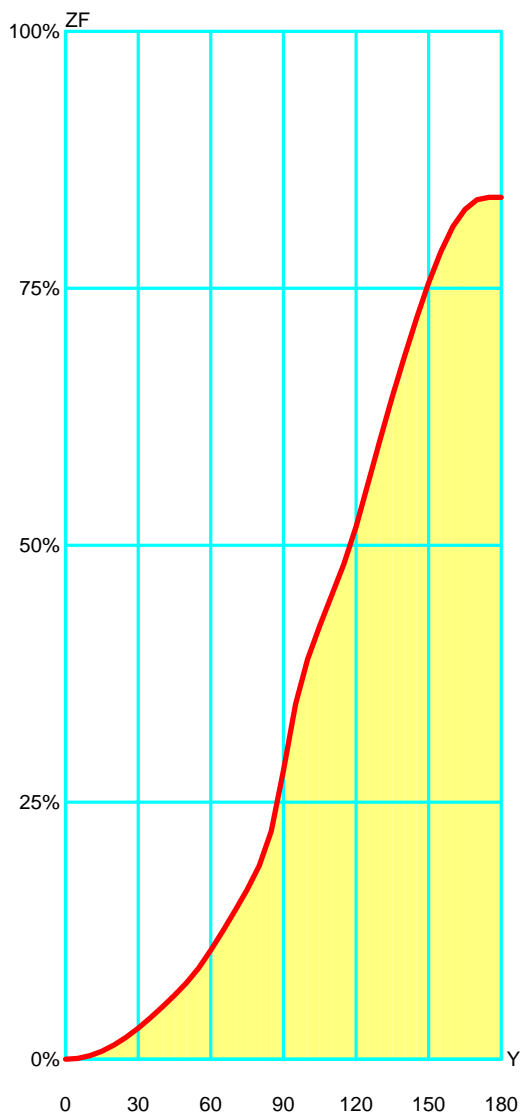
Zonal Flux per 1000 Lumen

Y°	10	20	30	40	50	60	70	80	90	100	110	120	130	140	150	160	170	180
ZF(Y)	3	14	30	51	74	106	145	188	281	389	451	518	603	684	755	810	836	839

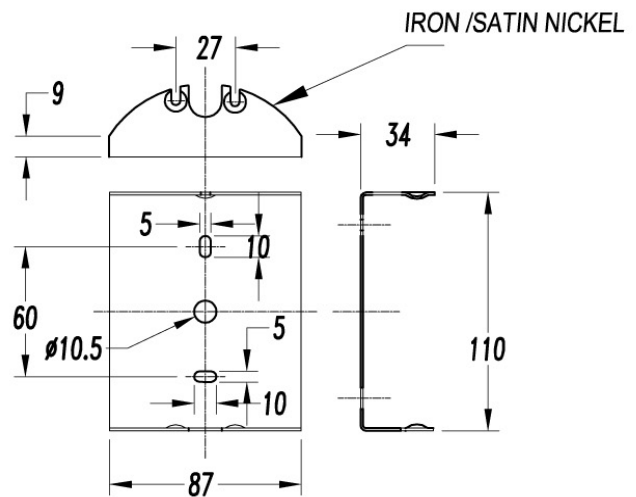
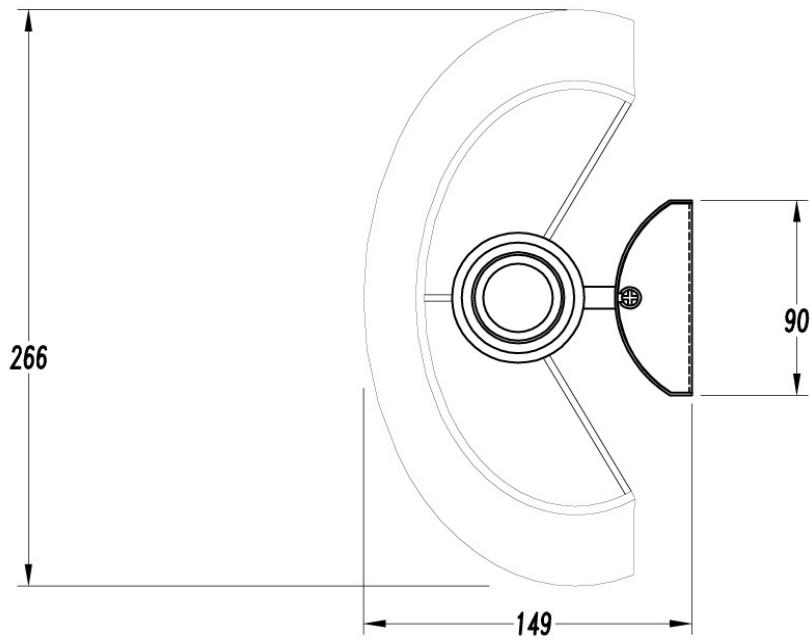
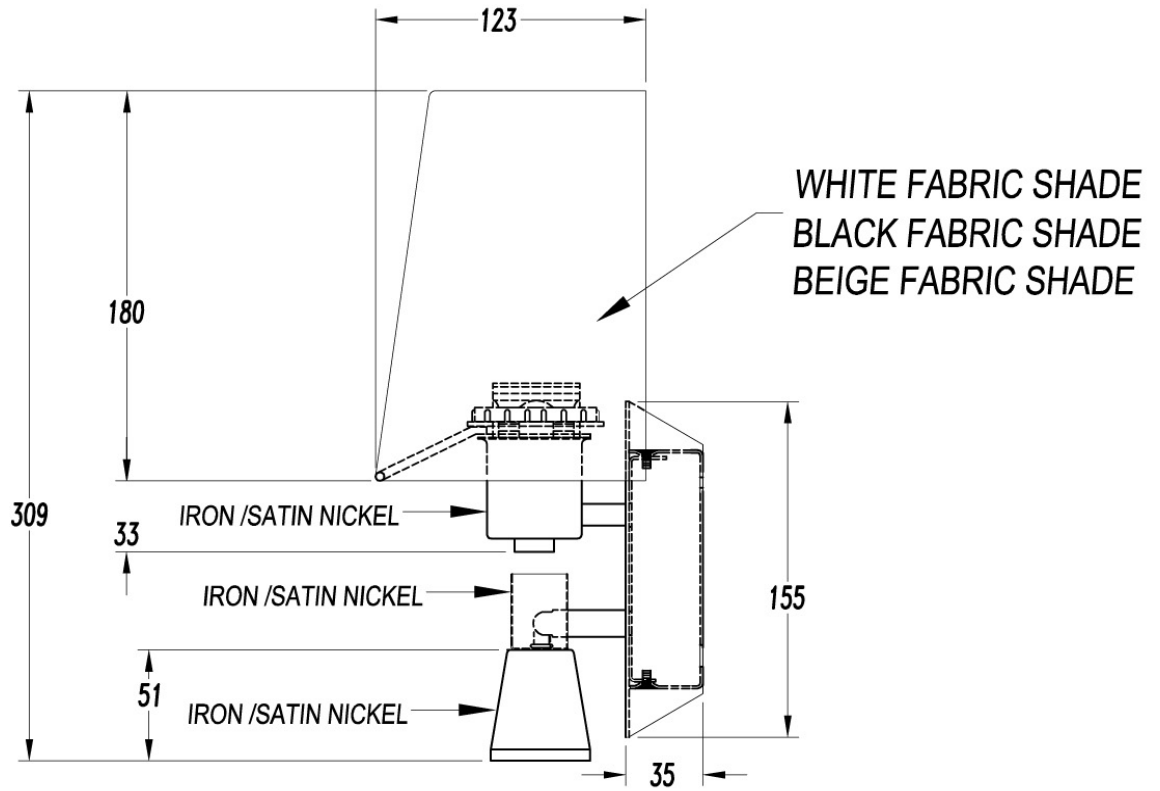
CIE Flux Codes

19 38 58 33 84

C.I.E.	10/10/10/10/10/10/10/10/10/10	LOR	83.85195 %
D DIN 5040	D12	ULOR	55.77393 %
F UTE	0.28 J + 0.56 T	DLOR	28.07802 %
B NBN	BZ 9 / 1 / BZ 10	UFF	66.51477 %
RN	66.51477 %	DFF	33.48523 %
BLF	1.0	FFR	198.63913 %



Zonal Flux				
Gamma °	Flux	Sum lm	Flux [%]	Sum [%]
0°	0.00	0.00	0.00%	0.00%
5°	0.87	0.87	0.10%	0.10%
10°	2.61	3.48	0.31%	0.41%
15°	4.33	7.81	0.52%	0.93%
20°	6.01	13.82	0.72%	1.65%
25°	7.53	21.36	0.90%	2.55%
30°	8.86	30.22	1.06%	3.60%
35°	9.94	40.16	1.19%	4.79%
40°	10.76	50.92	1.28%	6.07%
45°	11.38	62.30	1.36%	7.43%
50°	12.11	74.41	1.44%	8.87%
55°	14.40	88.81	1.72%	10.59%
60°	17.24	106.05	2.06%	12.65%
65°	18.89	124.95	2.25%	14.90%
70°	19.78	144.73	2.36%	17.26%
75°	20.15	164.88	2.40%	19.66%
80°	23.39	188.27	2.79%	22.45%
85°	33.55	221.82	4.00%	26.45%
90°	58.96	280.78	7.03%	33.49%
95°	64.80	345.58	7.73%	41.21%
100°	43.51	389.10	5.19%	46.40%
105°	32.59	421.68	3.89%	50.29%
110°	29.80	451.48	3.55%	53.84%
115°	30.42	481.90	3.63%	57.47%
120°	36.22	518.13	4.32%	61.79%
125°	42.21	560.34	5.03%	66.82%
130°	43.04	603.38	5.13%	71.96%
135°	41.16	644.54	4.91%	76.87%
140°	39.07	683.61	4.66%	81.53%
145°	37.27	720.88	4.45%	85.97%
150°	34.42	755.30	4.11%	90.08%
155°	30.04	785.34	3.58%	93.66%
160°	24.42	809.76	2.91%	96.57%
165°	16.90	826.67	2.02%	98.59%
170°	9.43	836.09	1.12%	99.71%
175°	2.43	838.52	0.29%	100.00%
180°	0.00	838.52	0.00%	100.00%





LED S-C4

IMC 05-2814

05-2814

