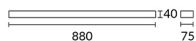


TOILET Q

05-2328-21-M1

Wall fixture TOILET Q T5 39W Chrome 1068lm



TECHNICAL FEATURES

IP44



Power (W) : Max. power 39W

Total power consumption of light (W) : 42W

Raw lumens : 1068

Raw lm/W : 25

Structure material : Aluminium

Structure finish : Chrome

Diffuser material : Polycarbonate

Diffuser finish : Opal

Recommended light bulb : T5

Equipment included : Yes, electronic

Voltage / frequency : 220-240VAC/50-60Hz

Warranty : 2 Years

Max. temperature : 25°C

Energy efficiency : Light bulb not included

LUMINOTECHNIC FEATURES

Lampholder: 1 x T5

LOGISTICS

Net weight (kg): 1.25

Packaged weight (kg): 1.75

Packaging: 920mm x 130mm x 90mm



8 Un

Luminaire

Code 05-2328-21-M1
Name WALL LIGHT

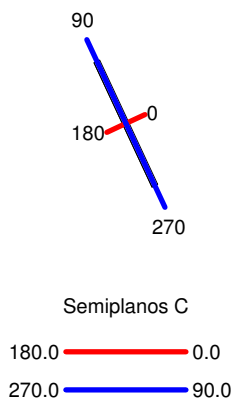
Measurement

Code 05-2328-21-M1
Name WALL LIGHT

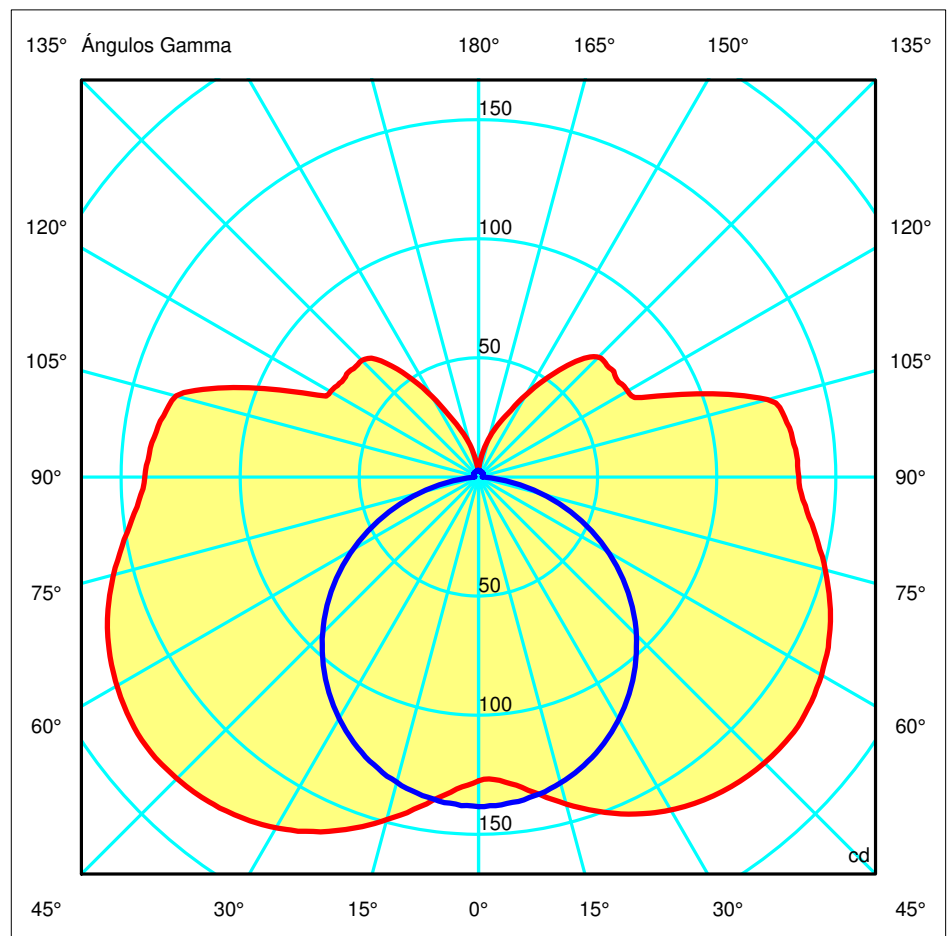
| | | | | | | | |
|---|---|---|---|----------------|------------------|--------------|--------------|
| Luminaire Flux | 1067.74 lm | Luminaire Power | 39.00 W | Efficacy | 27.38 lm/W | Efficiency | 36.45% |
| Lamps Flux | 2929.18 lm | Maximum value | 179.67 cd | Position | C=180.00 G=49.00 | CG | Asymmetrical |
| Rectangular Luminaire Rectangular Luminous Area | Length Length | 880 mm 880 mm | Width Width | 40 mm 40 mm | Height Height | 1 mm 0 mm | |
| Horizontal Luminous Area Emitting area on Plane 0° Emitting area on Plane 90° | 0.035200 m2 0.000000 m2 0.000000 m2 | Emitting area on Plane 180° Emitting area on Plane 270° Glare area at 76° | 0.000000 m2 0.000000 m2 0.008516 m2 | | | | |
| Coordinate system Date Measurement Distance | CG 27-04-2016 0.00 | Symmetry Type Maximum Gamma Angle Measurement Flux | Asymmetrical 180 2929.18 lm | | | | |
| Operator Temperature Humidity Notes | 25.00 °C 60.00 % | Source Voltage [V] Source current [A] Photocell | | | | | |

| Line | Code | Luminaire Lamps | Flux [lm] | Pow. [W] | Q.ty |
|-----------------|-----------------------------------|-------------------------------|-------------|----------|------|
| | FLUORESCENT | Name FLUORESCENT - 39.00 W | 2929.18 | 39.00 | 1 |
| C.I.E. F UTE | 29 57 81 71 36 0.26 H + 0.11 T | D DIN 5040 B NBN | B11 BZ 7 | | |

880mm x 40mm



ULOR 10.58 %
DLOR 25.88 %
RN 29.01 %



Luminaire

Code 05-2328-21-M1
Name WALL LIGHT

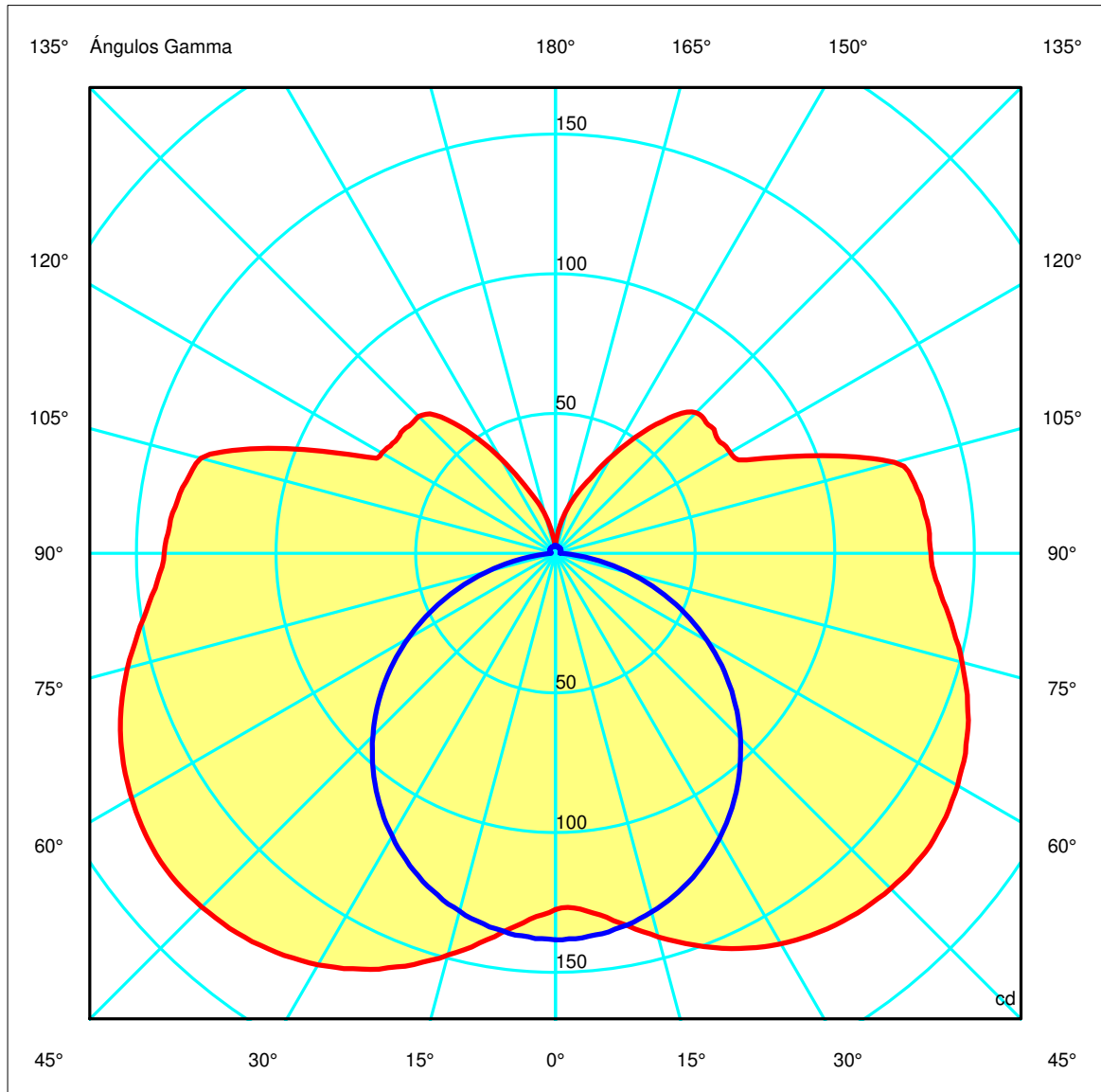
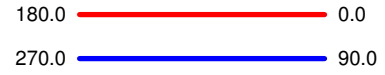
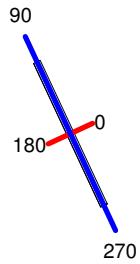
Measur.

Code 05-2328-21-M1
Name WALL LIGHT

| | | | | | | | |
|----------------|------------|-----------------|-----------|----------|------------------|------------|--------------|
| Luminaire Flux | 1067.74 lm | Luminaire Power | 39.00 W | Efficacy | 27.38 lm/W | Efficiency | 36.45% |
| Lamps Flux | 2929.18 lm | Maximum value | 179.67 cd | Position | C=180.00 G=49.00 | CG | Asymmetrical |

880mm x 40mm

Semiplanos C



Luminaire

Code 05-2328-21-M1

Name WALL LIGHT

Measur.

Code 05-2328-21-M1

Name WALL LIGHT

| | | | | | | | |
|----------------|------------|-----------------|-----------|----------|------------------|------------|--------------|
| Luminaire Flux | 1067.74 lm | Luminaire Power | 39.00 W | Efficacy | 27.38 lm/W | Efficiency | 36.45% |
| Lamps Flux | 2929.18 lm | Maximum value | 179.67 cd | Position | C=180.00 G=49.00 | CG | Asymmetrical |

Apertura a la derecha no hallada, gamma =-49

Apertura a la derecha no hallada, gamma =-49

Apertura a la derecha no hallada, gamma =-49

Luminaire

Code 05-2328-21-M1
Name WALL LIGHT

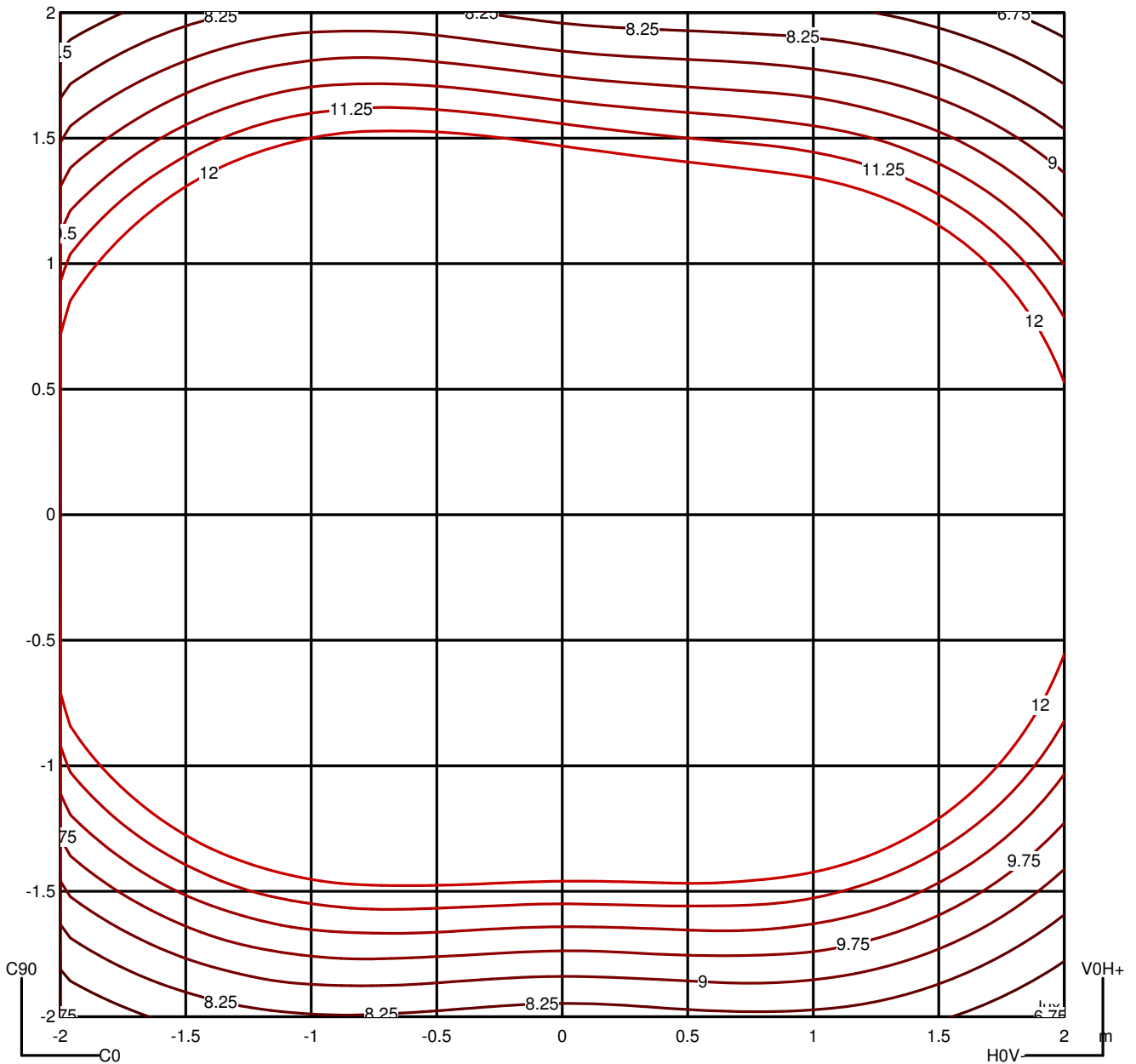
Measur.

Code 05-2328-21-M1
Name WALL LIGHT

| | | | | | | | |
|----------------|------------|-----------------|-----------|----------|------------------|------------|--------------|
| Luminaire Flux | 1067.74 lm | Luminaire Power | 39.00 W | Efficacy | 27.38 lm/W | Efficiency | 36.45% |
| Lamps Flux | 2929.18 lm | Maximum value | 179.67 cd | Position | C=180.00 G=49.00 | CG | Asymmetrical |

Isolux (Floor)

Luminaire position X=0.00m Y=0.00m Z=2.50m



Luminaire

Code 05-2328-21-M1
Name WALL LIGHT

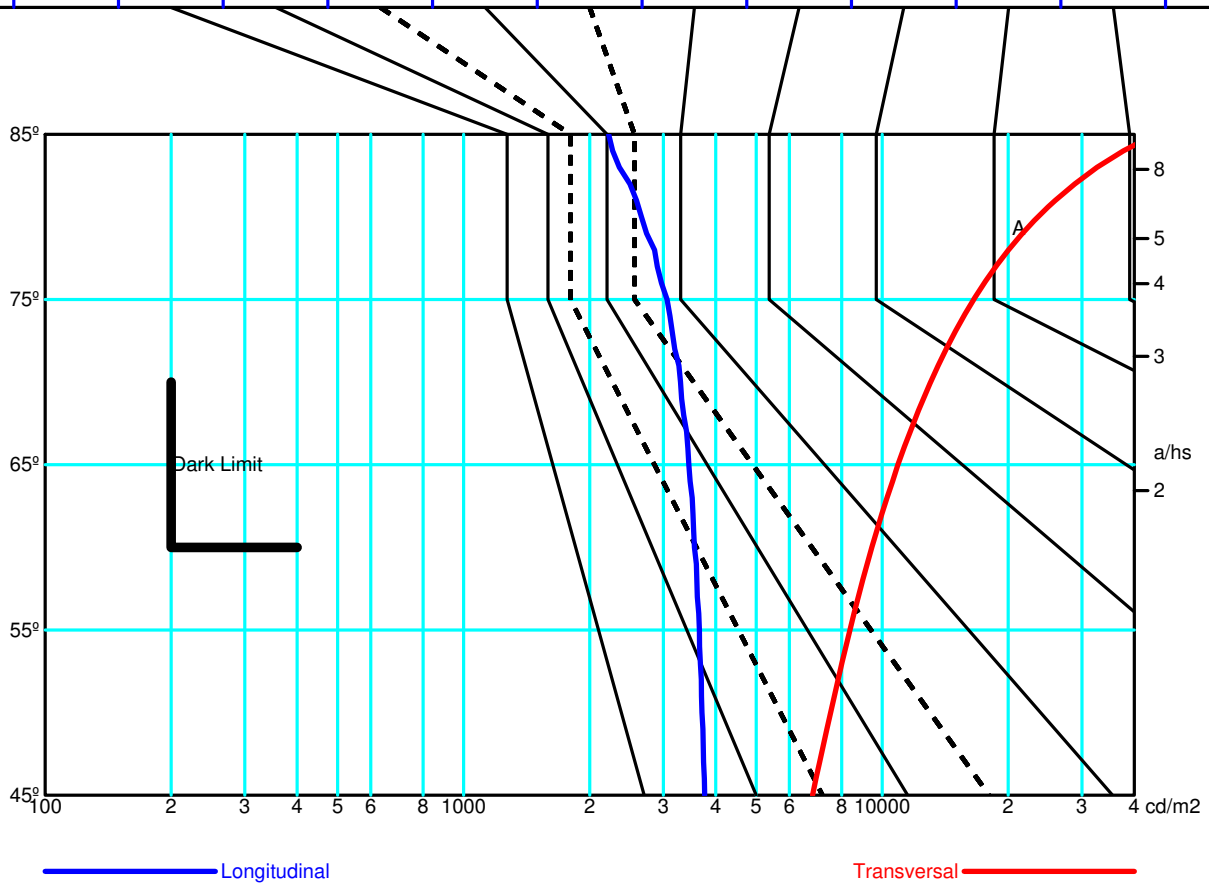
Measurment

Code 05-2328-21-M1
Name WALL LIGHT

| | | | | | | | |
|----------------|------------|-----------------|-----------|----------|------------------|------------|--------------|
| Luminaire Flux | 1067.74 lm | Luminaire Power | 39.00 W | Efficacy | 27.38 lm/W | Efficiency | 36.45% |
| Lamps Flux | 2929.18 lm | Maximum value | 179.67 cd | Position | C=180.00 G=49.00 | CG | Asymmetrical |

| | | | | | | | | | | |
|-------|--|------|------|------|-------|-------|-------|-------|-------|-----|
| | Average Luminance [cd/m ²] | | | | | | | | | |
| | 45° | 50° | 55° | 60° | 65° | 70° | 75° | 80° | 85° | |
| 0.0° | 6819 | 7521 | 8367 | 9447 | 10903 | 13039 | 16538 | 23547 | 44894 | --- |
| 90.0° | 3765 | 3710 | 3658 | 3560 | 3450 | 3296 | 3063 | 2660 | 2220 | --- |

| Flujo montado o vista longitudinal | | | | | | | | | | | | |
|------------------------------------|---|------------------|------|------|------|-----|------|------|------|------|------|------|
| | | Iluminancia (lx) | | | | | | | | | | |
| A | A | 2000 | 1000 | 750 | 500 | | <300 | | | | | 1.15 |
| B | 1 | | 2000 | 1500 | 1000 | 750 | 500 | <300 | | | | 1.5 |
| C | | | | | 2000 | | 1000 | 500 | <300 | | | 1.85 |
| D | 2 | | | | | | 2000 | 1000 | 500 | <300 | | 2.2 |
| E | 3 | | | | | | | 2000 | 1000 | 500 | <300 | 2.55 |



Luminaire

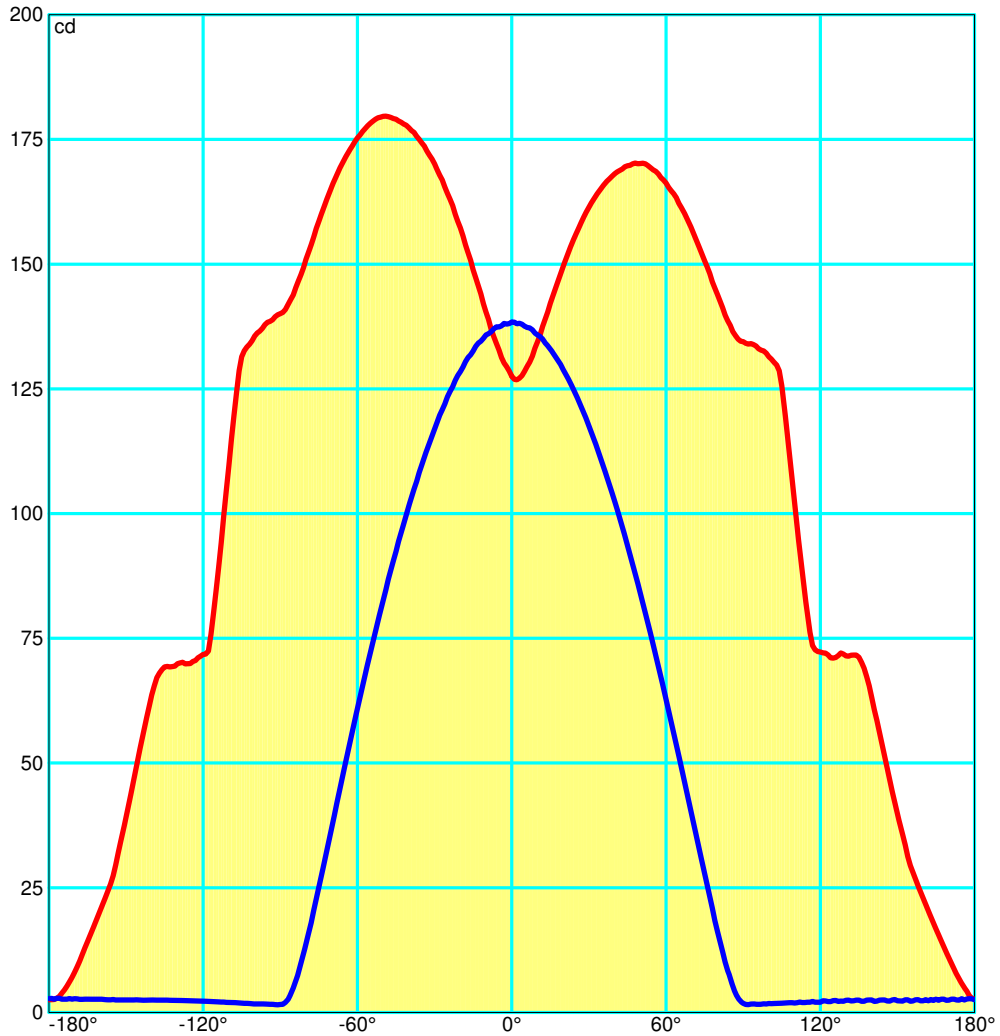
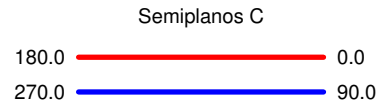
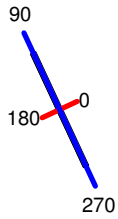
Code 05-2328-21-M1
Name WALL LIGHT

Measur.

Code 05-2328-21-M1
Name WALL LIGHT

| | | | | | | | |
|----------------|------------|-----------------|-----------|----------|------------------|------------|--------------|
| Luminaire Flux | 1067.74 lm | Luminaire Power | 39.00 W | Efficacy | 27.38 lm/W | Efficiency | 36.45% |
| Lamps Flux | 2929.18 lm | Maximum value | 179.67 cd | Position | C=180.00 G=49.00 | CG | Asymmetrical |

880mm x 40mm



Luminaire

Code 05-2328-21-M1
Name WALL LIGHT

Measurement

Code 05-2328-21-M1
Name WALL LIGHT

| | | | | | | | |
|----------------|------------|-----------------|-----------|----------|------------------|------------|--------------|
| Luminaire Flux | 1067.74 lm | Luminaire Power | 39.00 W | Efficacy | 27.38 lm/W | Efficiency | 36.45% |
| Lamps Flux | 2929.18 lm | Maximum value | 179.67 cd | Position | C=180.00 G=49.00 | CG | Asymmetrical |

UGR
S = 0.250

| Reflectancies | | | | | | | | | | |
|----------------|-----------------|------|------|------|------|---------------|------|------|------|------|
| Ceiling/Cavity | 0.7 | 0.7 | 0.5 | 0.5 | 0.3 | 0.7 | 0.7 | 0.5 | 0.5 | 0.3 |
| Walls | 0.5 | 0.3 | 0.5 | 0.3 | 0.3 | 0.5 | 0.3 | 0.5 | 0.3 | 0.3 |
| WorkingPlane | 0.2 | 0.2 | 0.2 | 0.2 | 0.2 | 0.2 | 0.2 | 0.2 | 0.2 | 0.2 |
| RoomDimensions | ViewedCrosswise | | | | | ViewedEndwise | | | | |
| x=2H y=2H | 19.2 | 20.3 | 19.8 | 21.0 | 17.6 | 14.9 | 16.1 | 15.6 | 16.8 | 17.6 |
| x=2H y=3H | 22.4 | 23.4 | 23.1 | 24.2 | 19.0 | 16.4 | 17.4 | 17.1 | 18.2 | 19.0 |
| x=2H y=4H | 24.1 | 25.1 | 24.9 | 25.8 | 19.6 | 16.9 | 17.9 | 17.7 | 18.6 | 19.6 |
| x=2H y=6H | 26.1 | 27.0 | 26.8 | 27.7 | 19.8 | 17.2 | 18.1 | 18.0 | 18.9 | 19.8 |
| x=2H y=8H | 27.1 | 28.0 | 27.8 | 28.8 | 19.8 | 17.3 | 18.2 | 18.0 | 18.9 | 19.8 |
| x=2H y=12H | 28.3 | 29.2 | 29.1 | 29.9 | 19.8 | 17.3 | 18.1 | 18.0 | 18.9 | 19.8 |
| x=4H y=2H | 19.9 | 20.9 | 20.6 | 21.6 | 19.8 | 17.2 | 18.2 | 17.9 | 18.9 | 19.8 |
| x=4H y=3H | 23.3 | 24.2 | 24.1 | 24.9 | 21.6 | 19.1 | 19.9 | 19.8 | 20.7 | 21.6 |
| x=4H y=4H | 25.3 | 26.0 | 26.0 | 26.8 | 22.4 | 19.9 | 20.7 | 20.7 | 21.4 | 22.4 |
| x=4H y=6H | 27.4 | 28.1 | 28.2 | 28.9 | 22.9 | 20.4 | 21.1 | 21.2 | 21.9 | 22.9 |
| x=4H y=8H | 28.6 | 29.2 | 29.4 | 30.1 | 23.0 | 20.5 | 21.2 | 21.4 | 22.0 | 23.0 |
| x=4H y=12H | 30.0 | 30.6 | 30.8 | 31.4 | 23.0 | 20.6 | 21.2 | 21.4 | 22.0 | 23.0 |
| x=8H y=4H | 25.7 | 26.4 | 26.5 | 27.2 | 24.4 | 21.9 | 22.5 | 22.7 | 23.3 | 24.4 |
| x=8H y=6H | 28.2 | 28.7 | 29.0 | 29.5 | 25.4 | 23.0 | 23.5 | 23.8 | 24.4 | 25.4 |
| x=8H y=8H | 29.6 | 30.1 | 30.4 | 30.9 | 25.8 | 23.4 | 23.9 | 24.3 | 24.8 | 25.8 |
| x=8H y=12H | 31.2 | 31.6 | 32.1 | 32.5 | 26.1 | 23.7 | 24.1 | 24.6 | 25.0 | 26.1 |
| x=12H y=4H | 25.8 | 26.4 | 26.6 | 27.2 | 24.9 | 22.5 | 23.1 | 23.3 | 23.9 | 24.9 |
| x=12H y=6H | 28.3 | 28.8 | 29.2 | 29.7 | 26.3 | 24.0 | 24.5 | 24.8 | 25.3 | 26.3 |
| x=12H y=8H | 29.8 | 30.3 | 30.7 | 31.1 | 27.0 | 24.7 | 25.1 | 25.5 | 26.0 | 27.0 |

Luminaire

 Code 05-2328-21-M1
 Name WALL LIGHT

Measuram.

 Code 05-2328-21-M1
 Name WALL LIGHT

| | | | | | | | |
|----------------|------------|-----------------|-----------|----------|------------------|------------|--------------|
| Luminaire Flux | 1067.74 lm | Luminaire Power | 39.00 W | Efficacy | 27.38 lm/W | Efficiency | 36.45% |
| Lamps Flux | 2929.18 lm | Maximum value | 179.67 cd | Position | C=180.00 G=49.00 | CG | Asymmetrical |

Flujo Total=2929.18 Flujo Luminaria=1067.74

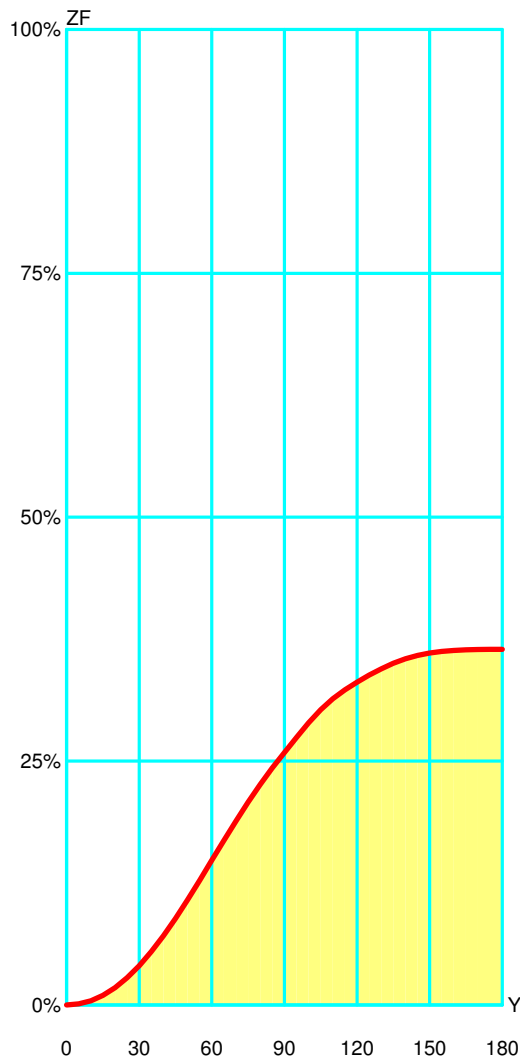
| | | | | | | | | | | | | |
|-----|------|------|------|------|------|------|------|------|------|------|-------|-------|
| RI | 0.60 | 0.80 | 1.00 | 1.25 | 1.50 | 2.00 | 2.50 | 3.00 | 4.00 | 5.00 | 10.00 | 20.00 |
| DRR | 0.18 | 0.25 | 0.31 | 0.38 | 0.43 | 0.51 | 0.58 | 0.62 | 0.69 | 0.73 | 0.83 | 0.90 |
| RC | 8 | 8 | 8 | 8 | 8 | 8 | 8 | 8 | 8 | 8 | 8 | 8 |

Flujo Zonal por 1000 Lúmenes

| | | | | | | | | | | | | | | | | | | |
|-------|----|----|----|----|-----|-----|-----|-----|-----|-----|-----|-----|-----|-----|-----|-----|-----|-----|
| Y° | 10 | 20 | 30 | 40 | 50 | 60 | 70 | 80 | 90 | 100 | 110 | 120 | 130 | 140 | 150 | 160 | 170 | 180 |
| ZF(Y) | 4 | 18 | 40 | 71 | 108 | 148 | 189 | 226 | 259 | 289 | 314 | 331 | 345 | 355 | 361 | 363 | 364 | 365 |

Códigos de Flujo C.I.E.
29 57 81 71 36

| | | | |
|------------|-----------------|------|------------|
| C.I.E. | 8 | LOR | 36.45192 % |
| D DIN 5040 | B11 | ULOR | 10.57602 % |
| F UTE | 0.26 H + 0.11 T | DLOR | 25.87590 % |
| B NBN | BZ 7 | UFF | 29.01362 % |
| RN | 29.01362 % | DFF | 70.98638 % |
| BLF | 1.0 | FFR | 40.87210 % |



| Gamma ° | Flujo Zonal | | | |
|---------|-------------|---------|-----------|----------|
| | Flujo | Suma lm | Flujo [%] | Suma [%] |
| 0° | 0.00 | 0.00 | 0.00% | 0.00 % |
| 5° | 1.07 | 1.07 | 0.29% | 0.29 % |
| 10° | 3.25 | 4.32 | 0.89% | 1.18 % |
| 15° | 5.51 | 9.83 | 1.51% | 2.70 % |
| 20° | 7.83 | 17.67 | 2.15% | 4.85 % |
| 25° | 10.15 | 27.81 | 2.78% | 7.63 % |
| 30° | 12.37 | 40.19 | 3.39% | 11.02 % |
| 35° | 14.44 | 54.63 | 3.96% | 14.99 % |
| 40° | 16.29 | 70.92 | 4.47% | 19.45 % |
| 45° | 17.85 | 88.77 | 4.90% | 24.35 % |
| 50° | 19.09 | 107.86 | 5.24% | 29.59 % |
| 55° | 19.97 | 127.83 | 5.48% | 35.07 % |
| 60° | 20.42 | 148.24 | 5.60% | 40.67 % |
| 65° | 20.43 | 168.67 | 5.60% | 46.27 % |
| 70° | 20.04 | 188.71 | 5.50% | 51.77 % |
| 75° | 19.24 | 207.95 | 5.28% | 57.05 % |
| 80° | 18.11 | 226.06 | 4.97% | 62.01 % |
| 85° | 16.85 | 242.91 | 4.62% | 66.64 % |
| 90° | 15.85 | 258.76 | 4.35% | 70.99 % |
| 95° | 15.49 | 274.25 | 4.25% | 75.24 % |
| 100° | 15.00 | 289.24 | 4.11% | 79.35 % |
| 105° | 13.44 | 302.69 | 3.69% | 83.04 % |
| 110° | 11.24 | 313.93 | 3.08% | 86.12 % |
| 115° | 9.09 | 323.02 | 2.49% | 88.61 % |
| 120° | 7.85 | 330.87 | 2.15% | 90.77 % |
| 125° | 7.20 | 338.06 | 1.97% | 92.74 % |
| 130° | 6.50 | 344.57 | 1.78% | 94.53 % |
| 135° | 5.72 | 350.28 | 1.57% | 96.09 % |
| 140° | 4.64 | 354.92 | 1.27% | 97.37 % |
| 145° | 3.46 | 358.38 | 0.95% | 98.32 % |
| 150° | 2.44 | 360.82 | 0.67% | 98.99 % |
| 155° | 1.61 | 362.44 | 0.44% | 99.43 % |
| 160° | 1.03 | 363.47 | 0.28% | 99.71 % |
| 165° | 0.61 | 364.08 | 0.17% | 99.88 % |
| 170° | 0.30 | 364.37 | 0.08% | 99.96 % |
| 175° | 0.12 | 364.49 | 0.03% | 99.99 % |
| 180° | 0.03 | 364.52 | 0.01% | 100.00 % |

Luminaire

 Code 05-2328-21-M1
 Name WALL LIGHT

Measurment

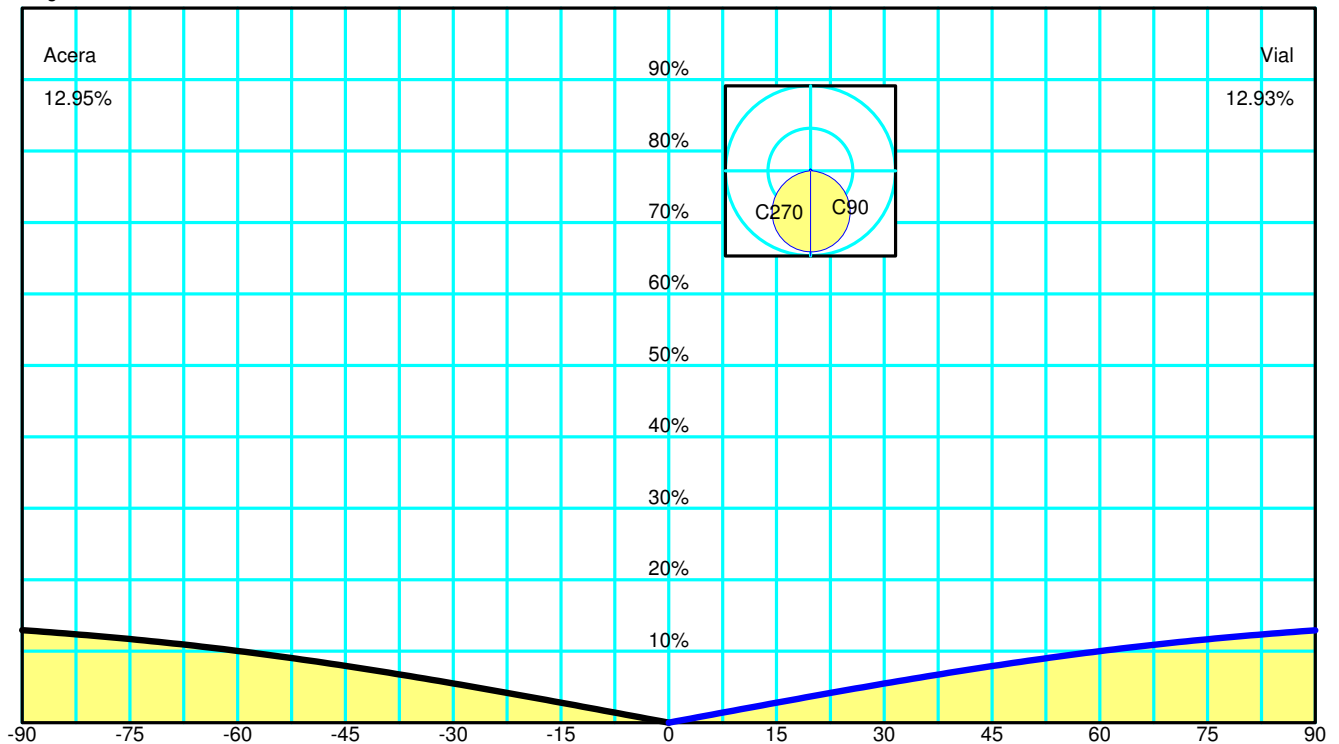
 Code 05-2328-21-M1
 Name WALL LIGHT

| | | | | | | | |
|----------------|------------|-----------------|-----------|----------|------------------|------------|--------------|
| Luminaire Flux | 1067.74 lm | Luminaire Power | 39.00 W | Efficacy | 27.38 lm/W | Efficiency | 36.45% |
| Lamps Flux | 2929.18 lm | Maximum value | 179.67 cd | Position | C=180.00 G=49.00 | CG | Asymmetrical |

| Pavement | | | Road | | |
|----------|-----|--------|-------|----|--------|
| Piano | 0 | 0.00% | Piano | 0 | 0.00% |
| Piano | -5 | 0.94% | Piano | 5 | 0.94% |
| Piano | -10 | 1.87% | Piano | 10 | 1.87% |
| Piano | -15 | 2.80% | Piano | 15 | 2.80% |
| Piano | -20 | 3.72% | Piano | 20 | 3.71% |
| Piano | -25 | 4.61% | Piano | 25 | 4.60% |
| Piano | -30 | 5.49% | Piano | 30 | 5.48% |
| Piano | -35 | 6.34% | Piano | 35 | 6.32% |
| Piano | -40 | 7.16% | Piano | 40 | 7.14% |
| Piano | -45 | 7.94% | Piano | 45 | 7.92% |
| Piano | -50 | 8.69% | Piano | 50 | 8.66% |
| Piano | -55 | 9.39% | Piano | 55 | 9.36% |
| Piano | -60 | 10.04% | Piano | 60 | 10.01% |
| Piano | -65 | 10.65% | Piano | 65 | 10.62% |
| Piano | -70 | 11.20% | Piano | 70 | 11.17% |
| Piano | -75 | 11.70% | Piano | 75 | 11.68% |
| Piano | -80 | 12.16% | Piano | 80 | 12.13% |
| Piano | -85 | 12.57% | Piano | 85 | 12.54% |
| Piano | -90 | 12.95% | Piano | 90 | 12.93% |

Ángulo de Inclinación = 0.0

DLOR = 25.88%

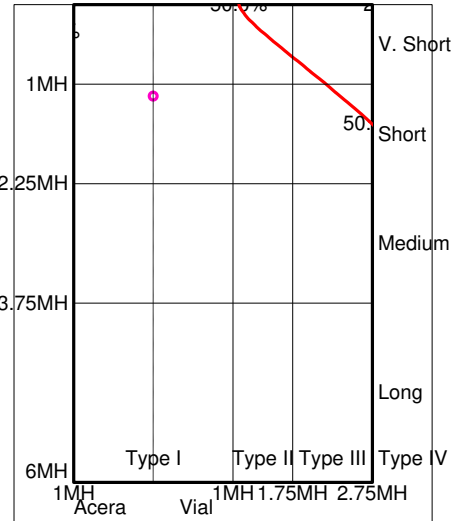
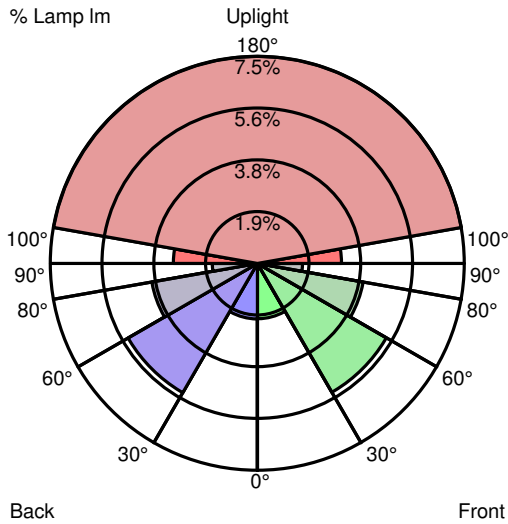


| | | | |
|----------------------------------|---|------------------------------|------------|
| Spread | 23.9° Estrecho | DLOR | 25.87590 % |
| Throw | 47.9° Corto | ULOR | 10.57602 % |
| SLI (deslumbramiento) | Concentrado | Rendimiento | 36.45192 % |
| Cutoff CIE | Semi Cutoff - Max: C=180.0° Gamma=49.0° | RN | 29.01362 % |
| Cutoff Iesna | Semi Cutoff | Clase de Intensidad Luminosa | G1 |
| DIN5044 | KB2 | Índice de Deslumbramiento | D3 |
| IESNA Type IV Short Asymmetrical | | | |

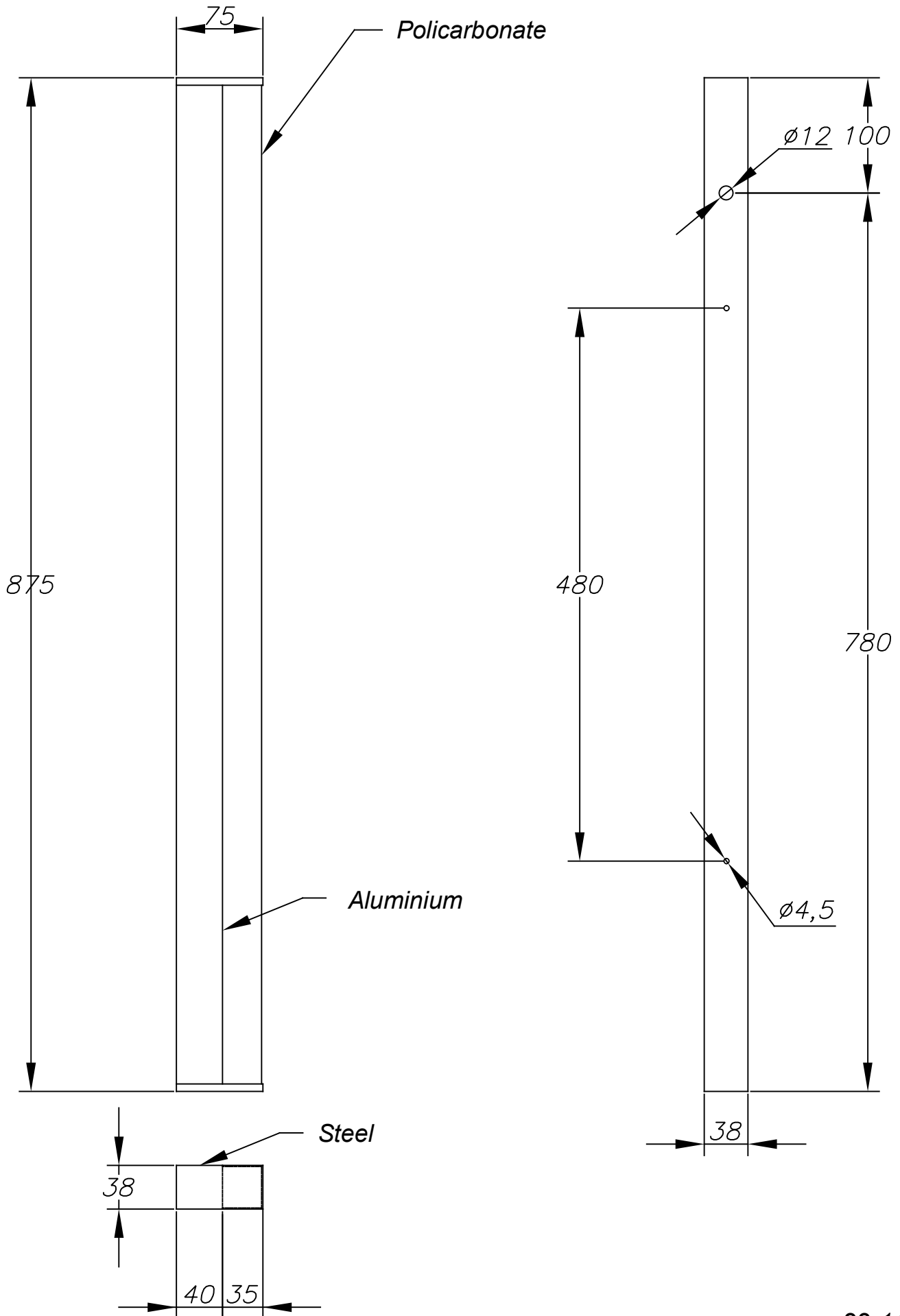
Luminaire
 Code 05-2328-21-M1
 Name WALL LIGHT
Measuram.
 Code 05-2328-21-M1
 Name WALL LIGHT

| | | | | | | | |
|----------------|------------|-----------------|-----------|----------|------------------|------------|--------------|
| Luminaire Flux | 1067.74 lm | Luminaire Power | 39.00 W | Efficacy | 27.38 lm/W | Efficiency | 36.45% |
| Lamps Flux | 2929.18 lm | Maximum value | 179.67 cd | Position | C=180.00 G=49.00 | CG | Asymmetrical |

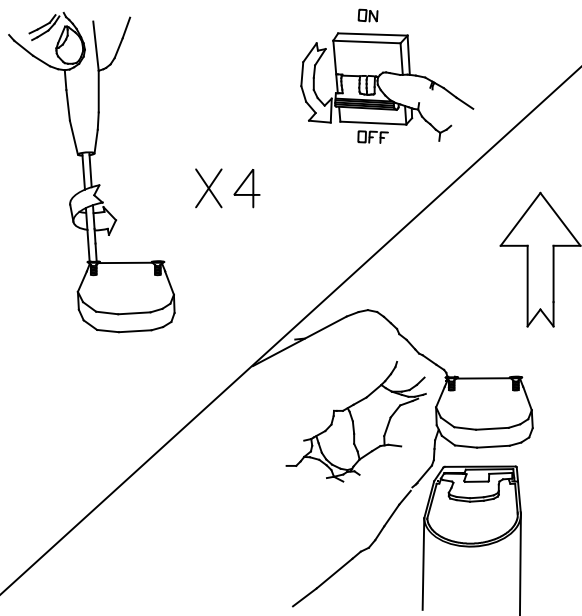
US ROAD STANDARDS



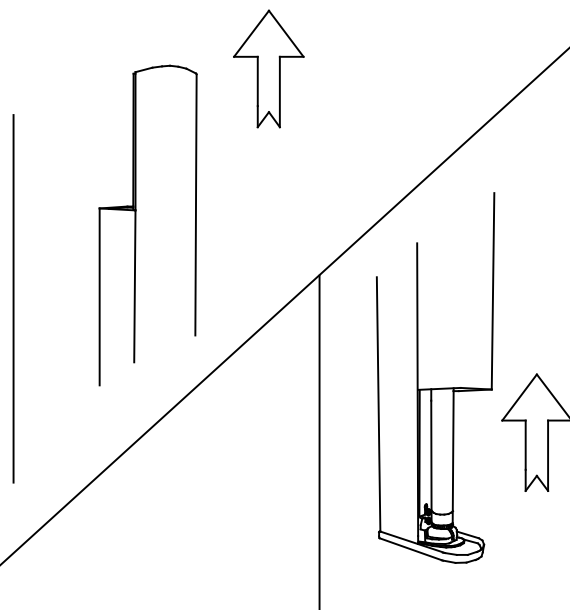
| Luminaire Classification System (LCS) | | | |
|---|--------------|-----------------|----------------------------|
| LCS Zone | | Lumens | %Lamp %Lum |
| FL | 0° -- 30° | 35.1 lm | 2.0 % 5.5 % |
| FM | 30° -- 60° | 94.5 lm | 5.4 % 14.8 % |
| FH | 60° -- 80° | 68.1 lm | 3.9 % 10.7 % |
| FVH | 80° -- 90° | 28.6 lm | 1.6 % 4.5 % |
| BL | 0° -- 30° | 35.3 lm | 2.0 % 5.5 % |
| BM | 30° -- 60° | 94.8 lm | 5.4 % 14.9 % |
| BH | 60° -- 80° | 68.1 lm | 3.9 % 10.7 % |
| BVH | 80° -- 90° | 28.6 lm | 1.6 % 4.5 % |
| UL | 90° -- 100° | 53.4 lm | 3.1 % 8.4 % |
| UH | 100° -- 180° | 131.4 lm | 7.5 % 20.6 % |
| TOTALS | | 637.9 lm | 36.5 % 100.0 % |
| BUG B0 U3 G1 Type IV Short Asymmetrical | | | |



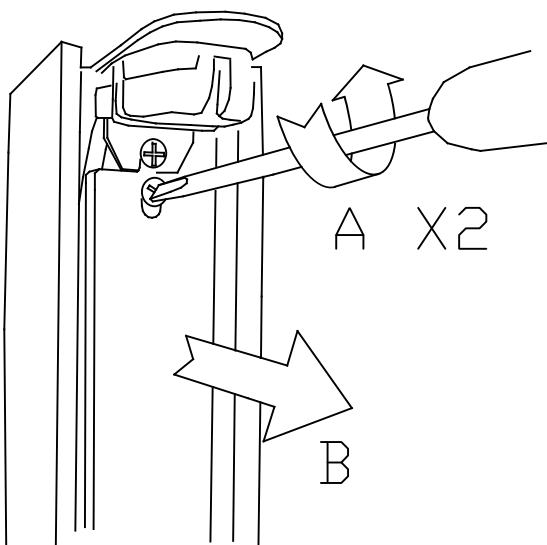
1



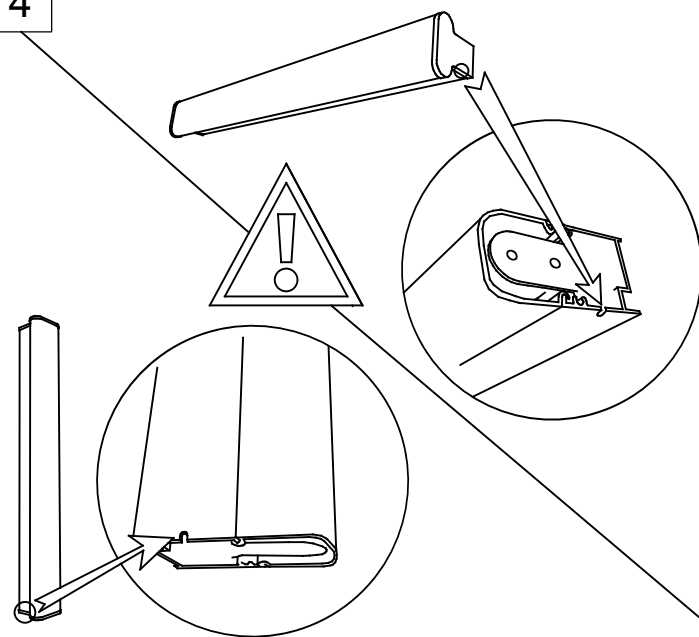
2



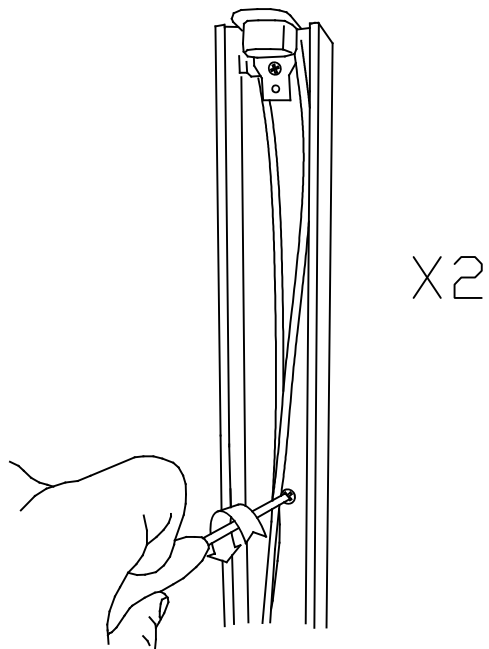
3



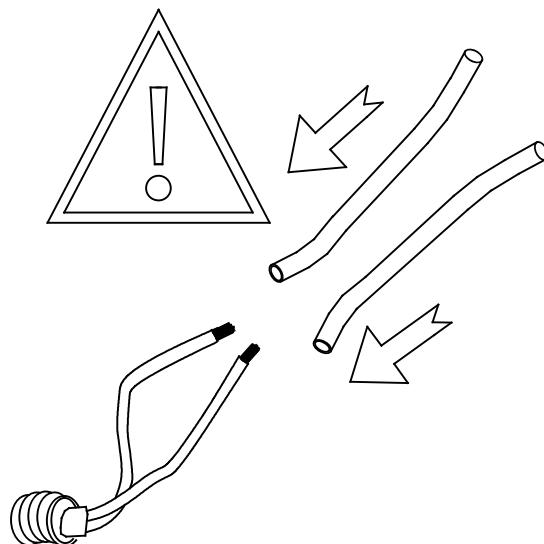
4



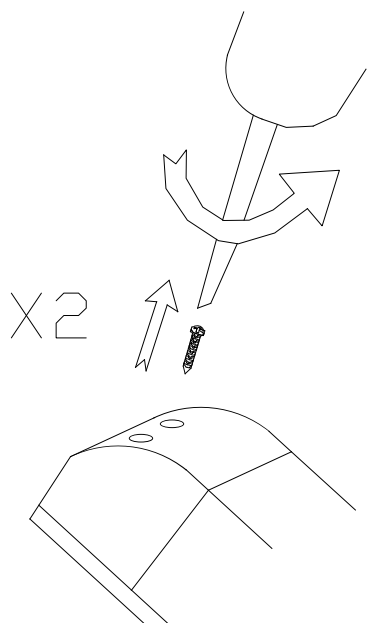
5



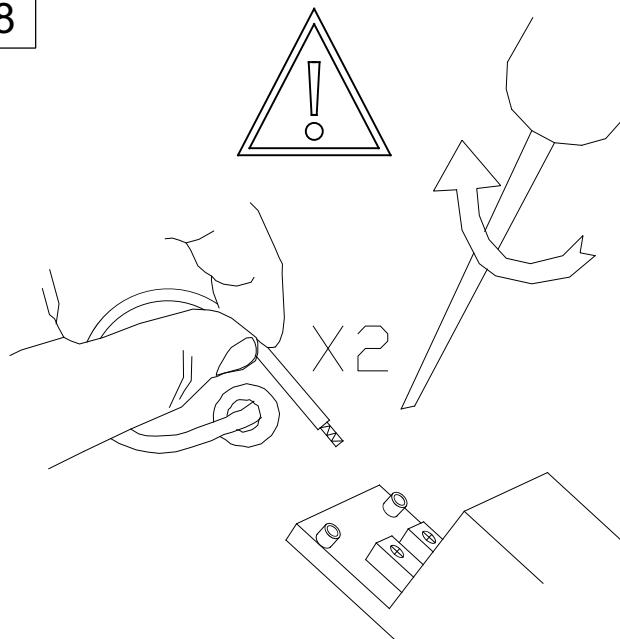
6



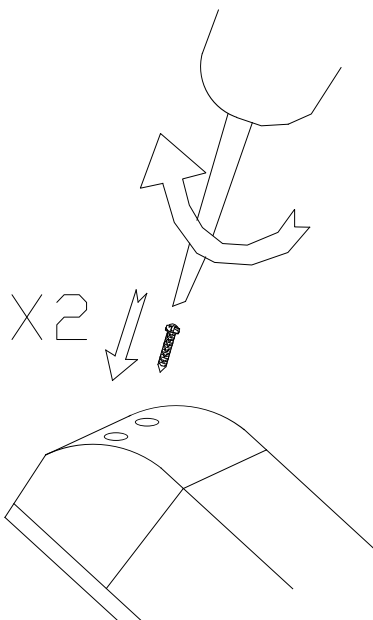
7



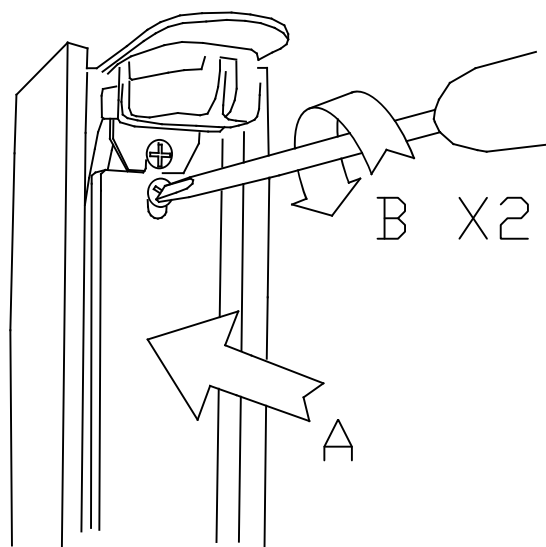
8



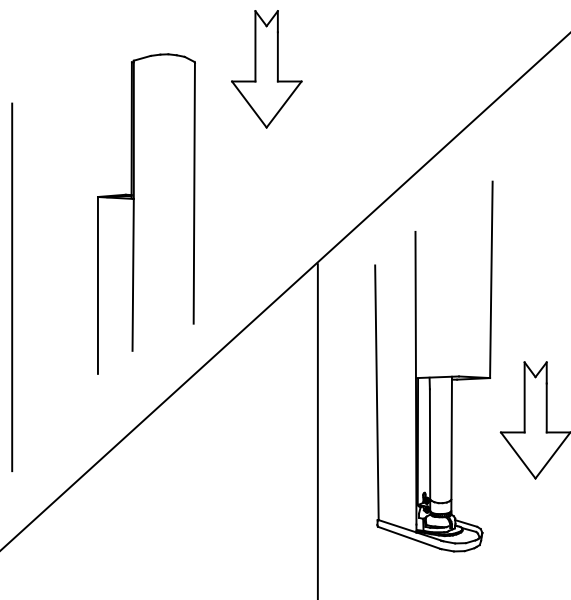
9



10



11



12

