



Oval 300mm

05-2019-S2-14

Wall fixture Oval 300mm LED 9.5W 3000K Satin aluminium 764lm

TECHNICAL FEATURES



IP20



Power (W) : 9.5W

Total power consumption of light (W) : 11.3W

Real lumens : 764

Real lm/W : 68

Correlated Colour Temperature (CCT) : LED warm-white 3000K

Structure material : Aluminium

Structure finish : Satin aluminium

Driver Brand : HEP

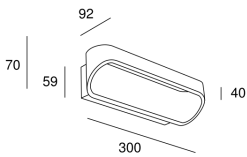
Voltage / frequency : 100-240V/50-60Hz

Power Factor : 0.50

Useful life : 50.000h L80B20

Warranty : 5 Years

Energy efficiency : LED A++



LUMINOTECHNIC FEATURES

Light source: LED CITIZEN

CRI: 80

MacAdam steps: 3

Photobiological risk: RG1

VENTILATION FEATURES

Power used: 11.3W

Service value measurement standard: EN 60879:2019

LOGISTICS

Net weight (kg): 0.88

Packaged weight (kg): 1.2

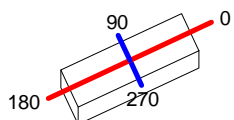
Packaging: 335mm x 110mm x 115mm



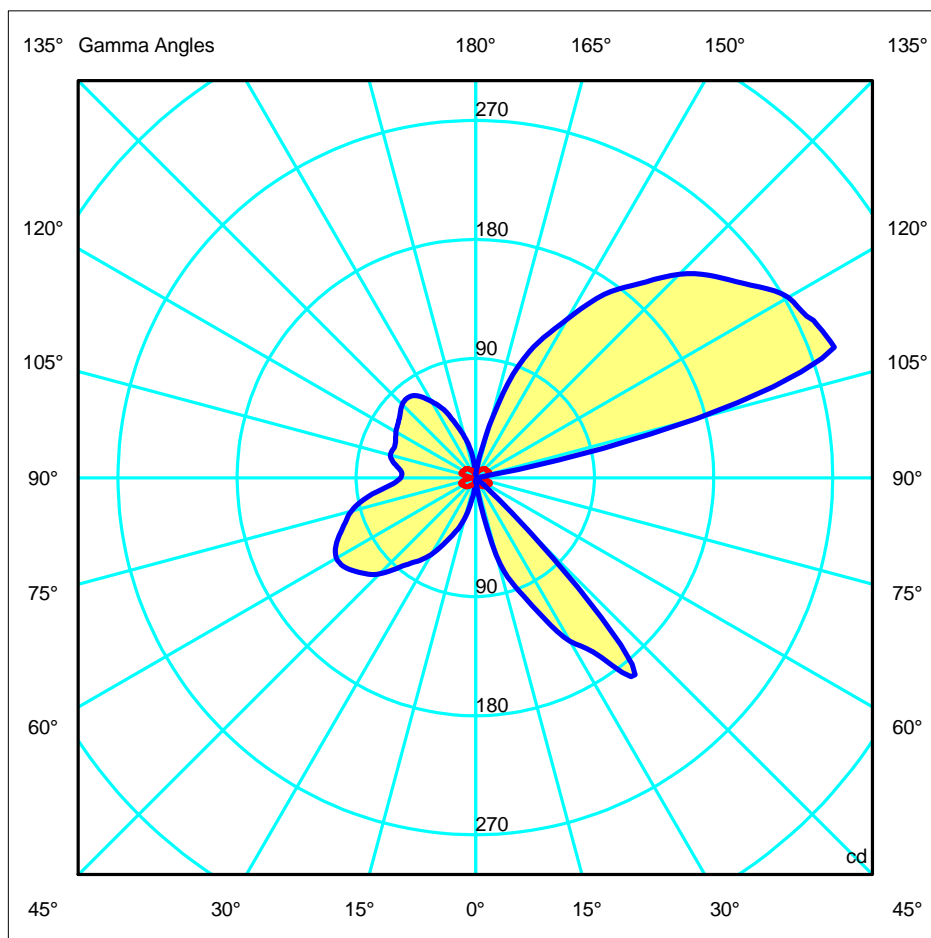
Luminaire		Measur.		Lamp		
Code	05-2019	Code	05-2019	Code	05-2019	
Name	Aplique led 8W	Name	Aplique led 8W	Number	2	
Line	Eulumdat	Date	15-02-2013	Position		
Efficiency	100.00%	Coordinate system	CG	Total Flux	764.00 lm	
Maximum value	288.54 cd	Position	C=90.00 G=110.00	Sym. on planes	270-90	
Rectangular Luminaire	Length	92 mm	Width	300 mm	Height	70 mm
Rectangular Luminous Area	Length	47 mm	Width	300 mm	Height	70 mm
Horizontal Luminous Area	0.014100 m2	Emitting area on Plane 180°	0.003290 m2			
Emitting area on Plane 0°	0.003290 m2	Emitting area on Plane 270°	0.021000 m2			
Emitting area on Plane 90°	0.021000 m2	Glare area at 76°	0.006603 m2			
Symmetry Type	Sym. on planes 270-90	Maximum Gamma Angle	180			
Measurement Distance	0.00	Measurement Flux	339.55 lm			
Operator	Asselum T2	Source voltage				
Temperature	25.00 °C	Source current				
Humidity	60.00 %	Photocell				
Notes						

Luminaire Lamps					
Line	Code	Name	Flux [lm]	Pow. [W]	Q.ty
Eulumdat	05-2019	05-2019 - 8.00 W	382.00	8.00	2
C.I.E.	30 64 87 38 100	D DIN 5040	D12		
F UTE	0.38 I + 0.62 T	B NBN	BZ 7 / 1 / BZ 6		

92mm x 300mm



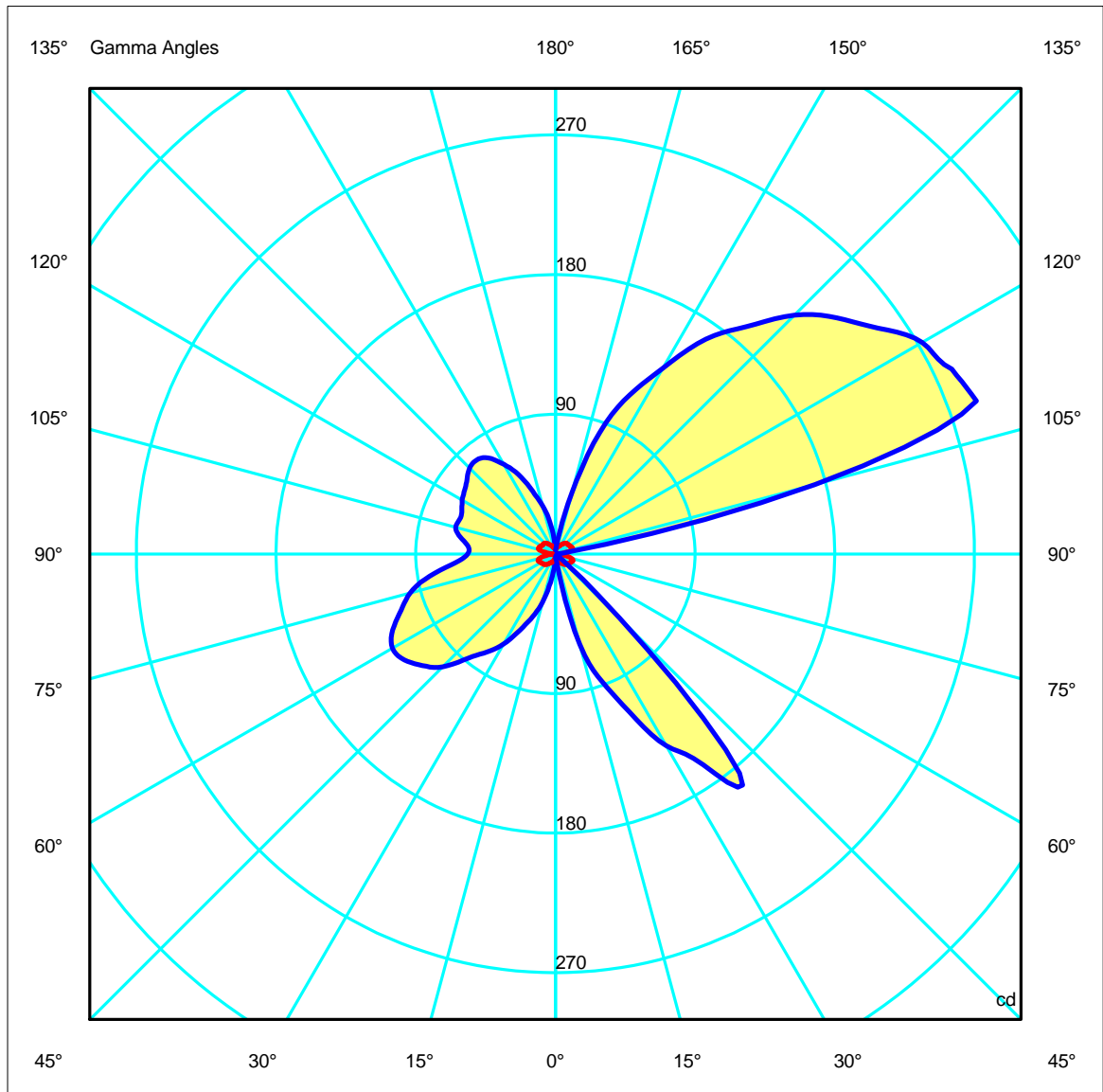
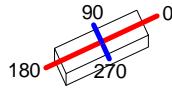
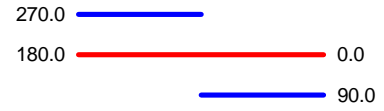
ULOR	62.15 %
DLOR	37.85 %
RN	62.15 %



Luminaire		Measur.		Lamp	
Code	05-2019	Code	05-2019	Code	05-2019
Name	Aplique led 8W	Name	Aplique led 8W	Number	2
Line	Eulumdat	Date	15-02-2013	Position	
Efficiency	100.00%	Coordinate system	CG	Total Flux	764.00 lm

92mm x 300mm

C Halfplanes



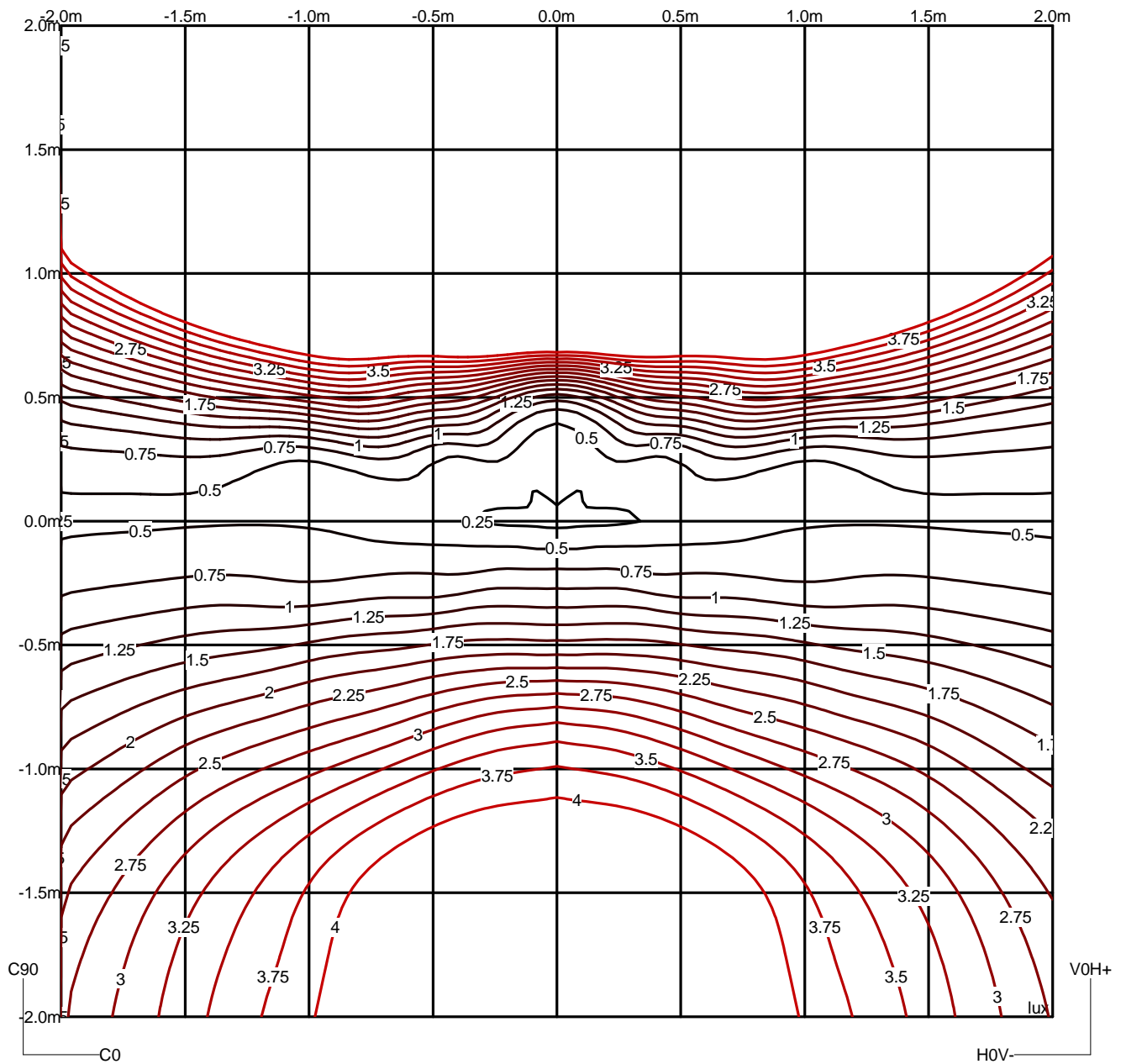
Luminaire		Measurem.		Lamp		
Code	05-2019	Code	05-2019	Code	05-2019	
Name	Aplique led 8W	Name	Aplique led 8W	Number	2	
Line	Eulmdat	Date	15-02-2013	Position		
Efficiency		100.00%	Coordinate system	CG	Total Flux	764.00 lm

Could not find 90270 left beam angle•gamma0180=72

Luminaire		Measur.		Lamp	
Code	05-2019	Code	05-2019	Code	05-2019
Name	Aplique led 8W	Name	Aplique led 8W	Number	2
Line	Eulumdat	Date	15-02-2013	Position	
Efficiency	100.00%	Coordinate system	CG	Total Flux	764.00 lm

Isolux (Floor)

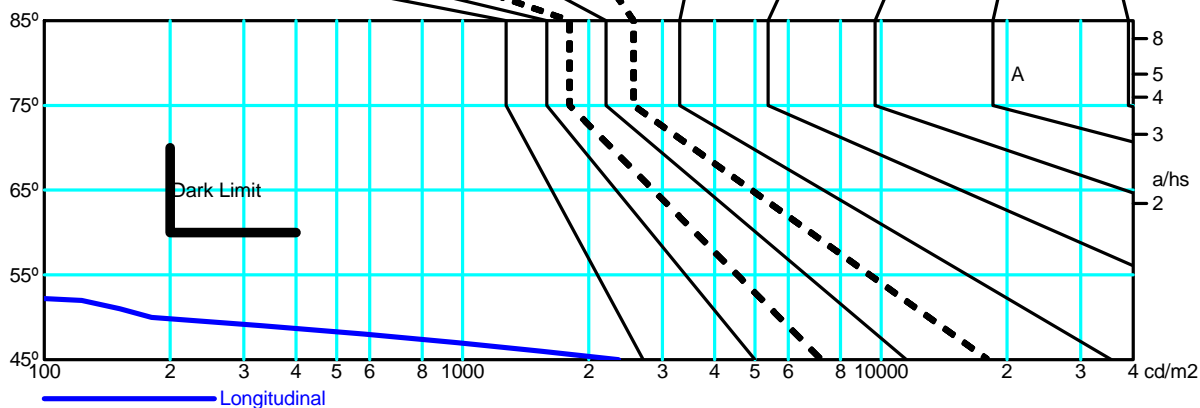
Luminaire position X=0.00m Y=0.00m Z=3.00m



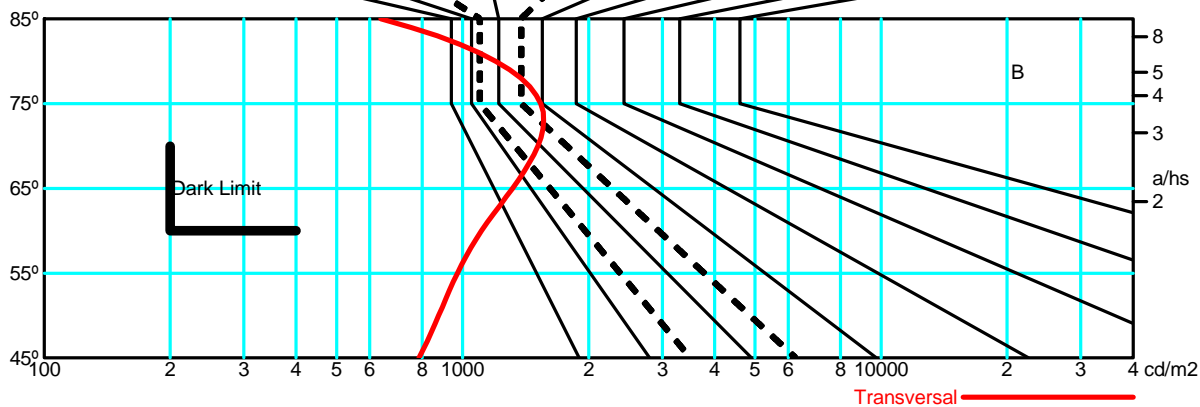
Luminaire		Measur.		Lamp	
Code	05-2019	Code	05-2019	Code	05-2019
Name	Aplique led 8W	Name	Aplique led 8W	Number	2
Line	Eulumdat	Date	15-02-2013	Position	
Efficiency	100.00%	Coordinate system	CG	Total Flux	764.00 lm

Average Luminance [cd/m ²]										
0.0°	45°	50°	55°	60°	65°	70°	75°	80°	85°	
786	876	971	1109	1316	1513	1537	1201	638	---	
90.0°	2360	181	37	44	36	37	42	43	45	---

Flush mounted or longitudinal view												
Illumination (lx)												
A	A	2000	1000	750	500	<300					1.15	
B	1		2000	1500	1000	750	500	<300			1.5	
C					2000		1000	500	<300		1.85	
D	2						2000	1000	500	<300	2.2	
E	3							2000	1000	500	<300	2.55



Flush mounted or transversal view												
Illumination (lx)												
A	A	2000	1000	750	500	<300					1.15	
B	1		2000	1500	1000	750	500	<300			1.5	
C					2000		1000	500	<300		1.85	
D	2						2000	1000	500	<300	2.2	
E	3							2000	1000	500	<300	2.55



Luminaire

Code 05-2019
 Name Applique led 8W
 Line Eulumdat

Measur.

Code 05-2019
 Name Applique led 8W
 Date 15-02-2013

Lamp

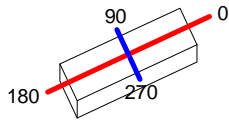
Code 05-2019
 Number 2
 Position

Efficiency 100.00%

Coordinate system CG

Total Flux 764.00 lm

92mm x 300mm

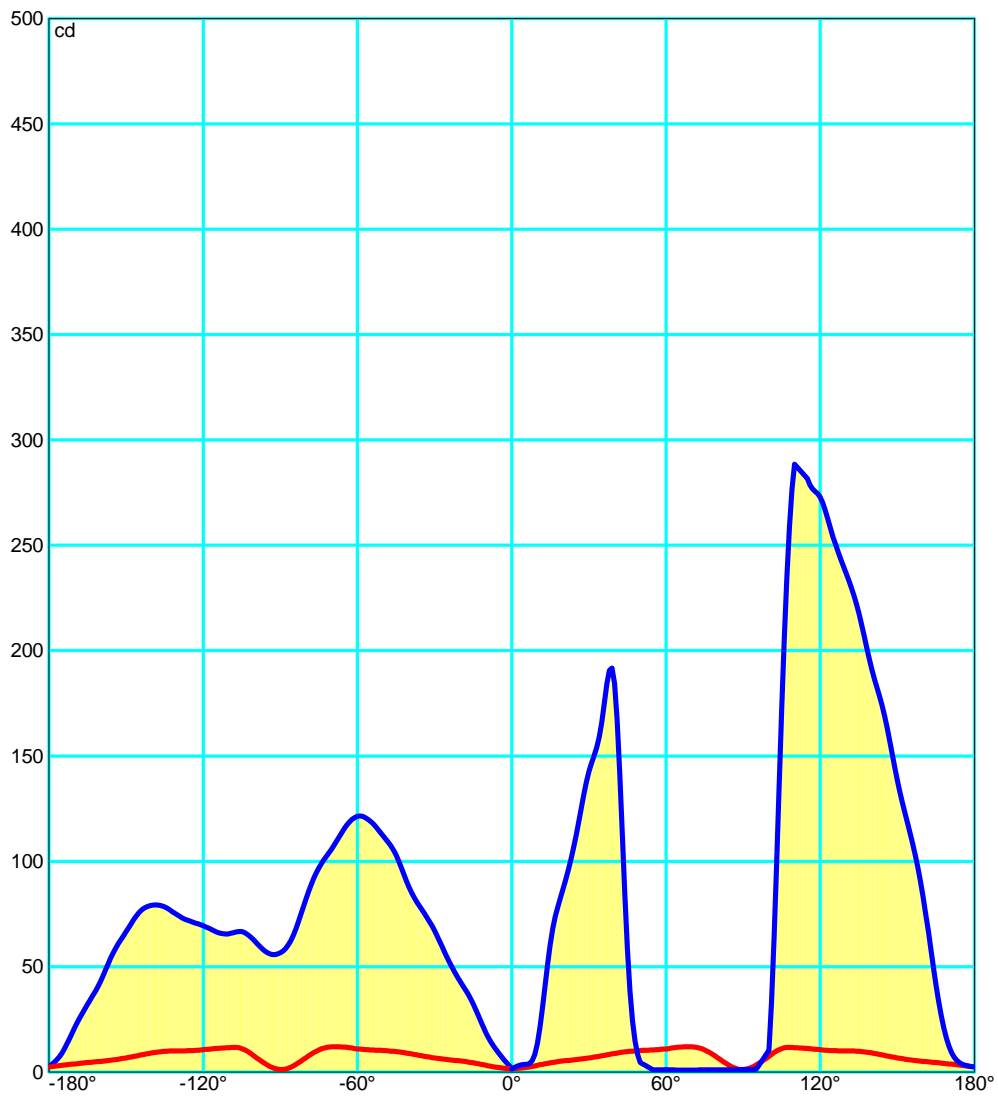


C Halfplanes

270.0 ————

180.0 ———— 0.0

————— 90.0



Luminaire		Measur.		Lamp	
Code	05-2019	Code	05-2019	Code	05-2019
Name	Aplique led 8W	Name	Aplique led 8W	Number	2
Line	Eulumdat	Date	15-02-2013	Position	
Efficiency	100.00%	Coordinate system	CG	Total Flux	764.00 lm

UGR
S = 0.250

Reflectancies										
Ceiling/Cavity	0.7	0.7	0.5	0.5	0.3	0.7	0.7	0.5	0.5	0.3
Walls	0.5	0.3	0.5	0.3	0.3	0.5	0.3	0.5	0.3	0.3
WorkingPlane	0.2	0.2	0.2	0.2	0.2	0.2	0.2	0.2	0.2	0.2
RoomDimensions	ViewedCrosswise					ViewedEndwise				
x=2H y=2H	11.2	12.0	12.2	13.0	19.0	15.8	16.6	16.8	17.6	19.0
x=2H y=3H	12.3	13.0	13.3	14.0	21.4	18.3	19.0	19.3	20.0	21.4
x=2H y=4H	12.5	13.2	13.5	14.2	22.5	19.4	20.0	20.4	21.1	22.5
x=2H y=6H	12.7	13.3	13.7	14.3	23.3	20.3	20.9	21.3	21.9	23.3
x=2H y=8H	12.7	13.3	13.7	14.3	23.7	20.7	21.2	21.7	22.3	23.7
x=2H y=12H	12.6	13.2	13.7	14.3	24.0	21.0	21.5	22.0	22.6	24.0
x=4H y=2H	12.6	13.2	13.6	14.2	19.5	16.5	17.1	17.5	18.1	19.5
x=4H y=3H	13.9	14.4	14.9	15.5	22.2	19.1	19.7	20.2	20.7	22.2
x=4H y=4H	14.3	14.8	15.4	15.9	23.3	20.4	20.8	21.4	21.9	23.3
x=4H y=6H	14.6	15.0	15.7	16.1	24.4	21.4	21.8	22.5	22.9	24.4
x=4H y=8H	14.6	15.0	15.7	16.1	24.8	21.9	22.3	23.0	23.3	24.8
x=4H y=12H	14.6	15.0	15.7	16.1	25.2	22.2	22.6	23.3	23.7	25.2
x=8H y=4H	15.4	15.8	16.5	16.8	23.6	20.6	21.0	21.7	22.1	23.6
x=8H y=6H	15.9	16.2	17.0	17.3	24.8	21.9	22.2	23.0	23.3	24.8
x=8H y=8H	16.1	16.4	17.2	17.5	25.4	22.5	22.8	23.6	23.9	25.4
x=8H y=12H	16.1	16.4	17.3	17.5	25.9	23.0	23.2	24.1	24.4	25.9
x=12H y=4H	15.5	15.9	16.6	17.0	23.5	20.6	20.9	21.7	22.0	23.5
x=12H y=6H	16.2	16.5	17.4	17.6	24.8	21.9	22.2	23.0	23.3	24.8
x=12H y=8H	16.5	16.8	17.6	17.9	25.4	22.6	22.8	23.7	23.9	25.4

Luminaire

 Code 05-2019
 Name Aplique led 8W
 Line Eulumdat

Measur.

 Code 05-2019
 Name Aplique led 8W
 Date 15-02-2013

Lamp

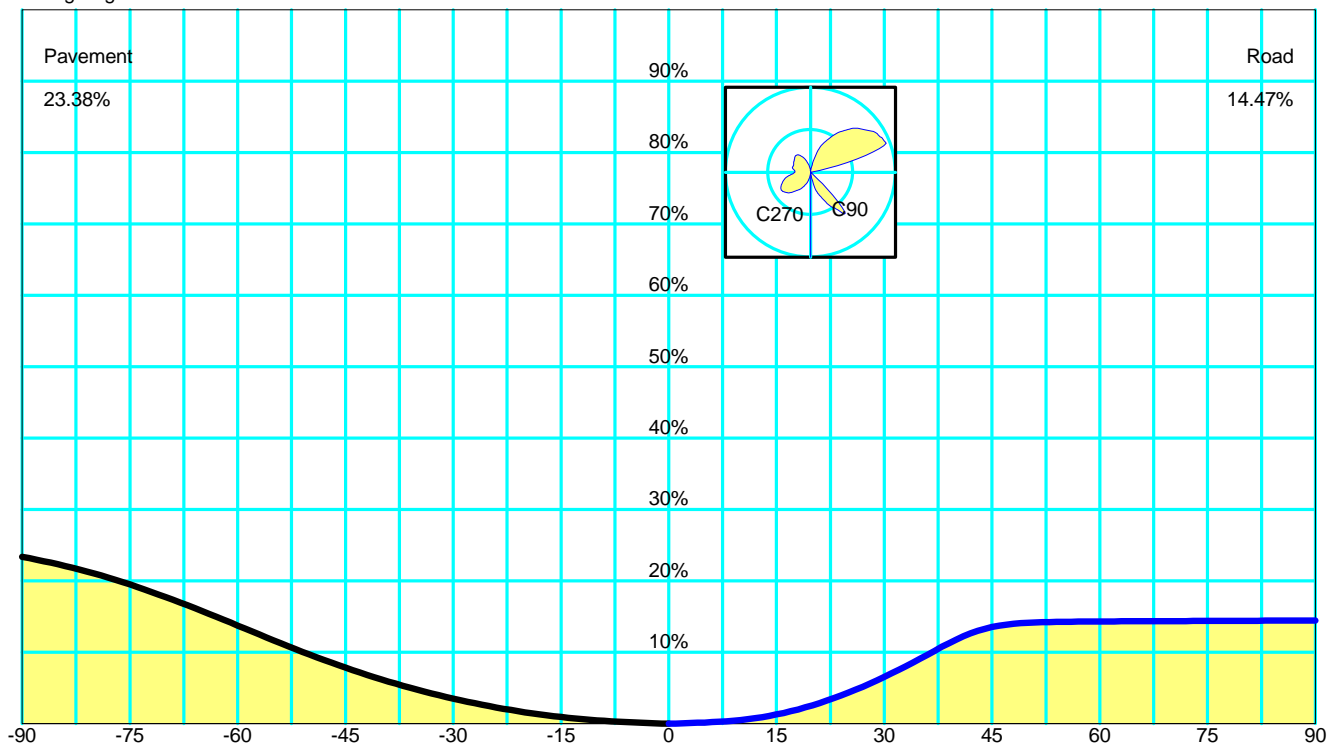
 Code 05-2019
 Number 2
 Position

Efficiency 100.00% Coordinate system CG Total Flux 764.00 lm

Pavement			Road		
Piano	0	0.00%	Piano	0	0.00%
Piano	-5	0.18%	Piano	5	0.17%
Piano	-10	0.47%	Piano	10	0.52%
Piano	-15	0.94%	Piano	15	1.30%
Piano	-20	1.61%	Piano	20	2.59%
Piano	-25	2.47%	Piano	25	4.35%
Piano	-30	3.52%	Piano	30	6.56%
Piano	-35	4.77%	Piano	35	9.13%
Piano	-40	6.21%	Piano	40	11.78%
Piano	-45	7.86%	Piano	45	13.55%
Piano	-50	9.69%	Piano	50	14.14%
Piano	-55	11.68%	Piano	55	14.28%
Piano	-60	13.76%	Piano	60	14.33%
Piano	-65	15.81%	Piano	65	14.35%
Piano	-70	17.74%	Piano	70	14.38%
Piano	-75	19.50%	Piano	75	14.40%
Piano	-80	21.04%	Piano	80	14.42%
Piano	-85	22.33%	Piano	85	14.44%
Piano	-90	23.38%	Piano	90	14.47%

Tilting Angle = 0.0

DLOR = 37.85%



Spread	0.0°	DLOR	37.84624 %
Throw	115.8° Long	ULOR	62.15376 %
SLI (glare)	10.3 Tight	Efficiency	100.00000 %
CIE Cutoff	Non Cutoff - Max: C=90.0° Gamma=110.0°	RN	62.15376 %
IESNA Cutoff	Non Cutoff	Luminous Intensity Class	GU
DIN5044	KB1	Glare Index	D6
IESNA Type I Very Short Asymmetrical			

Luminaire

Code 05-2019
 Name Aplique led 8W
 Line Eulumdat

Measur.

Code 05-2019
 Name Aplique led 8W
 Date 15-02-2013

Lamp

Code 05-2019
 Number 2
 Position

Efficiency 100.00% Coordinate system CG Total Flux 764.00 lm

Total Flux=764.00 Luminaire Flux=764.00

RI	0.60	0.80	1.00	1.25	1.50	2.00	2.50	3.00	4.00	5.00	10.00	20.00
DRR	0.17	0.26	0.33	0.40	0.46	0.55	0.61	0.66	0.72	0.76	0.86	0.92
RC	9	8	8	8	8	7	7	7	7	7	7	7

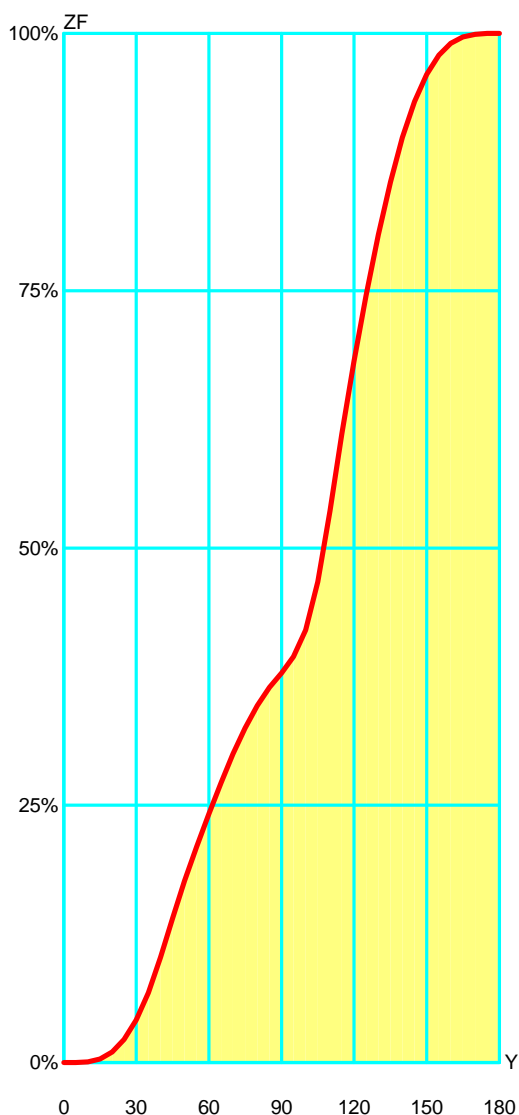
Zonal Flux per 1000 Lumen

Y°	10	20	30	40	50	60	70	80	90	100	110	120	130	140	150	160	170	180
ZF(Y)	1	10	41	103	177	242	300	347	378	420	536	681	804	899	960	990	999	1000

CIE Flux Codes

30 64 87 38 100

C.I.E.	9/8/8/8/8/7/7/7/7/7/7/7	LOR	100.00000 %
D DIN 5040	D12	ULOR	62.15376 %
F UTE	0.38 I + 0.62 T	DLOR	37.84624 %
B NBN	BZ 7 / 1 / BZ 6	UFF	62.15376 %
RN	62.15376 %	DFF	37.84624 %
BLF	1.0	FFR	164.22704 %



Zonal Flux				
Gamma °	Flux	Sum lm	Flux [%]	Sum [%]
0°	0.00	0.00	0.00%	0.00%
5°	0.10	0.10	0.01%	0.01%
10°	0.71	0.81	0.07%	0.08%
15°	2.74	3.55	0.27%	0.36%
20°	6.77	10.32	0.68%	1.03%
25°	12.15	22.47	1.22%	2.25%
30°	18.91	41.39	1.89%	4.14%
35°	26.58	67.97	2.66%	6.80%
40°	34.55	102.51	3.45%	10.25%
45°	38.25	140.76	3.82%	14.08%
50°	35.95	176.71	3.59%	17.67%
55°	33.30	210.01	3.33%	21.00%
60°	31.72	241.72	3.17%	24.17%
65°	30.03	271.75	3.00%	27.18%
70°	28.00	299.76	2.80%	29.98%
75°	25.34	325.10	2.53%	32.51%
80°	21.76	346.86	2.18%	34.69%
85°	17.59	364.45	1.76%	36.45%
90°	14.01	378.46	1.40%	37.85%
95°	15.82	394.28	1.58%	39.43%
100°	26.04	420.32	2.60%	42.03%
105°	46.96	467.28	4.70%	46.73%
110°	68.74	536.02	6.87%	53.60%
115°	74.95	610.97	7.49%	61.10%
120°	70.40	681.36	7.04%	68.14%
125°	64.58	745.95	6.46%	74.59%
130°	58.34	804.29	5.83%	80.43%
135°	51.24	855.53	5.12%	85.55%
140°	43.26	898.78	4.33%	89.88%
145°	34.87	933.65	3.49%	93.37%
150°	26.46	960.11	2.65%	96.01%
155°	18.59	978.70	1.86%	97.87%
160°	11.69	990.39	1.17%	99.04%
165°	6.16	996.55	0.62%	99.66%
170°	2.55	999.10	0.26%	99.91%
175°	0.77	999.88	0.08%	99.99%
180°	0.12	1000.00	0.01%	100.00%

Luminaire
 Code 05-2019
 Name Aplique led 8W
 Line Eulumdat

Measur.
 Code 05-2019
 Name Aplique led 8W
 Date 15-02-2013

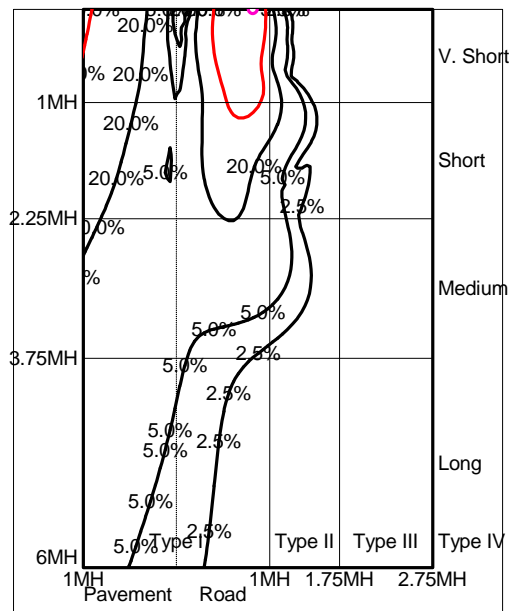
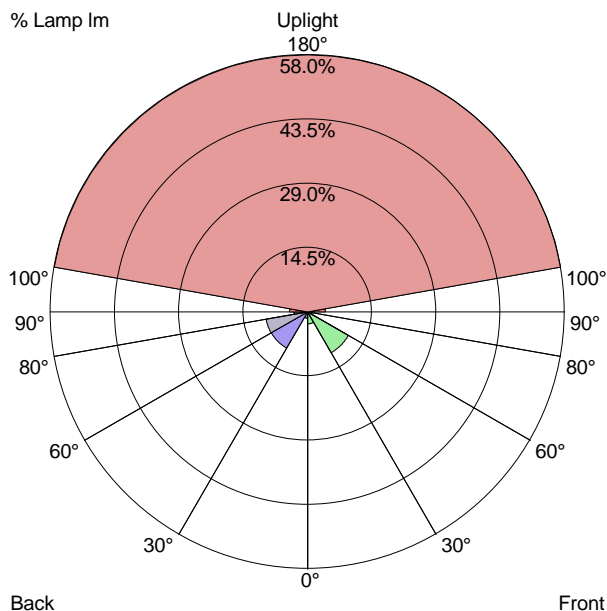
Lamp
 Code 05-2019
 Number 2
 Position

Efficiency 100.00%

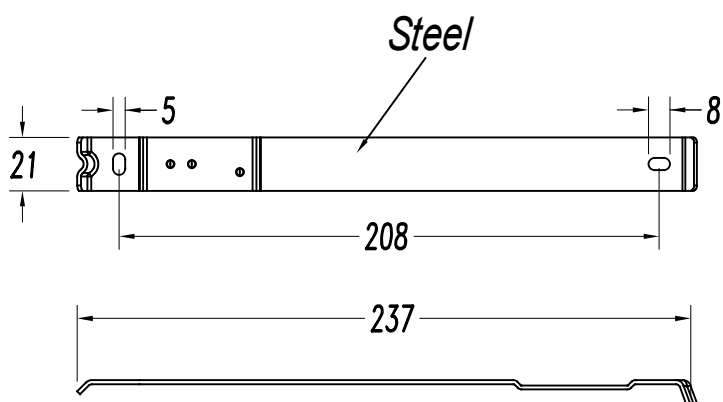
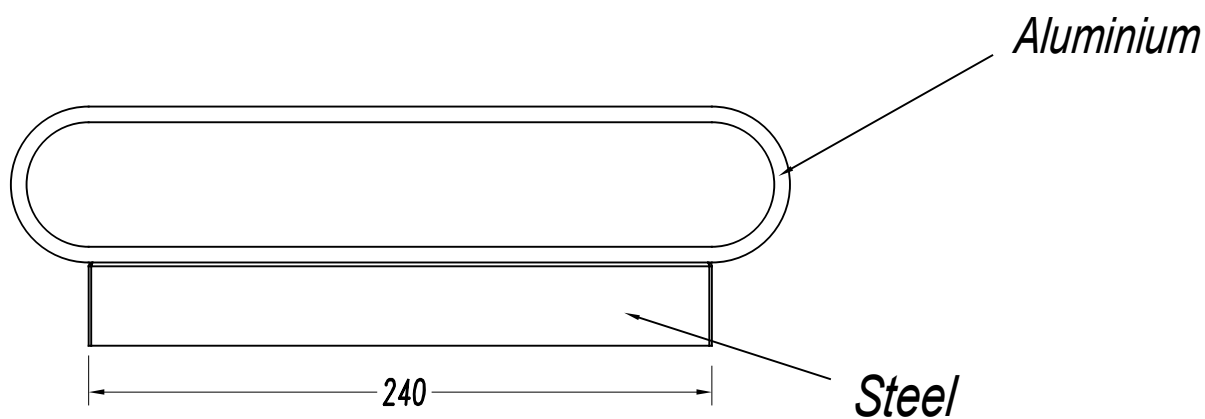
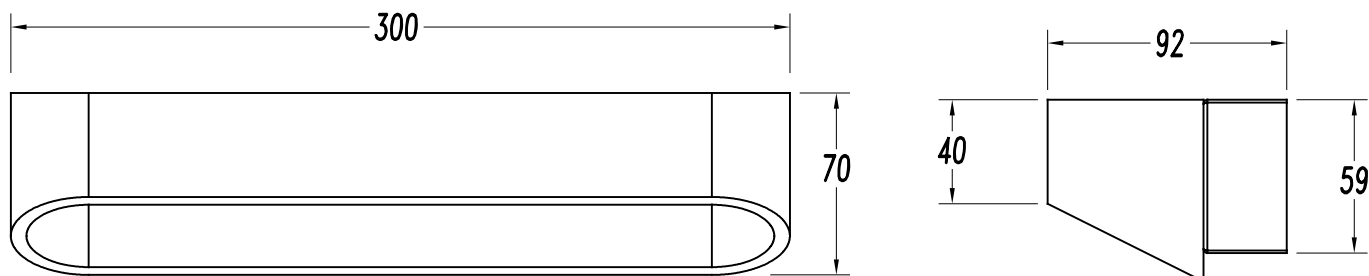
Coordinate system CG

Total Flux 764.00 lm

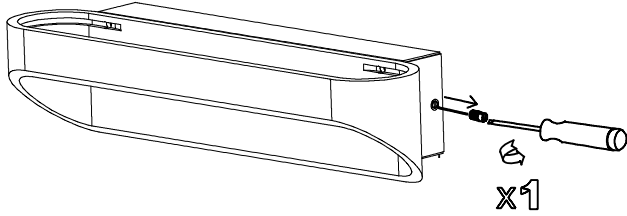
US ROAD STANDARDS



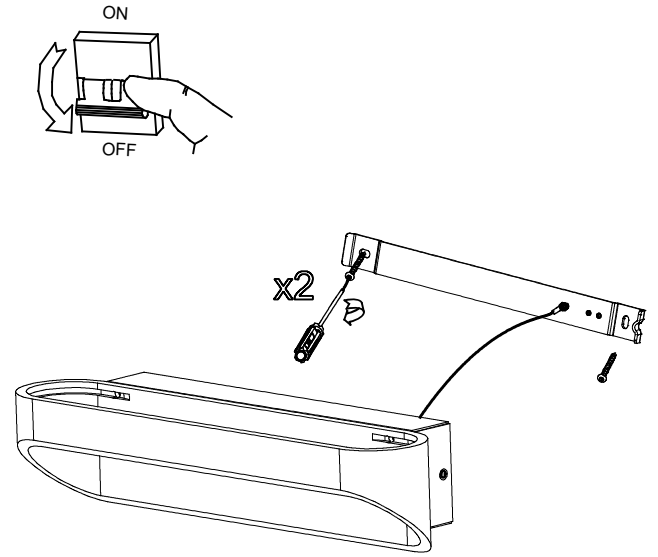
Luminaire Classification System (LCS)			
LCS Zone	Angle	Lumens	%Lamp %Lum
FL	0°-- 30°	9.3 lm	2.7 % 2.7 %
FM	30°-- 60°	36.2 lm	10.7 % 10.7 %
FH	60°-- 80°	3.5 lm	1.0 % 1.0 %
FVH	80°-- 90°	0.3 lm	0.1 % 0.1 %
BL	0°-- 30°	4.9 lm	1.4 % 1.4 %
BM	30°-- 60°	32.1 lm	9.4 % 9.4 %
BH	60°-- 80°	32.2 lm	9.5 % 9.5 %
BVH	80°-- 90°	10.3 lm	3.0 % 3.0 %
UL	90°-- 100°	13.8 lm	4.1 % 4.1 %
UH	100°-- 180°	197.0 lm	58.0 % 58.0 %
TOTALS		339.5 lm	100.0 % 100.0 %
BUG B0 U3 G1 Type I Very Short Asymmetrical			



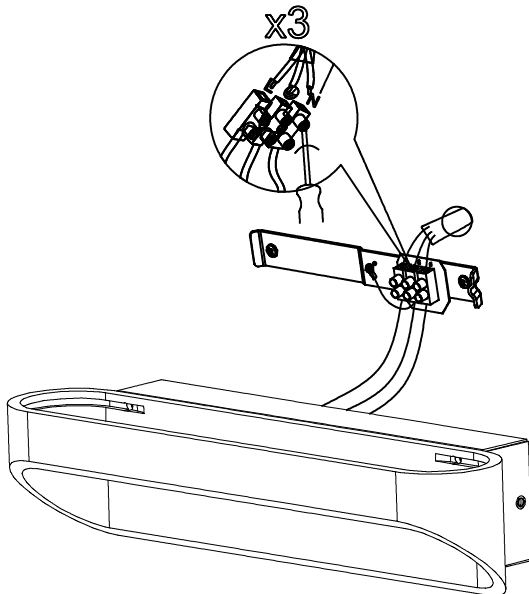
1



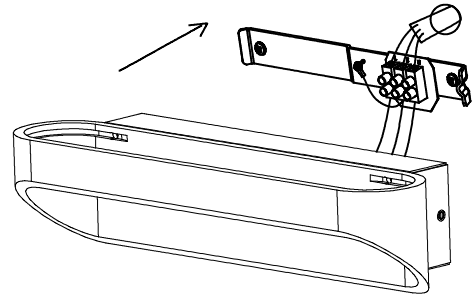
2



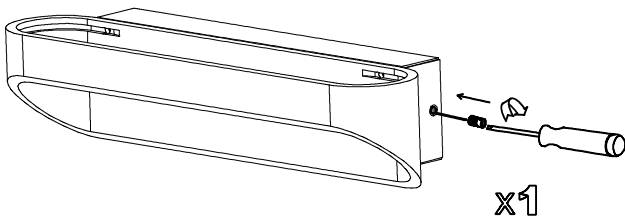
3



4



5



6

