

05-2015-34-34V0

DIDO Wall fixture

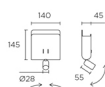
Designer: Nahtrang Design



Description

Wall fixture DIDO LED 9W 3000K Grey 283lm

	Finish	Material
Structure	Grey	Aluminium Steel
Diffuser	Partly-sandblasted	Glass



IP20 ↻ 0° a 90° ↻ 350° 📦 10

TECHNICAL CHARACTERISTICS

Light source

Light source: LED
 Light source power (W): 9W
 Luminaire total power (W): 13W
 Color temperature: LED warm-white
 3000K
 CRI: 82
 Real Lumen: 283
 Qty Leds: 1
 Lm/Real W: 22
 Bin / Grup: 7C1/7B4
 UGR: 11.0

GEAR

Gear included: Yes, electronic
 Voltage / Frequency:
 100-240VAC/50-60Hz

Luminaire

Warranty: 2 Years

Logistics

Energy Efficiency: LED A++
 EAN Code: 8435381404789
 Net Weight (Kg): 0.77
 Weight in Kg (packaged): 1.02
 Masterbox: 10

Light source

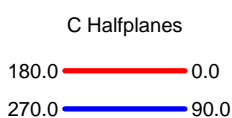
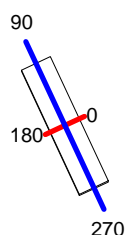
Light source: LED
 Light source power (W): 1W
 Luminaire total power (W): 13W
 Color temperature: LED warm-white
 3000K
 CRI: 80
 Real Lumen: 283
 Qty Leds: 1
 Lm/Real W: 22
 Bin / Grup: 7C1-7B4
 UGR: 11.0

The photograph may not match the reference exactly. Please read the product description to identify the finish.

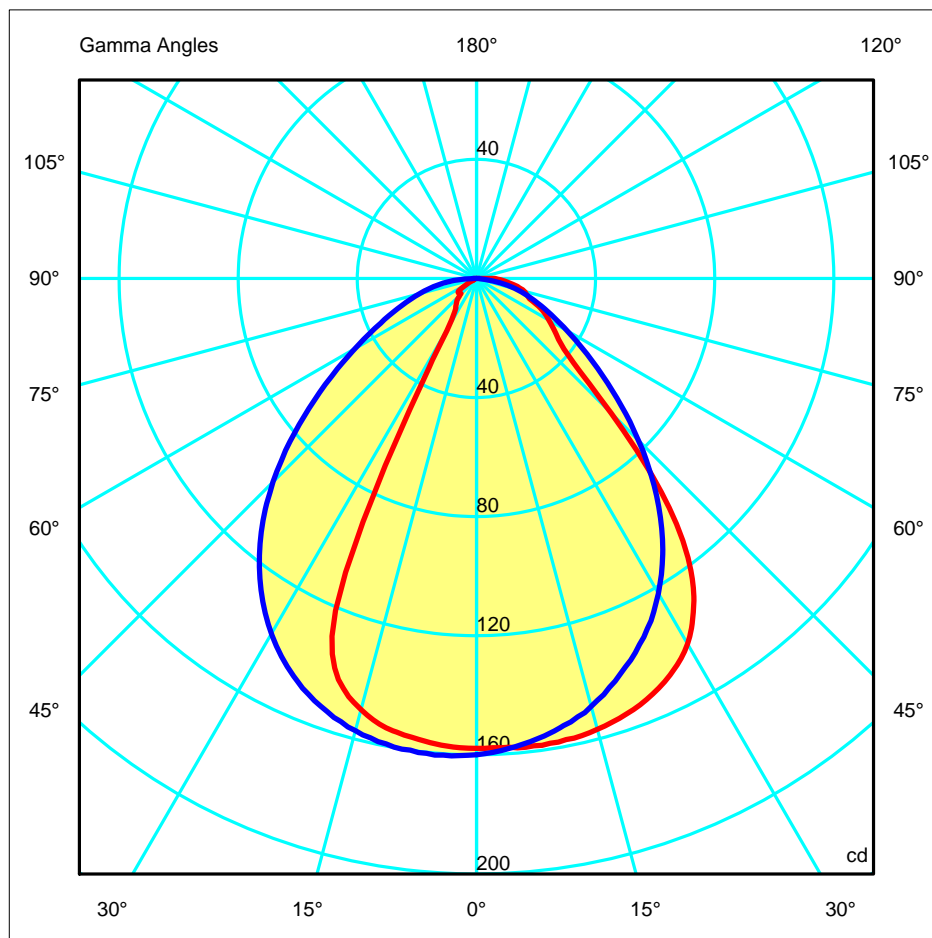
Luminaire		Measur.		Lamp		
Code	05-2015-1	Code	APC-12-700	Code	LED	
Name	LED WALL LIGHT	Name	LED WALL LIGHT	Number	1	
Line	Eulumdat	Date	07-10-2013	Position		
Efficiency	100.00%	Coordinate system	CG	Total Flux	283.20 lm	
Maximum value	160.64 cd	Position	C=270.00 G=5.00	Asymmetrical		
Rectangular Luminaire	Length	116 mm	Width	27 mm	Height	1 mm
Rectangular Luminous Area	Length	116 mm	Width	27 mm	Height	0 mm
Horizontal Luminous Area	0.003132 m2	Emitting area on Plane 180°		0.000000 m2		
Emitting area on Plane 0°	0.000000 m2	Emitting area on Plane 270°		0.000000 m2		
Emitting area on Plane 90°	0.000000 m2	Glare area at 76°		0.000758 m2		
Symmetry Type	Asymmetrical	Maximum Gamma Angle		90		
Measurement Distance	0.00	Measurement Flux		283.20 lm		
Operator		Source voltage				
Temperature	25.00 °C	Source current				
Humidity	60.00 %	Photocell				
Notes						

Line		Code		Luminaire Lamps		Flux [lm]	Pow. [W]	Q.ty
Eulumdat		LED		Name				
				LED - 10.10 W		283.20	10.10	1
C.I.E.	66 89 97 100 100			D DIN 5040	A50			
F UTE	1.00 C			B NBN	BZ 2 / 1.25 / BZ 3			

116mm x 27mm



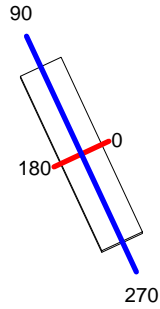
ULOR 0.00 %
DLOR 100.00 %
RN 0.00 %



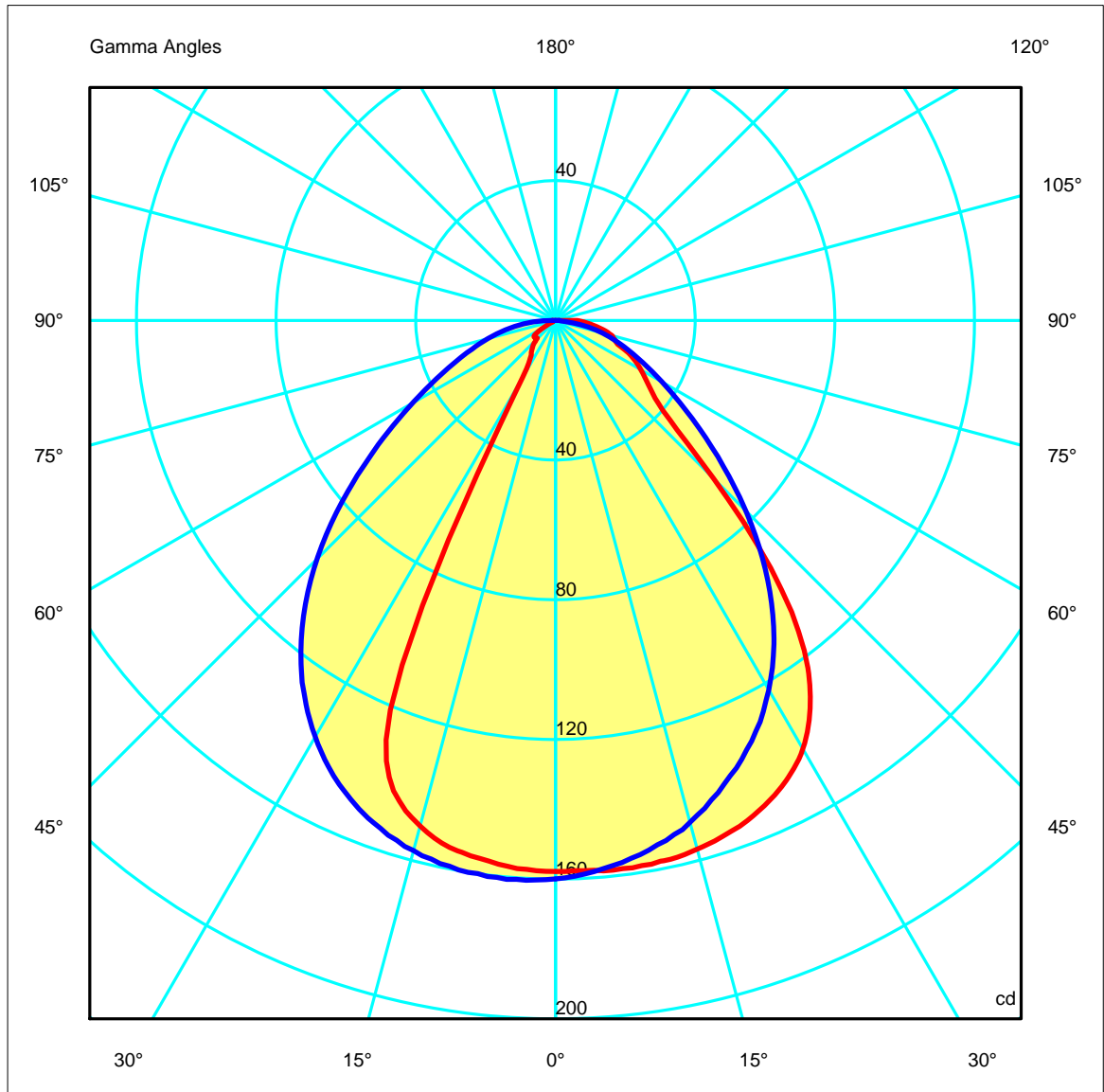
Luminaire		Measur.		Lamp	
Code	05-2015-1	Code	APC-12-700	Code	LED
Name	LED WALL LIGHT	Name	LED WALL LIGHT	Number	1
Line	Eulumdat	Date	07-10-2013	Position	
Efficiency	100.00%	Coordinate system	CG	Total Flux	283.20 lm

116mm x 27mm

C Halfplanes



180.0 ————— 0.0
 270.0 ————— 90.0



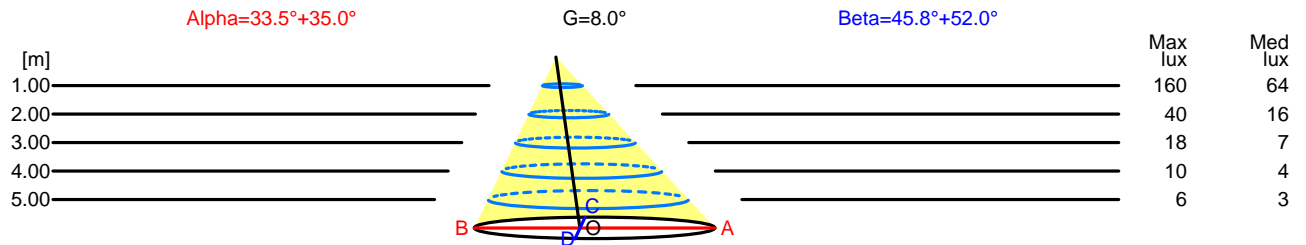
Luminaire		Measur.		Lamp	
Code	05-2015-1	Code	APC-12-700	Code	LED
Name	LED WALL LIGHT	Name	LED WALL LIGHT	Number	1
Line	Eulumdat	Date	07-10-2013	Position	

Efficiency	100.00%	Coordinate system	CG	Total Flux	283.20 lm
------------	---------	-------------------	----	------------	-----------

Width at 50.00 % of Max Intensity

H[m]	1.00	2.00	3.00	4.00	5.00	H[m]	1.00	2.00	3.00	4.00	5.00
OA	0.79	1.58	2.37	3.16	3.95	OC	1.04	2.08	3.11	4.15	5.19
OB	0.62	1.24	1.86	2.47	3.09	OD	1.29	2.58	3.88	5.17	6.46

	Luminous Intensities [cd]									
	0	5	15	25	35	45	55	65	75	85
OA	157.77	158.22	156.78	149.43	126.82	64.04	32.68	23.78	16.71	9.21
OB	157.77	156.90	149.92	90.12	12.10	7.87	7.31	0.75	0.95	0.91
OC	159.92	157.57	148.79	132.89	109.08	76.90	46.43	26.59	13.88	1.48
OD	159.92	160.64	157.16	146.59	126.52	96.66	61.97	35.53	19.98	7.61



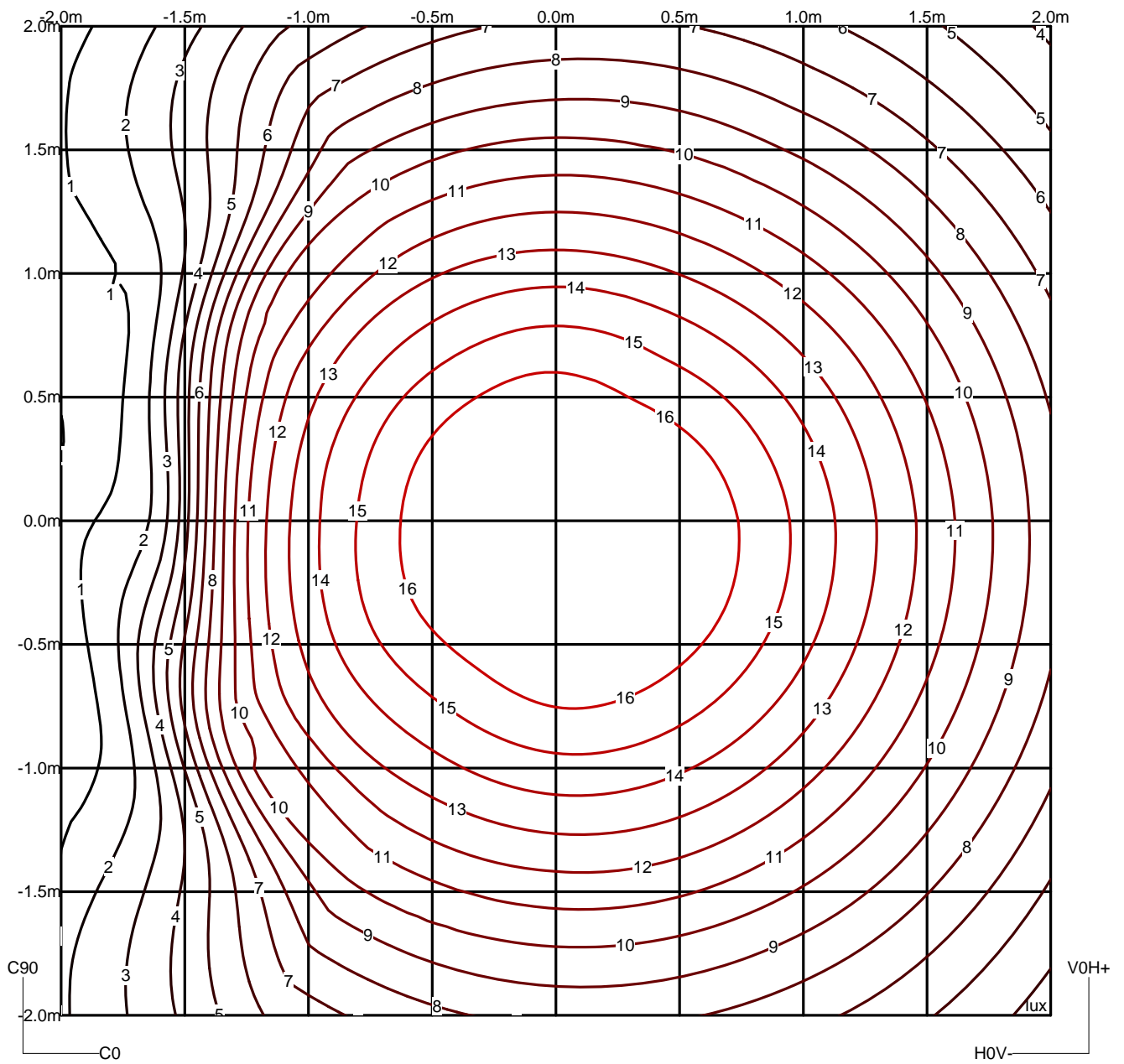
H[m]	D[m]	Max lux	Med lux	Alpha=33.5°+35.0°	G=8.0	
1.00	1.41	160	64			
2.00	2.82	40	16			
3.00	4.23	18	7			
4.00	5.64	10	4			
5.00	7.04	6	3			

H[m]	D[m]	Max lux	Med lux	Beta=52.0°+45.8°	G=0.0	
1.00	2.33	160	64			
2.00	4.66	40	16			
3.00	6.99	18	7			
4.00	9.32	10	4			
5.00	11.65	6	3			

Luminaire		Measuram.		Lamp	
Code	05-2015-1	Code	APC-12-700	Code	LED
Name	LED WALL LIGHT	Name	LED WALL LIGHT	Number	1
Line	Eulumdat	Date	07-10-2013	Position	
Efficiency	100.00%	Coordinate system	CG	Total Flux	283.20 lm

Isolux (Floor)

Luminaire position X=0.00m Y=0.00m Z=3.00m



Luminaire

Code 05-2015-1
 Name LED WALL LIGHT
 Line Eulumdat

Measur.

Code APC-12-700
 Name LED WALL LIGHT
 Date 07-10-2013

Lamp

Code LED
 Number 1
 Position

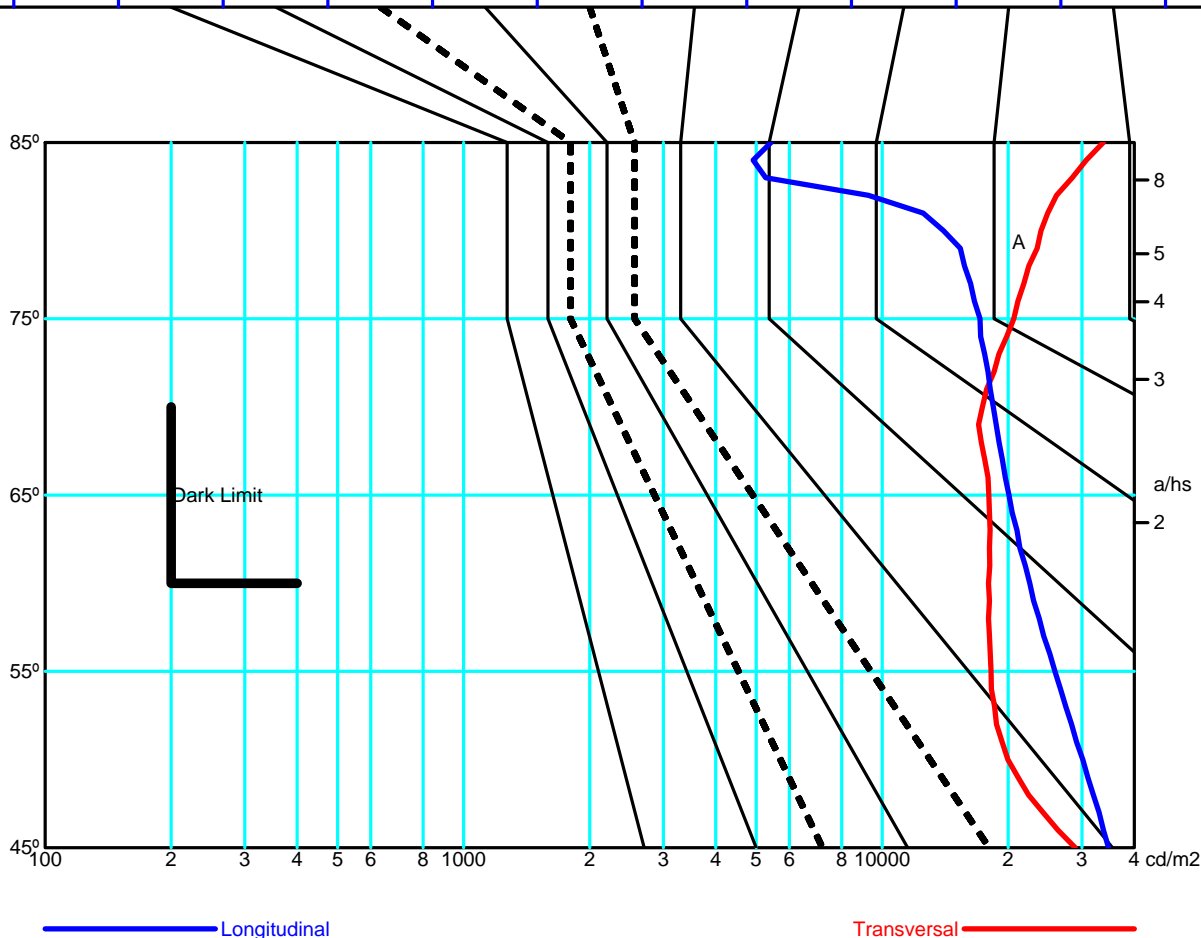
Efficiency 100.00%

Coordinate system CG

Total Flux 283.20 lm

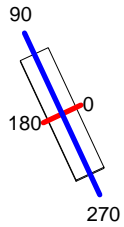
		Average Luminance [cd/m ²]								
		45°	50°	55°	60°	65°	70°	75°	80°	85°
0.0°	28916	19953	18192	17944	17966	17345	20614	23940	33740	---
90.0°	34723	30141	25846	22510	20089	18418	17123	14011	5422	---

Flush mounted or longitudinal view												
		Illumination(lx)										
A	A	2000	1000	750	500		<300				1.15	
B	1		2000	1500	1000	750	500	<300			1.5	
C					2000		1000	500	<300		1.85	
D	2						2000	1000	500	<300	2.2	
E	3							2000	1000	500	<300	2.55



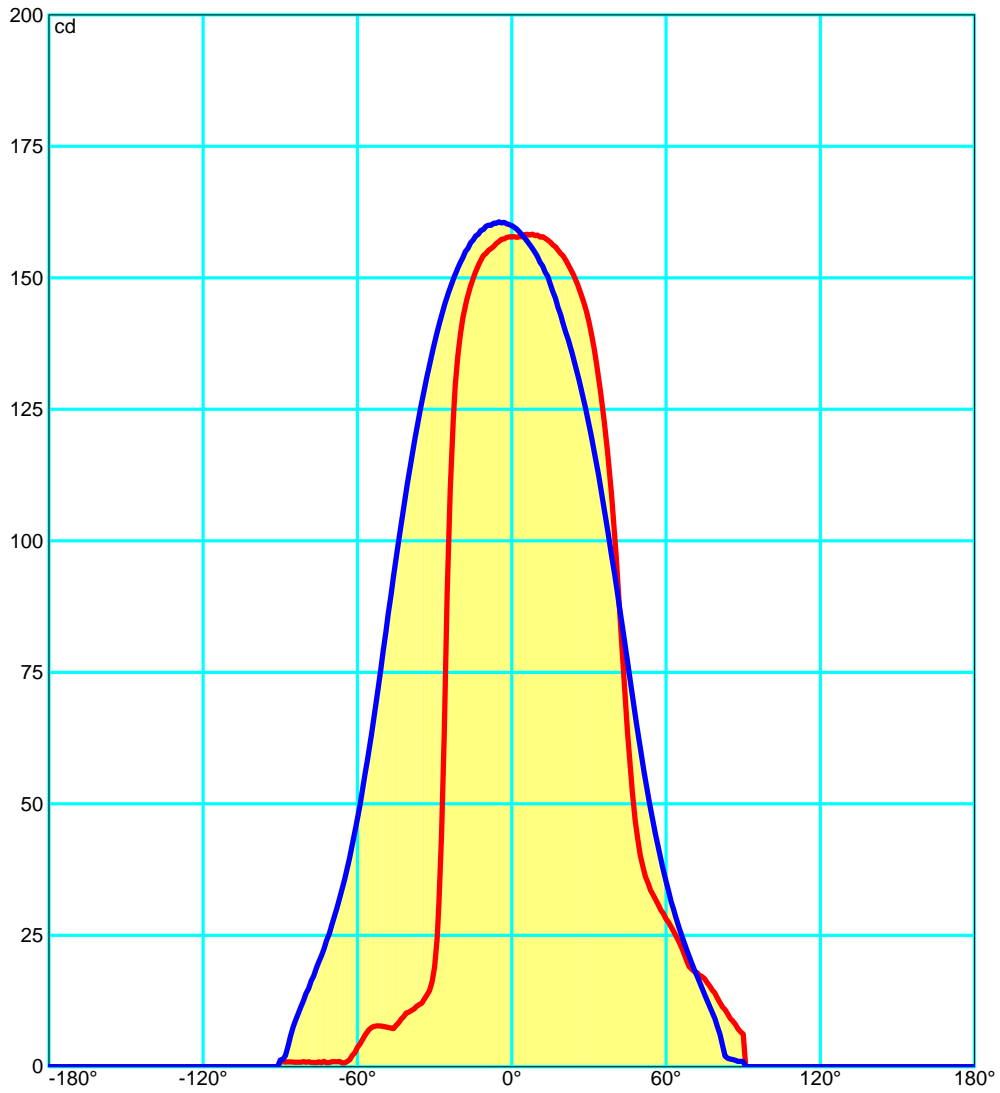
Luminaire		Measur.		Lamp	
Code	05-2015-1	Code	APC-12-700	Code	LED
Name	LED WALL LIGHT	Name	LED WALL LIGHT	Number	1
Line	Eulumdat	Date	07-10-2013	Position	
Efficiency	100.00%	Coordinate system	CG	Total Flux	283.20 lm

116mm x 27mm



C Halfplanes

180.0 ——— 0.0
270.0 ——— 90.0



Luminaire		Measur.		Lamp	
Code	05-2015-1	Code	APC-12-700	Code	LED
Name	LED WALL LIGHT	Name	LED WALL LIGHT	Number	1
Line	Eulumdat	Date	07-10-2013	Position	
Efficiency	100.00%	Coordinate system	CG	Total Flux	283.20 lm

UGR
S = 0.250

Reflectancies										
Ceiling/Cavity	0.7	0.7	0.5	0.5	0.3	0.7	0.7	0.5	0.5	0.3
Walls	0.5	0.3	0.5	0.3	0.3	0.5	0.3	0.5	0.3	0.3
WorkingPlane	0.2	0.2	0.2	0.2	0.2	0.2	0.2	0.2	0.2	0.2
RoomDimensions	ViewedCrosswise					ViewedEndwise				
x=2H y=2H	11.0	12.0	11.2	12.2	26.4	24.9	25.9	25.1	26.1	26.4
x=2H y=3H	11.0	12.0	11.3	12.2	27.5	26.0	27.0	26.3	27.2	27.5
x=2H y=4H	11.0	11.9	11.4	12.2	28.0	26.5	27.4	26.8	27.7	28.0
x=2H y=6H	11.2	12.0	11.5	12.3	28.5	27.1	28.0	27.4	28.2	28.5
x=2H y=8H	11.3	12.1	11.7	12.4	28.8	27.4	28.2	27.7	28.5	28.8
x=2H y=12H	11.6	12.4	11.9	12.7	29.0	27.6	28.4	28.0	28.7	29.0
x=4H y=2H	11.8	12.7	12.1	12.9	26.4	24.9	25.8	25.3	26.1	26.4
x=4H y=3H	11.9	12.6	12.2	13.0	27.6	26.1	26.9	26.5	27.2	27.6
x=4H y=4H	12.0	12.7	12.4	13.0	28.2	26.8	27.5	27.2	27.8	28.2
x=4H y=6H	12.3	12.8	12.7	13.2	28.9	27.5	28.1	28.0	28.5	28.9
x=4H y=8H	12.5	13.0	12.9	13.4	29.3	27.9	28.5	28.3	28.9	29.3
x=4H y=12H	12.8	13.3	13.3	13.7	29.6	28.3	28.8	28.7	29.2	29.6
x=8H y=4H	13.0	13.5	13.4	13.9	28.2	26.8	27.4	27.2	27.8	28.2
x=8H y=6H	13.4	13.8	13.8	14.2	29.0	27.6	28.1	28.1	28.5	29.0
x=8H y=8H	13.7	14.1	14.2	14.5	29.4	28.1	28.5	28.6	28.9	29.4
x=8H y=12H	14.1	14.5	14.6	14.9	29.9	28.6	28.9	29.1	29.4	29.9
x=12H y=4H	13.4	13.9	13.9	14.3	28.2	26.8	27.3	27.3	27.7	28.2
x=12H y=6H	13.9	14.3	14.4	14.7	29.0	27.7	28.1	28.1	28.5	29.0
x=12H y=8H	14.3	14.6	14.8	15.1	29.5	28.2	28.5	28.6	29.0	29.5

Luminaire		Measur.		Lamp	
Code	05-2015-1	Code	APC-12-700	Code	LED
Name	LED WALL LIGHT	Name	LED WALL LIGHT	Number	1
Line	Eulumdat	Date	07-10-2013	Position	
Efficiency	100.00%	Coordinate system	CG	Total Flux	283.20 lm

Total Flux=283.20 Luminaire Flux=283.21

RI	0.60	0.80	1.00	1.25	1.50	2.00	2.50	3.00	4.00	5.00	10.00	20.00
DRR	0.45	0.53	0.59	0.66	0.70	0.77	0.82	0.85	0.89	0.91	0.95	0.98
RC	3	2	2	2	2	2	2	2	2	2	2	2

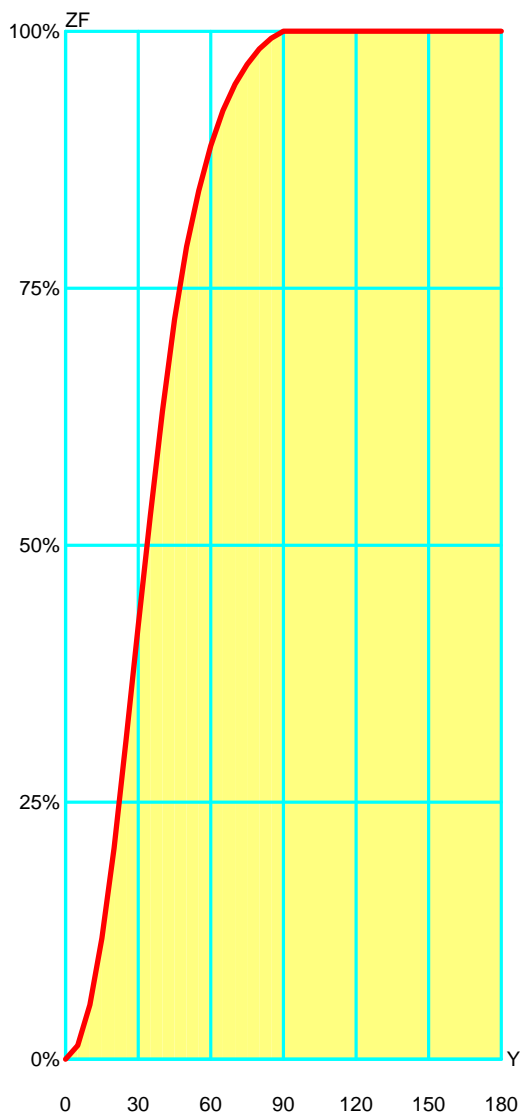
Zonal Flux per 1000 Lumen

Y°	10	20	30	40	50	60	70	80	90	100	110	120	130	140	150	160	170	180
ZF(Y)	53	205	422	630	790	889	948	983	1000	1000	1000	1000	1000	1000	1000	1000	1000	1000

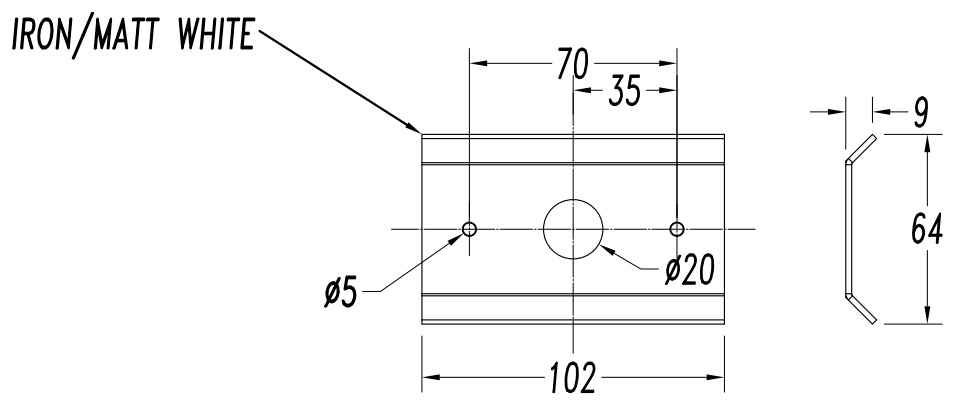
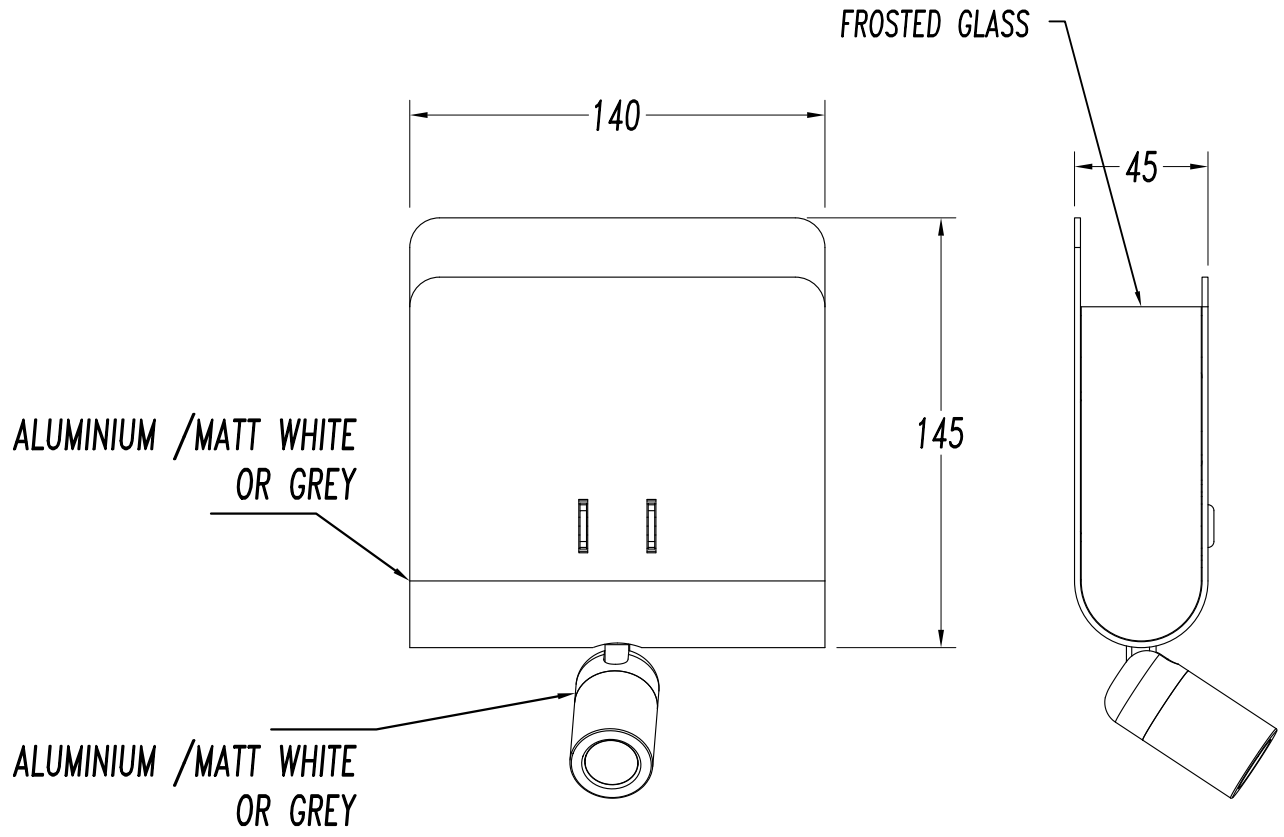
CIE Flux Codes

66 89 97 100 100

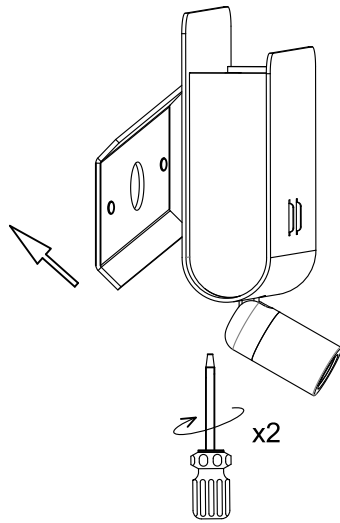
C.I.E.	3/2/2/2/2/2/2/2/2/2/2	LOR	100.00417 %
D DIN 5040	A50	ULOR	0.00000 %
F UTE	1.00 C	DLOR	100.00417 %
B NBN	BZ 2 / 1.25 / BZ 3	UFF	0.00000 %
RN	0.00000 %	DFF	100.00000 %
BLF	1.0	FFR	0.00000 %



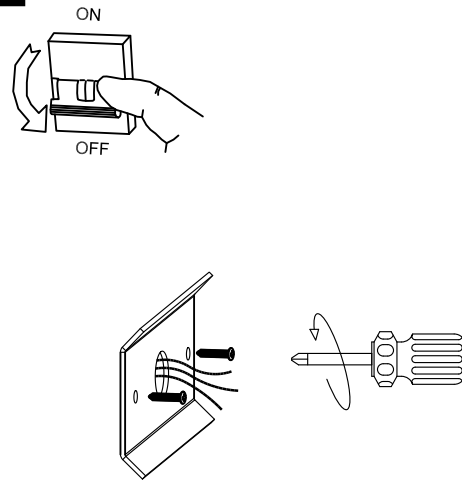
Zonal Flux				
Gamma °	Flux	Sum lm	Flux [%]	Sum [%]
0°	0.00	0.00	0.00%	0.00 %
5°	13.34	13.34	1.33 %	1.33 %
10°	39.64	52.98	3.96 %	5.30 %
15°	64.77	117.75	6.48 %	11.77 %
20°	87.47	205.22	8.75 %	20.52 %
25°	105.44	310.66	10.54 %	31.06 %
30°	111.08	421.74	11.11 %	42.17 %
35°	106.45	528.19	10.64 %	52.82 %
40°	102.02	630.21	10.20 %	63.02 %
45°	89.69	719.90	8.97 %	71.99 %
50°	70.55	790.45	7.05 %	79.04 %
55°	54.42	844.87	5.44 %	84.48 %
60°	43.72	888.59	4.37 %	88.85 %
65°	34.24	922.83	3.42 %	92.28 %
70°	25.66	948.49	2.57 %	94.84 %
75°	19.25	967.74	1.93 %	96.77 %
80°	15.02	982.76	1.50 %	98.27 %
85°	10.47	993.23	1.05 %	99.32 %
90°	6.81	1000.04	0.68 %	100.00 %
95°	0.00	1000.04	0.00 %	100.00 %
100°	0.00	1000.04	0.00 %	100.00 %
105°	0.00	1000.04	0.00 %	100.00 %
110°	0.00	1000.04	0.00 %	100.00 %
115°	0.00	1000.04	0.00 %	100.00 %
120°	0.00	1000.04	0.00 %	100.00 %
125°	0.00	1000.04	0.00 %	100.00 %
130°	0.00	1000.04	0.00 %	100.00 %
135°	0.00	1000.04	0.00 %	100.00 %
140°	0.00	1000.04	0.00 %	100.00 %
145°	0.00	1000.04	0.00 %	100.00 %
150°	0.00	1000.04	0.00 %	100.00 %
155°	0.00	1000.04	0.00 %	100.00 %
160°	0.00	1000.04	0.00 %	100.00 %
165°	0.00	1000.04	0.00 %	100.00 %
170°	0.00	1000.04	0.00 %	100.00 %
175°	0.00	1000.04	0.00 %	100.00 %
180°	0.00	1000.04	0.00 %	100.00 %



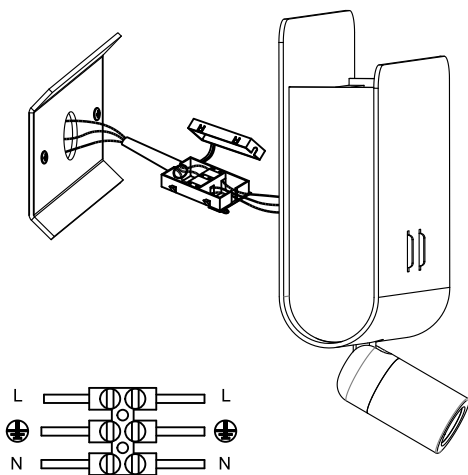
1



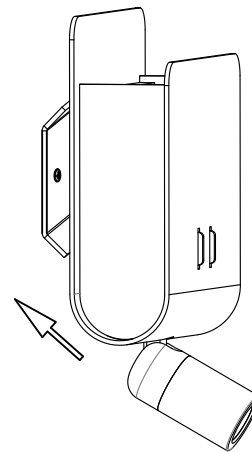
2



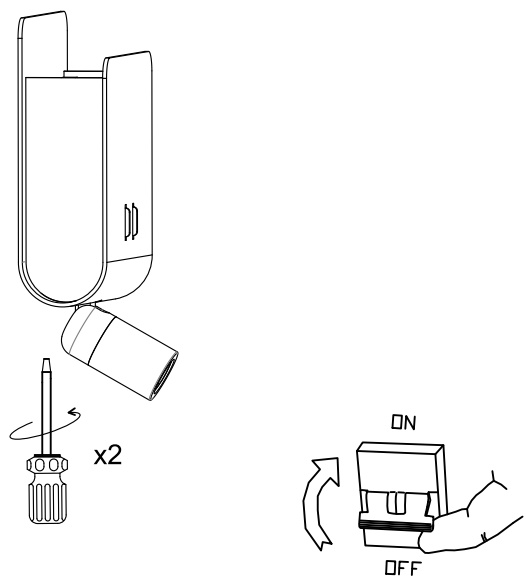
3



4



5



6

