

Rizz 500mm Wall fixture

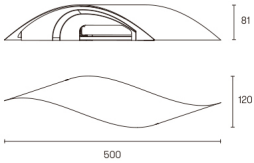
Designer: Ramon Valls

05-1822-AF-AFV0



	Finish	Material
Structure	Satin aluminium	Aluminium
Diffuser	Tinted	Methacrylate

 IP20
  FLOOD 85°
  6



TECHNICAL CHARACTERISTICS

Light source

Light source: LED CREE
 Light source power (W): 18.3W
 Luminaire total power (W): 20.8W
 Color temperature: LED warm-white
 3000K
 CRI: 80
 Real Lumen: 725
 Qty Leds: 8
 Lm/Real W: 35
 Life Time: 50.000h L80B20
 Bin / Grup: 7C1/7B4
 UGR: 11.7

GEAR

Brand: HEP LSC20W700 UNI
 Gear included: Yes, electronic
 Voltage / Frequency:
 110-240VAC/50-60Hz
 Power Factor: 0.92

Luminaire

Warranty: 2 Years

Logistics

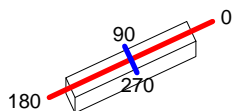
Energy Efficiency: LED A++
 EAN Code: 8435381490751
 Net Weight (Kg): 0.88
 Weight in Kg (packaged): 1.61
 Packing: 410 x 120 x 115
 Masterbox: 6

The photograph may not match the reference exactly. Please read the product description to identify the finish.

Luminaire		Measur.		Lamp		
Code	05-1822-AF-AF	Code	05-1822-AF-AF	Code	05-1822-BW-BW	
Name	Aplique 10 led x1W CREE blanco	Name	Aplique 10 led x1W CREE blanco	Number	1	
Line	Eulumdat	Date	30-06-2014	Position		
Efficiency	100.00%	Coordinate system	CG	Total Flux	725.02 lm	
Maximum value	188.54 cd	Position	C=90.00 G=5.00	Asymmetrical		
Rectangular Luminaire	Length	81 mm	Width	500 mm	Height	120 mm
Rectangular Luminous Area	Length	25 mm	Width	130 mm	Height	120 mm
Horizontal Luminous Area	0.003250 m2	Emitting area on Plane 180°		0.003000 m2		
Emitting area on Plane 0°	0.003000 m2	Emitting area on Plane 270°		0.015600 m2		
Emitting area on Plane 90°	0.015600 m2	Glare area at 76°		0.003697 m2		
Symmetry Type	Asymmetrical	Maximum Gamma Angle		180		
Measurement Distance	0.00	Measurement Flux		725.02 lm		
Operator	Asselum T2	Source voltage				
Temperature	25.00 °C	Source current				
Humidity	60.00 %	Photocell				
Notes						

Luminaire Lamps					
Line	Code	Name	Flux [lm]	Pow. [W]	Q.ty
Eulumdat	05-1822-BW-BW	05-1822-BW-BW - 10.00 W	725.02	10.00	1
C.I.E.	59 86 96 50 100	D DIN 5040	C41		
F UTE	0.50 D + 0.50 T	B NBN	BZ 3 / 4 / BZ 4		

81mm x 500mm



C Halfplanes

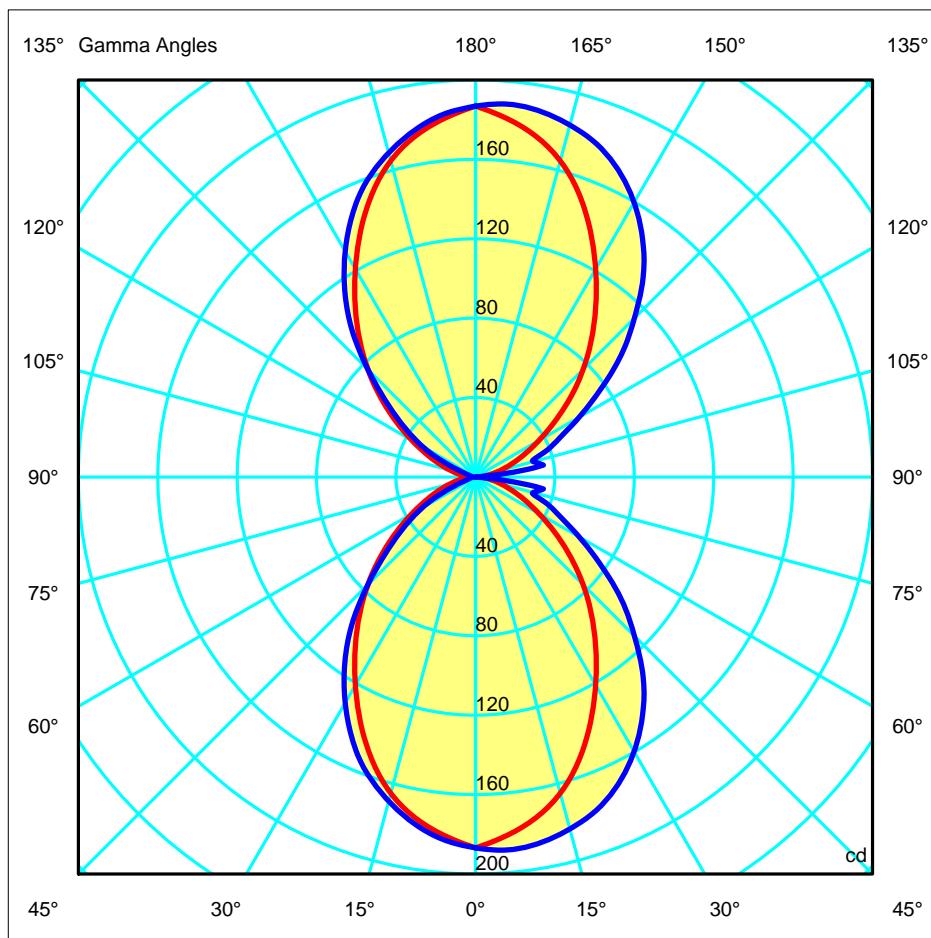
180.0 — 0.0

270.0 — 90.0

ULOR 50.00 %

DLOR 50.00 %

RN 50.00 %

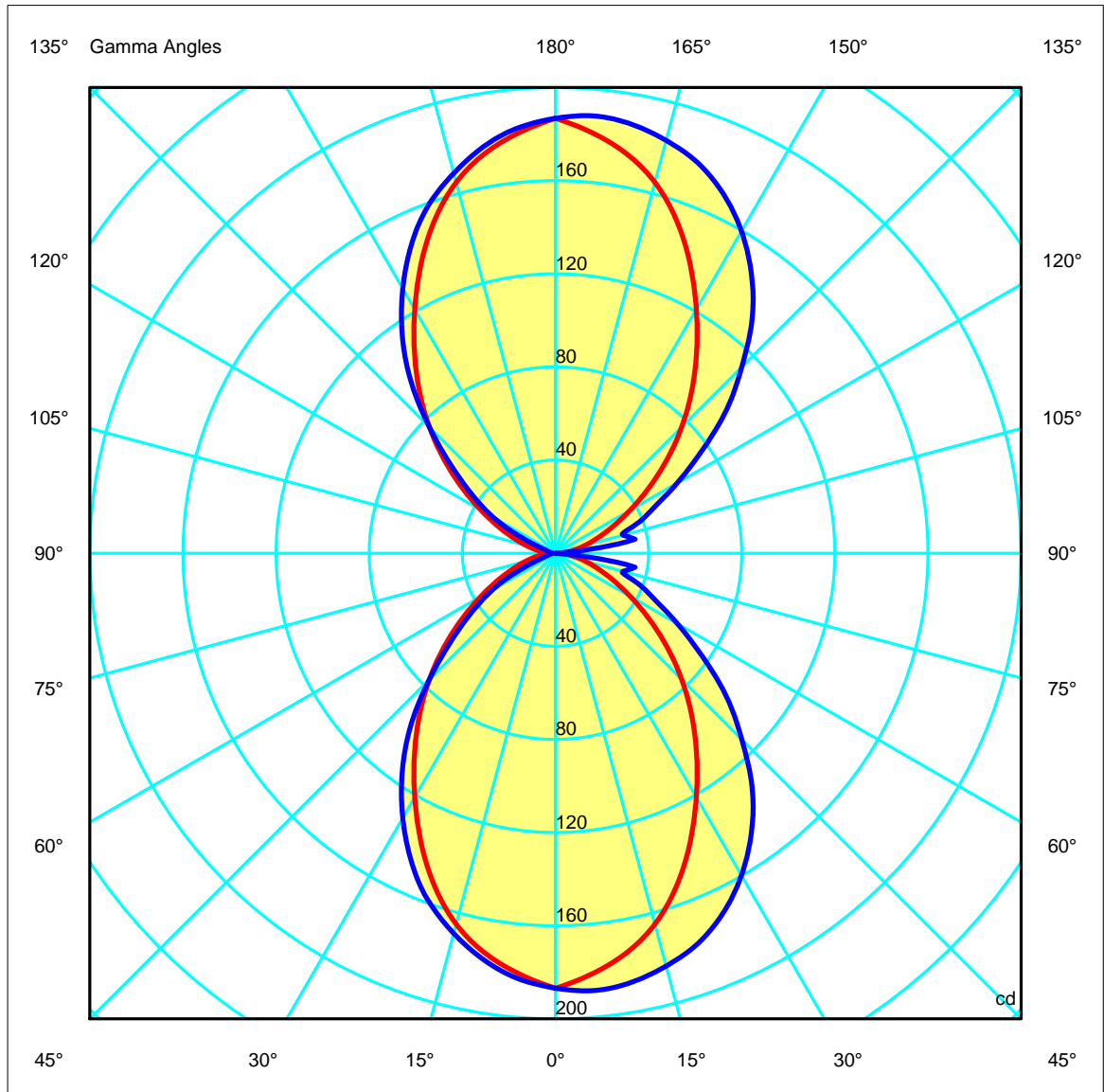
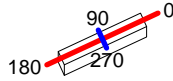


Luminaire		Measuram.		Lamp	
Code	05-1822-AF-AF	Code	05-1822-AF-AF	Code	05-1822-BW-BW
Name	Aplique 10 led x1W CREE blanco	Name	Aplique 10 led x1W CREE blanco	Number	1
Line	Eulumdat	Date	30-06-2014	Position	
Efficiency	100.00%	Coordinate system	CG	Total Flux	725.02 lm

81mm x 500mm

C Halfplanes

180.0 ——— 0.0
 270.0 ——— 90.0

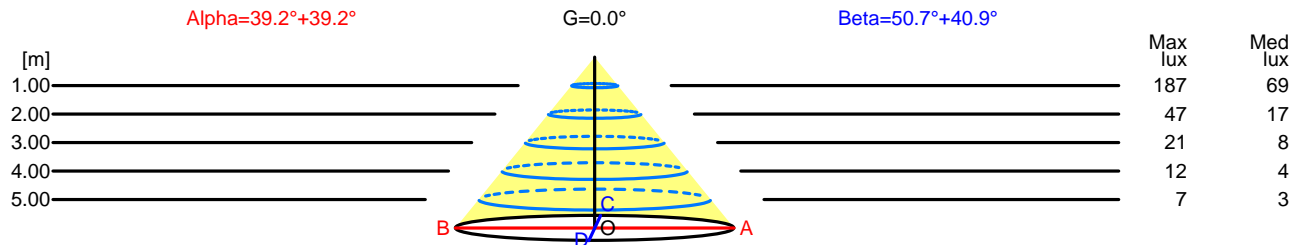


Luminaire		Measur.		Lamp	
Code	05-1822-AF-AF	Code	05-1822-AF-AF	Code	05-1822-BW-BW
Name	Aplique 10 led x1W CREE blanco	Name	Aplique 10 led x1W CREE blanco	Number	1
Line	Eulumdat	Date	30-06-2014	Position	
Efficiency	100.00%	Coordinate system	CG	Total Flux	725.02 lm

Width at 50.00 % of Max Intensity

H[m]	1.00	2.00	3.00	4.00	5.00	H[m]	1.00	2.00	3.00	4.00	5.00
OA	0.81	1.63	2.44	3.26	4.07	OC	1.22	2.44	3.66	4.88	6.10
OB	0.81	1.63	2.44	3.26	4.07	OD	0.86	1.73	2.59	3.46	4.32

	Luminous Intensities [cd]									
	0	5	15	25	35	45	55	65	75	85
OA	186.84	181.26	164.92	136.85	105.70	76.64	48.97	27.21	13.26	4.76
OB	186.84	181.26	164.92	136.85	105.70	76.64	48.97	27.21	13.26	4.76
OC	186.84	188.54	183.56	170.41	146.63	113.19	76.78	46.91	29.97	5.10
OD	186.84	183.41	168.92	146.43	114.87	76.72	43.65	16.67	3.54	1.55



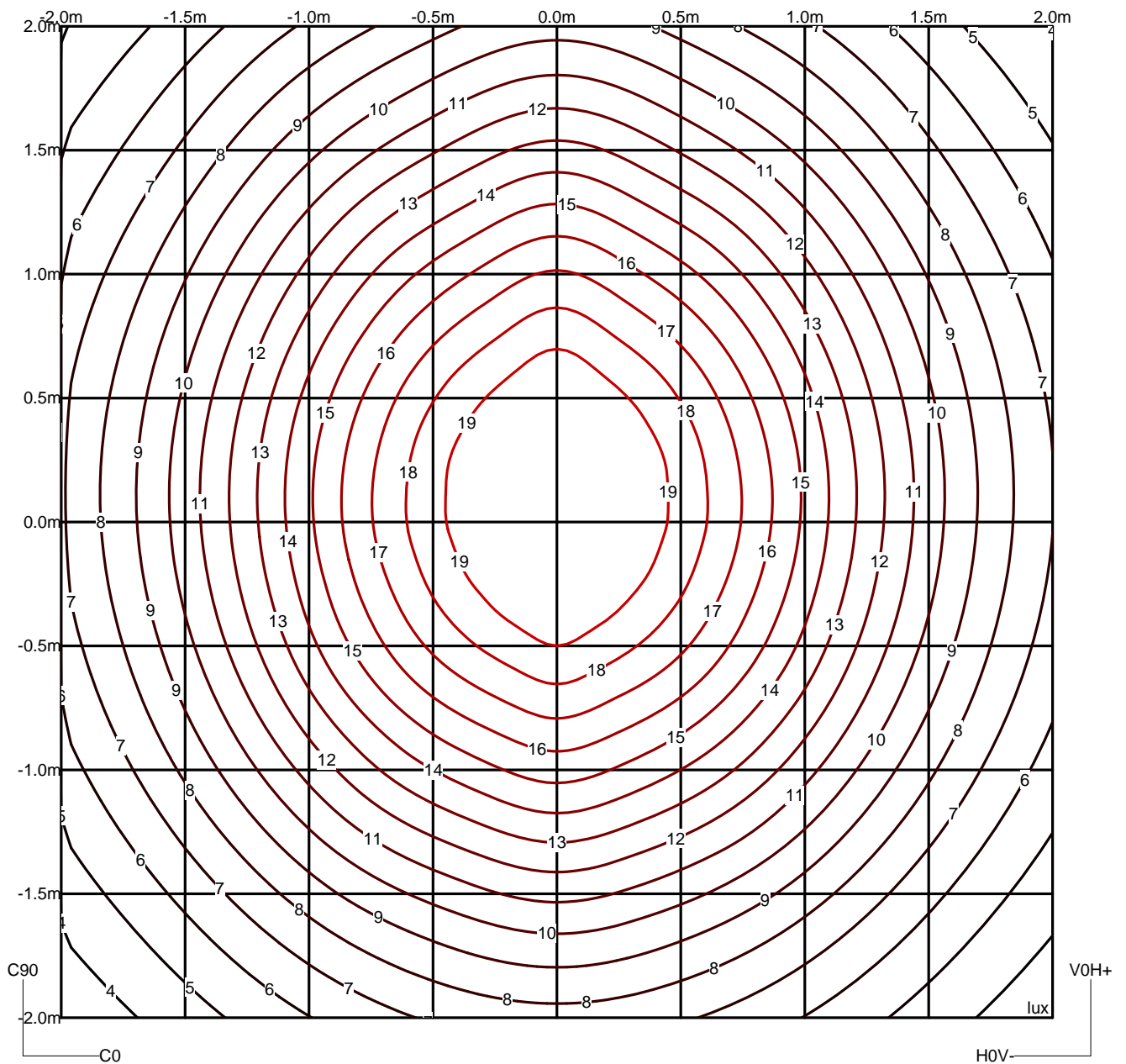
H[m]	D[m]	Max lux	Med lux	Alpha=39.2°+39.2°	G=0.0
1.00	1.63	187	69		
2.00	3.26	47	17		
3.00	4.89	21	8		
4.00	6.52	12	4		
5.00	8.15	7	3		

H[m]	D[m]	Max lux	Med lux	Beta=40.9°+50.7°	G=0.0
1.00	2.09	187	69		
2.00	4.17	47	17		
3.00	6.26	21	8		
4.00	8.34	12	4		
5.00	10.43	7	3		

Luminaire		Measuram.		Lamp	
Code	05-1822-AF-AF	Code	05-1822-AF-AF	Code	05-1822-BW-BW
Name	Aplique 10 led x1W CREE blanco	Name	Aplique 10 led x1W CREE blanco	Number	1
Line	Eulumdat	Date	30-06-2014	Position	
Efficiency	100.00%	Coordinate system	CG	Total Flux	725.02 lm

Isolux (Floor)

Luminaire position X=0.00m Y=0.00m Z=3.00m



Luminaire

Code 05-1822-AF-AF
 Name Aplique 10 led x1W CREE blanco
 Line Eulumdat

Measur.

Code 05-1822-AF-AF
 Name Aplique 10 led x1W CREE blanco
 Date 30-06-2014

Lamp

Code 05-1822-BW-BW
 Number 1
 Position

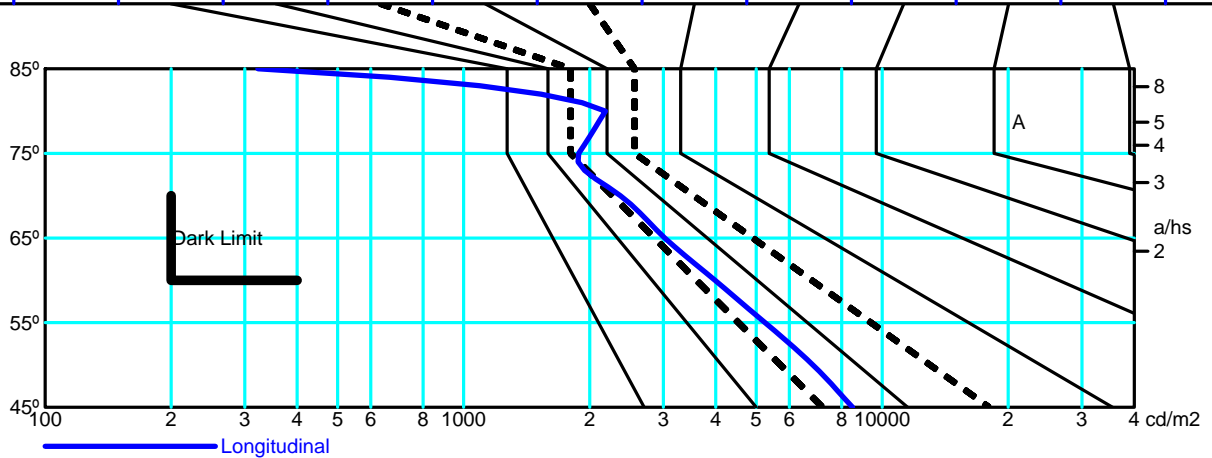
Efficiency 100.00%

Coordinate system CG

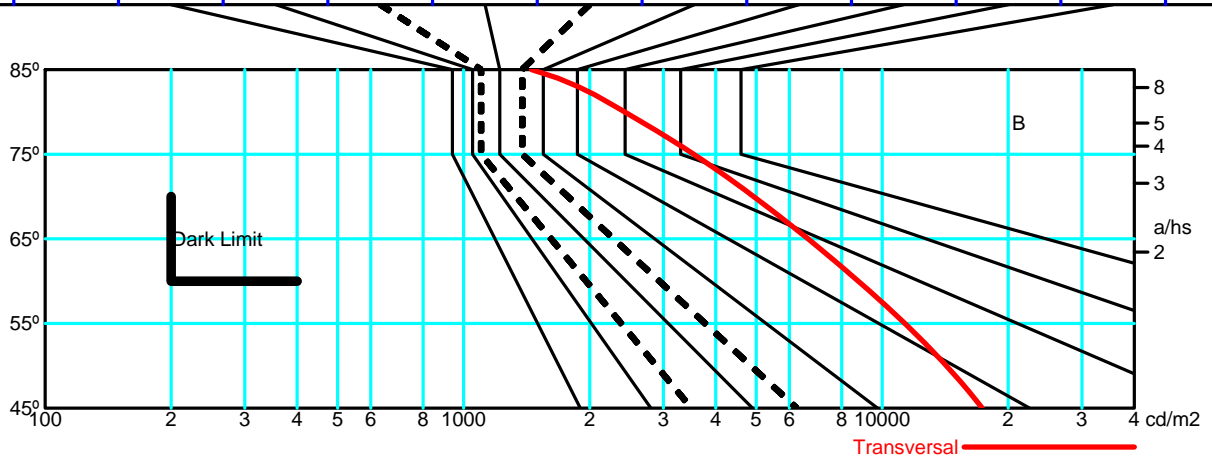
Total Flux 725.02 lm

		Average Luminance [cd/m ²]										
		0.0°	45°	50°	55°	60°	65°	70°	75°	80°	85°	
90.0°		17342	14230	11331	8769	6648	4931	3548	2426	1454	---	
		8492	6833	5244	3988	3024	2368	1884	2180	322	---	

Flush mounted or longitudinal view													
		Illumination (lx)											
A	A	2000	1000	750	500			<300				1.15	
B	1		2000	1500	1000	750	500	<300				1.5	
C					2000			1000	500	<300		1.85	
D	2							2000	1000	500	<300	2.2	
E	3								2000	1000	500	<300	2.55

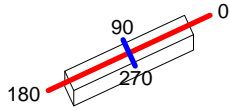


Flush mounted or transversal view													
		Illumination (lx)											
A	A	2000	1000	750	500			<300				1.15	
B	1		2000	1500	1000	750	500	<300				1.5	
C					2000			1000	500	<300		1.85	
D	2							2000	1000	500	<300	2.2	
E	3								2000	1000	500	<300	2.55



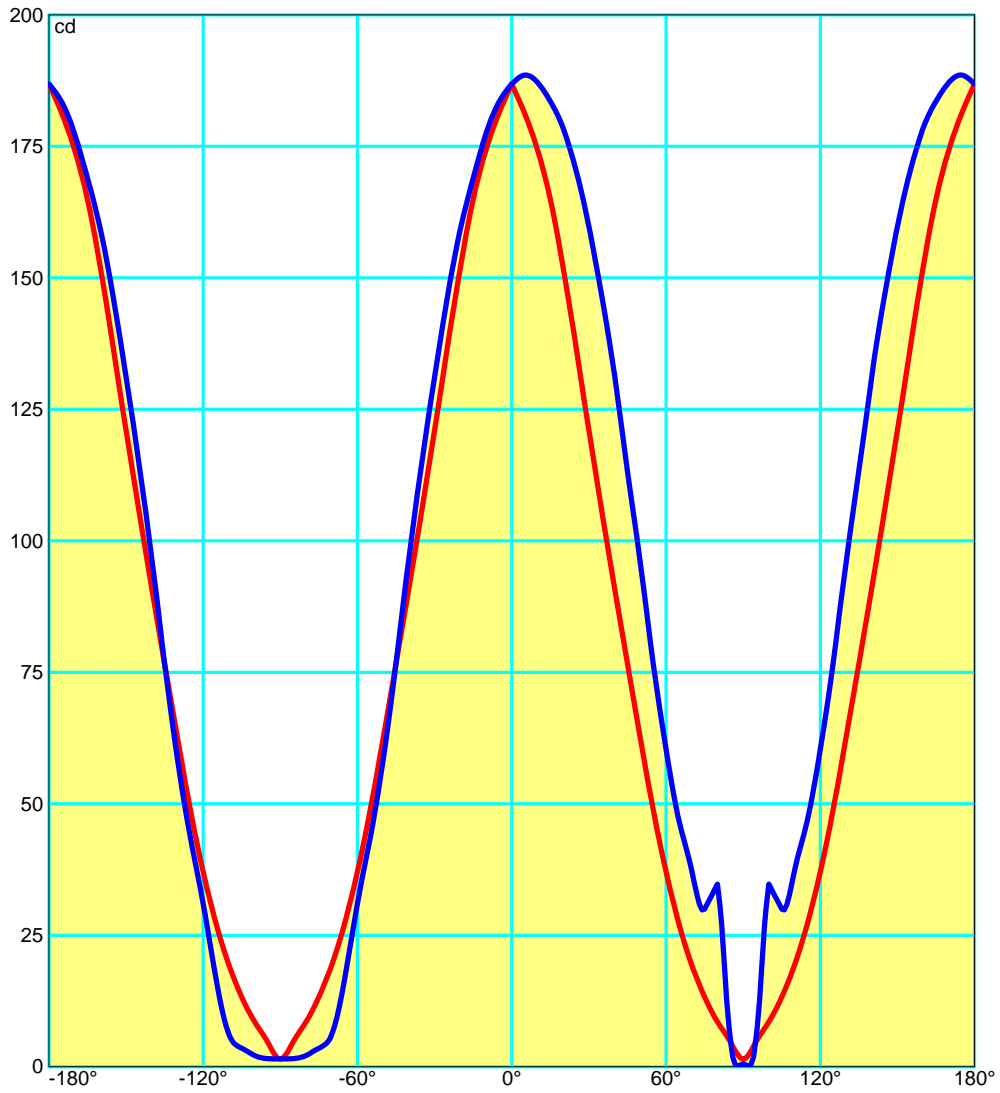
Luminaire		Measur.		Lamp	
Code	05-1822-AF-AF	Code	05-1822-AF-AF	Code	05-1822-BW-BW
Name	Aplique 10 led x1W CREE blanco	Name	Aplique 10 led x1W CREE blanco	Number	1
Line	Eulumat	Date	30-06-2014	Position	
Efficiency	100.00%	Coordinate system	CG	Total Flux	725.02 lm

81mm x 500mm



C Halfplanes

180.0 ——— 0.0
 270.0 ——— 90.0



Luminaire		Measurem.		Lamp	
Code	05-1822-AF-AF	Code	05-1822-AF-AF	Code	05-1822-BW-BW
Name	Aplique 10 led x1W CREE blanco	Name	Aplique 10 led x1W CREE blanco	Number	1
Line	Eulumdat	Date	30-06-2014	Position	
Efficiency	100.00%	Coordinate system	CG	Total Flux	725.02 lm

UGR
S = 0.250

Reflectancies										
Ceiling/Cavity	0.7	0.7	0.5	0.5	0.3	0.7	0.7	0.5	0.5	0.3
Walls	0.5	0.3	0.5	0.3	0.3	0.5	0.3	0.5	0.3	0.3
WorkingPlane	0.2	0.2	0.2	0.2	0.2	0.2	0.2	0.2	0.2	0.2
RoomDimensions	ViewedCrosswise					ViewedEndwise				
x=2H y=2H	14.9	15.7	15.8	16.5	14.9	12.2	12.9	13.1	13.8	14.9
x=2H y=3H	15.5	16.2	16.4	17.0	14.8	12.1	12.8	13.0	13.7	14.8
x=2H y=4H	15.7	16.3	16.6	17.2	14.7	12.0	12.6	12.9	13.5	14.7
x=2H y=6H	15.7	16.3	16.7	17.3	14.5	11.8	12.4	12.8	13.4	14.5
x=2H y=8H	15.8	16.3	16.7	17.3	14.5	11.8	12.3	12.7	13.3	14.5
x=2H y=12H	15.8	16.3	16.7	17.2	14.4	11.7	12.2	12.7	13.2	14.4
x=4H y=2H	14.8	15.5	15.8	16.4	15.0	12.3	12.9	13.2	13.8	15.0
x=4H y=3H	15.5	16.0	16.4	16.9	14.9	12.2	12.7	13.2	13.7	14.9
x=4H y=4H	15.7	16.2	16.7	17.1	14.8	12.1	12.6	13.1	13.5	14.8
x=4H y=6H	15.9	16.3	16.9	17.2	14.6	12.0	12.4	13.0	13.3	14.6
x=4H y=8H	15.9	16.3	16.9	17.3	14.5	11.9	12.3	12.9	13.2	14.5
x=4H y=12H	16.0	16.3	17.0	17.3	14.4	11.8	12.1	12.8	13.1	14.4
x=8H y=4H	15.6	15.9	16.6	16.9	14.6	12.0	12.3	13.0	13.3	14.6
x=8H y=6H	15.8	16.1	16.8	17.1	14.4	11.8	12.1	12.8	13.1	14.4
x=8H y=8H	15.9	16.2	17.0	17.2	14.4	11.8	12.0	12.8	13.0	14.4
x=8H y=12H	16.0	16.3	17.1	17.3	14.3	11.7	11.9	12.7	12.9	14.3
x=12H y=4H	15.5	15.8	16.5	16.8	14.5	11.9	12.2	12.9	13.2	14.5
x=12H y=6H	15.8	16.0	16.8	17.1	14.4	11.8	12.0	12.8	13.0	14.4
x=12H y=8H	15.9	16.1	17.0	17.2	14.3	11.7	11.9	12.7	12.9	14.3

Luminaire	Measur.	Lamp
Code 05-1822-AF-AF	Code 05-1822-AF-AF	Code 05-1822-BW-BW
Name Aplique 10 led x1W CREE blanco	Name Aplique 10 led x1W CREE blanco	Number 1
Line Eulumdat	Date 30-06-2014	Position

Efficiency 100.00%	Coordinate system CG	Total Flux 725.02 lm
--------------------	----------------------	----------------------

Total Flux=725.02 Luminaire Flux=725.02

RI	0.60	0.80	1.00	1.25	1.50	2.00	2.50	3.00	4.00	5.00	10.00	20.00
DRR	0.39	0.48	0.55	0.61	0.66	0.74	0.79	0.82	0.86	0.89	0.94	0.97
RC	4	3	3	3	3	3	3	3	3	3	4	4

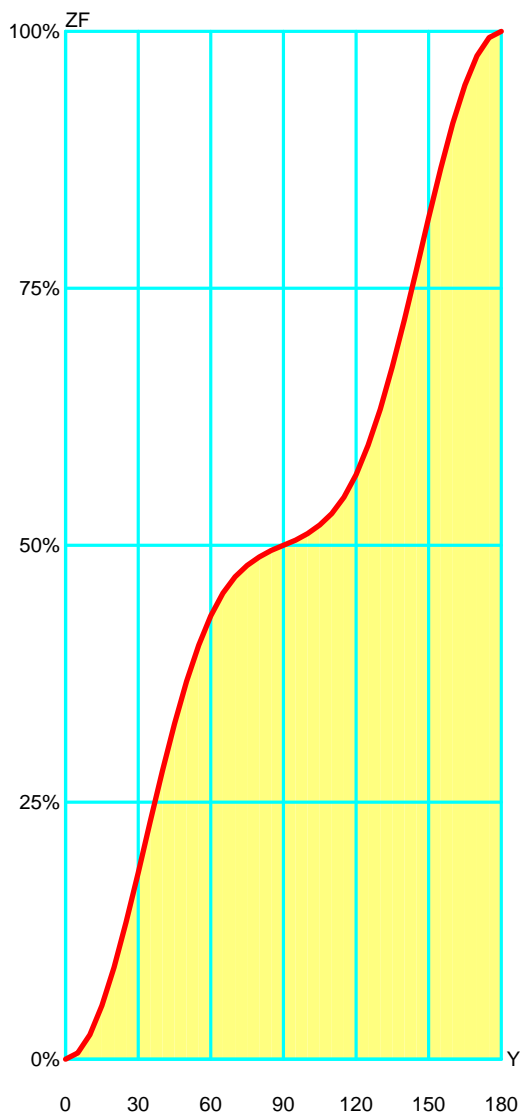
Zonal Flux per 1000 Lumen

Y°	10	20	30	40	50	60	70	80	90	100	110	120	130	140	150	160	170	180
ZF(Y)	24	89	181	280	368	431	469	489	500	511	531	569	632	720	819	911	976	1000

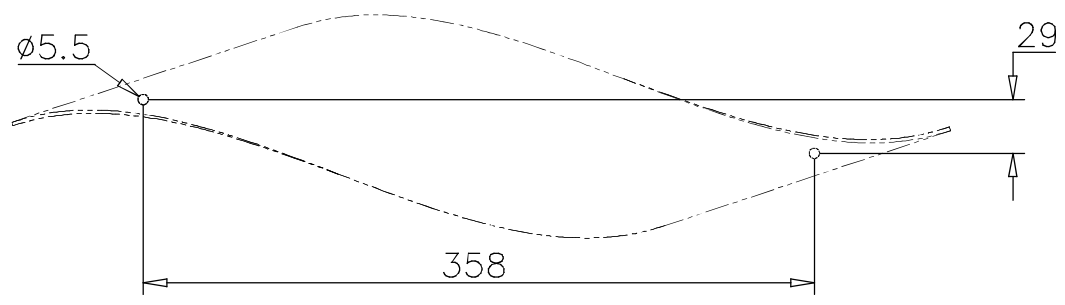
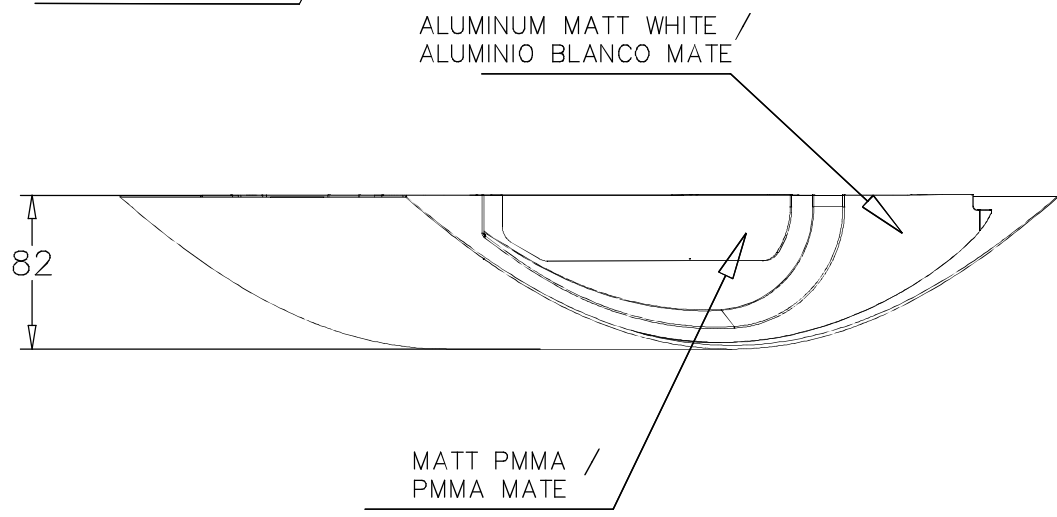
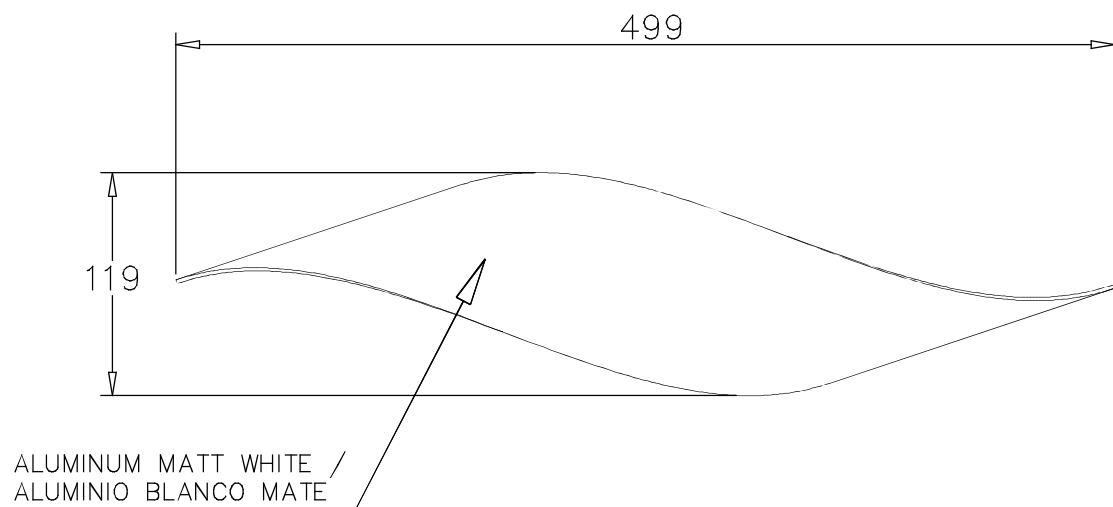
CIE Flux Codes

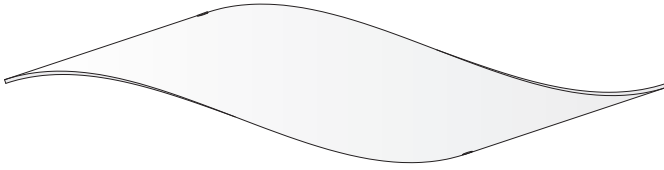
59 86 96 50 100

C.I.E.	4/3/3/3/3/3/3/3/4/4	LOR	100.00000 %
D DIN 5040	C41	ULOR	50.00000 %
F UTE	0.50 D + 0.50 T	DLOR	50.00000 %
B NBN	BZ 3 / 4 / BZ 4	UFF	50.00000 %
RN	50.00000 %	DFF	50.00000 %
BLF	1.0	FFR	100.00000 %

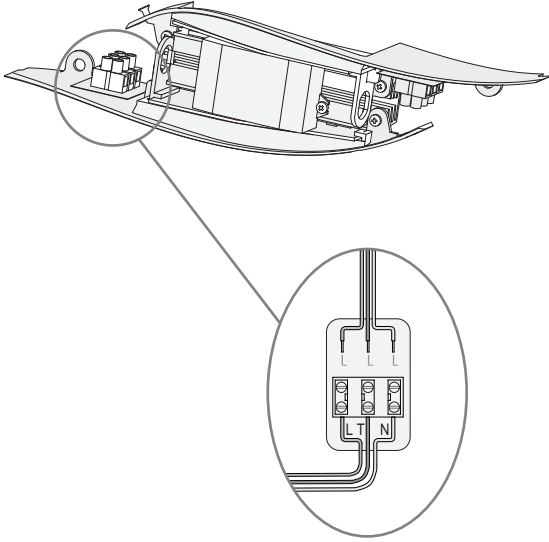


Zonal Flux				
Gamma °	Flux	Sum lm	Flux [%]	Sum [%]
0°	0.00	0.00	0.00%	0.00%
5°	6.09	6.09	0.61%	0.61%
10°	17.75	23.84	1.77%	2.38%
15°	28.30	52.14	2.83%	5.21%
20°	37.21	89.36	3.72%	8.94%
25°	43.96	133.31	4.40%	13.33%
30°	48.16	181.47	4.82%	18.15%
35°	49.84	231.32	4.98%	23.13%
40°	49.09	280.40	4.91%	28.04%
45°	46.06	326.46	4.61%	32.65%
50°	41.18	367.65	4.12%	36.76%
55°	35.10	402.74	3.51%	40.27%
60°	28.57	431.32	2.86%	43.13%
65°	22.04	453.36	2.20%	45.34%
70°	15.90	469.26	1.59%	46.93%
75°	11.05	480.31	1.10%	48.03%
80°	8.29	488.60	0.83%	48.86%
85°	6.44	495.03	0.64%	49.50%
90°	4.97	500.00	0.50%	50.00%
95°	4.97	504.97	0.50%	50.50%
100°	6.44	511.40	0.64%	51.14%
105°	8.29	519.69	0.83%	51.97%
110°	11.05	530.74	1.10%	53.07%
115°	15.90	546.64	1.59%	54.66%
120°	22.04	568.68	2.20%	56.87%
125°	28.57	597.26	2.86%	59.73%
130°	35.10	632.35	3.51%	63.24%
135°	41.18	673.54	4.12%	67.35%
140°	46.06	719.60	4.61%	71.96%
145°	49.09	768.68	4.91%	76.87%
150°	49.84	818.53	4.98%	81.85%
155°	48.16	866.69	4.82%	86.67%
160°	43.96	910.64	4.40%	91.06%
165°	37.21	947.86	3.72%	94.79%
170°	28.30	976.16	2.83%	97.62%
175°	17.75	993.91	1.77%	99.39%
180°	6.09	1000.00	0.61%	100.00%

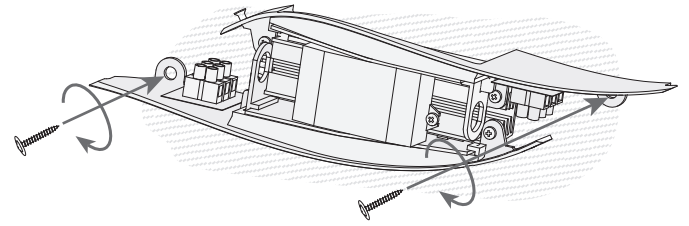




1

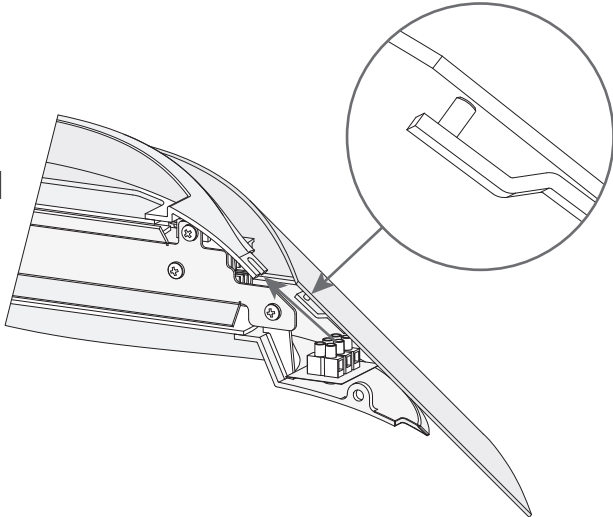


2

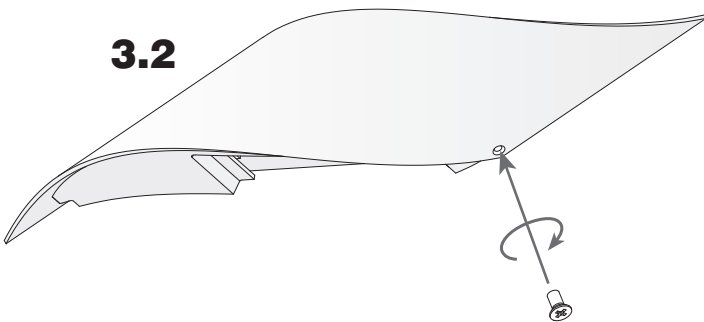


3

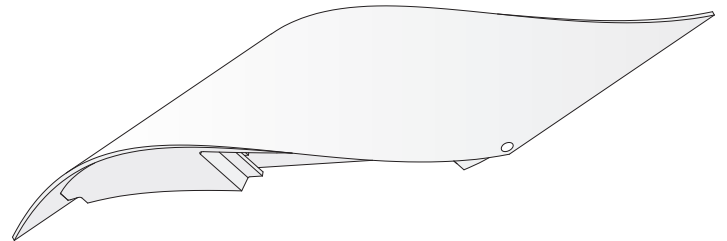
3.1

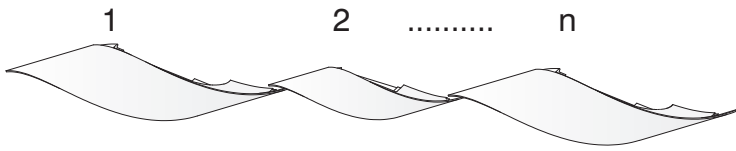


3.2

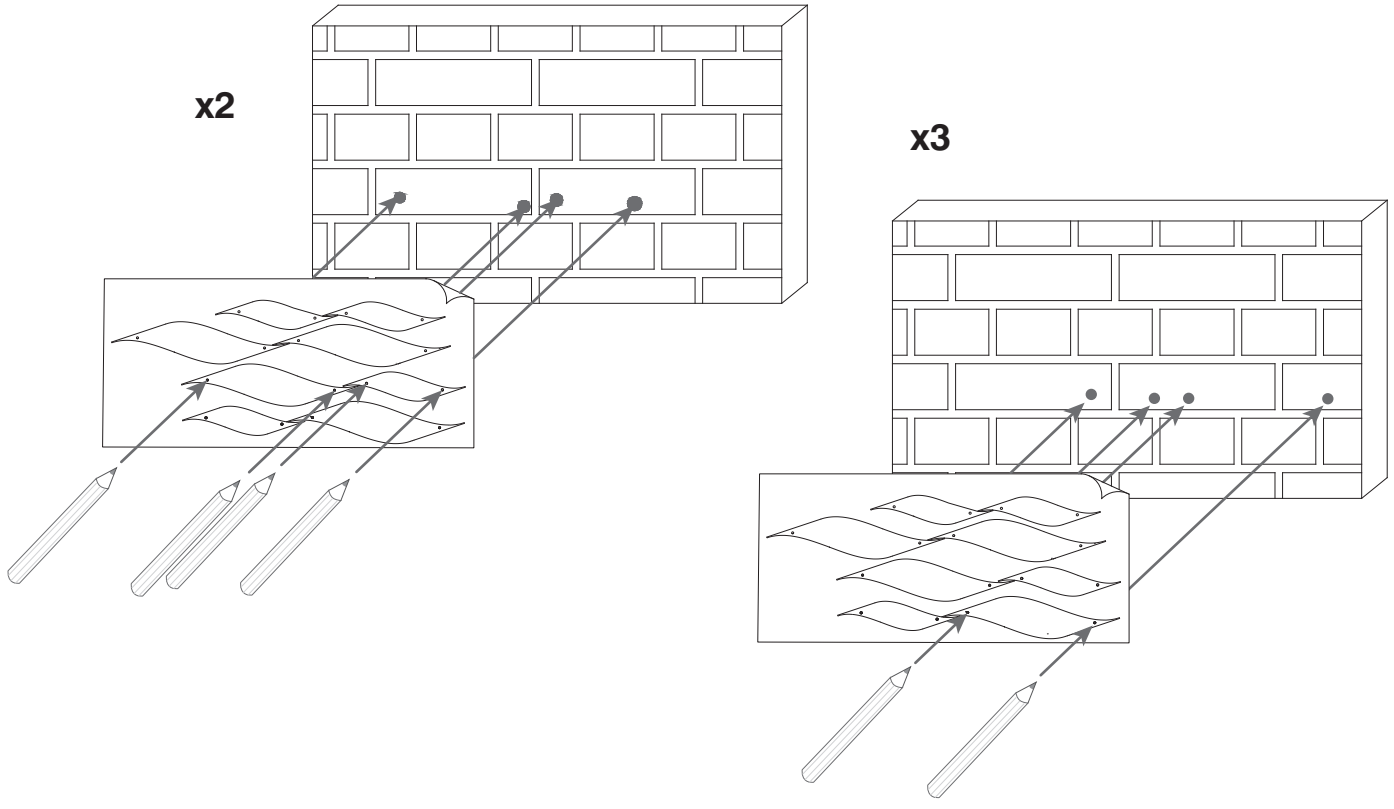


4

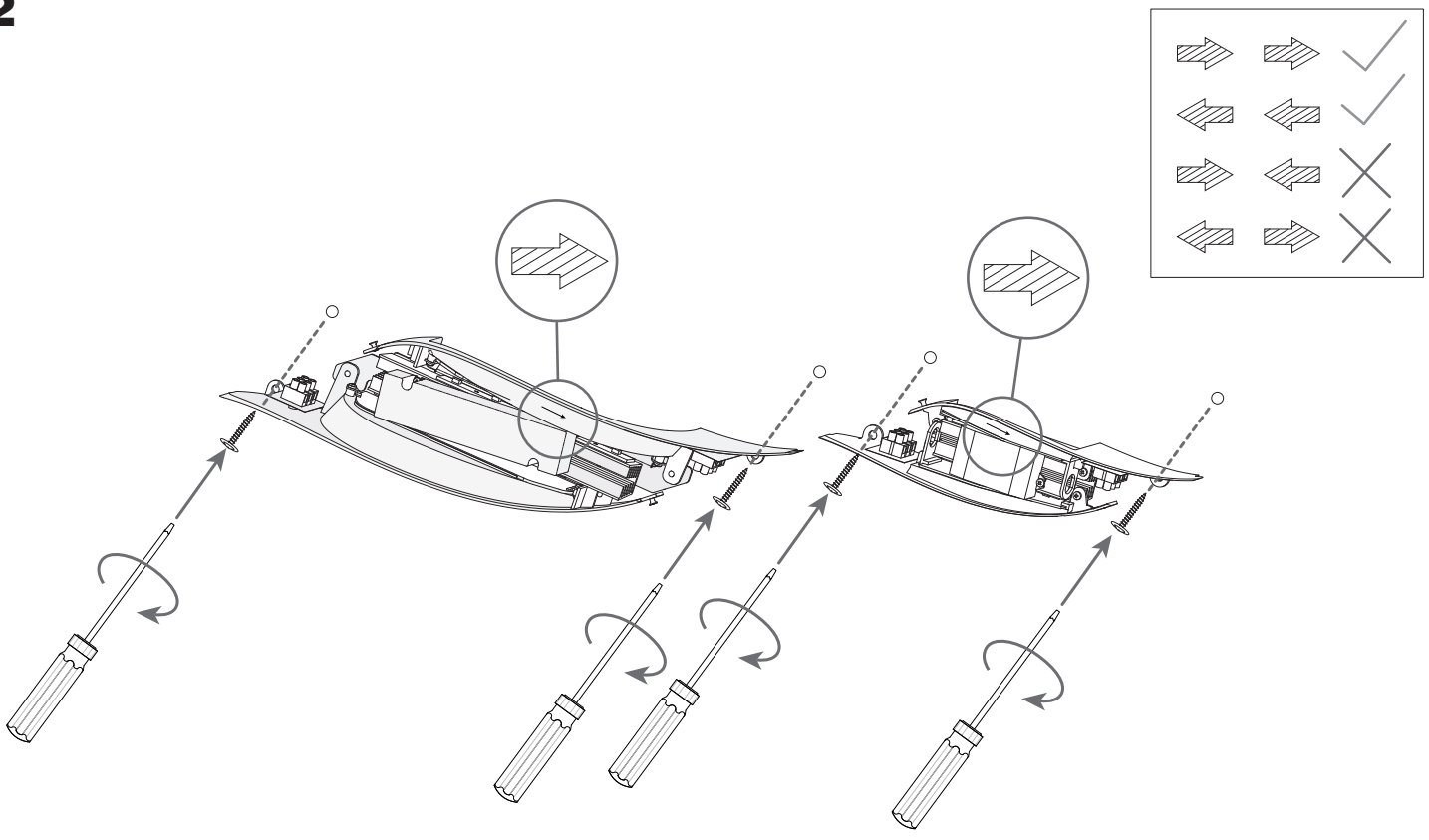


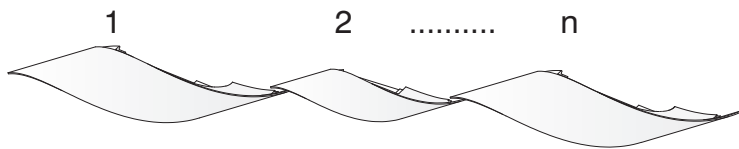


1

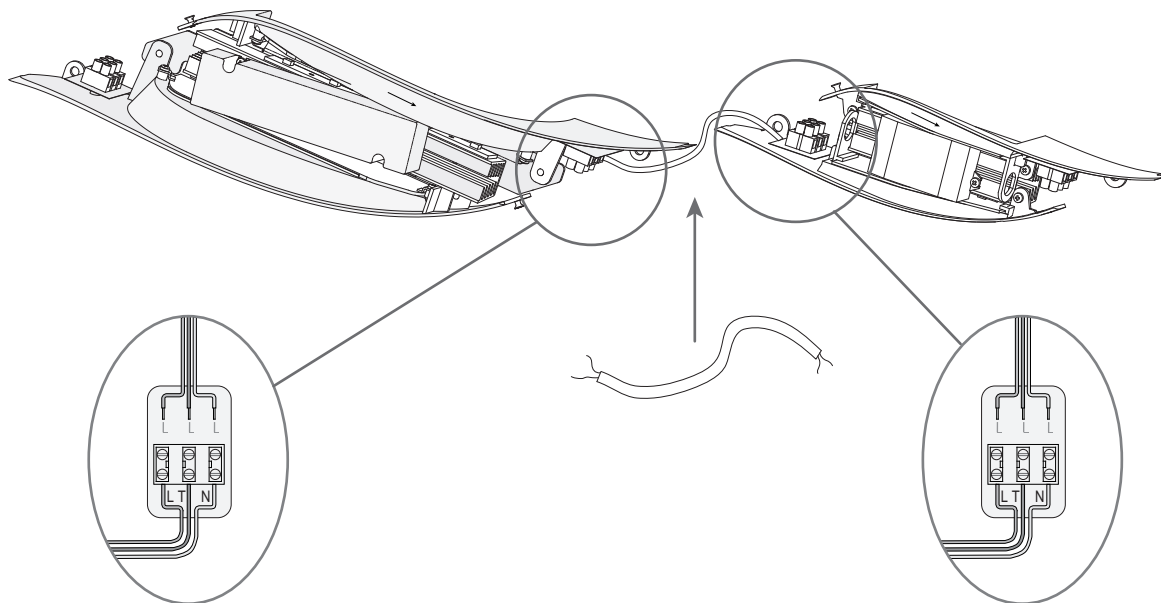


2





3



4

