

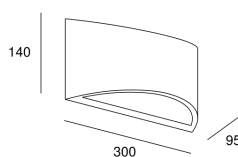


Ges Deco Oval

05-1796-14-14

Wall fixture Ges Deco Oval E14 40W White

TECHNICAL FEATURES



IP20



Power (W) : Max. power 40W

Total power consumption of light (W) : 40W

Structure material : Plaster

Structure finish : White

Max. size of light bulb : 129/45 mm

Recommended light bulb : E14

Voltage / frequency : 100-240V/50-60Hz

Warranty : 5 Years

Energy efficiency : Light bulb not included

LUMINOTECHNIC FEATURES

Lampholder: 1 x E14

VENTILATION FEATURES

Power used: 40W

Service value measurement standard: EN 60879:2019

LOGISTICS

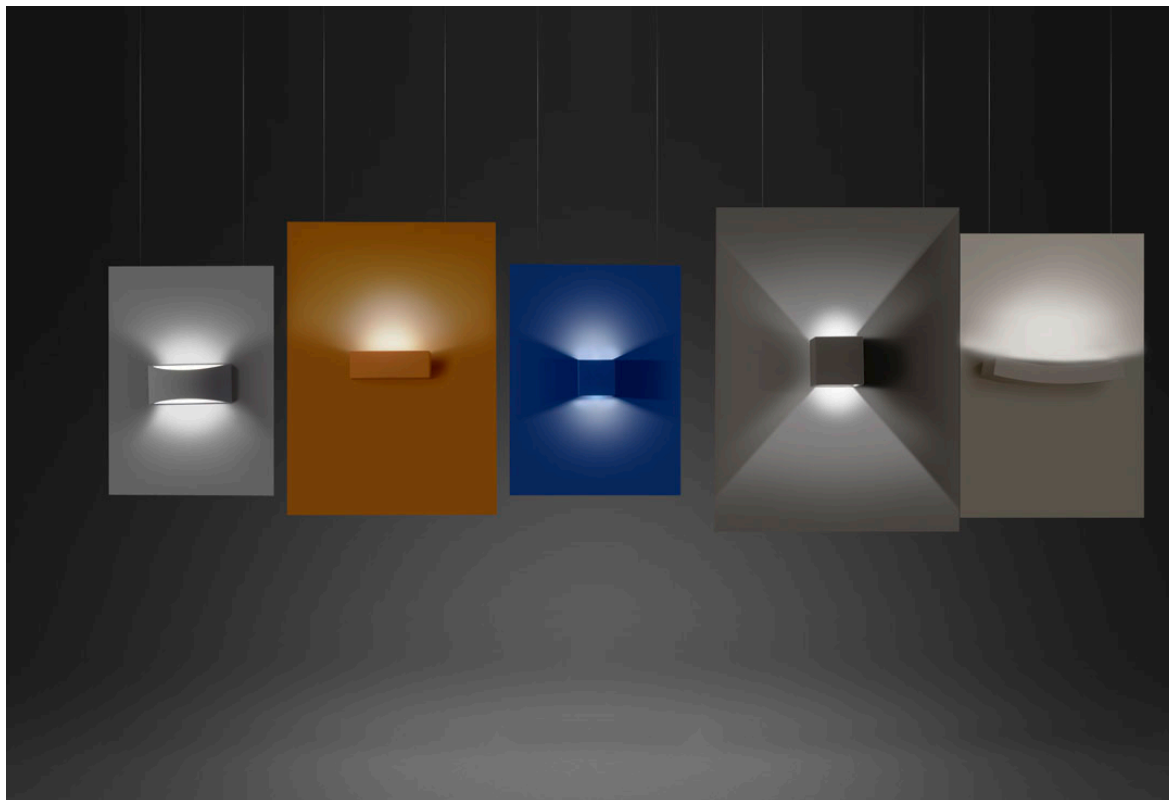
Net weight (kg): 1.19

Packaged weight (kg): 1.57

Packaging: 355mm x 205mm x 160mm



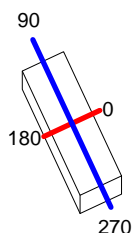
8 Un



Luminaire		Measur.		Lamp		
Code	05-1796	Code	05-1796	Code	INCANDESCENT	
Name	WALL LIGHT	Name	WALL LIGHT	Number	1	
Line	Eulumdat	Date	16-11-2013	Position		
Efficiency	66.26%	Coordinate system	CG	Total Flux	415.00 lm	
Maximum value	84.04 cd	Position	C=180.00 G=66.00	Asymmetrical		
Rectangular Luminaire	Length	300 mm	Width	100 mm	Height	140 mm
Rectangular Luminous Area	Length	300 mm	Width	100 mm	Height	140 mm
Horizontal Luminous Area	0.030000 m2	Emitting area on Plane 180°		0.042000 m2		
Emitting area on Plane 0°	0.042000 m2	Emitting area on Plane 270°		0.014000 m2		
Emitting area on Plane 90°	0.014000 m2	Glare area at 76°		0.048010 m2		
Symmetry Type	Asymmetrical	Maximum Gamma Angle		180		
Measurement Distance	0.00	Measurement Flux		415.00 lm		
Operator		Source voltage				
Temperature	25.00 °C	Source current				
Humidity	60.00 %	Photocell				
Notes						

Luminaire Lamps						
Line	Code	Name	Flux [lm]	Pow. [W]	Q.ty	
Eulumdat	INCANDESCENT	INCANDESCENT - 38.10 W	415.00	38.10	1	
C.I.E.	11 34 68 66 66	D DIN 5040				
F UTE	--	B NBN				B11 BZ 10

300mm x 100mm



C Halfplanes

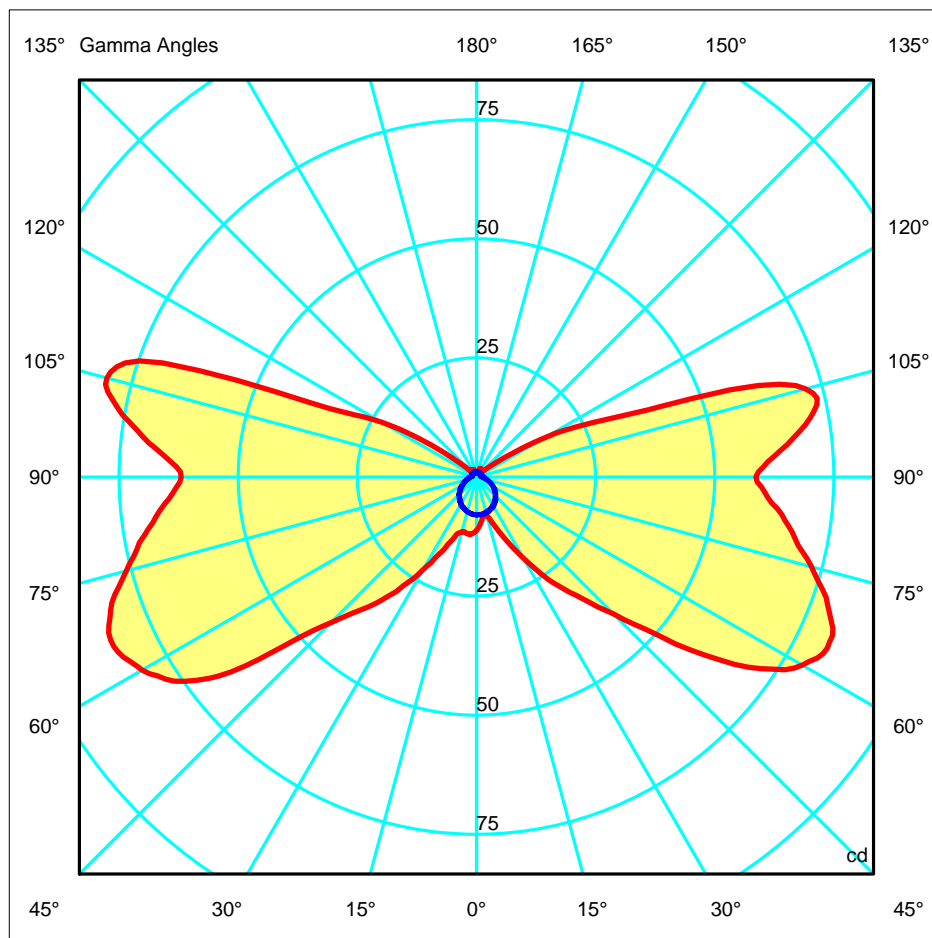
180.0 — 0.0

270.0 — 90.0

ULOR 22.81 %

DLOR 43.45 %

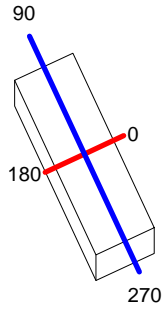
RN 34.43 %



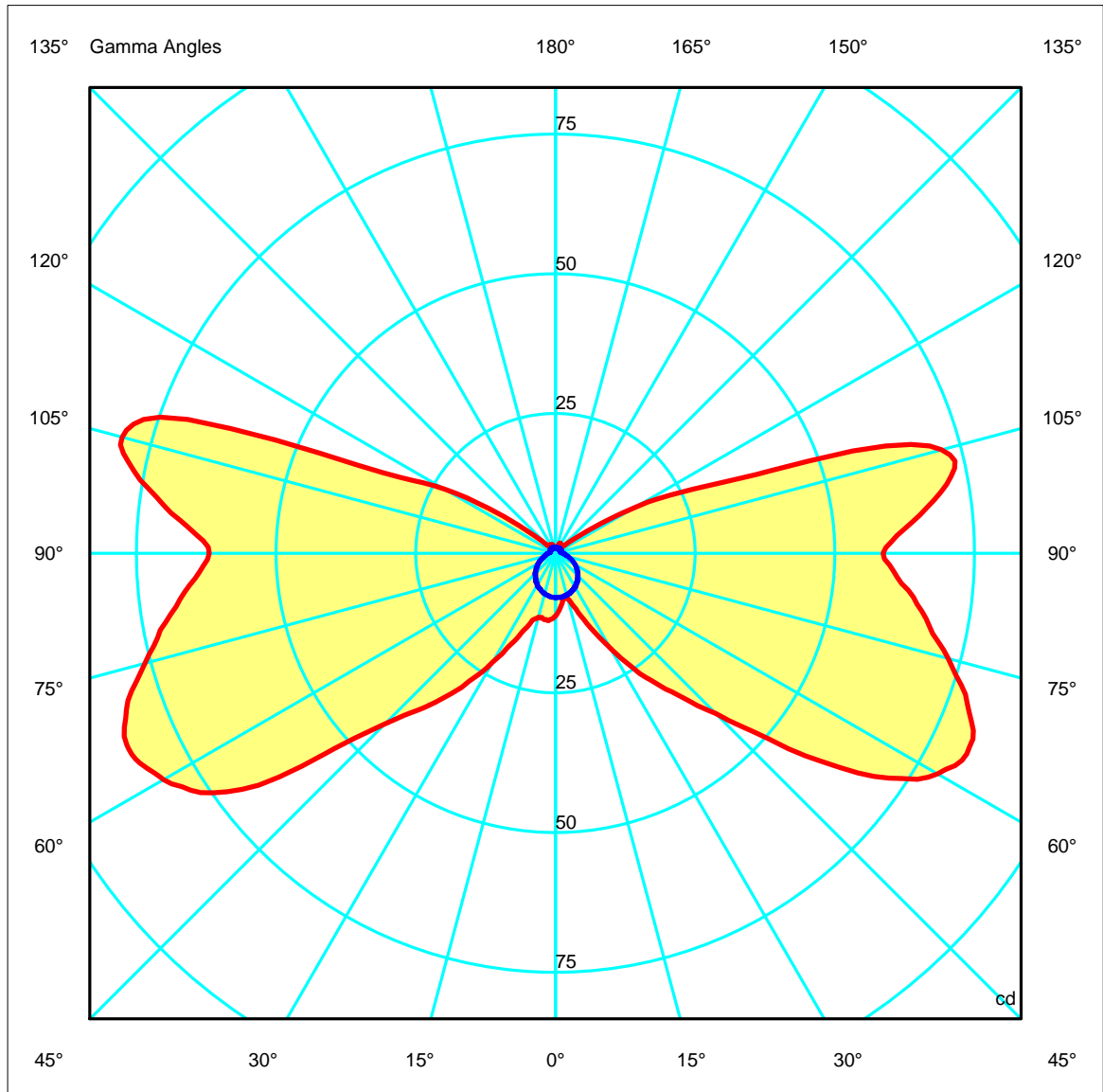
Luminaire		Measur.		Lamp	
Code	05-1796	Code	05-1796	Code	INCANDESCENT
Name	WALL LIGHT	Name	WALL LIGHT	Number	1
Line	Eulumdat	Date	16-11-2013	Position	
Efficiency	66.26%	Coordinate system	CG	Total Flux	415.00 lm

300mm x 100mm

C Halfplanes



180.0 ——— 0.0
 270.0 ——— 90.0



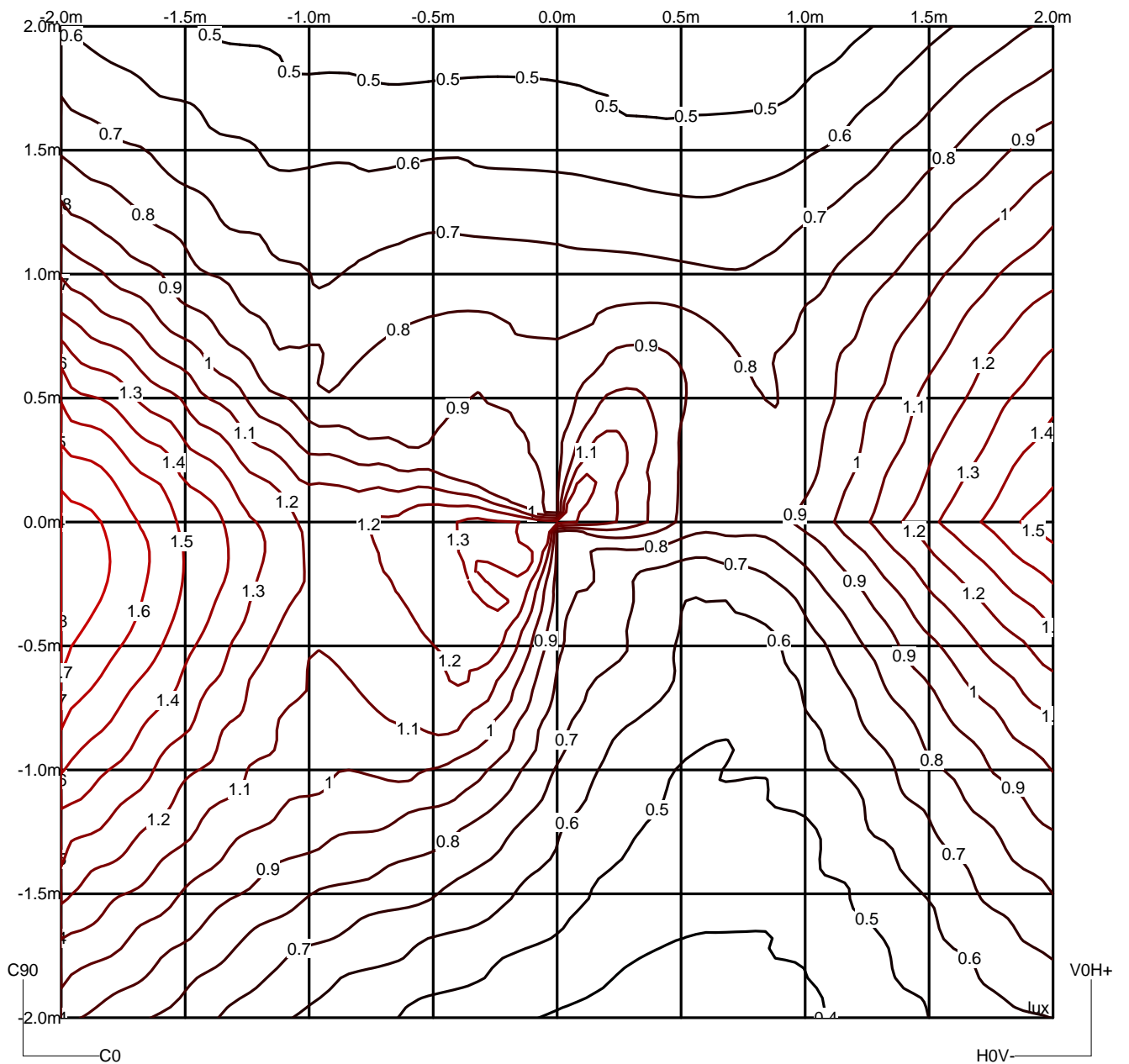
Luminaire		Measur.		Lamp		
Code	05-1796	Code	05-1796	Code	INCANDESCENT	
Name	WALL LIGHT	Name	WALL LIGHT	Number	1	
Line	Eulmdat	Date	16-11-2013	Position		
Efficiency		66.26%	Coordinate system	CG	Total Flux	415.00 lm

Left beam angle not found, gamma = -66

Luminaire		Measur.		Lamp	
Code	05-1796	Code	05-1796	Code	INCANDESCENT
Name	WALL LIGHT	Name	WALL LIGHT	Number	1
Line	Eulumdat	Date	16-11-2013	Position	
Efficiency	66.26%	Coordinate system	CG	Total Flux	415.00 lm

Isolux (Floor)

Luminaire position X=0.00m Y=0.00m Z=3.00m



Luminaire

Code 05-1796
 Name WALL LIGHT
 Line Eulumdat

Measur.

Code 05-1796
 Name WALL LIGHT
 Date 16-11-2013

Lamp

Code INCANDESCENT
 Number 1
 Position

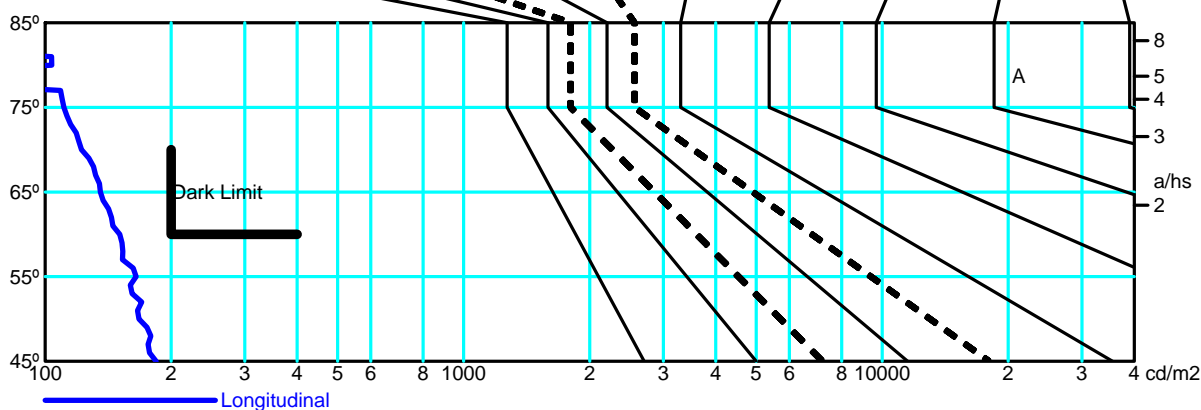
Efficiency 66.26%

Coordinate system CG

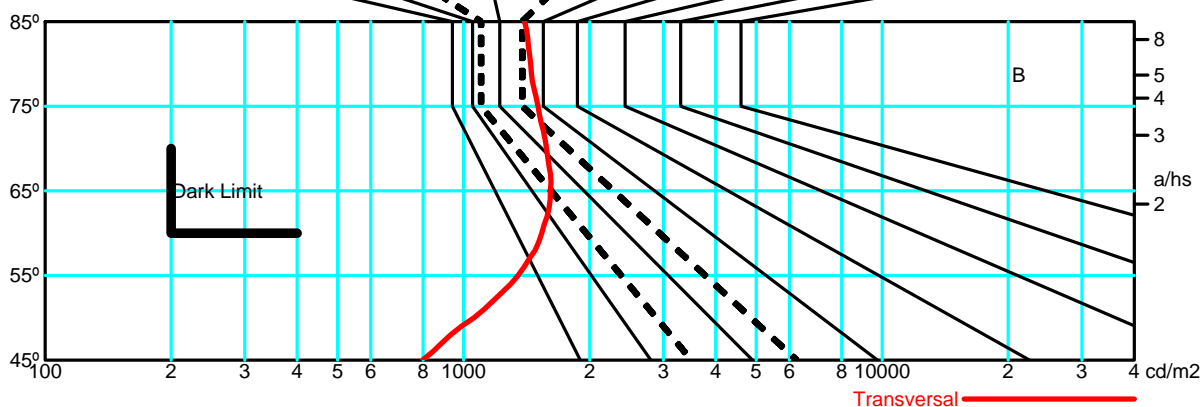
Total Flux 415.00 lm

		Average Luminance [cd/m ²]										
		0.0°	45°	50°	55°	60°	65°	70°	75°	80°	85°	
90.0°		184	797	1058	1349	1537	1612	1577	1505	1446	1398	---

Flush mounted or longitudinal view												
		Illumination(lx)										
A	A	2000	1000	750	500	<300						1.15
B	1		2000	1500	1000	750	500	<300				1.5
C					2000		1000	500	<300			1.85
D	2						2000	1000	500	<300		2.2
E	3							2000	1000	500	<300	2.55

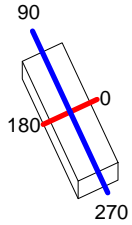


Flush mounted or transversal view												
		Illumination(lx)										
A	A	2000	1000	750	500	<300						1.15
B	1		2000	1500	1000	750	500	<300				1.5
C					2000		1000	500	<300			1.85
D	2						2000	1000	500	<300		2.2
E	3							2000	1000	500	<300	2.55



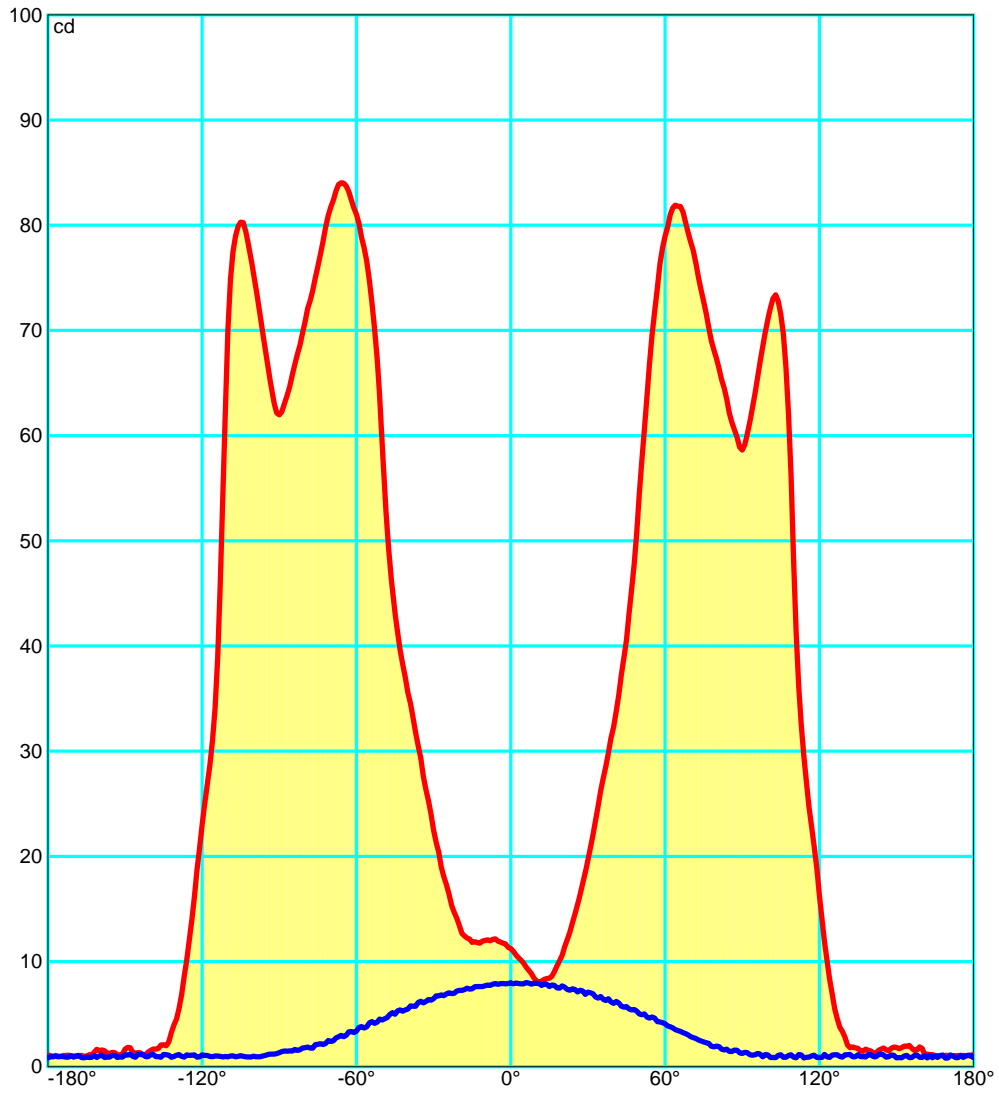
Luminaire		Measur.		Lamp	
Code	05-1796	Code	05-1796	Code	INCANDESCENT
Name	WALL LIGHT	Name	WALL LIGHT	Number	1
Line	Eulumdat	Date	16-11-2013	Position	
Efficiency	66.26%	Coordinate system	CG	Total Flux	415.00 lm

300mm x 100mm



C Halfplanes

180.0 ——— 0.0
270.0 ——— 90.0



Luminaire		Measur.		Lamp	
Code	05-1796	Code	05-1796	Code	INCANDESCENT
Name	WALL LIGHT	Name	WALL LIGHT	Number	1
Line	Eulumdat	Date	16-11-2013	Position	
Efficiency	66.26%	Coordinate system	CG	Total Flux	415.00 lm

UGR
S = 0.250

Reflectancies										
Ceiling/Cavity	0.7	0.7	0.5	0.5	0.3	0.7	0.7	0.5	0.5	0.3
Walls	0.5	0.3	0.5	0.3	0.3	0.5	0.3	0.5	0.3	0.3
WorkingPlane	0.2	0.2	0.2	0.2	0.2	0.2	0.2	0.2	0.2	0.2
RoomDimensions	ViewedCrosswise					ViewedEndwise				
x=2H y=2H	13.5	14.7	14.2	15.5	4.4	1.4	2.7	2.1	3.4	4.4
x=2H y=3H	17.0	18.1	17.7	18.9	5.3	2.3	3.4	3.1	4.3	5.3
x=2H y=4H	18.4	19.5	19.2	20.3	5.7	2.8	3.9	3.5	4.7	5.7
x=2H y=6H	19.7	20.7	20.5	21.5	6.1	3.3	4.3	4.1	5.1	6.1
x=2H y=8H	20.2	21.2	21.0	22.1	6.3	3.5	4.5	4.3	5.3	6.3
x=2H y=12H	20.8	21.7	21.6	22.6	6.5	3.6	4.6	4.4	5.4	6.5
x=4H y=2H	13.8	14.9	14.5	15.7	10.8	7.9	9.0	8.7	9.8	10.8
x=4H y=3H	17.6	18.5	18.4	19.4	11.8	8.9	9.9	9.7	10.7	11.8
x=4H y=4H	19.2	20.1	20.1	21.0	12.1	9.3	10.2	10.2	11.1	12.1
x=4H y=6H	20.7	21.5	21.6	22.4	12.5	9.7	10.5	10.6	11.4	12.5
x=4H y=8H	21.4	22.2	22.3	23.1	12.6	9.9	10.7	10.8	11.5	12.6
x=4H y=12H	22.1	22.8	23.0	23.7	12.7	10.0	10.7	10.9	11.6	12.7
x=8H y=4H	19.4	20.1	20.2	21.0	15.6	12.8	13.6	13.7	14.5	15.6
x=8H y=6H	21.2	21.8	22.0	22.7	16.3	13.7	14.3	14.6	15.2	16.3
x=8H y=8H	22.1	22.6	23.0	23.5	16.7	14.1	14.6	15.0	15.5	16.7
x=8H y=12H	23.0	23.4	23.9	24.4	16.9	14.3	14.8	15.2	15.7	16.9
x=12H y=4H	19.4	20.0	20.2	20.9	16.3	13.6	14.3	14.5	15.2	16.3
x=12H y=6H	21.2	21.8	22.1	22.7	17.5	14.8	15.4	15.7	16.3	17.5
x=12H y=8H	22.2	22.7	23.1	23.6	18.0	15.4	15.9	16.3	16.8	18.0

Luminaire	Measur.	Lamp
Code 05-1796	Code 05-1796	Code INCANDESCENT
Name WALL LIGHT	Name WALL LIGHT	Number 1
Line Eulumdat	Date 16-11-2013	Position

Efficiency 66.26%	Coordinate system CG	Total Flux 415.00 lm
-------------------	----------------------	----------------------

Total Flux=415.00 Luminaire Flux=274.98

	0.60	0.80	1.00	1.25	1.50	2.00	2.50	3.00	4.00	5.00	10.00	20.00
RI	0.06	0.11	0.15	0.21	0.26	0.34	0.41	0.47	0.55	0.61	0.76	0.86
DRR	-	-	-	-	-	-	-	-	-	-	10	10
RC												

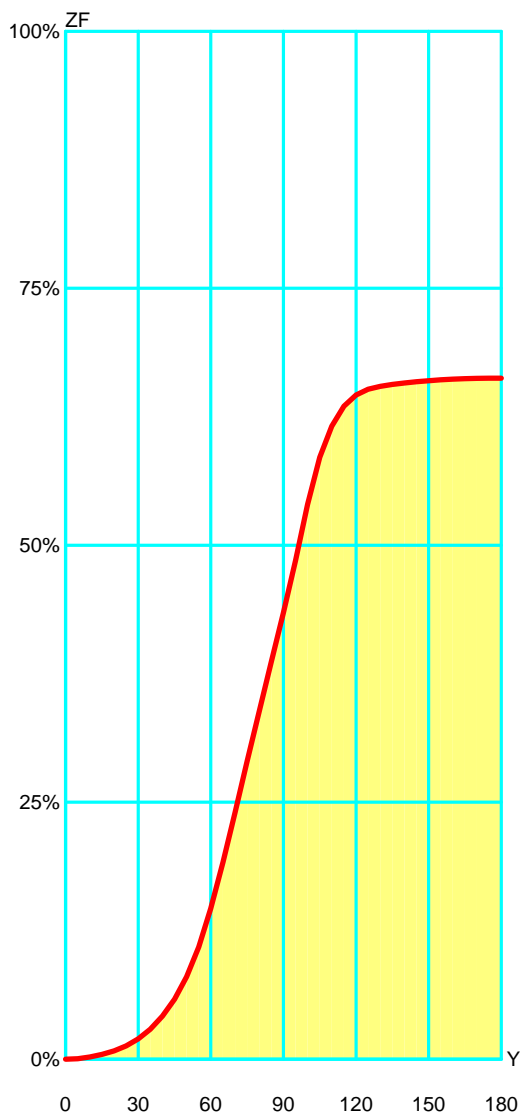
Zonal Flux per 1000 Lumen

	10	20	30	40	50	60	70	80	90	100	110	120	130	140	150	160	170	180
Y°	2	8	20	42	80	147	240	339	434	540	616	646	655	658	660	662	662	663
ZF(Y)																		

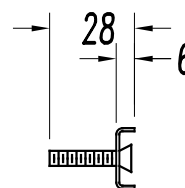
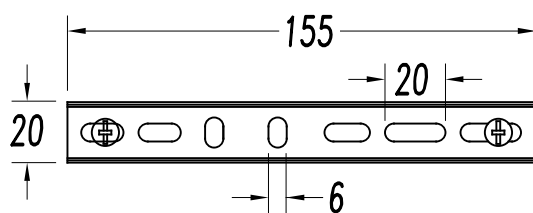
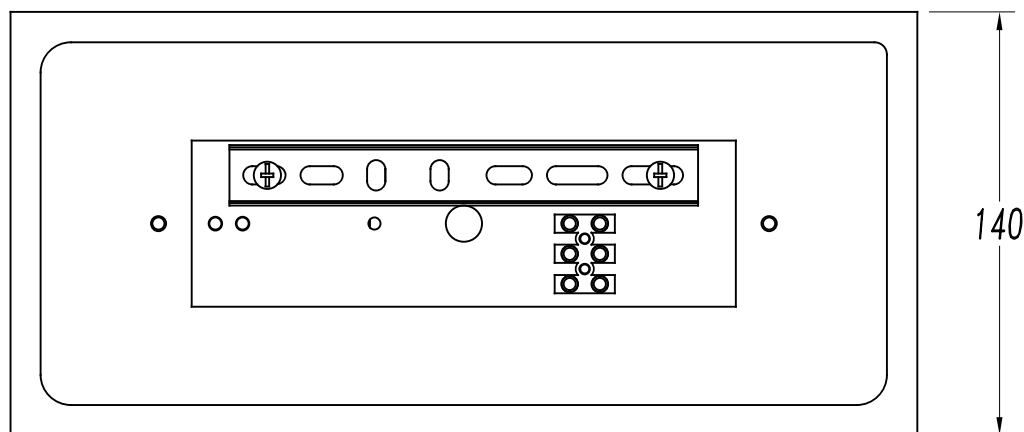
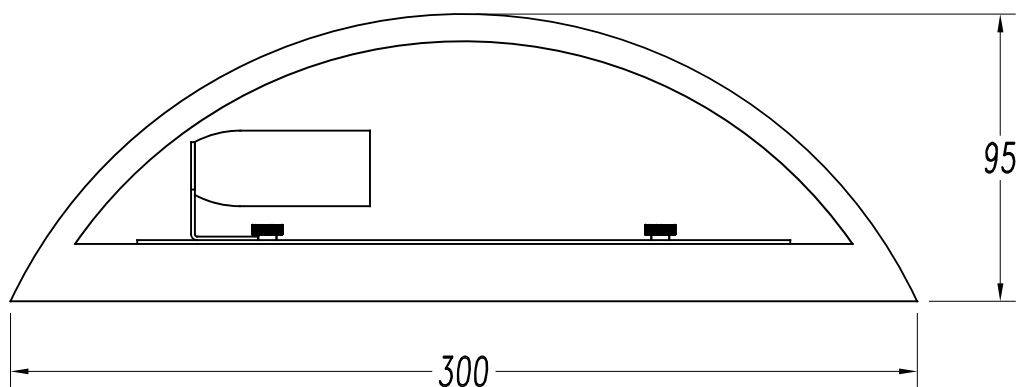
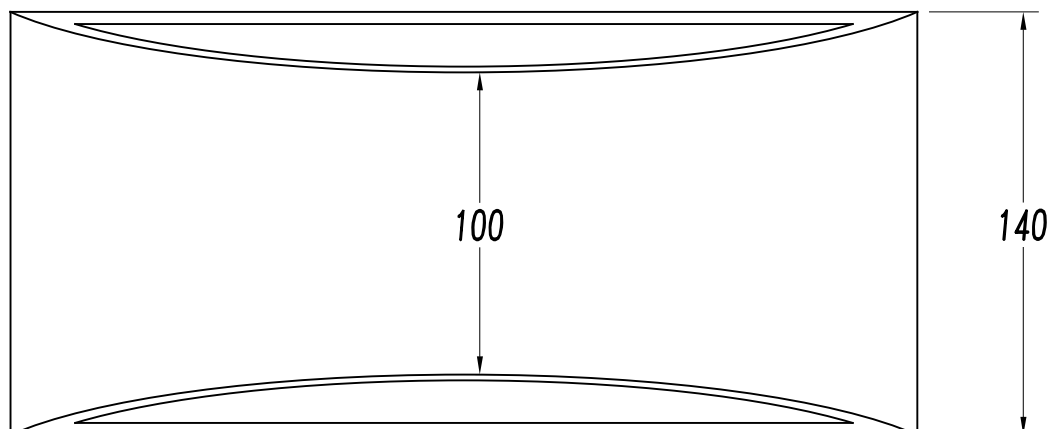
CIE Flux Codes

11 34 68 66 66

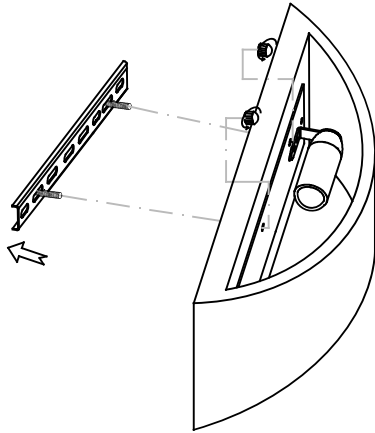
C.I.E.	-/-/-/-/-/-/-/10/10	LOR	66.26123 %
D DIN 5040	B11	ULOR	22.81344 %
F UTE	--	DLOR	43.44779 %
B NBN	BZ 10	UFF	34.42954 %
RN	34.42954 %	DFF	65.57046 %
BLF	1.0	FFR	52.50771 %



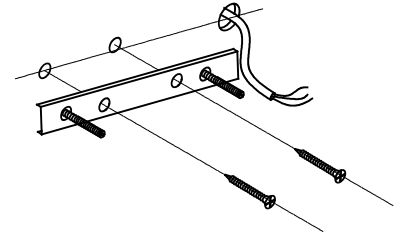
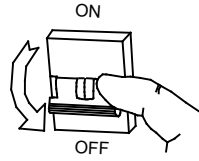
Zonal Flux				
Gamma °	Flux	Sum lm	Flux [%]	Sum [%]
0°	0.00	0.00	0.00%	0.00%
5°	0.55	0.55	0.08%	0.08%
10°	1.59	2.14	0.24%	0.32%
15°	2.53	4.67	0.38%	0.70%
20°	3.50	8.17	0.53%	1.23%
25°	4.83	13.00	0.73%	1.96%
30°	6.77	19.77	1.02%	2.98%
35°	9.36	29.14	1.41%	4.40%
40°	12.71	41.84	1.92%	6.32%
45°	16.62	58.46	2.51%	8.82%
50°	21.68	80.15	3.27%	12.10%
55°	28.96	109.10	4.37%	16.47%
60°	37.55	146.65	5.67%	22.13%
65°	44.76	191.42	6.76%	28.89%
70°	48.68	240.10	7.35%	36.23%
75°	49.62	289.72	7.49%	43.72%
80°	48.85	338.57	7.37%	51.10%
85°	47.97	386.54	7.24%	58.34%
90°	47.94	434.48	7.24%	65.57%
95°	50.86	485.34	7.68%	73.25%
100°	54.50	539.84	8.22%	81.47%
105°	45.71	585.55	6.90%	88.37%
110°	30.33	615.88	4.58%	92.95%
115°	19.42	635.30	2.93%	95.88%
120°	10.83	646.13	1.63%	97.51%
125°	5.59	651.72	0.84%	98.36%
130°	2.89	654.60	0.44%	98.79%
135°	1.83	656.44	0.28%	99.07%
140°	1.42	657.85	0.21%	99.28%
145°	1.19	659.04	0.18%	99.46%
150°	1.06	660.10	0.16%	99.62%
155°	0.87	660.97	0.13%	99.75%
160°	0.69	661.66	0.10%	99.86%
165°	0.43	662.09	0.06%	99.92%
170°	0.29	662.38	0.04%	99.96%
175°	0.18	662.55	0.03%	99.99%
180°	0.06	662.61	0.01%	100.00%



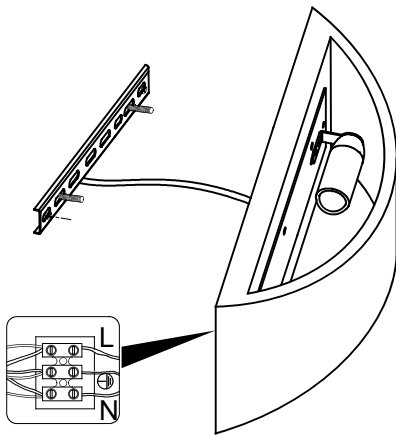
1



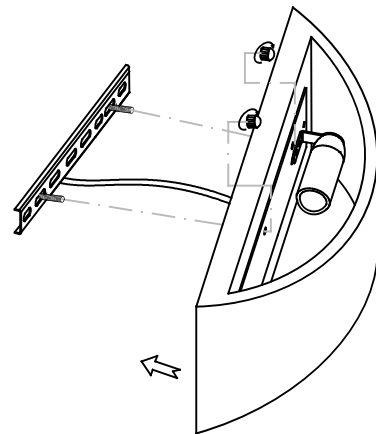
2



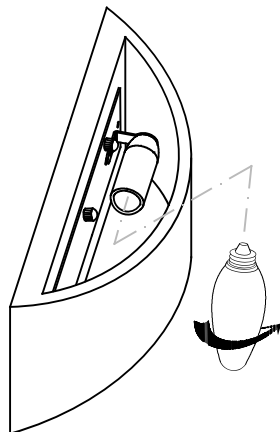
3



4



5



6

