

05-0850-16-21

V0



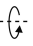


## VESPA Wall fixture

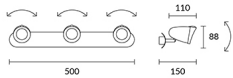
Designer: Carlos Santolaria &amp; Manel Llusca

**Description**

Wall fixture VESPA GU10 6W Off white

	Finish	Material
Structure	Off white	Steel Aluminium

 IP20
  0,5m
  355°
  0° a 90°
  6

**TECHNICAL CHARACTERISTICS****Light source**

Lampholder: 3 x GU10  
 Light source power (W): MAX 6W  
 Luminaire total power (W): 18W  
 Quantity: 3  
 Recommended lamp: GU10

**GEAR**

Voltage / Frequency:  
 220-240VAC/50-60Hz

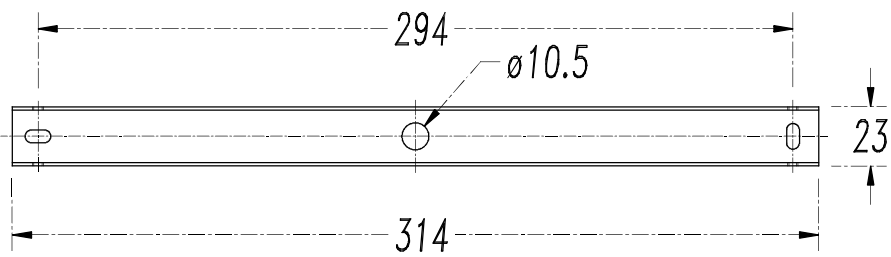
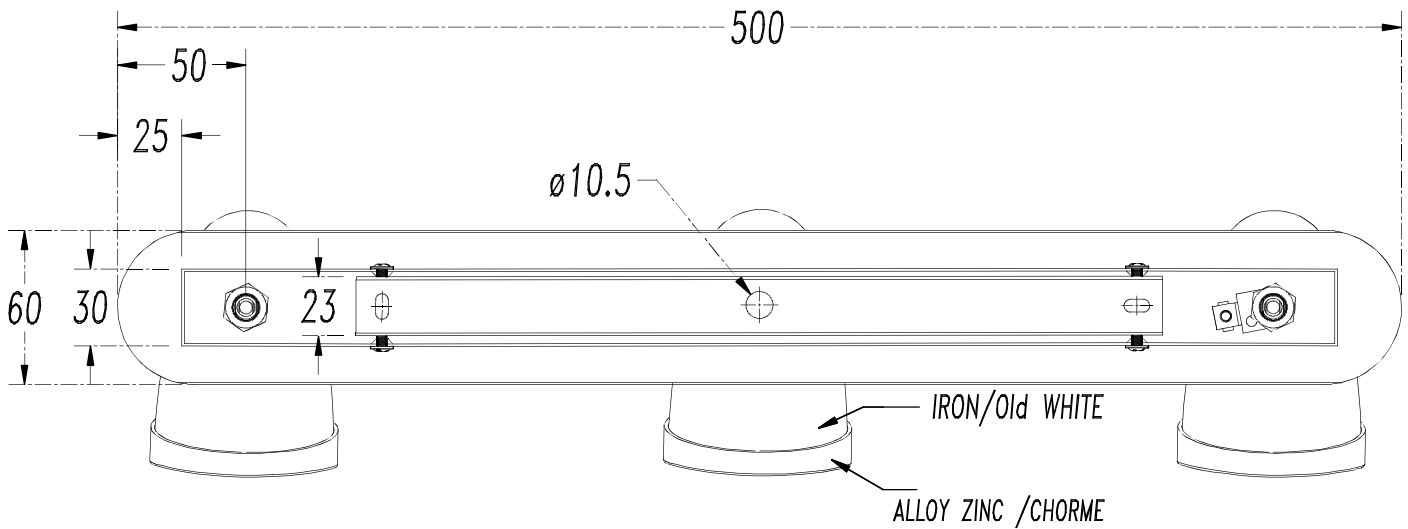
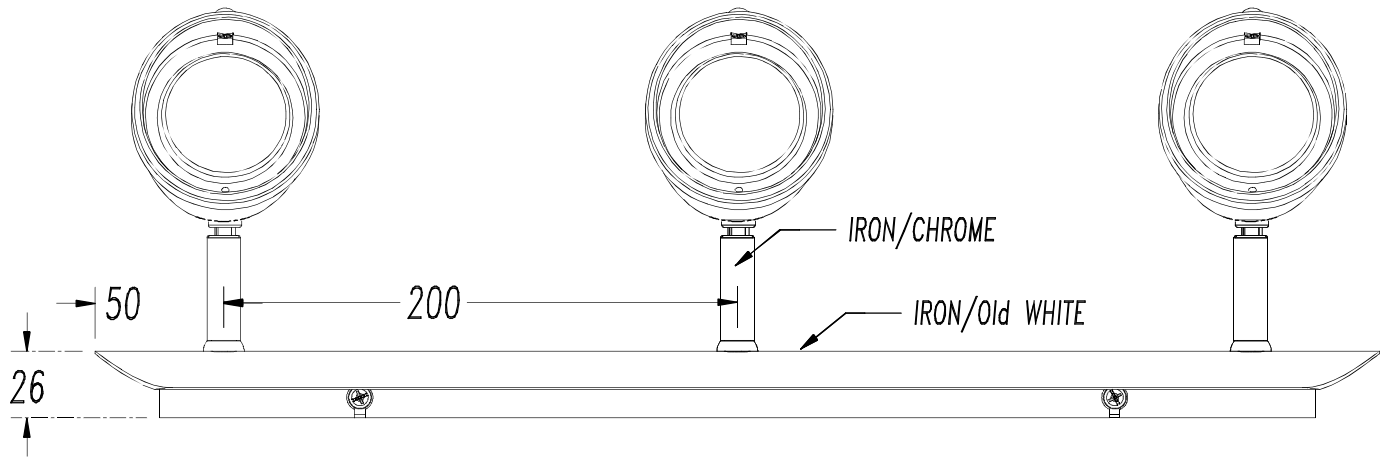
**Luminaire**

Warranty: 2 Years

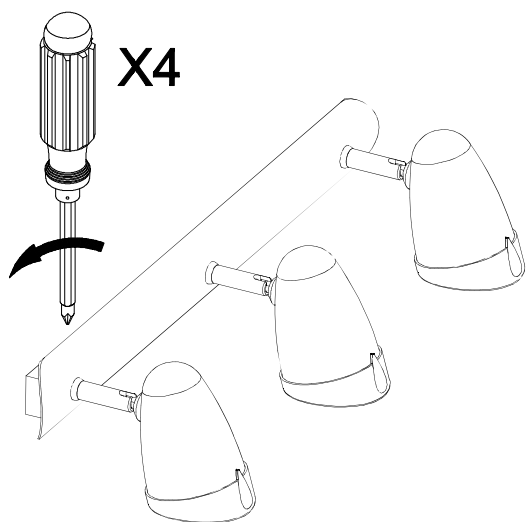
**Logistics**

Energy Efficiency: NO BULB  
 EAN Code: 8435111098103  
 Net Weight (Kg): 1.42  
 Weight in Kg (packaged): 1.87  
 Packing: 560 x 125 x 200  
 Masterbox: 6

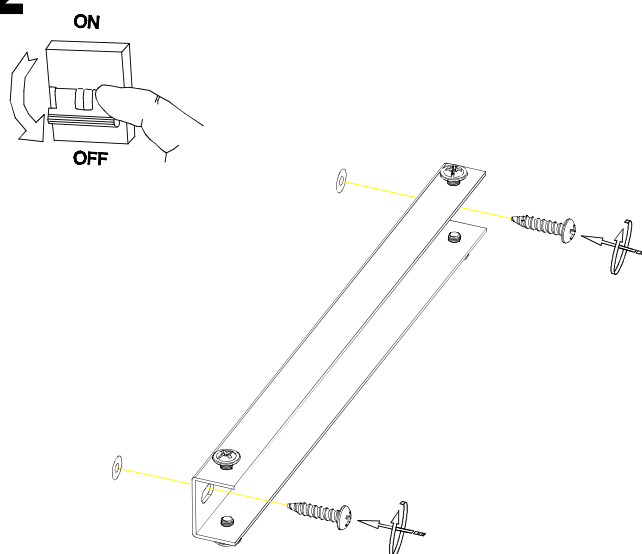
The photograph may not match the reference exactly. Please read the product description to identify the finish.



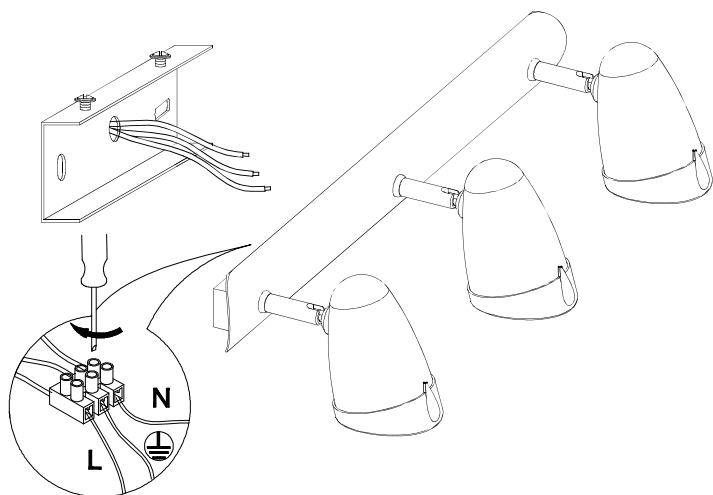
**1**



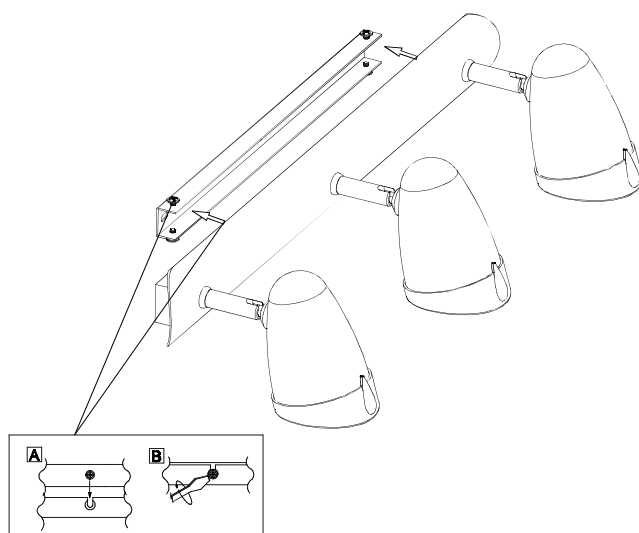
**2**



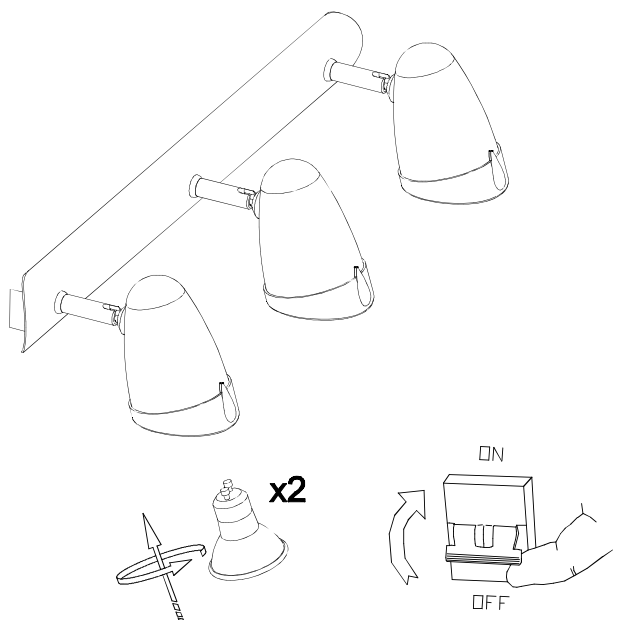
**3**



**4**



**5**



**6**

