

05-0070-S2-14



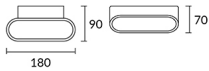
V0

Oval 180mm Wall fixture

**Description**

Wall fixture Oval 180mm LED 4.8W 3000K Satin aluminium 340lm

	Finish	Material
Structure	Satin aluminium	Aluminium

 IP20
  12
**TECHNICAL CHARACTERISTICS****Light source**

Light source: LED CITIZEN
 Light source power (W): 4.8W
 Luminaire total power (W): 6.1W
 Color temperature: LED warm-white
 3000K
 CRI: 80
 Photobiological risk: RG1
 Real Lumen: 340
 Qty Leds: 1
 Lm/Real W: 56
 Life Time: 50.000h L80B20
 Bin / Grup: 3000K
 MacAdam steps: 3
 UGR: 13.0

GEAR

Brand: HEP
 Gear included: Yes, electronic
 Voltage / Frequency:
 100-240V/50-60Hz
 Power Factor: 0.90
 Dimming protocol: ON-OFF

Luminaire

Warranty: 5 Years

Logistics

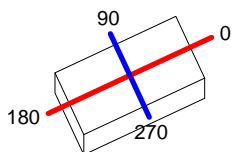
Energy Efficiency: LED A++
 EAN Code: 8435111090572
 Net Weight (Kg): 0.6
 Weight in Kg (packaged): 0.74
 Packing: 210 x 90 x 120
 Masterbox: 12

The photograph may not match the reference exactly. Please read the product description to identify the finish.

Luminaire		Measur.		Lamp		
Code	05-0070-S2-14	Code	05-0070-S2-14	Code	05-0070-14-14	
Name	Aplique led 4W	Name	Aplique led 4W	Number	1	
Line	Eulumdat	Date	15-02-2013	Position		
Efficiency	100.00%	Coordinate system	CG	Total Flux	339.55 lm	
Maximum value	128.24 cd	Position	C=90.00 G=110.00	Sym. on planes	270-90	
Rectangular Luminaire	Length	92 mm	Width	180 mm	Height	70 mm
Rectangular Luminous Area	Length	47 mm	Width	168 mm	Height	70 mm
Horizontal Luminous Area	0.007896 m2	Emitting area on Plane 180°	0.003290 m2			
Emitting area on Plane 0°	0.003290 m2	Emitting area on Plane 270°	0.011760 m2			
Emitting area on Plane 90°	0.011760 m2	Glare area at 76°	0.005102 m2			
Symmetry Type	Sym. on planes 270-90	Maximum Gamma Angle	180			
Measurement Distance	0.00	Measurement Flux	339.55 lm			
Operator	Asselum T2	Source voltage				
Temperature	25.00 °C	Source current				
Humidity	60.00 %	Photocell				
Notes						

Luminaire Lamps					
Line	Code	Name	Flux [lm]	Pow. [W]	Q.ty
Eulumdat	05-0070-14-14	05-0070-14-14 - 4.00 W	339.55	4.00	1
C.I.E.	30 64 87 38 100	D DIN 5040	D12		
F UTE	0.38 I + 0.62 T	B NBN	BZ 7 / 1 / BZ 6		

92mm x 180mm



C Halfplanes

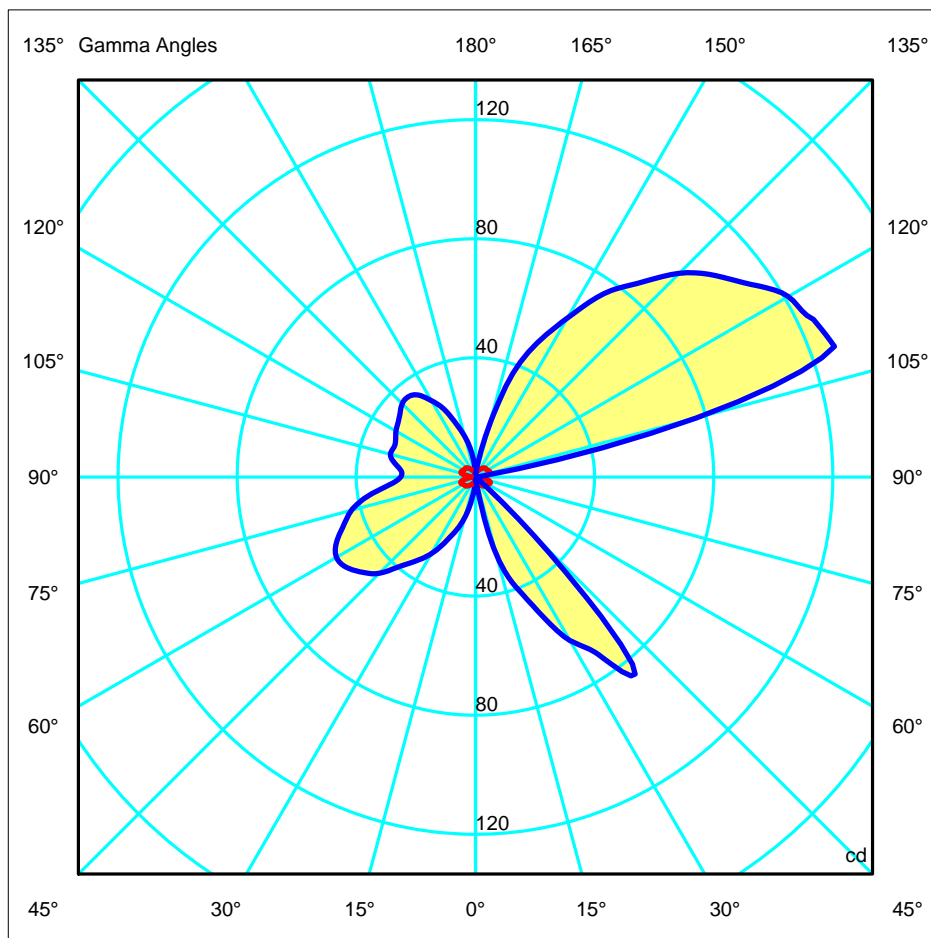
270.0 ———— 0.0

180.0 ———— 90.0

ULOR 62.15 %

DLOR 37.85 %

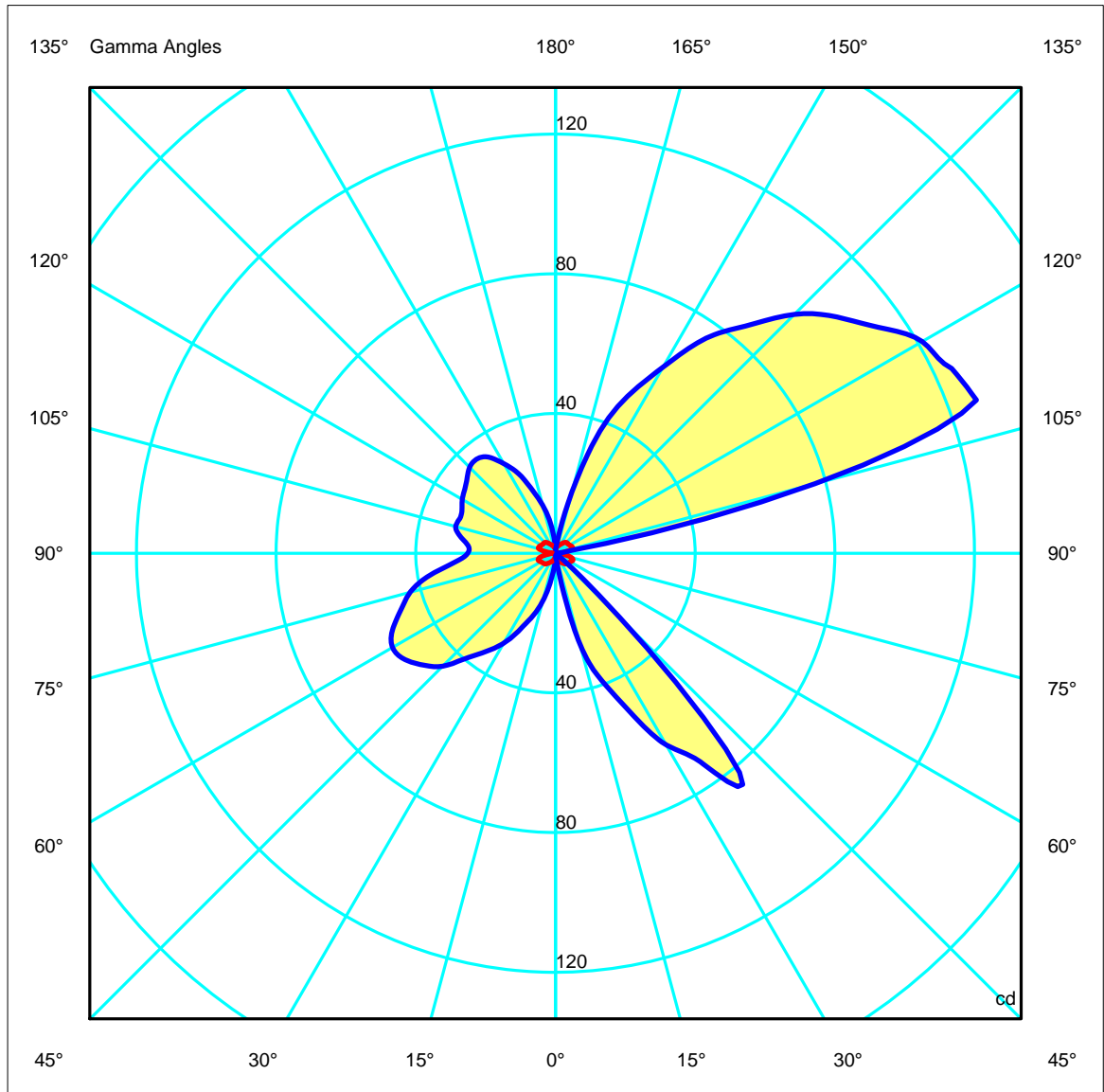
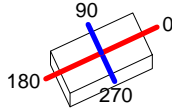
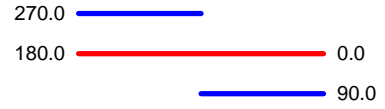
RN 62.15 %



Luminaire		Measur.		Lamp	
Code	05-0070-S2-14	Code	05-0070-S2-14	Code	05-0070-14-14
Name	Aplique led 4W	Name	Aplique led 4W	Number	1
Line	Eulumdat	Date	15-02-2013	Position	
Efficiency	100.00%	Coordinate system	CG	Total Flux	339.55 lm

92mm x 180mm

C Halfplanes



Luminaire		Measur.		Lamp	
Code	05-0070-S2-14	Code	05-0070-S2-14	Code	05-0070-14-14
Name	Aplique led 4W	Name	Aplique led 4W	Number	1
Line	Eulmdat	Date	15-02-2013	Position	

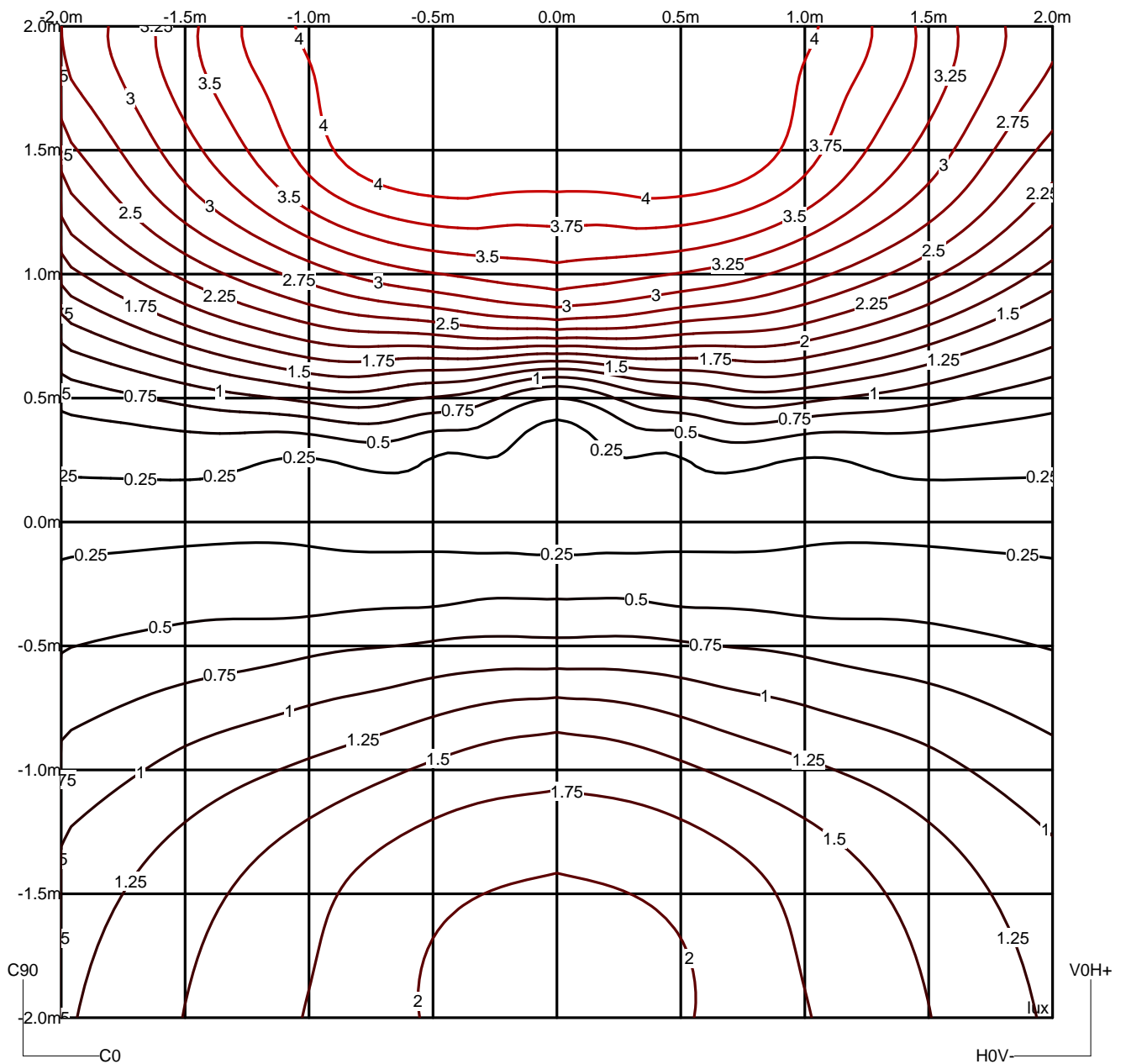
Efficiency	100.00%	Coordinate system	CG	Total Flux	339.55 lm
------------	---------	-------------------	----	------------	-----------

Could not find 90270 left beam angle•gamma0180=72

Luminaire		Measur.		Lamp	
Code	05-0070-S2-14	Code	05-0070-S2-14	Code	05-0070-14-14
Name	Aplique led 4W	Name	Aplique led 4W	Number	1
Line	Eulumdat	Date	15-02-2013	Position	
Efficiency	100.00%	Coordinate system	CG	Total Flux	339.55 lm

Isolux (Floor)

Luminaire position X=0.00m Y=0.00m Z=3.00m



Luminaire

Code 05-0070-S2-14
 Name Aplique led 4W
 Line Eulumdat

Measur.

Code 05-0070-S2-14
 Name Aplique led 4W
 Date 15-02-2013

Lamp

Code 05-0070-14-14
 Number 1
 Position

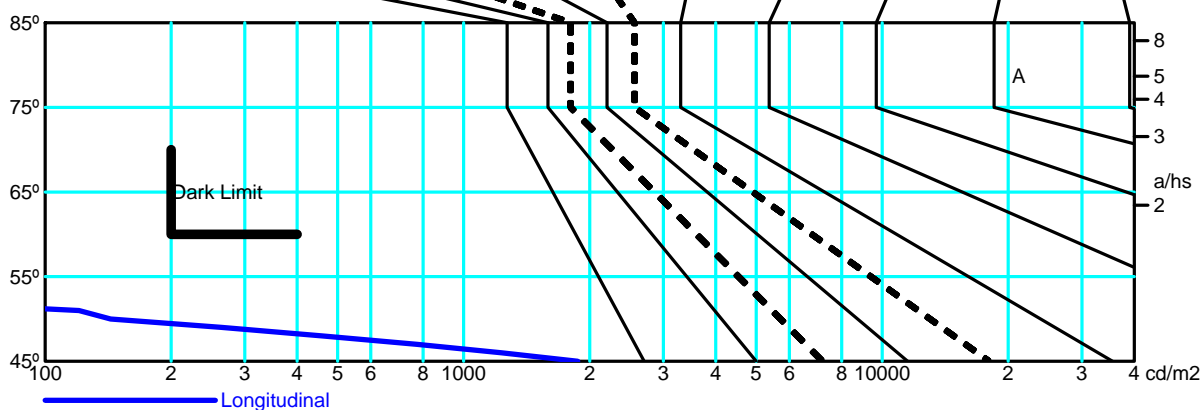
Efficiency 100.00%

Coordinate system CG

Total Flux 339.55 lm

		Average Luminance [cd/m ²]										
		0.0°	45°	50°	55°	60°	65°	70°	75°	80°	85°	
90.0°		1873	543	594	644	718	827	919	893	658	322	---
				143	30	35	29	29	33	34	36	---

Flush mounted or longitudinal view												
		Illumination (lx)										
A	A	2000	1000	750	500	<300						1.15
B	1		2000	1500	1000	750	500	<300				1.5
C					2000		1000	500	<300			1.85
D	2						2000	1000	500	<300		2.2
E	3							2000	1000	500	<300	2.55

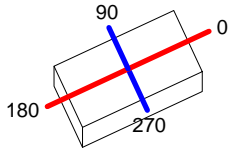


Flush mounted or transversal view												
		Illumination (lx)										
A	A	2000	1000	750	500	<300						1.15
B	1		2000	1500	1000	750	500	<300				1.5
C					2000		1000	500	<300			1.85
D	2						2000	1000	500	<300		2.2
E	3							2000	1000	500	<300	2.55

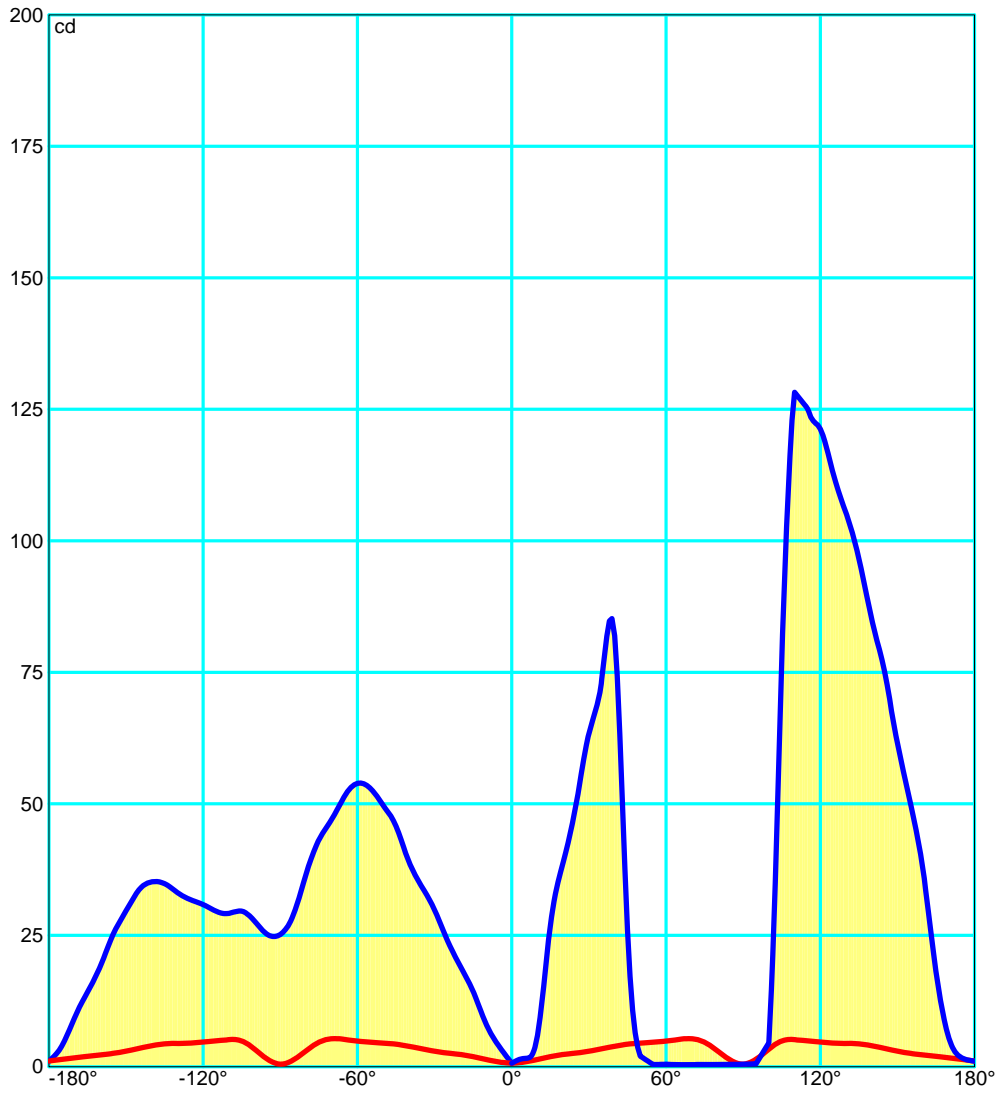


Luminaire		Measur.		Lamp	
Code	05-0070-S2-14	Code	05-0070-S2-14	Code	05-0070-14-14
Name	Aplique led 4W	Name	Aplique led 4W	Number	1
Line	Eulumdat	Date	15-02-2013	Position	
Efficiency	100.00%	Coordinate system	CG	Total Flux	339.55 lm

92mm x 180mm



C Halfplanes
 270.0 ————
 180.0 ———— 0.0
 ———— 90.0



Luminaire		Measur.		Lamp	
Code	05-0070-S2-14	Code	05-0070-S2-14	Code	05-0070-14-14
Name	Aplique led 4W	Name	Aplique led 4W	Number	1
Line	Eulumdat	Date	15-02-2013	Position	
Efficiency	100.00%	Coordinate system	CG	Total Flux	339.55 lm

UGR
S = 0.250

Reflectancies										
Ceiling/Cavity	0.7	0.7	0.5	0.5	0.3	0.7	0.7	0.5	0.5	0.3
Walls	0.5	0.3	0.5	0.3	0.3	0.5	0.3	0.5	0.3	0.3
WorkingPlane	0.2	0.2	0.2	0.2	0.2	0.2	0.2	0.2	0.2	0.2
RoomDimensions	ViewedCrosswise					ViewedEndwise				
x=2H y=2H	10.1	10.9	11.1	11.9	18.1	14.9	15.7	15.9	16.8	18.1
x=2H y=3H	11.0	11.7	12.0	12.8	20.5	17.4	18.1	18.5	19.2	20.5
x=2H y=4H	11.2	11.9	12.3	12.9	21.6	18.5	19.2	19.5	20.2	21.6
x=2H y=6H	11.4	12.0	12.4	13.0	22.5	19.4	20.0	20.5	21.1	22.5
x=2H y=8H	11.4	11.9	12.4	13.0	22.8	19.8	20.4	20.9	21.4	22.8
x=2H y=12H	11.3	11.9	12.4	12.9	23.1	20.1	20.7	21.2	21.7	23.1
x=4H y=2H	11.4	12.1	12.5	13.1	18.6	15.5	16.2	16.6	17.2	18.6
x=4H y=3H	12.7	13.2	13.7	14.3	21.3	18.2	18.8	19.3	19.8	21.3
x=4H y=4H	13.1	13.6	14.2	14.7	22.4	19.4	19.9	20.5	21.0	22.4
x=4H y=6H	13.3	13.8	14.4	14.8	23.5	20.5	21.0	21.6	22.0	23.5
x=4H y=8H	13.4	13.7	14.4	14.8	23.9	21.0	21.4	22.1	22.5	23.9
x=4H y=12H	13.3	13.7	14.4	14.8	24.3	21.3	21.7	22.5	22.8	24.3
x=8H y=4H	14.2	14.6	15.3	15.7	22.6	19.7	20.1	20.8	21.2	22.6
x=8H y=6H	14.7	15.0	15.8	16.1	23.9	21.0	21.3	22.1	22.4	23.9
x=8H y=8H	14.8	15.1	16.0	16.2	24.5	21.6	21.8	22.7	22.9	24.5
x=8H y=12H	14.9	15.1	16.0	16.3	25.0	22.1	22.3	23.2	23.5	25.0
x=12H y=4H	14.4	14.7	15.5	15.8	22.6	19.6	20.0	20.8	21.1	22.6
x=12H y=6H	15.1	15.3	16.2	16.4	23.9	21.0	21.3	22.1	22.4	23.9
x=12H y=8H	15.3	15.5	16.4	16.7	24.5	21.6	21.9	22.8	23.0	24.5

Luminaire	Measur.	Lamp
Code 05-0070-S2-14	Code 05-0070-S2-14	Code 05-0070-14-14
Name Aplique led 4W	Name Aplique led 4W	Number 1
Line Eulumdat	Date 15-02-2013	Position

Efficiency 100.00%	Coordinate system CG	Total Flux 339.55 lm
--------------------	----------------------	----------------------

Total Flux=339.55 Luminaire Flux=339.55

	0.60	0.80	1.00	1.25	1.50	2.00	2.50	3.00	4.00	5.00	10.00	20.00
RI	0.17	0.26	0.33	0.40	0.46	0.55	0.61	0.66	0.72	0.76	0.86	0.92
DRR	9	8	8	8	8	7	7	7	7	7	7	7
RC												

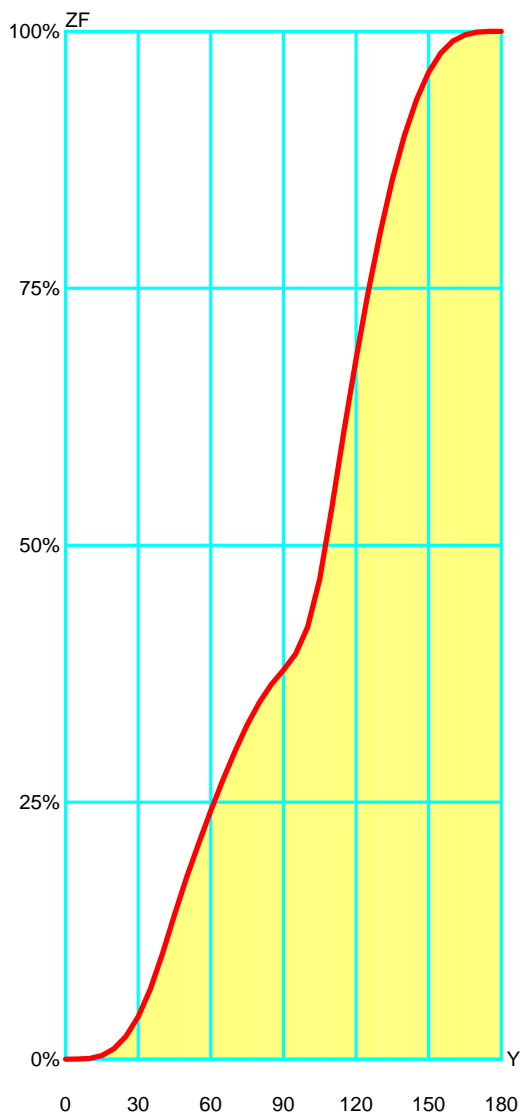
Zonal Flux per 1000 Lumen

	10	20	30	40	50	60	70	80	90	100	110	120	130	140	150	160	170	180
Y°	1	10	41	103	177	242	300	347	378	420	536	681	804	899	960	990	999	1000
ZF(Y)																		

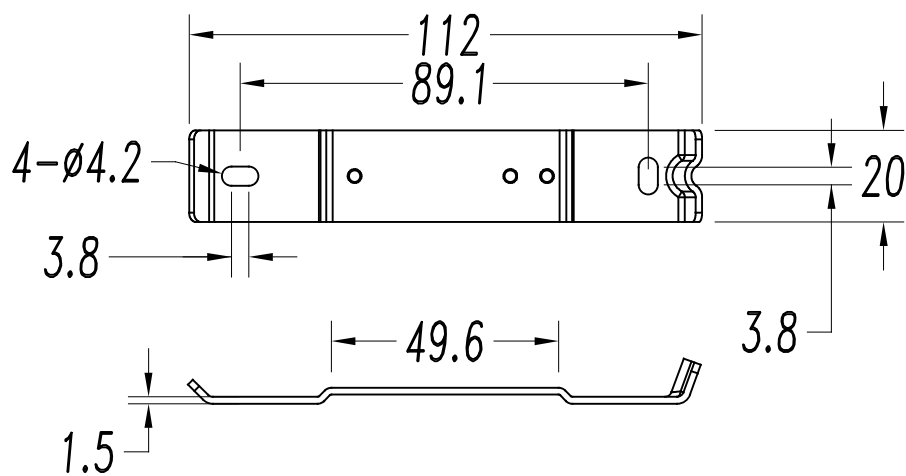
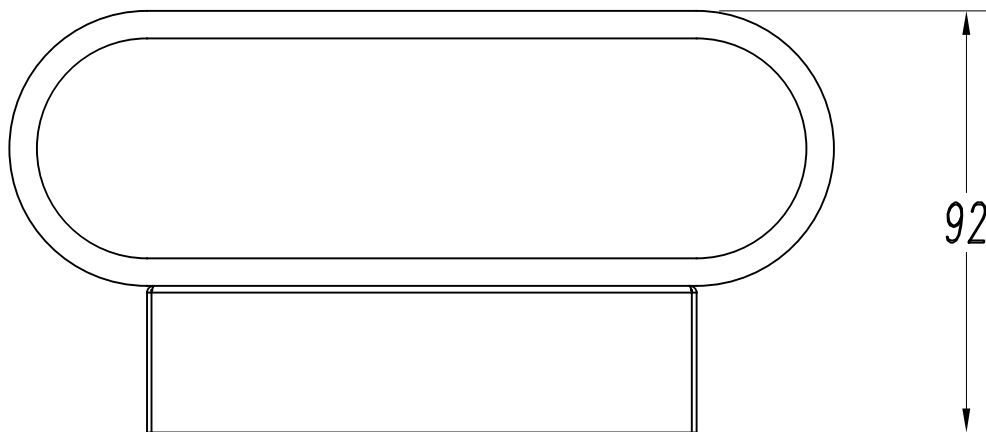
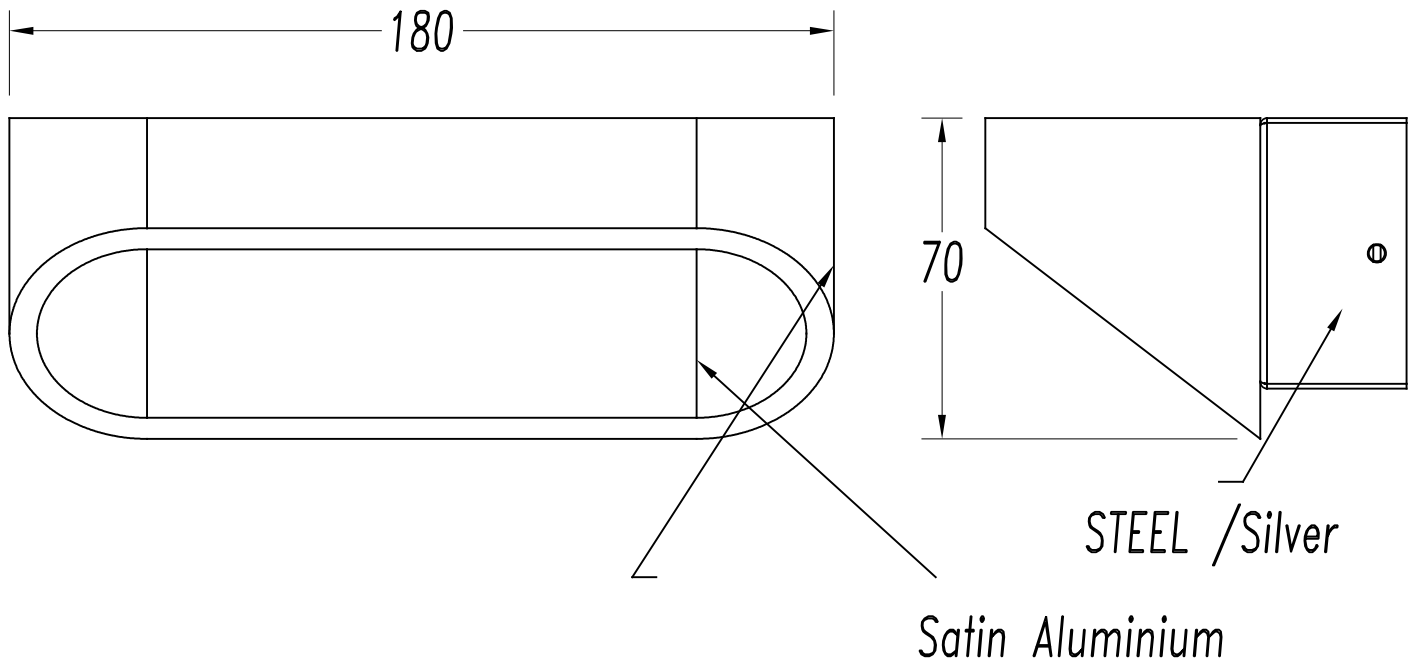
CIE Flux Codes

30 64 87 38 100

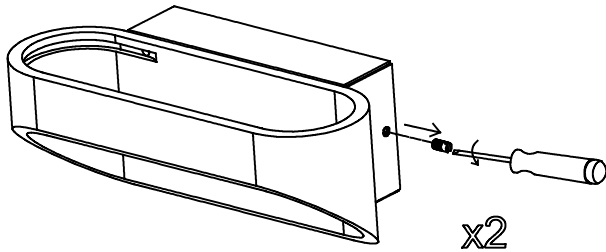
C.I.E.	9/8/8/8/7/7/7/7/7/7/7	LOR	100.00000 %
D DIN 5040	D12	ULOR	62.15376 %
F UTE	0.38 I + 0.62 T	DLOR	37.84624 %
B NBN	BZ 7 / 1 / BZ 6	UFF	62.15376 %
RN	62.15376 %	DFF	37.84624 %
BLF	1.0	FFR	164.22704 %



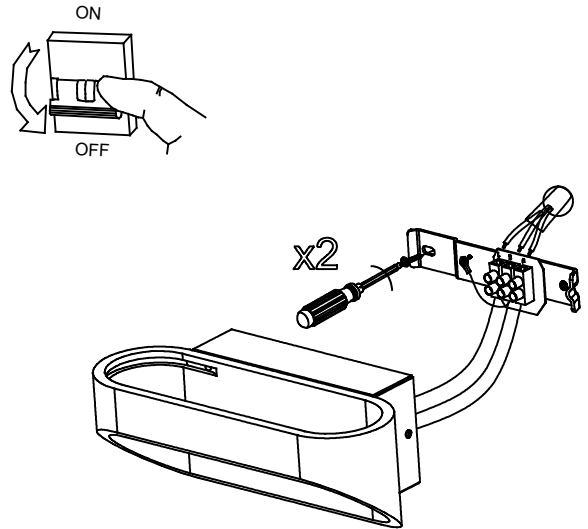
Zonal Flux				
Gamma °	Flux	Sum lm	Flux [%]	Sum [%]
0°	0.00	0.00	0.00%	0.00%
5°	0.10	0.10	0.01%	0.01%
10°	0.71	0.81	0.07%	0.08%
15°	2.74	3.55	0.27%	0.36%
20°	6.77	10.32	0.68%	1.03%
25°	12.15	22.47	1.22%	2.25%
30°	18.91	41.39	1.89%	4.14%
35°	26.58	67.97	2.66%	6.80%
40°	34.55	102.51	3.45%	10.25%
45°	38.25	140.76	3.82%	14.08%
50°	35.95	176.71	3.59%	17.67%
55°	33.30	210.01	3.33%	21.00%
60°	31.72	241.72	3.17%	24.17%
65°	30.03	271.75	3.00%	27.18%
70°	28.00	299.76	2.80%	29.98%
75°	25.34	325.10	2.53%	32.51%
80°	21.76	346.86	2.18%	34.69%
85°	17.59	364.45	1.76%	36.45%
90°	14.01	378.46	1.40%	37.85%
95°	15.82	394.28	1.58%	39.43%
100°	26.04	420.32	2.60%	42.03%
105°	46.96	467.28	4.70%	46.73%
110°	68.74	536.02	6.87%	53.60%
115°	74.95	610.97	7.49%	61.10%
120°	70.40	681.36	7.04%	68.14%
125°	64.58	745.95	6.46%	74.59%
130°	58.34	804.29	5.83%	80.43%
135°	51.24	855.53	5.12%	85.55%
140°	43.26	898.78	4.33%	89.88%
145°	34.87	933.65	3.49%	93.37%
150°	26.46	960.11	2.65%	96.01%
155°	18.59	978.70	1.86%	97.87%
160°	11.69	990.39	1.17%	99.04%
165°	6.16	996.55	0.62%	99.66%
170°	2.55	999.10	0.26%	99.91%
175°	0.77	999.88	0.08%	99.99%
180°	0.12	1000.00	0.01%	100.00%



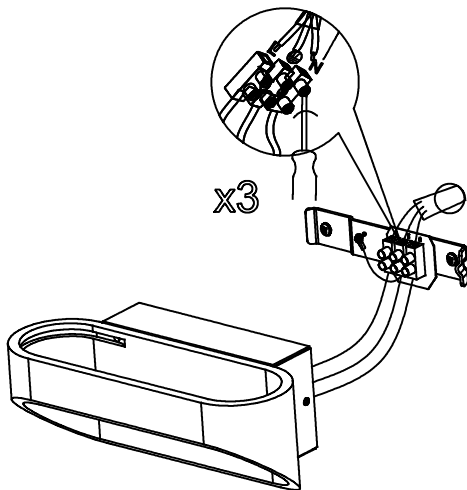
1



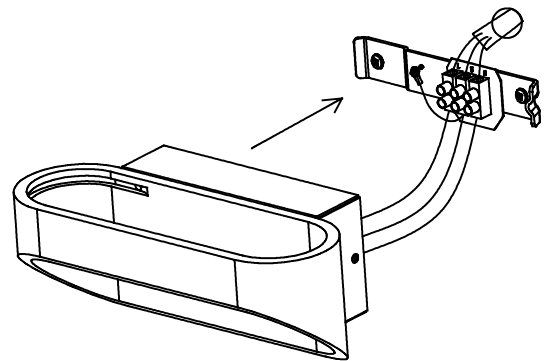
2



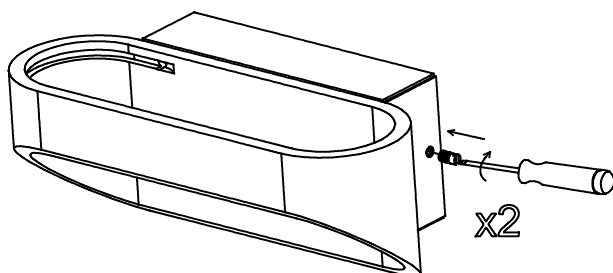
3



4



5



6

