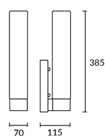


## DRESDE EVO

### 05-0027-21-F9

Wall fixture DRESDE EVO 2G11 24W Chrome 470lm



#### TECHNICAL FEATURES

---

IP44



**Power (W) :** Max. power 24W

**Total power consumption of light (W) :** 26.5W

**Raw lumens :** 470

**Raw lm/W :** 18

**Structure material :** Steel

**Structure finish :** Chrome

**Diffuser material :** Glass

**Diffuser finish :** Opal

**Recommended light bulb :** 2G11

**Equipment included :** Yes, electronic

**Voltage / frequency :** 220-240V/50-60Hz

**Warranty :** 5 Years

**Max. temperature :** 25°C

**Energy efficiency :** Light bulb not included

#### LUMINOTECHNIC FEATURES

---

**Lampholder:** 0 x 2G11

#### LOGISTICS

---

**Net weight (kg):** 1.17

**Packaged weight (kg):** 1.69

**Packaging:** 340mm x 150mm x 435mm

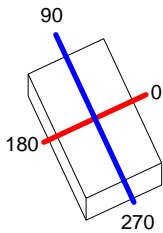


4 Un

<b>Luminaire</b>		<b>Measur.</b>		<b>Lamp</b>	
Code	05-0027	Code	05-0027	Code	FLUORESCENT
Name	WALL LIGHT	Name	WALL LIGHT	Number	1
Line	Eulumdat	Date	15-11-2013	Position	
Efficiency	26.12%	Coordinate system	CG	Total Flux	1800.00 lm
Maximum value	71.19 cd	Position	C=270.00 G=38.00	Asymmetrical	
Rectangular Luminaire	Length	115 mm	Width	70 mm	Height
Rectangular Luminous Area	Length	115 mm	Width	70 mm	Height
Horizontal Luminous Area	0.008050 m2	Emitting area on Plane 180°		0.044275 m2	
Emitting area on Plane 0°	0.044275 m2	Emitting area on Plane 270°		0.026950 m2	
Emitting area on Plane 90°	0.026950 m2	Glare area at 76°		0.044907 m2	
Symmetry Type	Asymmetrical	Maximum Gamma Angle		180	
Measurement Distance	0.00	Measurement Flux		1800.00 lm	
Operator		Source voltage			
Temperature	25.00 °C	Source current			
Humidity	60.00 %	Photocell			
Notes					

Luminaire Lamps					
Line	Code	Name	Flux [lm]	Pow. [W]	Q.ty
Eulumdat	FLUORESCENT	FLUORESCENT - 24.00 W	1800.00	24.00	1
C.I.E.	29 56 79 67 26	D DIN 5040			
F UTE	0.18 J + 0.09 T	B NBN		B11	
				BZ 7	

115mm x 70mm



**C Halfplanes**

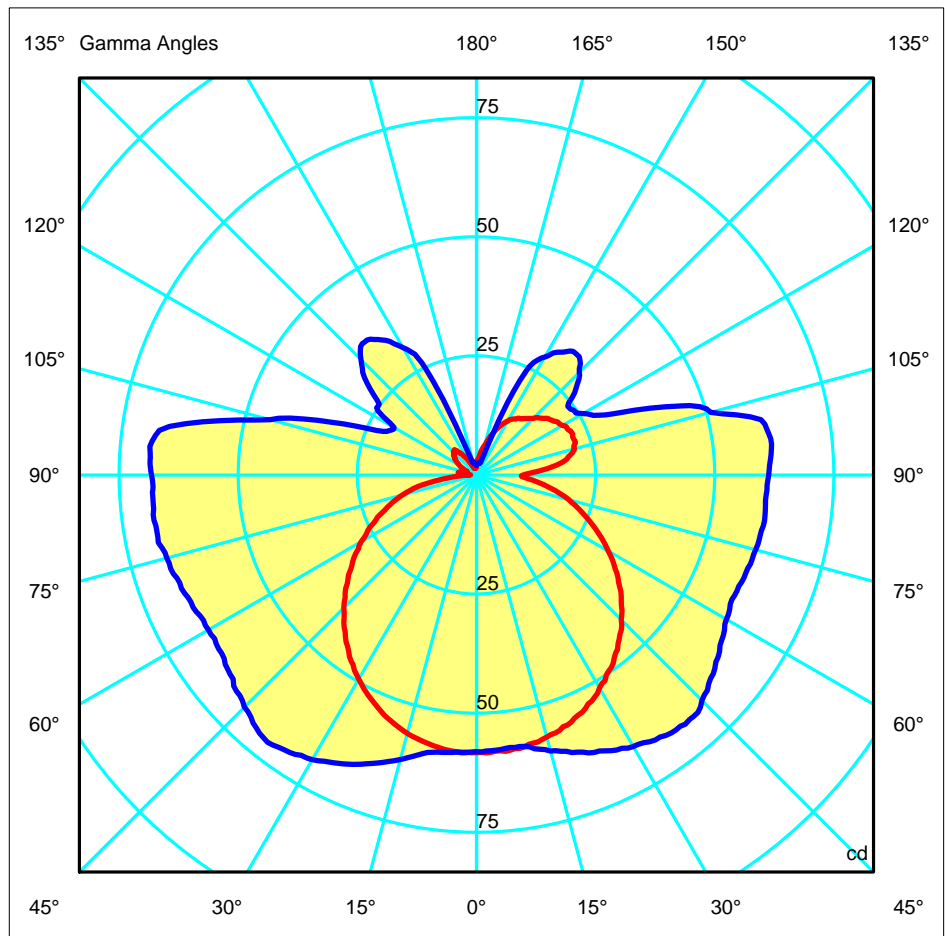
180.0 — 0.0

270.0 — 90.0

ULOR 8.53 %

DLOR 17.58 %

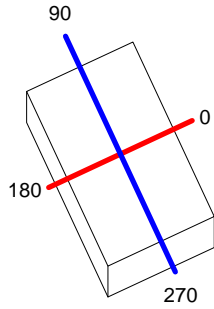
RN 32.68 %



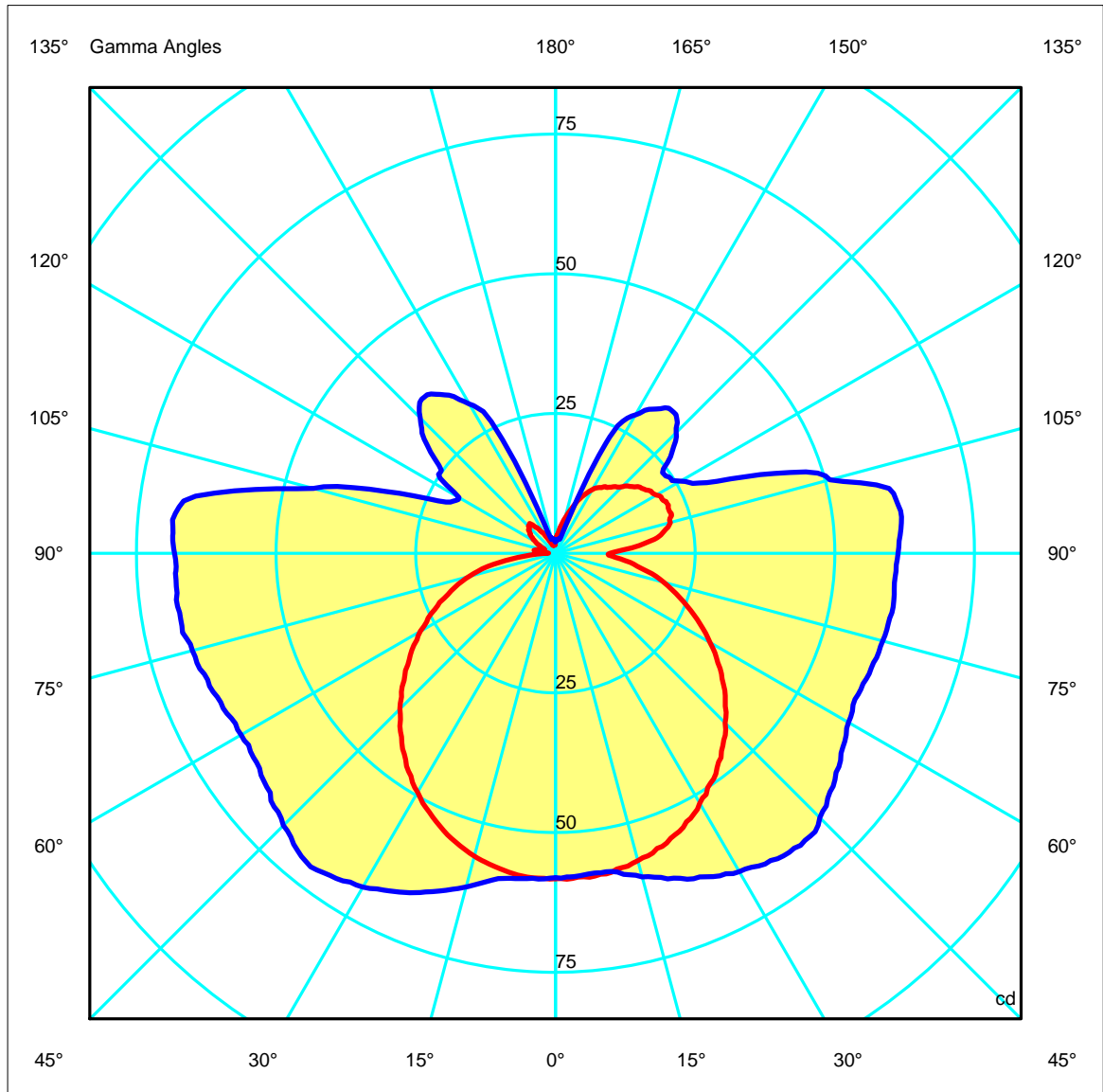
<b>Luminaire</b>		<b>Measur.</b>		<b>Lamp</b>	
Code	05-0027	Code	05-0027	Code	FLUORESCENT
Name	WALL LIGHT	Name	WALL LIGHT	Number	1
Line	Eulumdat	Date	15-11-2013	Position	
Efficiency	26.12%	Coordinate system	CG	Total Flux	1800.00 lm

115mm x 70mm

C Halfplanes



180.0 ————— 0.0  
 270.0 ————— 90.0



---

<b>Luminaire</b>		<b>Measurem.</b>		<b>Lamp</b>	
Code	05-0027	Code	05-0027	Code	FLUORESCENT
Name	WALL LIGHT	Name	WALL LIGHT	Number	1
Line	Eulmdat	Date	15-11-2013	Position	

---

Efficiency	26.12%	Coordinate system	CG	Total Flux	1800.00 lm
------------	--------	-------------------	----	------------	------------

---

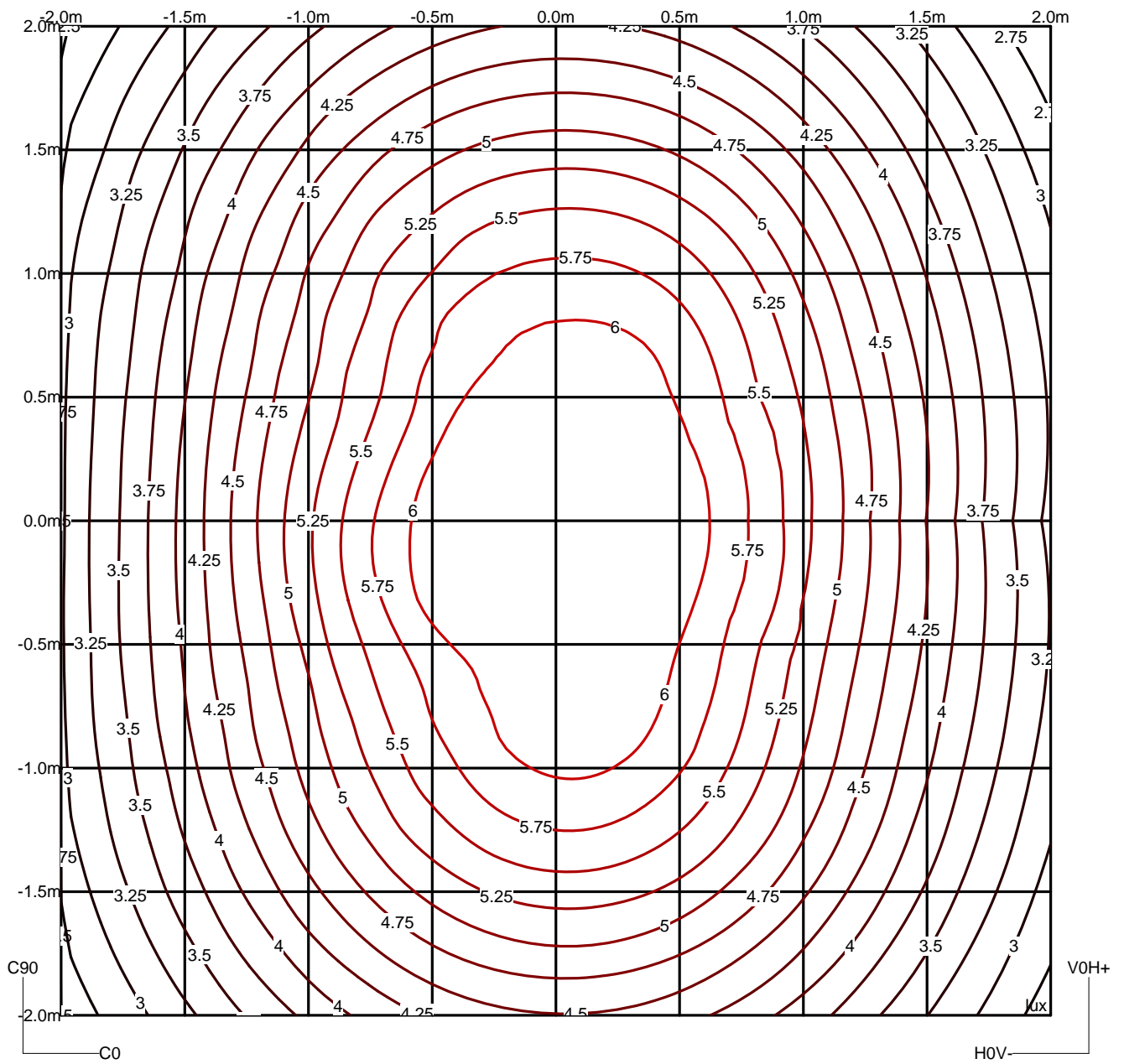
Could not find 90270 right beam angle•gamma0180=2

<b>Luminaire</b> Code 05-0027 Name WALL LIGHT Line Eulumdat	<b>Measuram.</b> Code 05-0027 Name WALL LIGHT Date 15-11-2013	<b>Lamp</b> Code FLUORESCENT Number 1 Position
--	--	---

Efficiency 26.12%	Coordinate system CG	Total Flux 1800.00 lm
-------------------	----------------------	-----------------------

Isolux (Floor)

Luminaire position X=0.00m Y=0.00m Z=3.00m



**Luminaire**

Code 05-0027  
 Name WALL LIGHT  
 Line Eulumdat

**Measur.**

Code 05-0027  
 Name WALL LIGHT  
 Date 15-11-2013

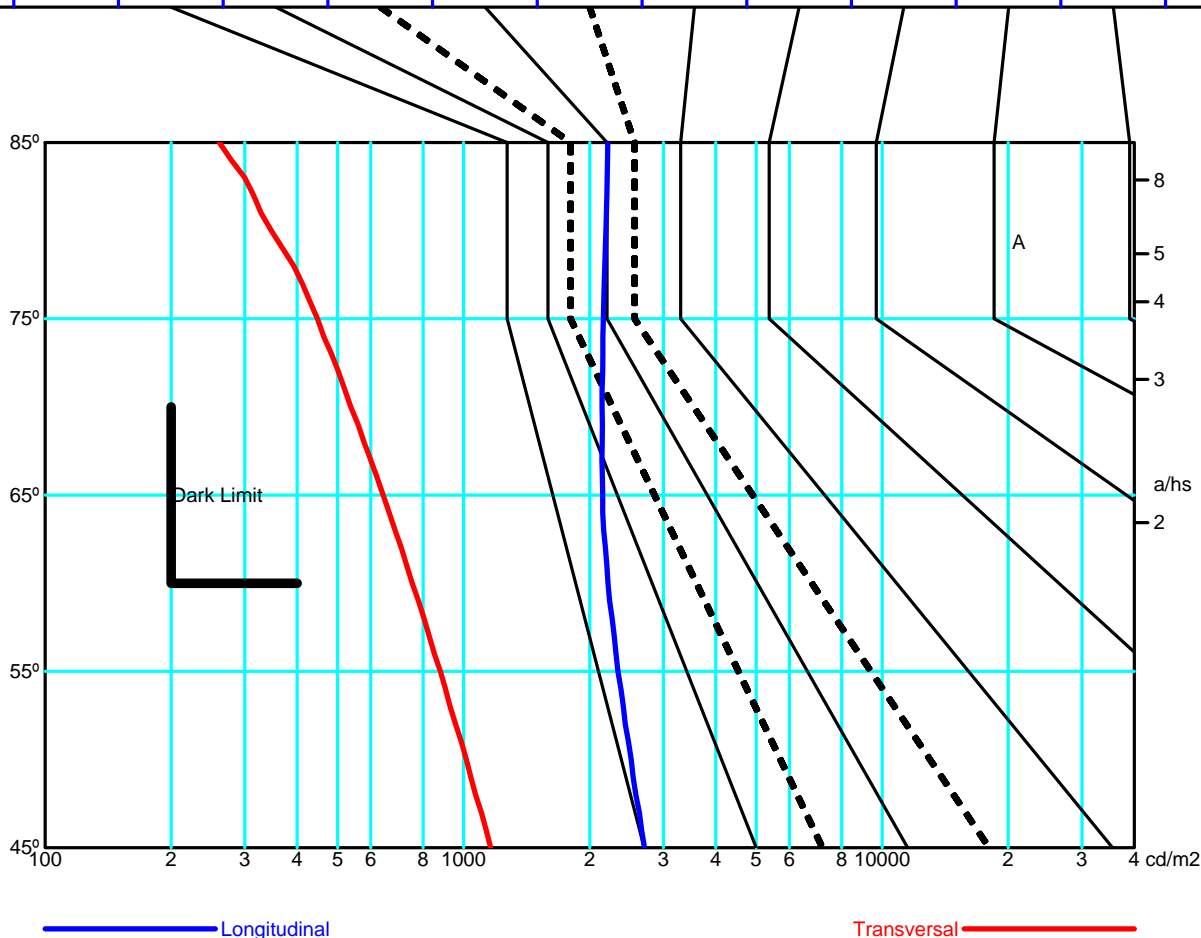
**Lamp**

Code FLUORESCENT  
 Number 1  
 Position

Efficiency 26.12%      Coordinate system CG      Total Flux 1800.00 lm

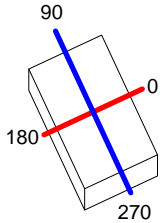
		Average Luminance [cd/m <sup>2</sup> ]										
		0.0°	45°	50°	55°	60°	65°	70°	75°	80°	85°	
90.0°		1161	1015	880	754	643	537	447	347	261	---	
		2703	2513	2337	2213	2148	2142	2156	2188	2210	---	

Flush mounted or longitudinal view												
		Illumination(lx)										
A	A	2000	1000	750	500		<300				1.15	
B	1		2000	1500	1000	750	500	<300			1.5	
C					2000		1000	500	<300		1.85	
D	2						2000	1000	500	<300	2.2	
E	3							2000	1000	500	<300	2.55



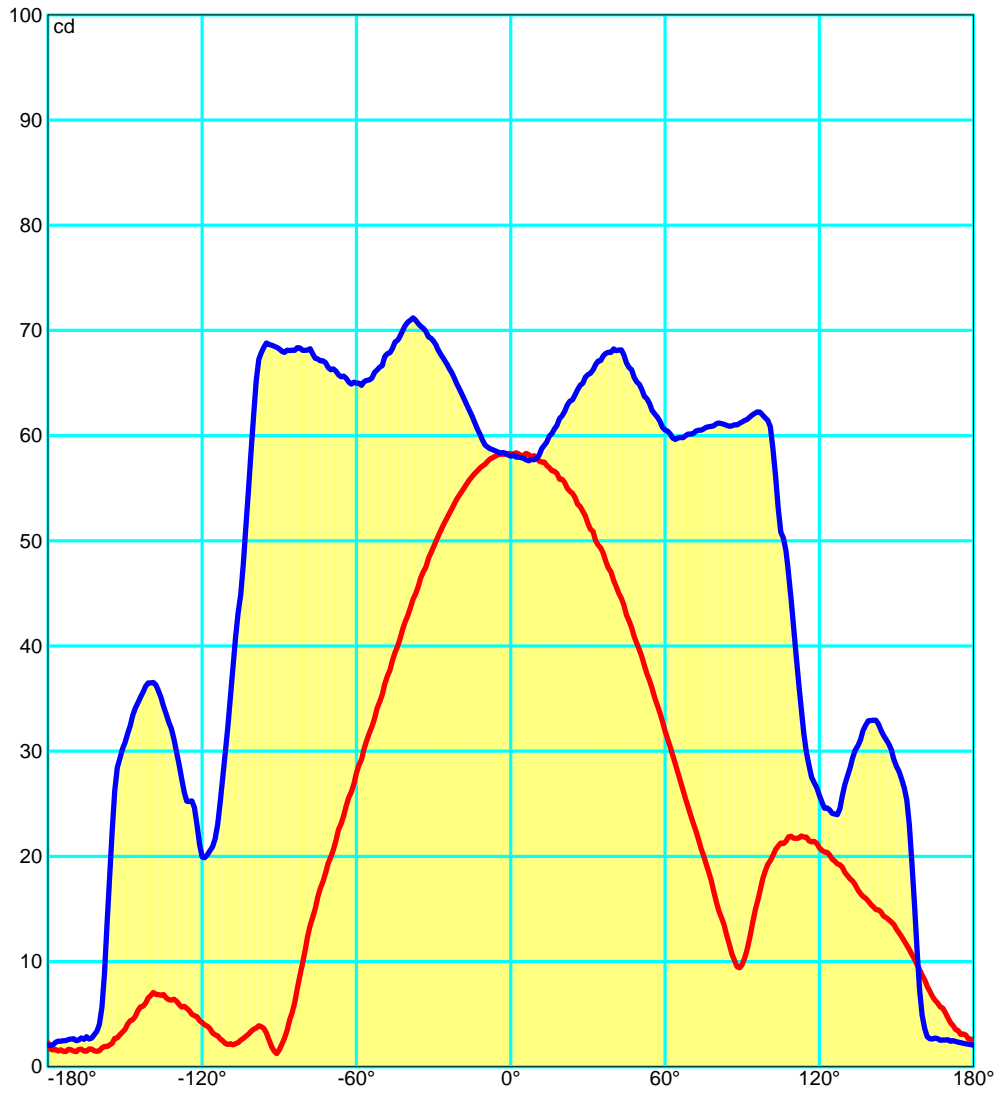
<b>Luminaire</b>		<b>Measur.</b>		<b>Lamp</b>	
Code	05-0027	Code	05-0027	Code	FLUORESCENT
Name	WALL LIGHT	Name	WALL LIGHT	Number	1
Line	Eulumdat	Date	15-11-2013	Position	
Efficiency	26.12%	Coordinate system	CG	Total Flux	1800.00 lm

115mm x 70mm



C Halfplanes

180.0 ——— 0.0  
270.0 ——— 90.0



<b>Luminaire</b>		<b>Measur.</b>		<b>Lamp</b>	
Code	05-0027	Code	05-0027	Code	FLUORESCENT
Name	WALL LIGHT	Name	WALL LIGHT	Number	1
Line	Eulumdat	Date	15-11-2013	Position	
Efficiency	26.12%	Coordinate system	CG	Total Flux	1800.00 lm

**UGR**  
S = 0.250

Reflectancies										
Ceiling/Cavity	0.7	0.7	0.5	0.5	0.3	0.7	0.7	0.5	0.5	0.3
Walls	0.5	0.3	0.5	0.3	0.3	0.5	0.3	0.5	0.3	0.3
WorkingPlane	0.2	0.2	0.2	0.2	0.2	0.2	0.2	0.2	0.2	0.2
RoomDimensions	ViewedCrosswise					ViewedEndwise				
x=2H y=2H	8.8	9.9	9.5	10.6	15.6	13.0	14.0	13.7	14.8	15.6
x=2H y=3H	9.9	10.8	10.6	11.6	18.3	15.6	16.6	16.4	17.4	18.3
x=2H y=4H	10.2	11.2	11.0	12.0	19.7	17.0	18.0	17.8	18.8	19.7
x=2H y=6H	10.5	11.4	11.3	12.2	21.2	18.5	19.4	19.3	20.2	21.2
x=2H y=8H	10.6	11.4	11.4	12.2	21.9	19.2	20.1	20.0	20.9	21.9
x=2H y=12H	10.5	11.4	11.4	12.2	22.6	19.9	20.8	20.8	21.6	22.6
x=4H y=2H	10.2	11.1	10.9	11.9	16.0	13.3	14.2	14.0	15.0	16.0
x=4H y=3H	11.5	12.3	12.3	13.2	18.8	16.1	17.0	17.0	17.8	18.8
x=4H y=4H	12.0	12.8	12.9	13.6	20.3	17.7	18.5	18.6	19.3	20.3
x=4H y=6H	12.4	13.1	13.3	14.0	22.0	19.4	20.1	20.3	20.9	22.0
x=4H y=8H	12.6	13.2	13.4	14.0	22.8	20.3	20.9	21.2	21.8	22.8
x=4H y=12H	12.6	13.2	13.4	14.0	23.6	21.2	21.7	22.0	22.6	23.6
x=8H y=4H	13.3	13.9	14.1	14.7	20.5	18.0	18.6	18.8	19.4	20.5
x=8H y=6H	14.0	14.5	14.9	15.4	22.4	19.8	20.4	20.7	21.2	22.4
x=8H y=8H	14.2	14.7	15.1	15.6	23.3	20.9	21.3	21.7	22.2	23.3
x=8H y=12H	14.4	14.8	15.3	15.7	24.3	21.9	22.3	22.8	23.2	24.3
x=12H y=4H	13.6	14.2	14.5	15.1	20.4	17.9	18.5	18.8	19.4	20.4
x=12H y=6H	14.5	15.0	15.4	15.9	22.3	19.9	20.4	20.8	21.3	22.3
x=12H y=8H	14.9	15.3	15.8	16.2	23.4	21.0	21.4	21.9	22.3	23.4



<b>Luminaire</b>	<b>Measur.</b>	<b>Lamp</b>
Code 05-0027	Code 05-0027	Code FLUORESCENT
Name WALL LIGHT	Name WALL LIGHT	Number 1
Line Eulumdat	Date 15-11-2013	Position

Efficiency 26.12%	Coordinate system CG	Total Flux 1800.00 lm
-------------------	----------------------	-----------------------

Total Flux=1800.00 Luminaire Flux=470.13

	0.60	0.80	1.00	1.25	1.50	2.00	2.50	3.00	4.00	5.00	10.00	20.00
RI	0.18	0.25	0.31	0.37	0.42	0.50	0.56	0.61	0.67	0.71	0.82	0.89
DRR	8	8	8	8	8	8	8	8	8	8	8	8
RC												

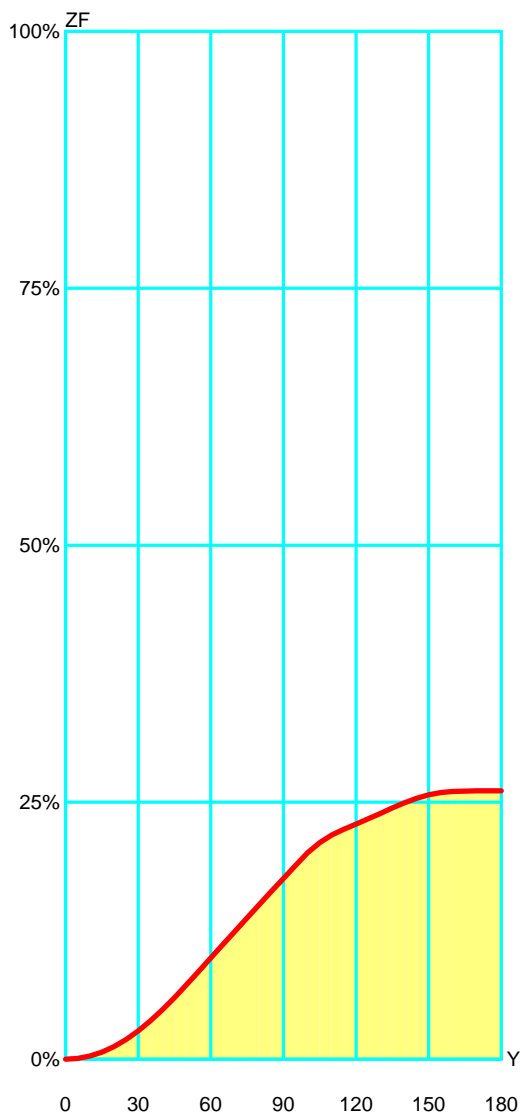
Zonal Flux per 1000 Lumen

	10	20	30	40	50	60	70	80	90	100	110	120	130	140	150	160	170	180
Y°	3	12	28	48	73	99	125	150	176	201	218	229	239	249	257	260	261	261
ZF(Y)																		

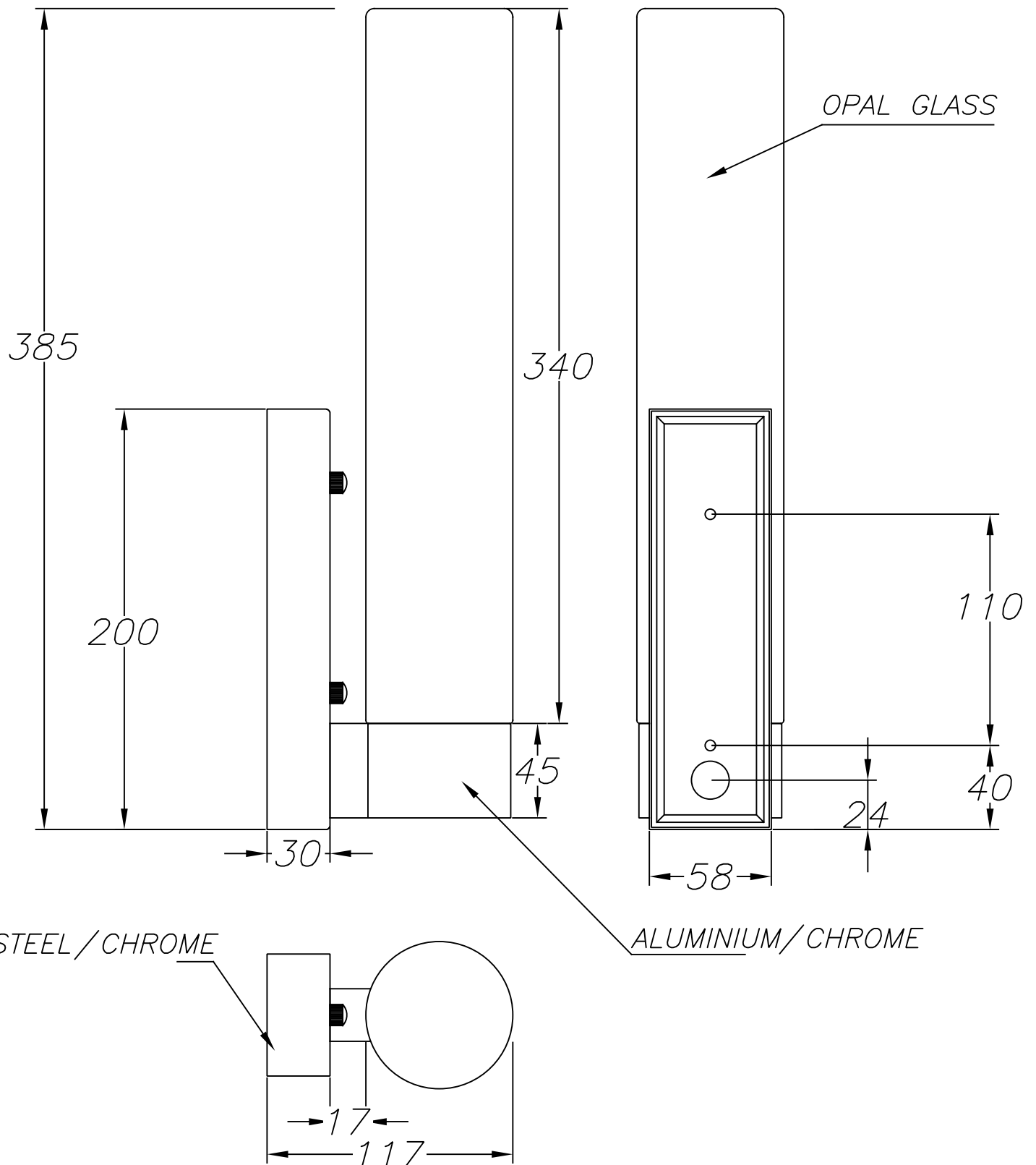
CIE Flux Codes

29 56 79 67 26

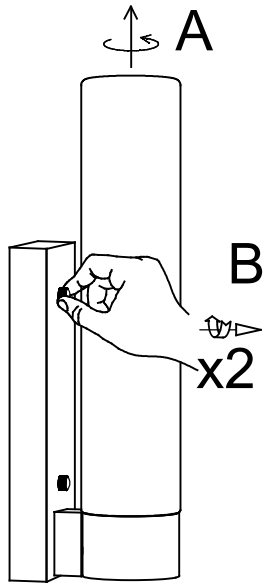
C.I.E.	8	LOR	26.11836 %
D DIN 5040	B11	ULOR	8.53441 %
F UTE	0.18 J + 0.09 T	DLOR	17.58395 %
B NBN	BZ 7	UFF	32.67591 %
RN	32.67591 %	DFF	67.32409 %
BLF	1.0	FFR	48.53523 %



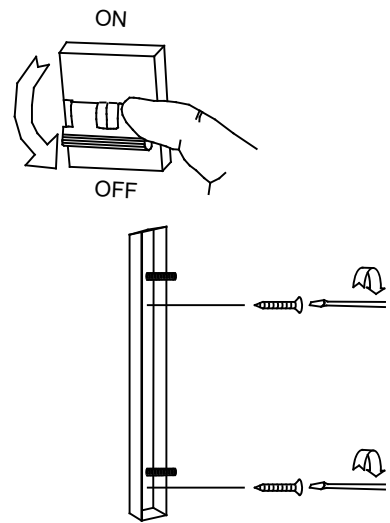
Zonal Flux				
Gamma °	Flux	Sum lm	Flux [%]	Sum [%]
0°	0.00	0.00	0.00%	0.00%
5°	0.77	0.77	0.30%	0.30%
10°	2.30	3.08	0.88%	1.18%
15°	3.83	6.91	1.47%	2.64%
20°	5.37	12.27	2.06%	4.70%
25°	6.88	19.16	2.64%	7.33%
30°	8.35	27.50	3.20%	10.53%
35°	9.70	37.20	3.71%	14.24%
40°	10.92	48.12	4.18%	18.42%
45°	11.90	60.02	4.56%	22.98%
50°	12.54	72.56	4.80%	27.78%
55°	12.90	85.46	4.94%	32.72%
60°	13.07	98.53	5.01%	37.72%
65°	13.07	111.60	5.00%	42.73%
70°	13.00	124.59	4.98%	47.70%
75°	12.95	137.54	4.96%	52.66%
80°	12.91	150.45	4.94%	57.60%
85°	12.78	163.23	4.89%	62.50%
90°	12.61	175.84	4.83%	67.32%
95°	12.73	188.57	4.88%	72.20%
100°	12.27	200.84	4.70%	76.90%
105°	9.90	210.74	3.79%	80.69%
110°	7.48	218.22	2.86%	83.55%
115°	5.60	223.82	2.14%	85.70%
120°	4.96	228.78	1.90%	87.59%
125°	5.05	233.83	1.93%	89.53%
130°	5.26	239.09	2.02%	91.54%
135°	5.36	244.45	2.05%	93.59%
140°	5.04	249.49	1.93%	95.52%
145°	4.31	253.80	1.65%	97.17%
150°	3.38	257.17	1.29%	98.47%
155°	2.28	259.46	0.87%	99.34%
160°	1.00	260.46	0.38%	99.72%
165°	0.39	260.85	0.15%	99.87%
170°	0.20	261.05	0.08%	99.95%
175°	0.10	261.15	0.04%	99.99%
180°	0.03	261.18	0.01%	100.00%



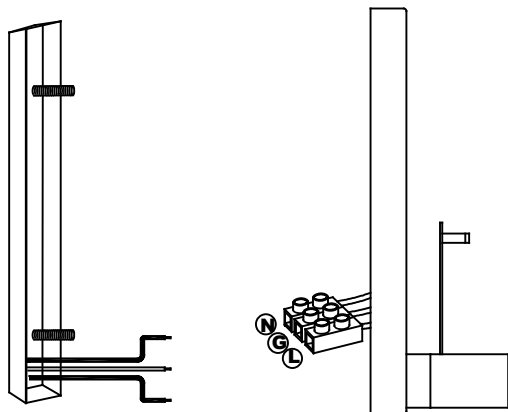
1



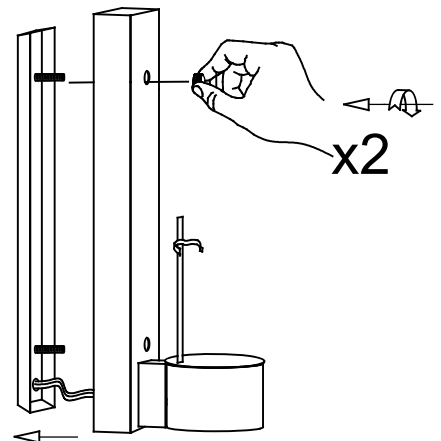
2



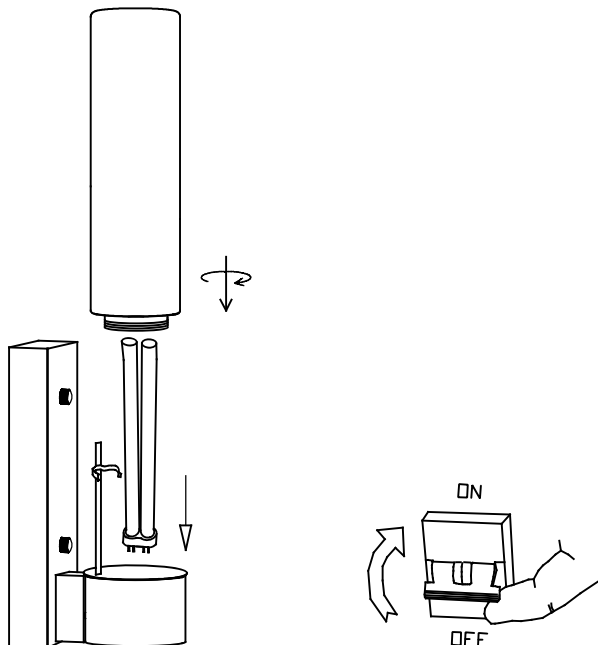
3



4



5



6

