

## VOILES Pendant

Designer: Celine Wright

**00-6304-21-14U** V0



**Finish**  
Chrome  
White  
NA

**Material**  
Steel  
Aluminium  
Japanese paper



### TECHNICAL CHARACTERISTICS

#### Light source

Light source: LED SAMSUNG  
Output (W): 47.5W  
Total power consumption (W): 55 W  
Color temperature: LED warm-white  
3000K  
CRI: 80  
Photobiological risk: RG1  
Real Lumen: 4480  
Qty Leds: 192  
Lm/Real W: 81  
Life Time: 50.000h L80B20  
Bin / Grup: VA o VB  
MacAdam steps: 3  
UGR: 6.9

#### GEAR

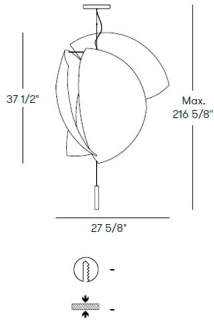
Brand: MEAN WELL  
Gear included: Yes, electronic  
Power Factor: 0.90  
Dimming protocol: 0-10V  
Flickering: 5%

#### Luminaire

Recessed: No  
Warranty: 5 Years

#### Logistics

Energy Efficiency: NA  
EAN Code: 8435526800896  
Net Weight (Lb): 13.05  
Weight in Kg (packaged): 11.375  
Packing: - x - x -  
Masterbox: 1



# LEDS C4<sup>®</sup>

## Luminaire

Code 00-6304-21-14U  
Name VOILES

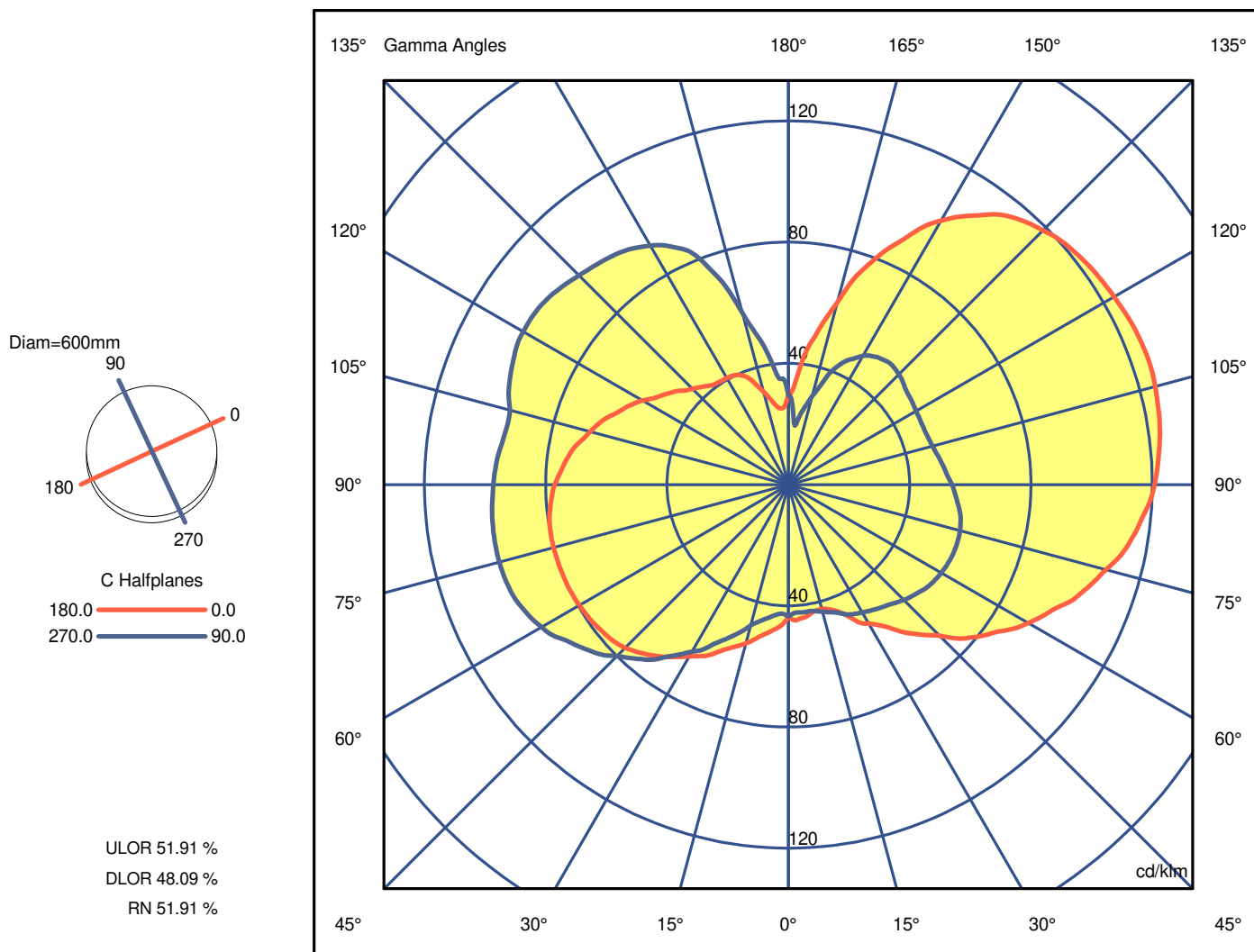
## Measurem.

Code 00-6304-21-14U  
Name VOILES

Luminaire Flux	4479.66 lm	Luminaire Power	55.00 W	Efficacy	81.45 lm/W	Efficiency	100.00%
Sources Flux	4479.66 lm	Maximum value	142.65 cd/klm	Position	C=330.00 G=120.00	CG	Asymmetrical
Round Luminaire		Diam.	600 mm	Height	900 mm		
Round Luminous Area		Diam.	600 mm	Height	900 mm		
Horizontal Luminous Area			0.282743 m2	Emitting area on Plane 180°			0.540000 m2
Emitting area on Plane 0°			0.540000 m2	Emitting area on Plane 270°			0.540000 m2
Emitting area on Plane 90°			0.540000 m2	Glare area at 76°			0.592361 m2
Coordinate system		CG		Symmetry Type		Asymmetrical	
Date		21-03-2018		Maximum Gamma Angle		180	
Measurement Distance		0.00		Measurement Flux		4479.66 lm	
Operator		Asselum T2		Rated Voltage			
Temperature		25.00 °C		Rated Current			
Humidity		60.00 %		Photocell			
Notes							

## Luminaire Lamps

Line	Code	Name	Flux [lm]	Pow. [W]	Q.ty
	00-6304-21-14U	00-6304-21-14U	4479.66	55.00	1
C.I.E.	18 43 71 48 100	D DIN 5040	C12		
F UTE	0.48 J + 0.52 T	B NBN	BZ 9		







# LEDS C4<sup>2</sup>

**Luminaire**

Code 00-6304-21-14U  
Name VOILES

**Measurem.**

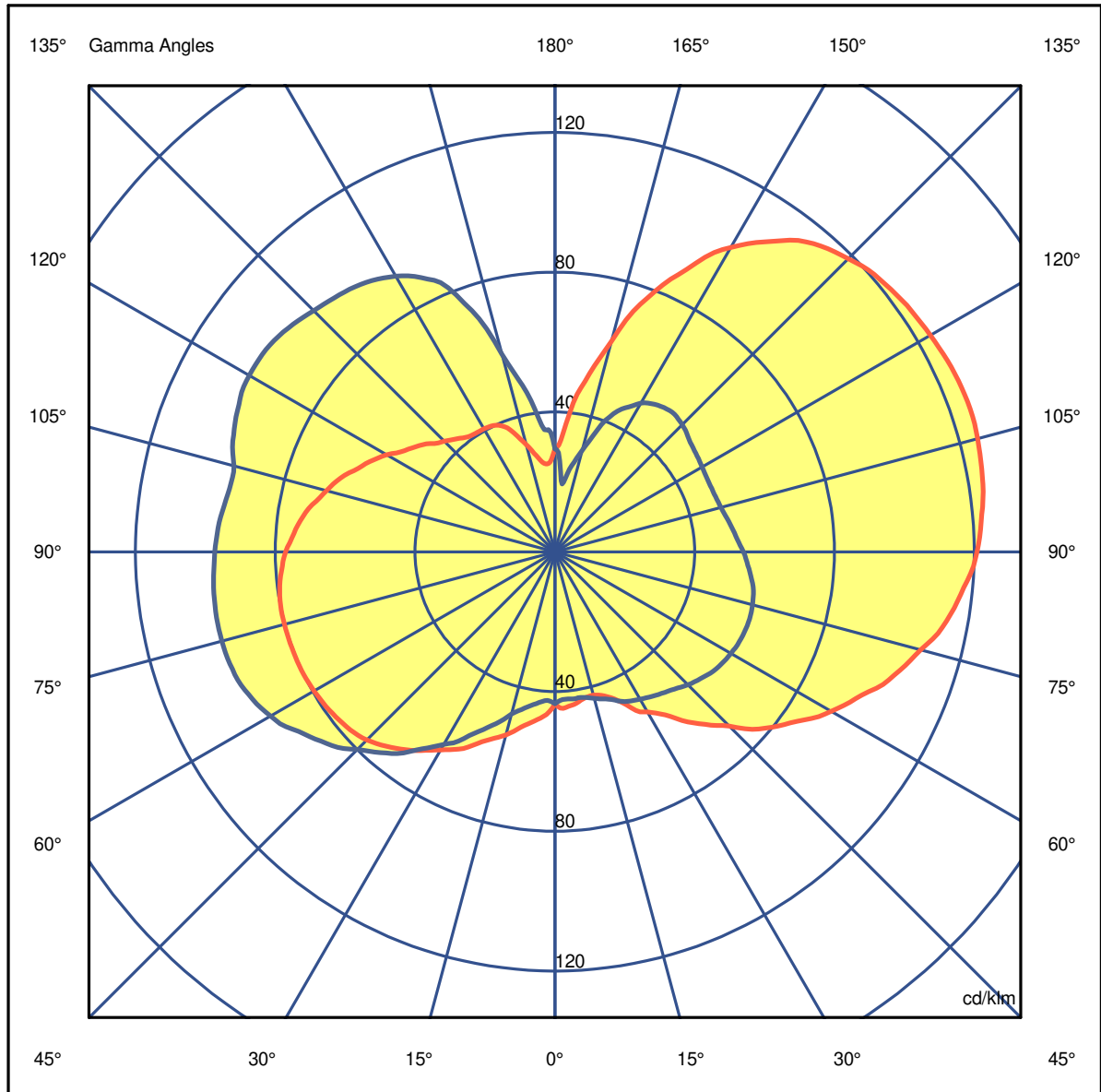
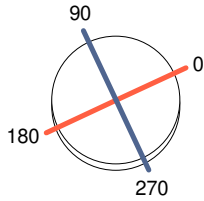
Code 00-6304-21-14U  
Name VOILES

Luminaire Flux	4479.66 lm	Luminaire Power	55.00 W	Efficacy	81.45 lm/W	Efficiency	100.00%
Sources Flux	4479.66 lm	Maximum value	142.65 cd/klm	Position	C=330.00 G=120.00	CG	Asymmetrical

Diam=600mm

C Halfplanes

180.0 ———— 0.0  
270.0 ———— 90.0



# LEDS C4<sup>®</sup>

## Luminaire

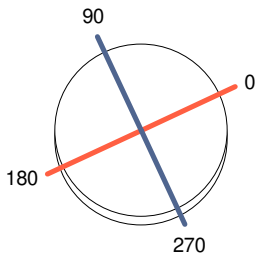
Code 00-6304-21-14U  
Name VOILES

## Measur.

Code 00-6304-21-14U  
Name VOILES

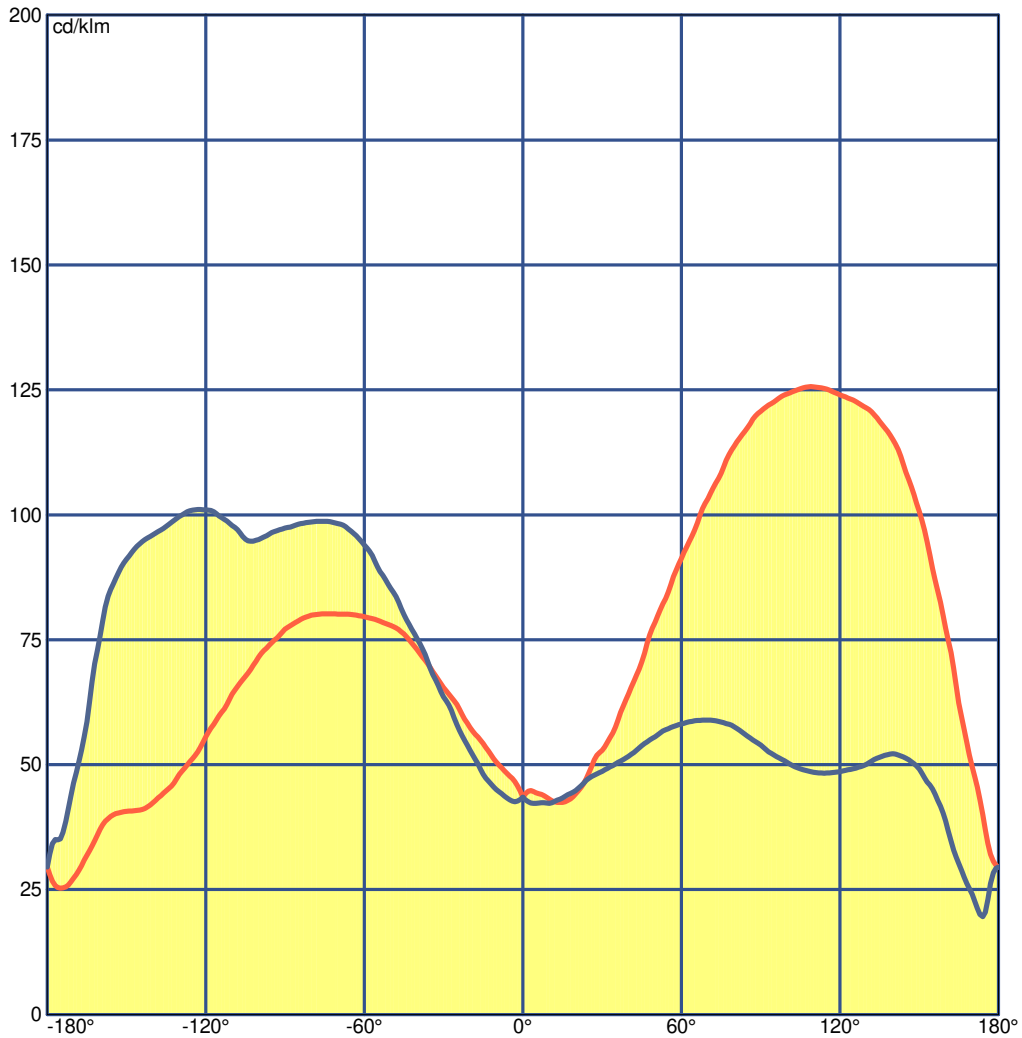
Luminaire Flux	4479.66 lm	Luminaire Power	55.00 W	Efficacy	81.45 lm/W	Efficiency	100.00%
Sources Flux	4479.66 lm	Maximum value	142.65 cd/klm	Position	C=330.00 G=120.00	CG	Asymmetrical

Diam=600mm



C Halfplanes

180.0 ———— 0.0  
270.0 ———— 90.0



# LEDS C4<sup>®</sup>

## Luminaire

Code 00-6304-21-14U  
Name VOILES

## Measurem.

Code 00-6304-21-14U  
Name VOILES

Luminaire Flux	4479.66 lm	Luminaire Power	55.00 W	Efficacy	81.45 lm/W	Efficiency	100.00%
Sources Flux	4479.66 lm	Maximum value	142.65 cd/klm	Position	C=330.00 G=120.00	CG	Asymmetrical

**UGR**  
S = 0.250

Reflectancies										
Ceiling/Cavity	0.7	0.7	0.5	0.5	0.3	0.7	0.7	0.5	0.5	0.3
Walls	0.5	0.3	0.5	0.3	0.3	0.5	0.3	0.5	0.3	0.3
WorkingPlane	0.2	0.2	0.2	0.2	0.2	0.2	0.2	0.2	0.2	0.2
RoomDimensions	Viewed Crosswise					Viewed Endwise				
x=2H y=2H	6.9	7.9	7.8	8.8	10.0	7.6	8.5	8.5	9.5	10.7
x=2H y=3H	9.5	10.4	10.5	11.4	12.6	10.4	11.3	11.4	12.3	13.5
x=2H y=4H	10.8	11.7	11.8	12.6	13.9	11.9	12.7	12.8	13.7	14.9
x=2H y=6H	12.1	12.9	13.1	13.9	15.2	13.3	14.0	14.2	15.0	16.3
x=2H y=8H	12.8	13.5	13.7	14.5	15.8	14.0	14.7	14.9	15.7	17.0
x=2H y=12H	13.4	14.1	14.3	15.1	16.4	14.6	15.3	15.6	16.3	17.6
x=4H y=2H	7.7	8.5	8.7	9.5	10.8	8.4	9.3	9.4	10.2	11.5
x=4H y=3H	10.5	11.3	11.5	12.2	13.5	11.4	12.1	12.4	13.1	14.4
x=4H y=4H	12.0	12.7	13.0	13.7	15.0	13.0	13.6	13.9	14.6	15.9
x=4H y=6H	13.5	14.1	14.5	15.1	16.4	14.5	15.1	15.5	16.1	17.5
x=4H y=8H	14.2	14.8	15.2	15.8	17.1	15.3	15.8	16.3	16.9	18.2
x=4H y=12H	14.9	15.4	15.9	16.4	17.8	16.1	16.6	17.1	17.6	19.0
x=8H y=4H	12.5	13.1	13.6	14.1	15.4	13.5	14.0	14.5	15.0	16.4
x=8H y=6H	14.3	14.7	15.3	15.8	17.1	15.3	15.7	16.3	16.7	18.1
x=8H y=8H	15.2	15.6	16.2	16.6	18.0	16.2	16.6	17.2	17.6	19.0
x=8H y=12H	16.1	16.4	17.1	17.5	18.9	17.1	17.5	18.2	18.5	19.9
x=12H y=4H	12.6	13.1	13.7	14.2	15.5	13.6	14.1	14.6	15.1	16.5
x=12H y=6H	14.5	14.8	15.5	15.9	17.3	15.5	15.9	16.5	16.9	18.3
x=12H y=8H	15.4	15.8	16.5	16.8	18.2	16.5	16.8	17.5	17.9	19.2

# LEDS C4<sup>+</sup>

## Luminaire

Code 00-6304-21-14U  
Name VOILES

## Measurement

Code 00-6304-21-14U  
Name VOILES

Luminaire Flux	4479.66 lm	Luminaire Power	55.00 W	Efficacy	81.45 lm/W	Efficiency	100.00%
Sources Flux	4479.66 lm	Maximum value	142.65 cd/klm	Position	C=330.00 G=120.00	CG	Asymmetrical

Total Flux=4479.66 Luminaire Flux=4479.66

RI	0.60	0.80	1.00	1.25	1.50	2.00	2.50	3.00	4.00	5.00	10.00	20.00
DRR	0.11	0.17	0.22	0.27	0.32	0.40	0.47	0.52	0.59	0.64	0.77	0.86
RC	10	10	10	10	10	10	10	10	10	10	10	10

Zonal Flux per 1000 Lumen

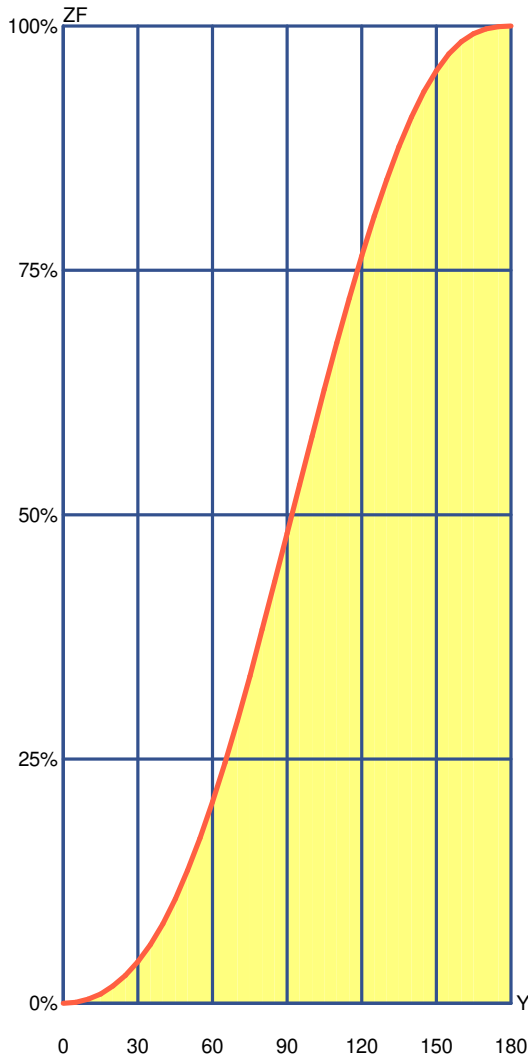
Y°	10	20	30	40	50	60	70	80	90	100	110	120	130	140	150	160	170	180
ZF(Y)	4	18	42	81	136	206	289	382	481	580	676	765	843	907	954	984	997	1000

CIE Flux Codes

18 43 71 48 100

C.I.E. 10  
D DIN 5040 C12  
F UTE 0.48 J + 0.52 T  
B NBN BZ 9  
RN 51.91227 %  
BLF 1.0

LOR 100.00000 %  
ULOR 51.91227 %  
DLOR 48.08773 %  
UFF 51.91227 %  
DFF 48.08773 %  
FFR 107.95326 %



Gamma °	Zonal Flux			
	Flux	Sum lm	Flux [%]	Sum [%]
0°	0.00	0.00	0.00%	0.00%
5°	1.04	1.04	0.10%	0.10%
10°	3.17	4.21	0.32%	0.42%
15°	5.43	9.64	0.54%	0.96%
20°	7.96	17.59	0.80%	1.76%
25°	10.82	28.42	1.08%	2.84%
30°	14.04	42.46	1.40%	4.25%
35°	17.52	59.98	1.75%	6.00%
40°	21.33	81.32	2.13%	8.13%
45°	25.30	106.61	2.53%	10.66%
50°	29.31	135.92	2.93%	13.59%
55°	33.17	169.09	3.32%	16.91%
60°	36.84	205.93	3.68%	20.59%
65°	40.18	246.10	4.02%	24.61%
70°	43.16	289.26	4.32%	28.93%
75°	45.60	334.86	4.56%	33.49%
80°	47.55	382.41	4.75%	38.24%
85°	48.87	431.28	4.89%	43.13%
90°	49.59	480.88	4.96%	48.09%
95°	49.72	530.60	4.97%	53.06%
100°	49.32	579.93	4.93%	57.99%
105°	48.46	628.38	4.85%	62.84%
110°	47.24	675.63	4.72%	67.56%
115°	45.64	721.27	4.56%	72.13%
120°	43.43	764.69	4.34%	76.47%
125°	40.64	805.33	4.06%	80.53%
130°	37.44	842.77	3.74%	84.28%
135°	33.92	876.69	3.39%	87.67%
140°	30.11	906.80	3.01%	90.68%
145°	25.98	932.78	2.60%	93.28%
150°	21.54	954.32	2.15%	95.43%
155°	17.04	971.36	1.70%	97.14%
160°	12.53	983.90	1.25%	98.39%
165°	8.28	992.18	0.83%	99.22%
170°	4.78	996.97	0.48%	99.70%
175°	2.34	999.30	0.23%	99.93%
180°	0.70	1000.00	0.07%	100.00%



# LEDS C4<sup>+</sup>

**Luminaire**

Code 00-6304-21-14U  
Name VOILES

**Measurerm.**

Code 00-6304-21-14U  
Name VOILES

Luminaire Flux	4479.66 lm	Luminaire Power	55.00 W	Efficacy	81.45 lm/W	Efficiency	100.00%
Sources Flux	4479.66 lm	Maximum value	142.65 cd/klm	Position	C=330.00 G=120.00	CG	Asymmetrical

Utilizations CIE

Mounting	Direct	Normalization		Normalised		Suspension Ratid/3						Standard CIE Settings											
Ceiling																							
K	8873	8773	8871	8771	7773	7771	7753	7553	7751	7551	7731	7331	7711	7111	5551	5531	5331	5511	5111	3331	3311	1111	0000
0.60	576	518	546	493	493	470	431	366	418	357	383	289	358	244	333	309	273	292	233	259	246	213	195
0.80	639	586	591	545	557	521	487	426	465	409	424	337	394	288	382	353	319	331	275	303	286	251	231
1.00	682	634	618	578	603	553	529	472	496	445	453	374	420	322	417	386	354	361	308	336	317	282	260
1.25	719	677	637	603	644	579	569	517	523	478	479	408	445	356	450	417	387	390	341	369	348	314	288
1.50	745	708	647	619	674	596	600	552	541	502	498	434	463	382	473	440	413	412	366	394	372	338	311
2.00	779	749	657	635	714	614	644	603	565	533	524	470	489	421	505	472	449	444	405	430	407	376	346
2.50	800	775	660	642	740	623	674	638	578	551	540	494	507	448	525	494	474	467	432	455	433	403	371
3.00	814	792	660	645	757	627	696	664	587	564	551	512	520	468	538	509	492	483	452	473	451	424	389
4.00	832	815	658	647	780	631	727	701	597	579	566	535	538	496	556	530	516	506	481	498	478	452	415
5.00	842	828	655	647	793	632	746	724	602	588	575	549	550	515	566	543	531	521	499	514	495	472	433
10.00	862	854	644	640	820	629	790	778	611	604	593	580	577	557	585	570	563	555	543	548	535	517	472
20.00	870	866	634	633	832	624	814	808	613	609	602	595	592	582	593	584	580	575	568	567	558	543	494

Wall

K	8873	8773	8871	8771	7773	7771	7753	7553	7751	7551	7731	7331	7711	7111	5551	5531	5331	5511	5111	3331	3311	1111	0000
0.60	420	388	381	355	371	340	293	263	275	248	230	194	198	159	234	199	185	173	153	177	155	142	128
0.80	498	467	444	418	443	399	361	328	333	305	286	246	250	206	284	247	232	218	196	220	196	178	161
1.00	560	529	490	466	500	444	417	384	379	352	331	291	294	247	326	288	272	258	233	255	231	209	189
1.25	620	591	535	513	556	488	475	442	426	400	378	338	340	293	368	330	315	300	275	293	268	243	219
1.50	668	641	570	550	602	522	523	491	464	439	417	379	379	333	403	366	351	335	311	325	300	271	245
2.00	739	715	620	604	670	573	597	567	521	499	477	442	441	397	456	422	408	392	369	376	352	318	287
2.50	791	770	657	644	721	611	653	626	564	545	523	492	488	448	497	465	452	437	415	416	393	355	321
3.00	832	814	686	675	761	642	698	673	598	581	561	532	527	490	530	500	488	473	453	448	427	386	349
4.00	894	879	733	724	822	689	768	747	652	638	619	595	589	557	583	556	546	532	514	501	481	436	396
5.00	941	929	769	762	869	726	820	802	694	682	664	643	637	609	624	600	591	578	562	542	524	476	434
10.00	1000	1000	880	876	1000	840	973	962	819	812	799	787	780	762	748	732	727	716	706	670	657	602	554
20.00	1000	1000	990	987	1000	951	1000	1000	938	934	925	918	913	903	867	857	853	846	840	792	783	724	672

Working Pl.

K	8873	8773	8871	8771	7773	7771	7753	7553	7751	7551	7731	7331	7711	7111	5551	5531	5331	5511	5111	3331	3311	1111	0000
0.60	390	356	364	334	335	315	239	209	231	202	173	137	132	94	184	138	124	104	85	113	84	70	54
0.80	484	448	446	415	417	388	315	279	300	268	238	192	190	141	239	189	172	151	126	154	122	100	80
1.00	559	523	510	479	484	446	380	341	359	324	294	244	243	187	286	234	216	194	165	190	157	128	104
1.25	634	598	571	542	550	503	447	407	419	384	353	300	300	239	335	283	263	241	210	230	195	159	131
1.50	692	658	618	591	603	548	502	462	467	433	402	349	349	285	375	324	304	282	249	263	229	185	154
2.00	778	748	686	663	682	613	588	550	539	508	478	428	426	364	437	390	370	349	315	317	284	229	194
2.50	837	810	731	711	738	658	651	615	591	563	533	487	484	424	482	438	419	399	367	357	326	263	224
3.00	881	857	763	746	779	690	698	665	629	603	575	532	528	473	516	475	457	437	407	388	358	289	248
4.00	940	920	806	793	835	733	765	737	681	660	635	598	592	543	563	527	512	494	467	432	406	328	283
5.00	978	962	834	823	872	761	810	785	716	698	674	643	636	593	595	563	550	533	509	463	439	355	307
10.00	1000	1000	895	889	956	824	917	902	796	786	769	750	744	717	670	649	641	629	614	538	522	423	370
20.00	1000	1000	930	927	1000	861	983	975	845	839	828	818	813	798	717	704	700	691	683	587	577	469	414

LM53 SHR C0-C180: 2.301 SHR C90-C270: 1.785 SHR Square: 3.480

# LEDS C4<sup>2</sup>

---

**Luminaire**

Code 00-6304-21-14U  
Name VOILES

**Measurem.**

Code 00-6304-21-14U  
Name VOILES

---

Luminaire Flux	4479.66 lm	Luminaire Power	55.00 W	Efficacy	81.45 lm/W	Efficiency	100.00%
Sources Flux	4479.66 lm	Maximum value	142.65 cd/klm	Position	C=330.00 G=120.00	CG	Asymmetrical

---

Right beam angle not found, gamma = 71

Right beam angle not found, gamma = 71

Right beam angle not found, gamma = 71

# LEDS C4<sup>2</sup>

**Luminaire**

Code 00-6304-21-14U  
Name VOILES

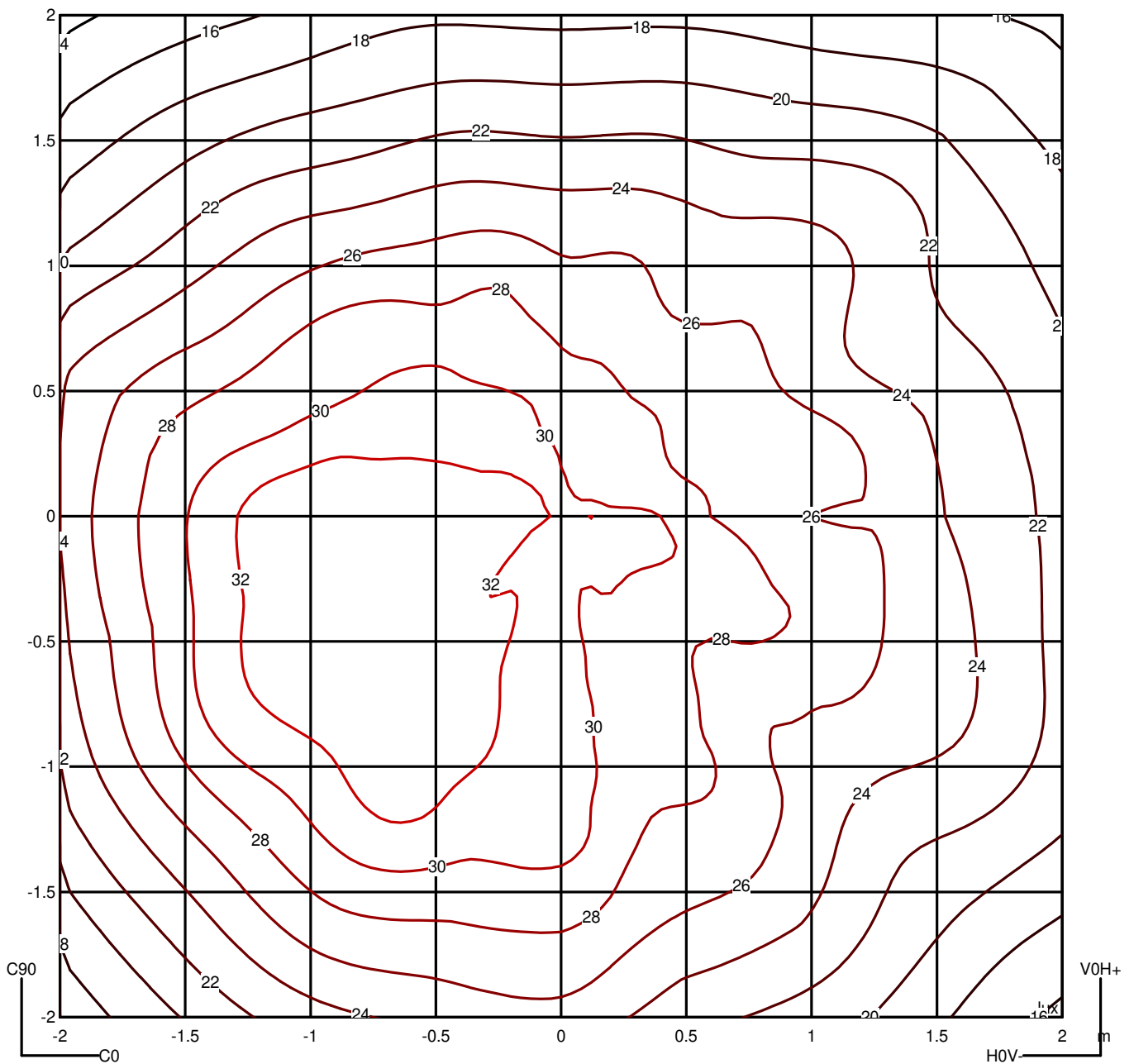
**Measurement**

Code 00-6304-21-14U  
Name VOILES

Luminaire Flux	4479.66 lm	Luminaire Power	55.00 W	Efficacy	81.45 lm/W	Efficiency	100.00%
Sources Flux	4479.66 lm	Maximum value	142.65 cd/klm	Position	C=330.00 G=120.00	CG	Asymmetrical

Isolux (Floor)

Luminaire position X=0.00m Y=0.00m Z=2.50m



# LEDS C4<sup>®</sup>

**Luminaire**

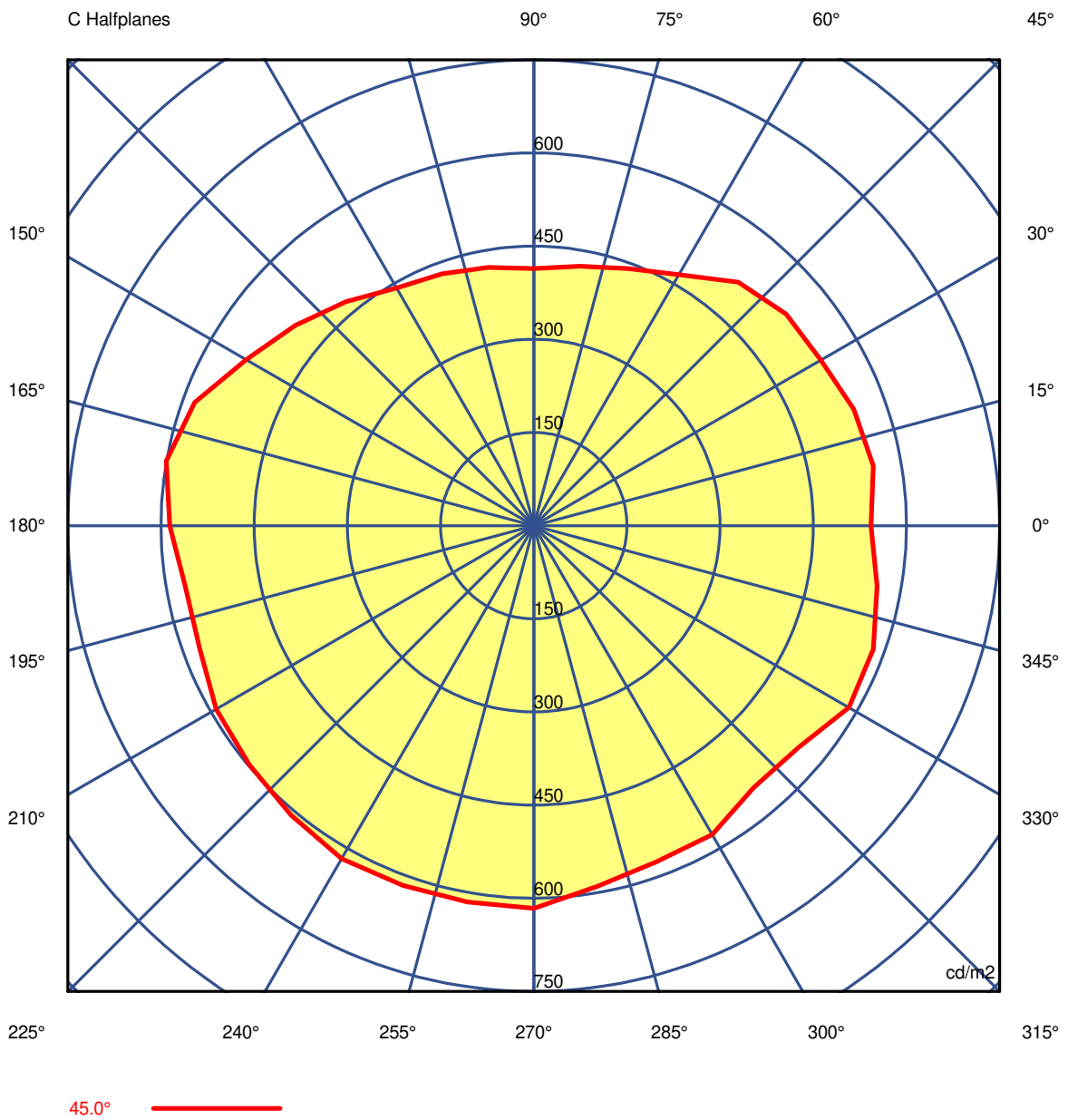
Code 00-6304-21-14U  
Name VOILES

**Measurem.**

Code 00-6304-21-14U  
Name VOILES

Luminaire Flux	4479.66 lm	Luminaire Power	55.00 W	Efficacy	81.45 lm/W	Efficiency	100.00%
Sources Flux	4479.66 lm	Maximum value	142.65 cd/klm	Position	C=330.00 G=120.00	CG	Asymmetrical

Luminance



# LEDS C4<sup>+</sup>

## Luminaire

Code 00-6304-21-14U

Name VOILES

## Measurement

Code 00-6304-21-14U

Name VOILES

Luminaire Flux	4479.66 lm	Luminaire Power	55.00 W	Efficacy	81.45 lm/W	Efficiency	100.00%
Sources Flux	4479.66 lm	Maximum value	142.65 cd/klm	Position	C=330.00 G=120.00	CG	Asymmetrical

Luminance cd/m2 Table 1/3

	C 0.00	C 10.00	C 20.00	C 30.00	C 40.00	C 50.00	C 60.00	C 70.00	C 80.00	C 90.00	C 100.00	C 110.00	C 120.00
G 0.0	688.61	688.61	688.61	688.61	688.61	688.61	688.61	688.61	688.61	688.61	688.61	688.61	688.61
G 5.0	604.34	575.74	567.09	567.01	565.21	564.09	567.05	570.41	572.64	576.00	583.74	590.93	597.69
G 10.0	518.28	504.60	496.82	496.11	498.63	499.61	499.93	505.50	507.95	508.96	522.28	530.93	534.97
G 15.0	460.90	465.05	460.35	454.18	461.47	464.44	460.66	465.02	467.84	470.56	484.91	494.61	498.55
G 20.0	439.30	452.18	451.80	444.38	446.84	442.83	435.07	443.35	446.71	445.97	462.71	473.64	475.76
G 25.0	447.04	456.51	447.22	432.27	441.39	444.26	439.49	440.36	439.62	437.15	447.64	456.10	461.92
G 30.0	460.19	457.95	447.27	435.40	456.11	460.42	439.93	433.78	429.10	423.65	432.24	441.72	449.93
G 35.0	475.58	479.34	469.68	460.09	474.20	472.27	447.82	433.61	422.31	414.76	423.32	432.72	442.37
G 40.0	510.05	506.03	500.19	498.92	501.99	490.09	453.09	433.82	419.65	410.71	423.15	434.62	443.30
G 45.0	542.91	555.09	548.31	533.38	530.23	511.84	466.60	440.89	424.30	414.21	422.24	431.54	442.26
G 50.0	590.74	598.49	593.57	582.83	578.81	542.40	481.49	447.87	429.30	418.08	422.47	430.68	442.71
G 55.0	626.28	653.53	651.27	629.05	616.80	574.09	505.05	461.65	437.53	423.94	422.85	428.00	441.10
G 60.0	671.35	701.86	705.54	687.40	668.69	612.23	528.67	475.22	445.19	427.74	423.21	426.79	440.44
G 65.0	712.94	761.06	767.91	739.59	711.34	649.88	560.92	494.83	454.35	432.28	424.03	425.41	439.84
G 70.0	765.69	814.34	826.20	802.22	767.14	694.11	592.48	511.53	461.87	436.91	425.17	423.72	438.93
G 75.0	815.71	876.78	890.42	858.30	815.38	737.45	628.93	532.92	470.82	440.77	426.38	423.09	439.43
G 80.0	877.17	937.27	952.82	922.32	873.91	785.75	664.92	555.59	482.02	444.17	425.58	420.51	438.94
G 85.0	934.96	1002.18	1017.82	981.43	928.12	834.92	706.31	584.94	495.50	443.46	419.99	417.08	441.43
G 90.0	1001.48	1066.16	1085.12	1052.73	992.47	867.25	747.89	617.79	516.30	447.44	408.60	406.52	444.75

# LEDS C4<sup>+</sup>

## Luminaire

Code 00-6304-21-14U  
Name VOILES

## Measurement

Code 00-6304-21-14U  
Name VOILES

Luminaire Flux	4479.66 lm	Luminaire Power	55.00 W	Efficacy	81.45 lm/W	Efficiency	100.00%
Sources Flux	4479.66 lm	Maximum value	142.65 cd/klm	Position	C=330.00 G=120.00	CG	Asymmetrical

Luminance cd/m2 Table 2/3

	C 130.00	C 140.00	C 150.00	C 160.00	C 170.00	C 180.00	C 190.00	C 200.00	C 210.00	C 220.00	C 230.00	C 240.00	C 250.00
G 0.0	688.61	688.61	688.61	688.61	688.61	688.61	688.61	688.61	688.61	688.61	688.61	688.61	688.61
G 5.0	608.55	617.35	620.03	623.60	635.02	650.46	638.76	631.55	630.08	605.51	595.53	596.65	588.97
G 10.0	549.85	559.04	560.40	570.92	592.90	607.74	595.92	599.29	609.37	578.75	564.25	571.89	551.93
G 15.0	511.32	521.52	526.32	537.82	565.41	588.30	576.66	578.86	594.39	576.24	563.82	561.29	534.05
G 20.0	489.12	499.83	505.93	522.63	550.26	571.54	568.77	575.26	587.28	570.48	565.03	569.72	543.97
G 25.0	479.02	496.20	505.78	514.29	542.97	573.88	568.42	573.58	592.20	580.85	573.54	572.89	550.27
G 30.0	467.76	485.73	502.12	525.22	551.24	569.42	572.76	583.03	594.48	582.33	582.48	590.78	568.16
G 35.0	465.86	487.40	508.13	543.57	569.62	574.26	573.67	582.21	599.67	593.69	593.12	598.35	581.74
G 40.0	468.26	491.72	518.00	566.26	583.13	580.04	570.31	580.12	597.19	596.12	601.68	612.21	601.29
G 45.0	470.74	501.62	534.86	581.03	601.04	586.32	569.38	572.95	590.50	598.24	608.12	618.96	616.11
G 50.0	470.66	507.01	548.71	593.47	605.63	585.73	571.68	571.82	581.81	594.56	610.76	626.79	635.93
G 55.0	471.43	517.60	568.16	603.86	605.07	584.59	577.21	576.29	578.85	592.92	613.37	634.21	652.23
G 60.0	472.82	525.91	582.37	612.21	606.02	585.39	585.55	584.04	580.85	592.27	617.07	646.73	672.13
G 65.0	476.57	537.44	598.25	620.75	607.27	588.93	598.29	601.95	591.82	596.41	622.57	660.12	691.05
G 70.0	481.33	548.78	611.89	629.82	612.36	594.22	605.64	612.18	602.52	602.74	630.08	676.09	713.43
G 75.0	488.58	561.50	624.82	639.70	620.78	603.80	616.11	623.12	614.59	617.05	643.71	688.17	728.95
G 80.0	495.86	574.24	637.59	650.97	631.20	616.09	633.12	638.95	626.10	632.09	659.82	700.44	740.80
G 85.0	505.42	586.26	649.05	664.82	642.24	627.20	662.30	669.99	639.05	637.77	665.95	708.76	752.87
G 90.0	517.05	600.21	662.99	678.43	659.52	639.50	686.47	696.68	655.86	649.20	677.50	721.93	766.35

# LEDS C4<sup>®</sup>

## Luminaire

Code 00-6304-21-14U

Name VOILES

## Measurem.

Code 00-6304-21-14U

Name VOILES

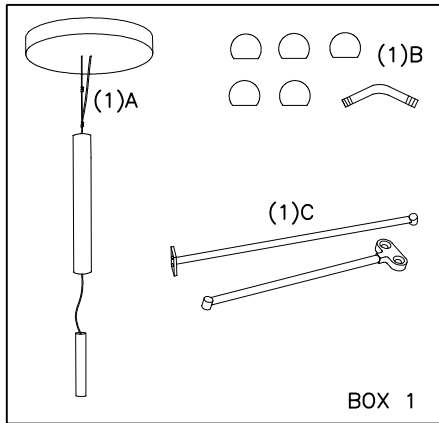
Luminaire Flux	4479.66 lm	Luminaire Power	55.00 W	Efficacy	81.45 lm/W	Efficiency	100.00%
Sources Flux	4479.66 lm	Maximum value	142.65 cd/klm	Position	C=330.00 G=120.00	CG	Asymmetrical

**Luminance cd/m2 Table 3/3**

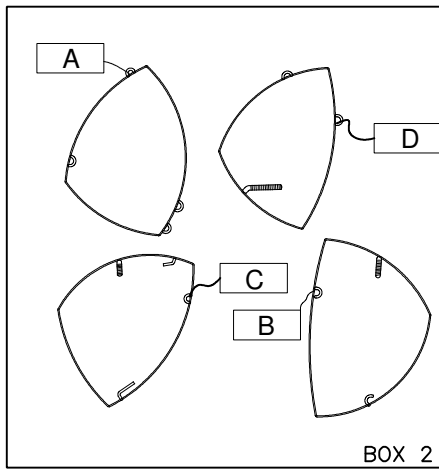
	C 260.00	C 270.00	C 280.00	C 290.00	C 300.00	C 310.00	C 320.00	C 330.00	C 340.00	C 350.00
G 0.0	688.61	688.61	688.61	688.61	688.61	688.61	688.61	688.61	688.61	688.61
G 5.0	585.07	585.76	583.21	581.54	584.37	588.95	592.39	596.16	603.43	606.84
G 10.0	541.98	541.94	526.75	520.73	522.63	519.07	517.77	524.03	530.37	528.48
G 15.0	522.26	521.53	501.28	491.49	490.87	481.43	476.76	483.46	488.48	480.70
G 20.0	529.12	526.22	495.55	480.71	478.29	463.04	460.30	472.56	469.17	455.29
G 25.0	539.14	536.29	505.48	489.48	488.74	462.63	458.86	470.76	472.73	461.98
G 30.0	555.34	553.21	523.02	506.21	504.63	479.53	472.42	478.55	475.80	467.07
G 35.0	574.01	572.69	543.02	530.19	528.66	498.73	491.63	511.52	506.34	489.65
G 40.0	596.91	597.43	565.63	550.78	548.53	526.80	527.03	546.88	535.57	517.63
G 45.0	615.11	615.96	589.51	575.88	574.20	550.64	555.60	585.62	581.35	561.03
G 50.0	643.69	641.57	615.99	599.34	593.85	576.30	586.30	617.25	617.40	603.15
G 55.0	664.45	663.74	644.90	626.06	610.51	592.31	608.91	650.50	663.20	650.25
G 60.0	689.57	691.23	669.88	642.28	620.35	609.67	632.78	677.35	700.62	695.23
G 65.0	710.37	711.26	687.95	658.88	636.69	627.13	654.75	709.40	746.84	745.46
G 70.0	731.77	728.30	705.72	676.62	653.83	650.10	685.22	746.50	791.33	795.38
G 75.0	748.19	743.33	724.99	699.74	677.54	675.49	719.33	794.07	847.59	851.77
G 80.0	761.53	760.13	748.91	726.43	703.60	707.35	762.72	847.67	903.08	908.53
G 85.0	777.50	780.98	776.87	757.18	736.20	752.36	826.91	924.62	974.55	970.83
G 90.0	794.84	807.32	812.22	791.59	775.54	827.67	925.50	1014.73	1046.70	1034.19

FIGURE N° 1. UNPACK THE FIXTURE: CHECK THE CONTENTS OF THE BOX. YOU SHOULD RECEIVE:

FIGURE N° 1. DÉBALLER LE PLAFONIER: VÉRIFIER LE CONTENU DU CARTON, VOUS DEVEZ RECEVOIR:



BOX 1



BOX 2

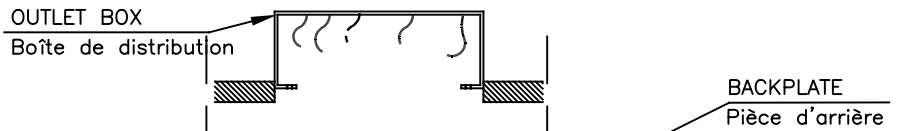


FIGURE 6

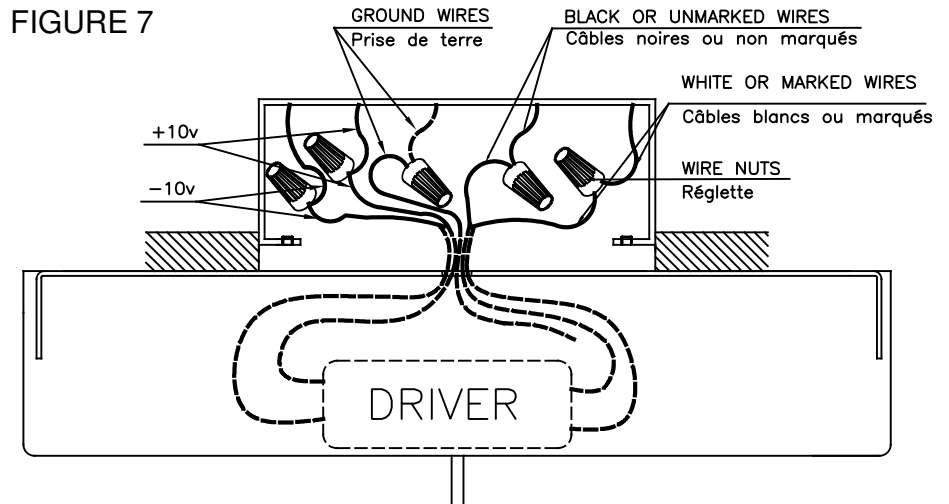


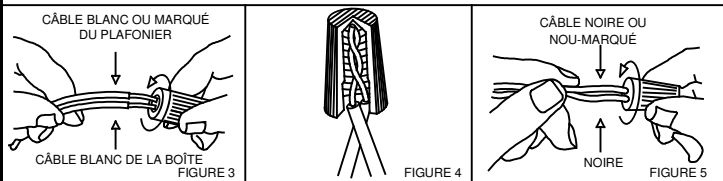
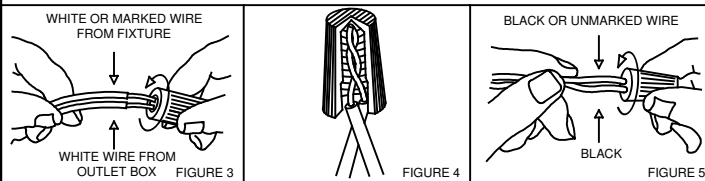
FIGURE 7

**INSTALLATION INSTRUCTIONS FOR HANGING FIXTURES**

**INSTRUCTIONS D'INSTALLATION POUR PLAFONNIERS**

FIGURE 3, 4 AND 5 MOUNTING HARDWARE.  
NOTE: TEST THE CONNECTOR BY GENTLY PULLING IT. IF IT PULLS OUT THE CONNECTION, TRY AGAIN TILL YOU HAVE A FIRM CONNECTION. MAKE SURE NO BARE STRANDS OF WIRE STICK OUT FROM UNDER THE CONNECTORS.

FIGURE 3, 4 ET 5 MONTAGE DE L'ÉQUIPE.  
IMPORTANT: ESSAYER DE TIRER LE CÂBLE D'ALIMENTATION DOUCEMENT. S'IL SORT DE LA CONNECTION, IL FAUDRAIT ASSURER QUE LA CONNECTION SOIT FERME. S'ASSURER QUE LES FILS DES CÂBLES NE SONT PAS À DÉCOUVERT DU CONNECTEUR.



**CAUTION:**  
"Warning", "This product is to be installed by a qualified electrician only."  
"Suitable for dry locations only"

**ATTENTION:**  
"Attention", le raccordement électrique sera effectué par un technicien électrique qualifié  
"Adéquat seulement en lieux secs."

**CAUTION:**  
1.- Wrong lighting installation can be dangerous for your safety.  
2.- Before starting, disconnect the power by turning off the general switch of the electric installation.  
3.- Install light bulbs (not provided) that must not exceed markings on the fixture.  
4.- To change the bulbs, disconnect the power by turning off the general switch and wait for the bulbs cool down.

**ATTENTION:**  
1. Une mauvaise installation peut compromettre votre sécurité.  
2. Déconnecter la tension du réseau d'alimentation avant de réaliser toute opération.  
3. Installer les ampoules (non fournies), ne pas utiliser d'ampoules d'un autre type ou d'une puissance supérieure à celle indiquée sur l'étiquette de la lampe.  
4. Pour changer les ampoules, déconnecter la tension du réseau d'alimentation et laisser refroidir les ampoules.

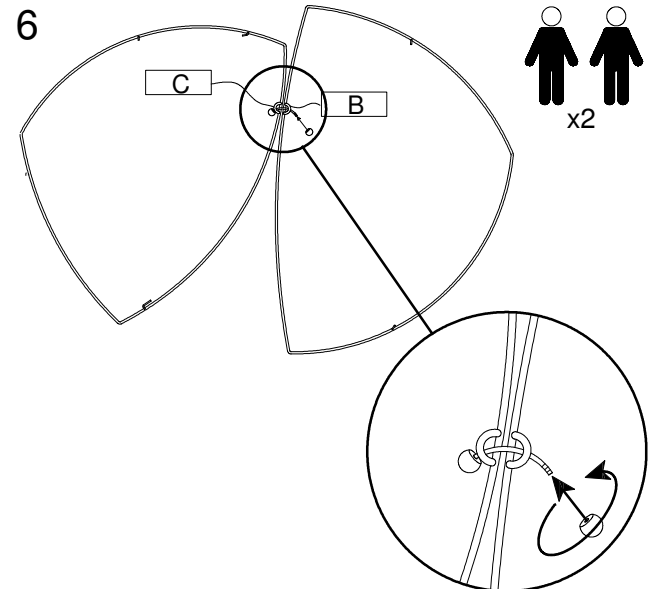
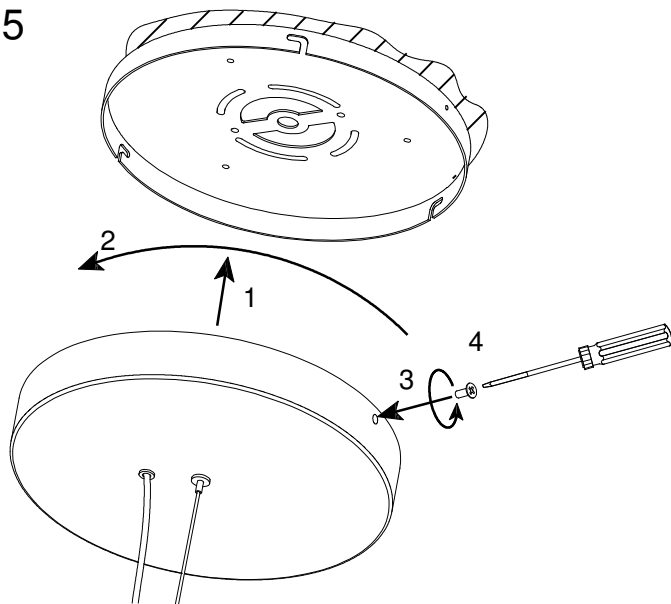
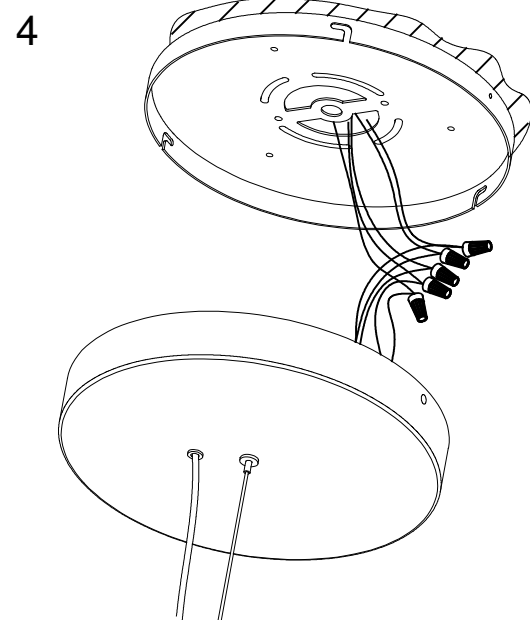
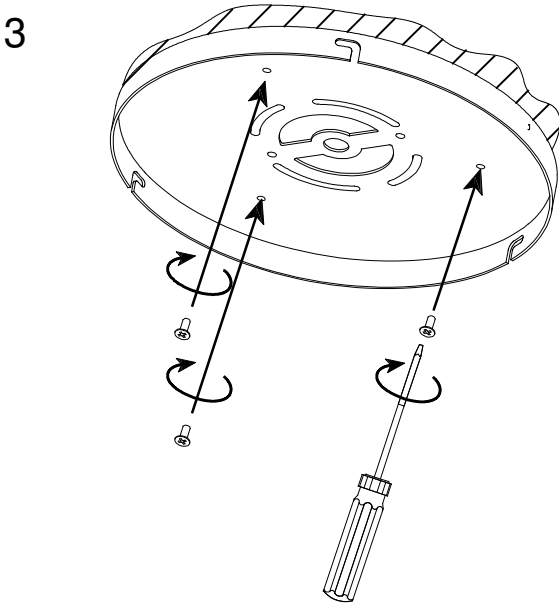
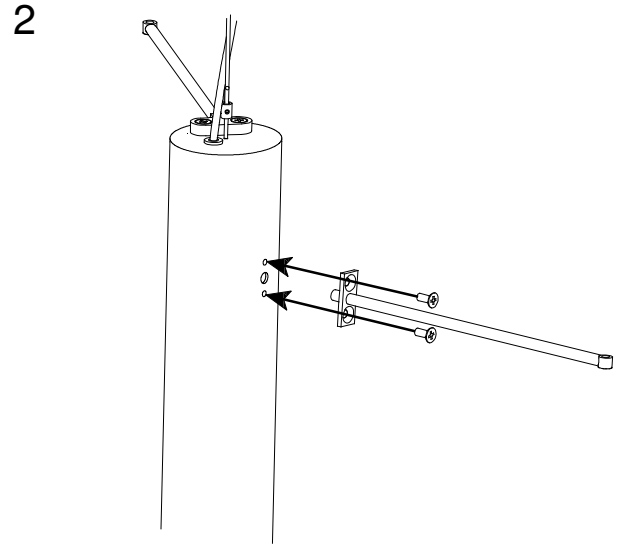
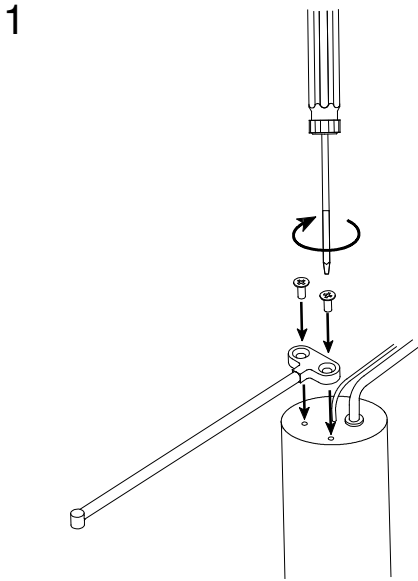
**INSTALLATION:**  
1.- Make electrical connections, carefully read the Electrical Connection section.  
2.- Assemble lighting onto the outlet box as shown on fig. 6, & 7.

**INSTALLATION:**  
1. Connecter au réseau, lire attentivement la section de "Raccordements électriques"  
2. Installer l'appareil à la boîte de distribution comme indiqué dans les dessins 6 et 7.

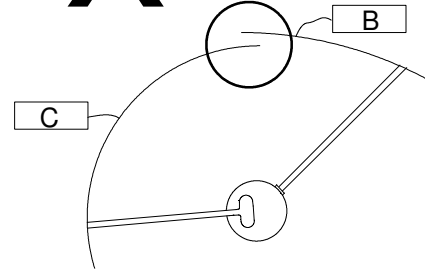
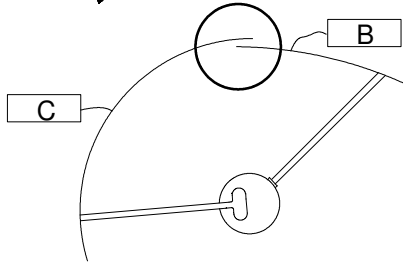
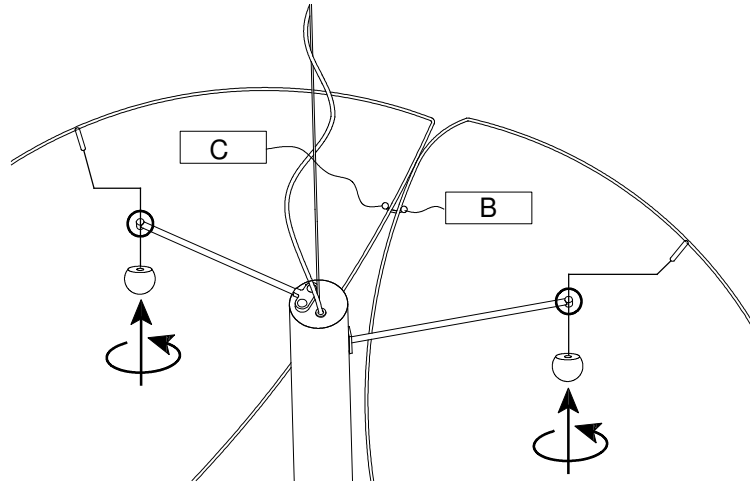
**ELECTRICAL CONNECTIONS:** (See fig. 3,4 y 5)  
1.- Connect the white wire from the fixture to the white wire of the electric installation.  
2.- Connect the black wire from the fixture to the black wire of the electric installation.  
3.- Connect the grounding conductor from the fixture to the grounding wire of the electric installation.  
4.- Spread out the electrical wires so that the black ones are on one side of the outlet box and the white ones are on the other side, and carefully introduce them into the outlet box.

**RACCORDEMENTS ÉLECTRIQUES (dessins 3,4 et 5)**  
1. Connecter le câble blanc de l'appareil au câble blanc de l'installation électrique.  
2. Connecter le câble noir de l'appareil au câble noir de l'installation électrique.  
3. Connecter le câble conducteur de prise de terre au câble de prise de terre de l'installation électrique.  
4. Distribuer les câbles pour que tout le câblage noir soit par dehors et le câblage blanc soit par dedans. Ajuster et immobiliser à la boîte sans coincer aucun câble.

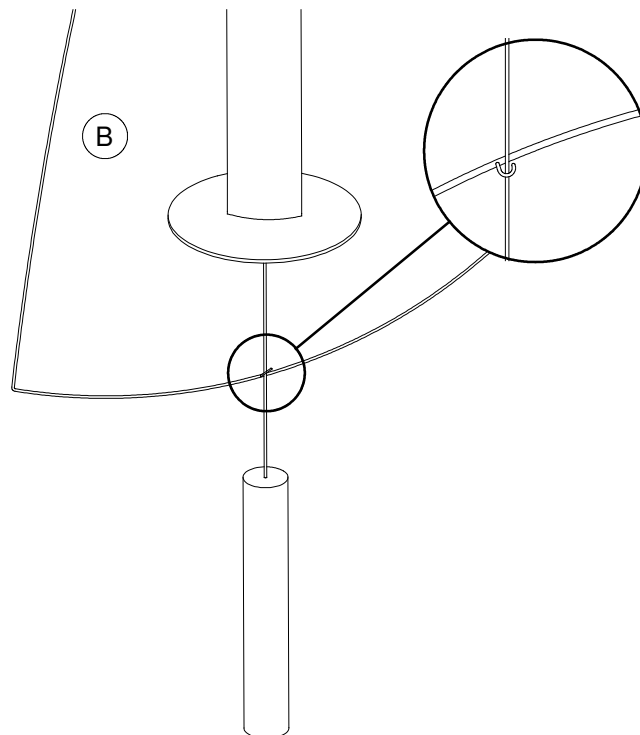




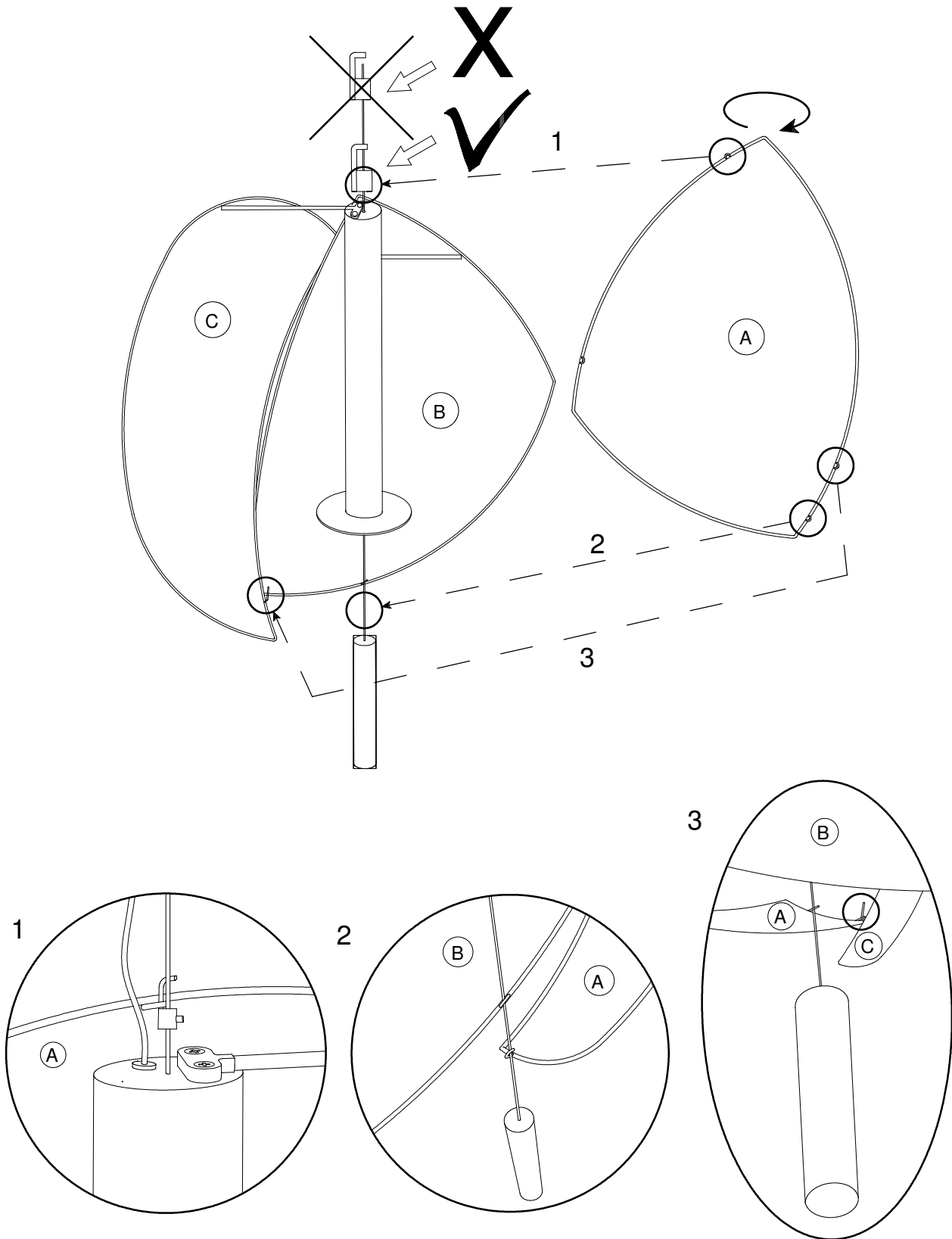
7



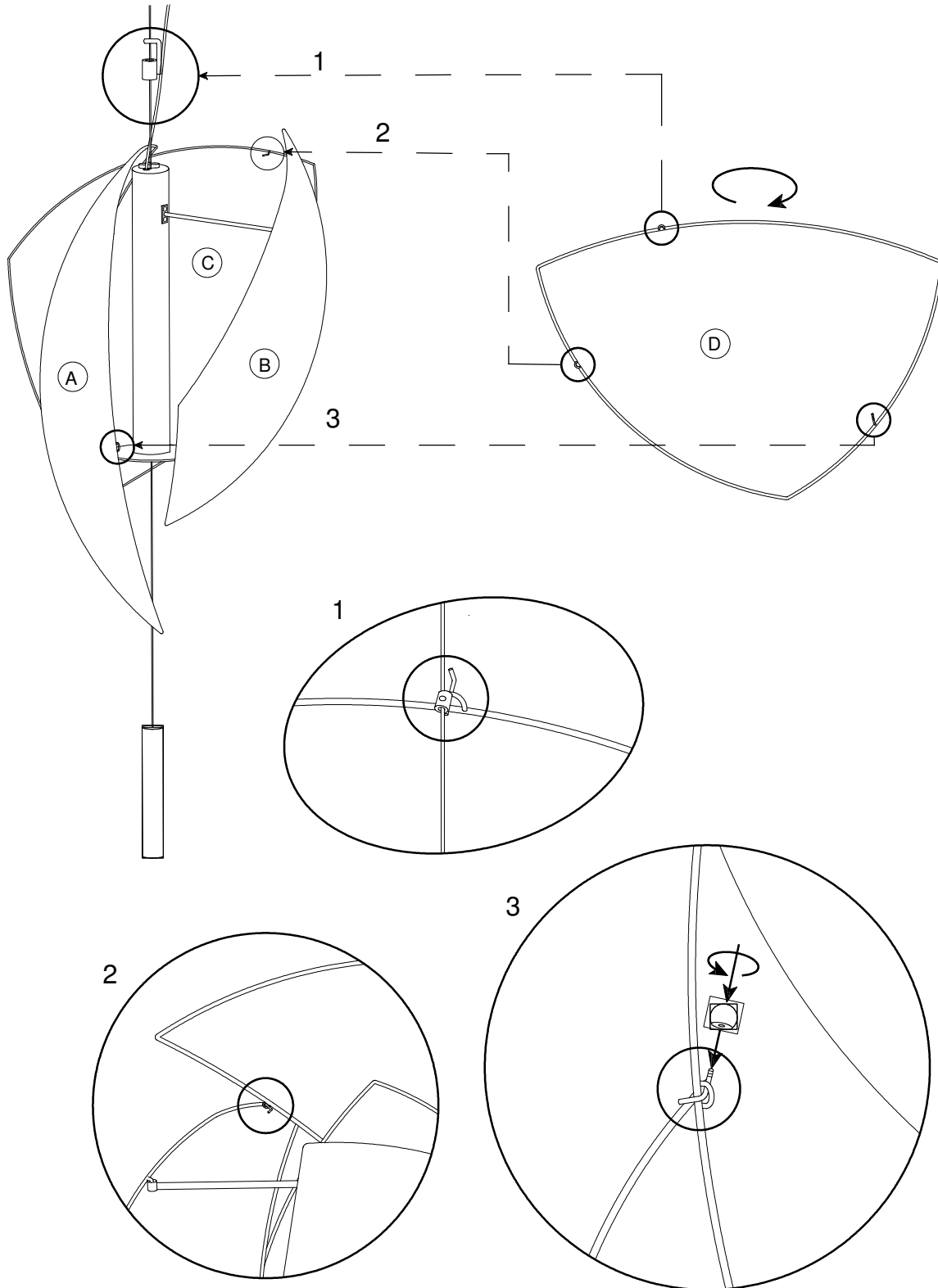
8



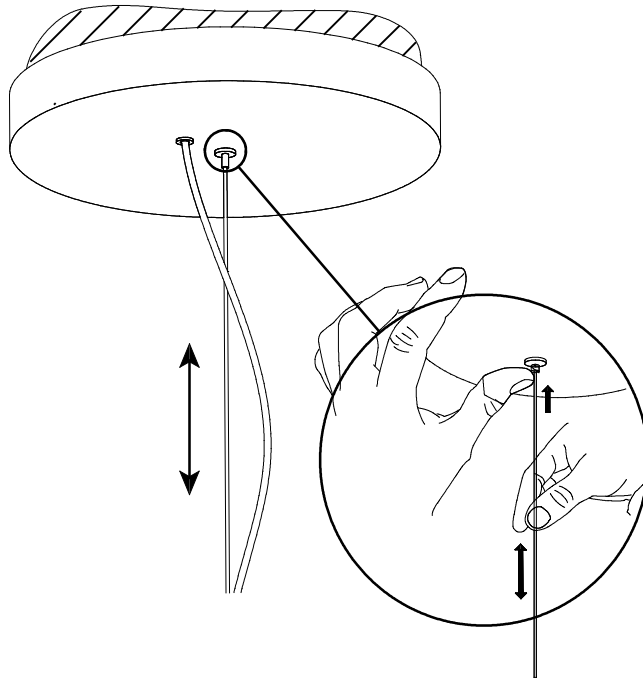
9



10



11



12

