

00-4957-14-M2

V0

PEK Pendant

Designer: Josep Patsi

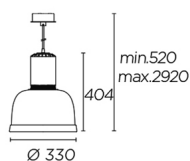


Description

Pendant PEK 35W White IP20 2801lm

	Finish	Material
Structure	White	Aluminium Polycarbonate

 IP20
  0,5m
  MEDIUM 35°
  10



TECHNICAL CHARACTERISTICS

Light source

Lampholder: 1 x G12
 Light source power (W): MAX 35W
 Luminaire total power (W): 43.7W
 Real Lumen: 2801
 Quantity: 1
 Lm/Real W: 64
 UGR: 17.9
 Recommended lamp: G12

GEAR

Gear included: Yes, electronic
 Voltage / Frequency:
 220-240VAC/50-60Hz

Luminaire

Warranty: 2 Years

Logistics

Energy Efficiency: A+
 EAN Code: 8435381427412

Reference	Quantity	Volume (m3)	Weight Kg (packed)
71-3868-14-M2	1.00	0.0260	1.490
71-4028-14-00	1.00		

The photograph may not match the reference exactly. Please read the product description to identify the finish.

OPTIONAL ACCESSORIES



71-3531-60-00

Track connector

Structure material: Polypropylene

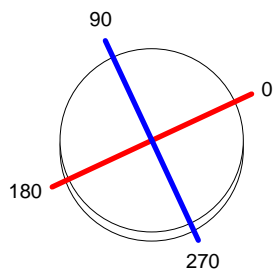
Dimensions: 111 x max 2,5 x 33,5

Net Weight (Kg): 0.25

Luminaire		Measur.		Lamp	
Code	00-4957-14-M2	Code	00-4957-14-M2	Code	CDM-T35W/830
Name	Campana PEK 35W G12 refl. PC	Name	Campana PEK 35W G12 refl. PC	Number	1
Line	Eulumdat	Date	12-11-2014	Position	
Efficiency	84.88%	Coordinate system	CG	Total Flux	3300.00 lm
Maximum value	1555.59 cd	Position	C=0.00 G=0.00	Double Symmetrical	
Round Luminaire	Diam.	330 mm	Height	385 mm	
Round Luminous Area	Diam.	320 mm	Height	180 mm	
Horizontal Luminous Area	0.080425 m2	Emitting area on Plane 180°	0.057600 m2		
Emitting area on Plane 0°	0.057600 m2	Emitting area on Plane 270°	0.057600 m2		
Emitting area on Plane 90°	0.057600 m2	Glare area at 76°	0.075346 m2		
Symmetry Type	Double Symmetrical	Maximum Gamma Angle	180		
Measurement Distance	0.00	Measurement Flux	3300.00 lm		
Operator	Asselum T2	Source voltage			
Temperature	25.00 °C	Source current			
Humidity	60.00 %	Photocell			
Notes					

Luminaire Lamps					
Line	Code	Name	Flux [lm]	Pow. [W]	Q.ty
Eulumdat	CDM-T35W/830	CDM-T35W/830 - 38.00 W	3300.00	38.00	1
C.I.E.	45 89 94 90 85	D DIN 5040	B31		
F UTE	0.76 F + 0.09 T	B NBN	BZ 5 / 0.8 / BZ 4		

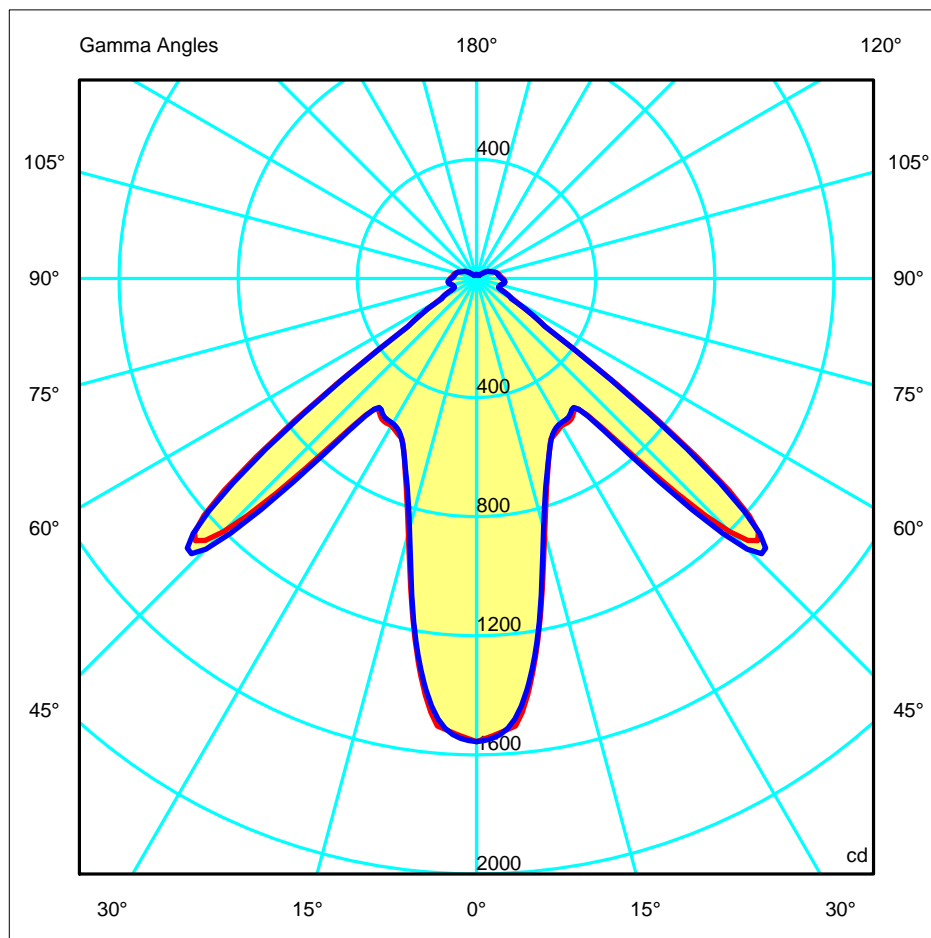
Diam=330mm



C Halfplanes



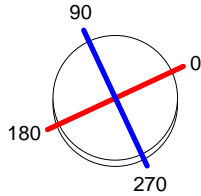
ULOR	8.65 %
DLOR	76.22 %
RN	10.20 %



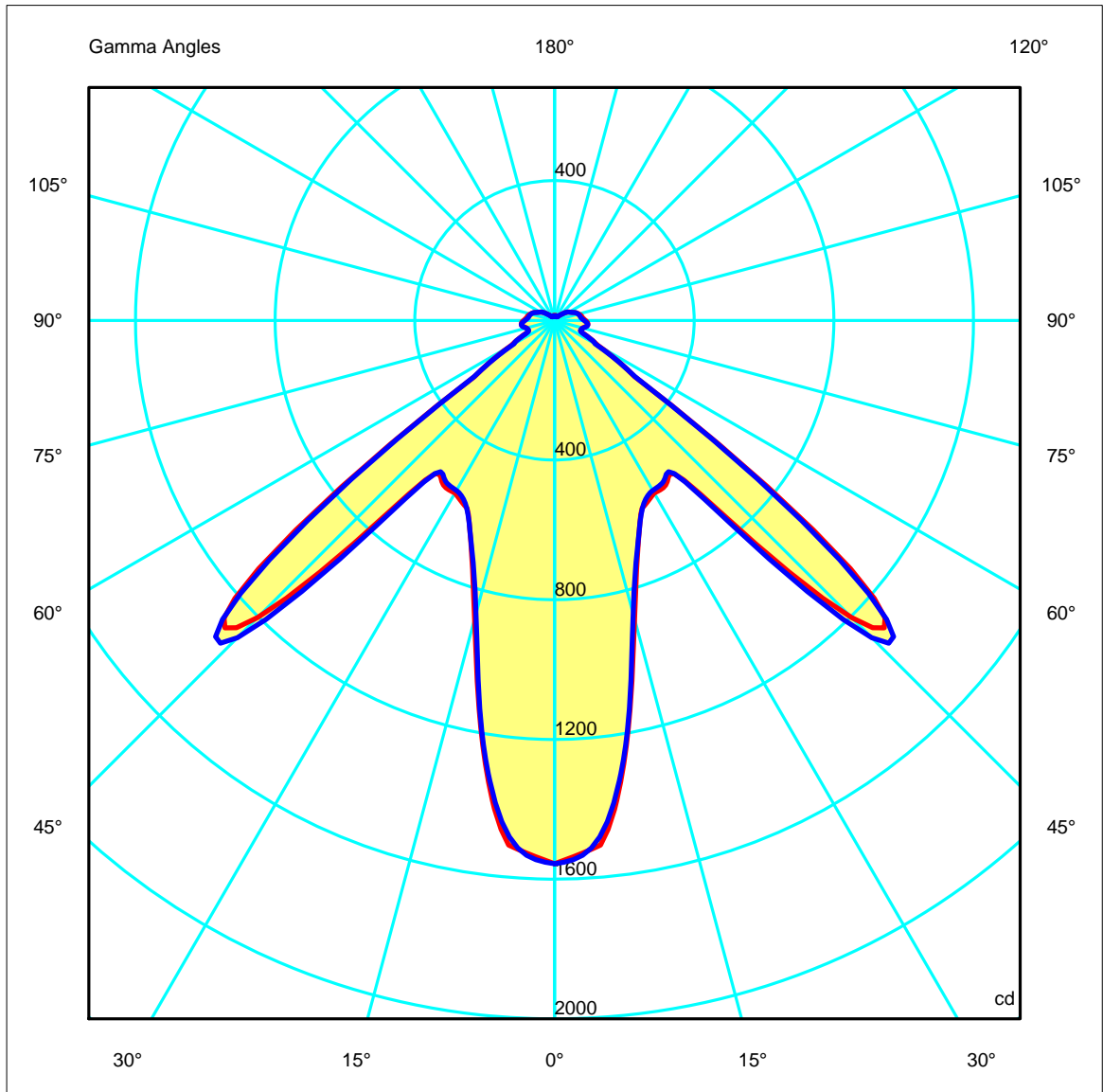
Luminaire		Measur.		Lamp	
Code	00-4957-14-M2	Code	00-4957-14-M2	Code	CDM-T35W/830
Name	Campana PEK 35W G12 refl. PC	Name	Campana PEK 35W G12 refl. PC	Number	1
Line	Eulumat	Date	12-11-2014	Position	
Efficiency	84.88%	Coordinate system	CG	Total Flux	3300.00 lm

Diam=330mm

C Halfplanes



180.0 ————— 0.0
 270.0 ————— 90.0

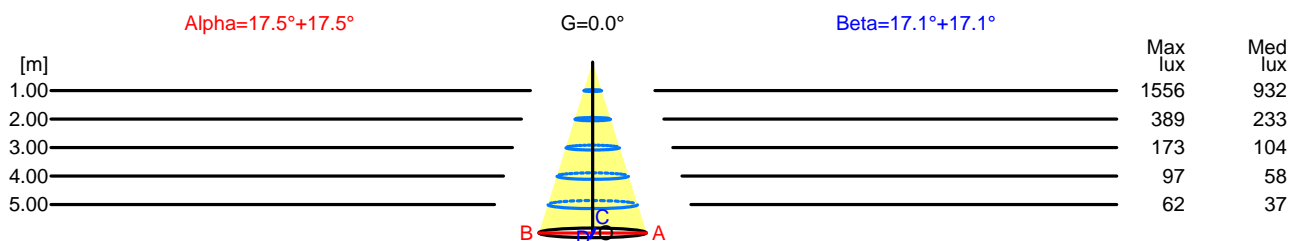


Luminaire		Measur.		Lamp	
Code	00-4957-14-M2	Code	00-4957-14-M2	Code	CDM-T35W/830
Name	Campana PEK 35W G12 refl. PC	Name	Campana PEK 35W G12 refl. PC	Number	1
Line	Eulumdat	Date	12-11-2014	Position	
Efficiency	84.88%	Coordinate system	CG	Total Flux	3300.00 lm

Width at 50.00 % of Max Intensity

H[m]	1.00	2.00	3.00	4.00	5.00	H[m]	1.00	2.00	3.00	4.00	5.00
OA	0.31	0.63	0.94	1.26	1.57	OC	0.31	0.62	0.92	1.23	1.54
OB	0.31	0.63	0.94	1.26	1.57	OD	0.31	0.62	0.92	1.23	1.54

	Luminous Intensities [cd]									
	0	5	15	25	35	45	55	65	75	85
OA	1555.59	1508.26	883.52	593.19	563.01	1203.23	279.16	96.18	83.20	95.55
OB	1555.59	1508.26	883.52	593.19	563.01	1203.23	279.16	96.18	83.20	95.55
OC	1555.59	1484.63	868.49	594.64	551.50	1284.79	281.86	92.47	84.29	94.09
OD	1555.59	1484.63	868.49	594.64	551.50	1284.79	281.86	92.47	84.29	94.09



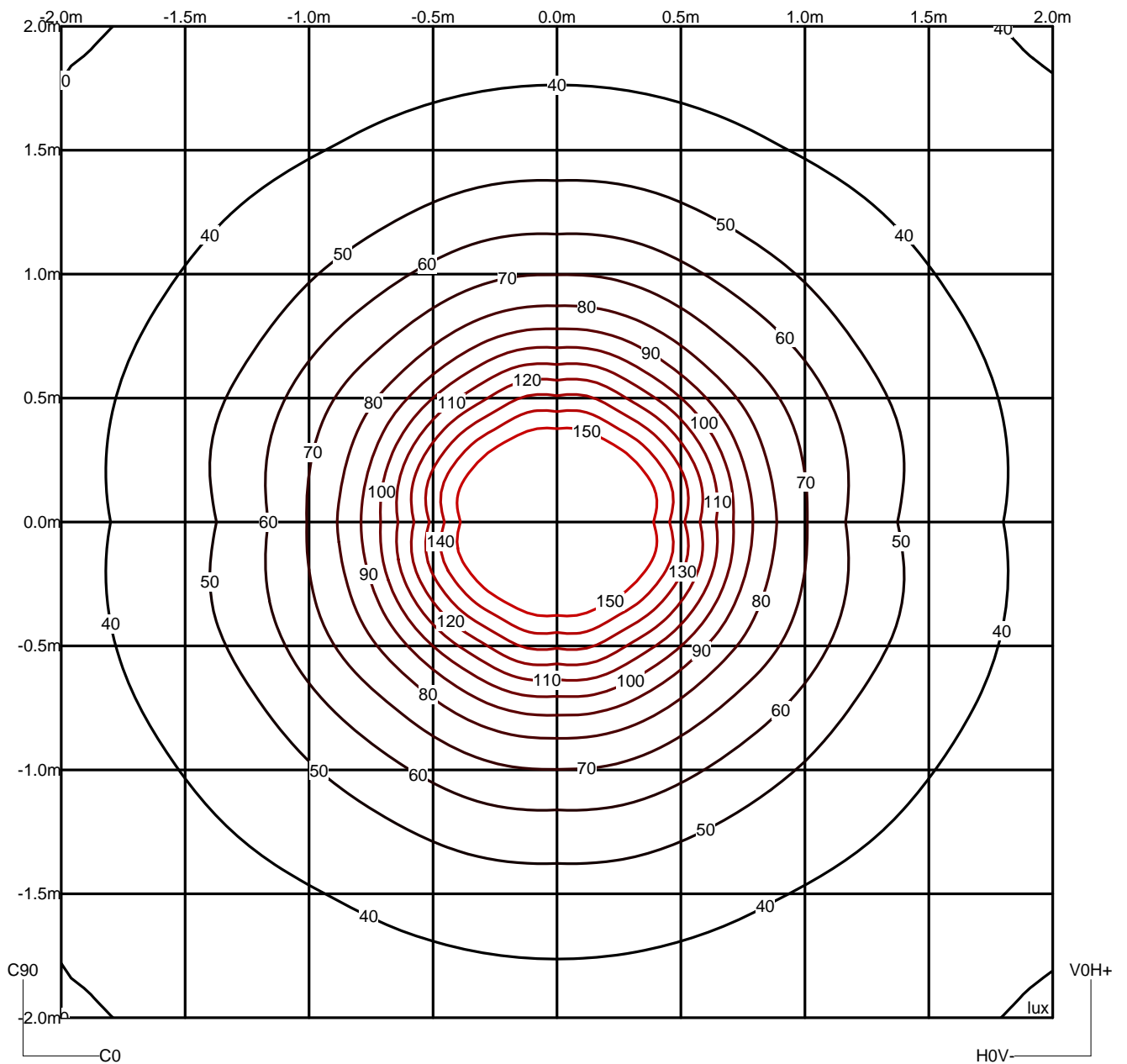
H[m]	D[m]	Max lux	Med lux	Alpha=17.5°+17.5°	G=0.0
1.00	0.63	1556	932		
2.00	1.26	389	233		
3.00	1.89	173	104		
4.00	2.52	97	58		
5.00	3.15	62	37		

H[m]	D[m]	Max lux	Med lux	Beta=17.1°+17.1°	G=0.0
1.00	0.62	1556	932		
2.00	1.23	389	233		
3.00	1.85	173	104		
4.00	2.46	97	58		
5.00	3.08	62	37		

Luminaire		Measur.		Lamp	
Code	00-4957-14-M2	Code	00-4957-14-M2	Code	CDM-T35W/830
Name	Campana PEK 35W G12 refl. PC	Name	Campana PEK 35W G12 refl. PC	Number	1
Line	Eulumdat	Date	12-11-2014	Position	
Efficiency	84.88%	Coordinate system	CG	Total Flux	3300.00 lm

Isolux (Floor)

Luminaire position X=0.00m Y=0.00m Z=3.00m



Luminaire

Code 00-4957-14-M2
 Name Campana PEK 35W G12 refl. PC
 Line Eulumdat

Measur.

Code 00-4957-14-M2
 Name Campana PEK 35W G12 refl. PC
 Date 12-11-2014

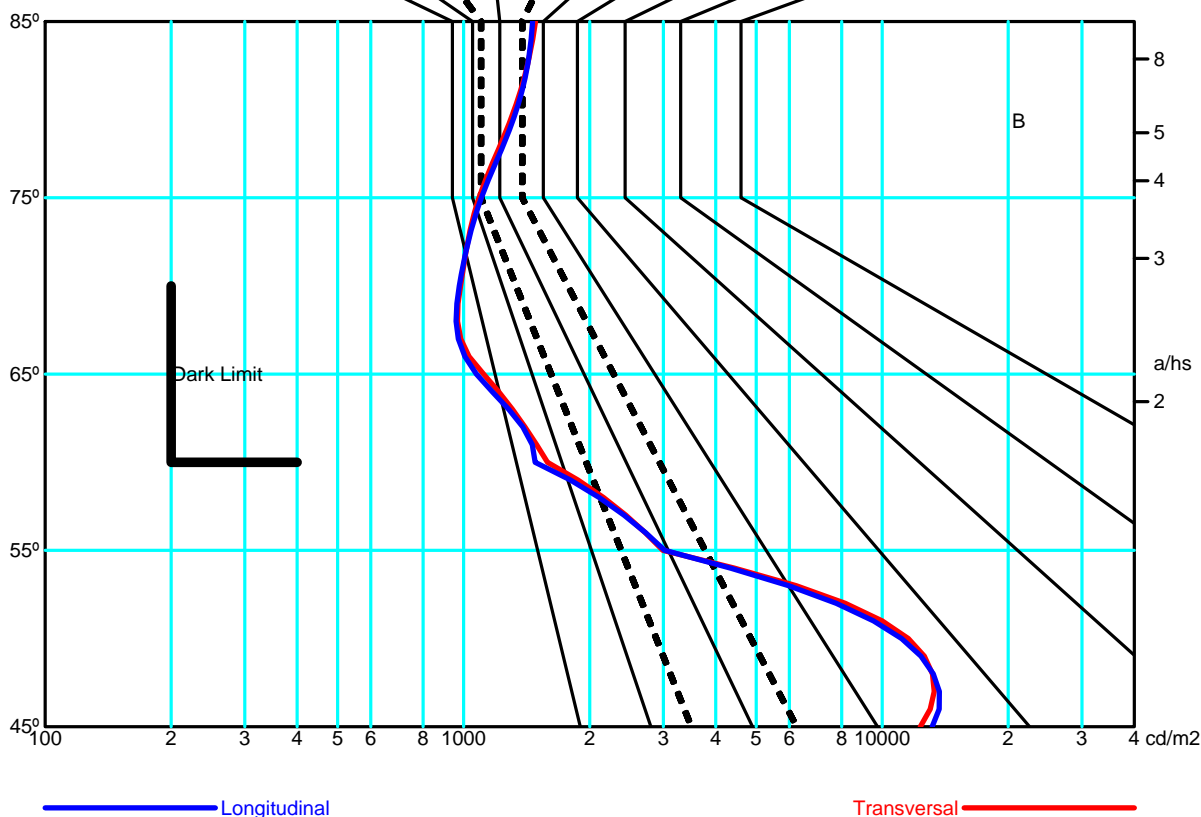
Lamp

Code CDM-T35W/830
 Number 1
 Position

Efficiency 84.88% Coordinate system CG Total Flux 3300.00 lm

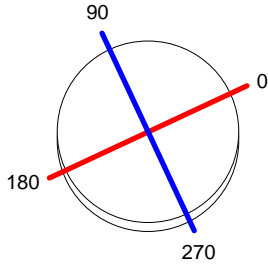
		Average Luminance [cd/m ²]										
		0.0°	45°	50°	55°	60°	65°	70°	75°	80°	85°	
0.0°		12328	11539	2992	1585	1116	983	1088	1321	1484	---	
90.0°		13164	11121	3021	1482	1073	977	1102	1338	1461	---	

Flush mounted or transversal view												
		Illumination(lx)										
A	A	2000	1000	750	500		<300				1.15	
B	1		2000	1500	1000	750	500	<300			1.5	
C					2000		1000	500	<300		1.85	
D	2						2000	1000	500	<300	2.2	
E	3							2000	1000	500	<300	2.55

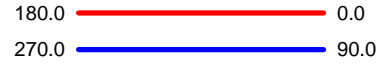


Luminaire		Measur.		Lamp	
Code	00-4957-14-M2	Code	00-4957-14-M2	Code	CDM-T35W/830
Name	Campana PEK 35W G12 refl. PC	Name	Campana PEK 35W G12 refl. PC	Number	1
Line	Eulumdat	Date	12-11-2014	Position	
Efficiency	84.88%	Coordinate system	CG	Total Flux	3300.00 lm

Diam=330mm



C Halfplanes



Luminaire		Measur.		Lamp	
Code	00-4957-14-M2	Code	00-4957-14-M2	Code	CDM-T35W/830
Name	Campana PEK 35W G12 refl. PC	Name	Campana PEK 35W G12 refl. PC	Number	1
Line	Eulumat	Date	12-11-2014	Position	
Efficiency	84.88%	Coordinate system	CG	Total Flux	3300.00 lm

UGR
S = 0.250

Reflectancies										
Ceiling/Cavity	0.7	0.7	0.5	0.5	0.3	0.7	0.7	0.5	0.5	0.3
Walls	0.5	0.3	0.5	0.3	0.3	0.5	0.3	0.5	0.3	0.3
WorkingPlane	0.2	0.2	0.2	0.2	0.2	0.2	0.2	0.2	0.2	0.2
RoomDimensions	ViewedCrosswise					ViewedEndwise				
x=2H y=2H	18.4	19.6	18.9	20.0	20.1	18.1	19.3	18.5	19.7	20.1
x=2H y=3H	18.4	19.4	18.8	19.9	20.0	18.0	19.1	18.5	19.5	20.0
x=2H y=4H	18.4	19.4	18.9	19.8	20.0	18.0	19.0	18.5	19.5	20.0
x=2H y=6H	18.5	19.4	19.0	19.9	20.1	18.2	19.1	18.7	19.6	20.1
x=2H y=8H	18.6	19.5	19.1	20.0	20.2	18.3	19.2	18.8	19.7	20.2
x=2H y=12H	18.8	19.6	19.3	20.1	20.3	18.4	19.3	19.0	19.8	20.3
x=4H y=2H	18.3	19.3	18.8	19.7	19.9	17.9	18.9	18.4	19.4	19.9
x=4H y=3H	18.3	19.1	18.8	19.6	19.8	17.9	18.8	18.5	19.3	19.8
x=4H y=4H	18.4	19.1	18.9	19.6	19.9	18.1	18.8	18.6	19.3	19.9
x=4H y=6H	18.6	19.3	19.2	19.8	20.1	18.3	19.0	18.9	19.5	20.1
x=4H y=8H	18.8	19.4	19.4	20.0	20.3	18.5	19.1	19.1	19.7	20.3
x=4H y=12H	19.1	19.6	19.7	20.2	20.6	18.8	19.4	19.4	19.9	20.6
x=8H y=4H	18.3	18.9	18.9	19.5	19.8	18.1	18.6	18.6	19.2	19.8
x=8H y=6H	18.7	19.2	19.4	19.8	20.2	18.5	19.0	19.1	19.6	20.2
x=8H y=8H	19.0	19.5	19.7	20.1	20.6	18.8	19.3	19.4	19.9	20.6
x=8H y=12H	19.5	19.9	20.1	20.5	21.0	19.2	19.6	19.9	20.3	21.0
x=12H y=4H	18.3	18.9	18.9	19.5	19.8	18.0	18.6	18.6	19.2	19.8
x=12H y=6H	18.8	19.2	19.4	19.8	20.3	18.5	19.0	19.2	19.6	20.3
x=12H y=8H	19.1	19.5	19.8	20.2	20.7	18.9	19.3	19.6	20.0	20.7

Luminaire

Code 00-4957-14-M2
 Name Campana PEK 35W G12 refl. PC
 Line Eulumdat

Measur.

Code 00-4957-14-M2
 Name Campana PEK 35W G12 refl. PC
 Date 12-11-2014

Lamp

Code CDM-T35W/830
 Number 1
 Position

Efficiency 84.88% Coordinate system CG Total Flux 3300.00 lm

Total Flux=3300.00 Luminaire Flux=2800.94

RI	0.60	0.80	1.00	1.25	1.50	2.00	2.50	3.00	4.00	5.00	10.00	20.00
DRR	0.25	0.37	0.46	0.55	0.61	0.69	0.74	0.78	0.82	0.84	0.89	0.92
RC	6	5	5	5	5	4	5	5	5	6	7	7

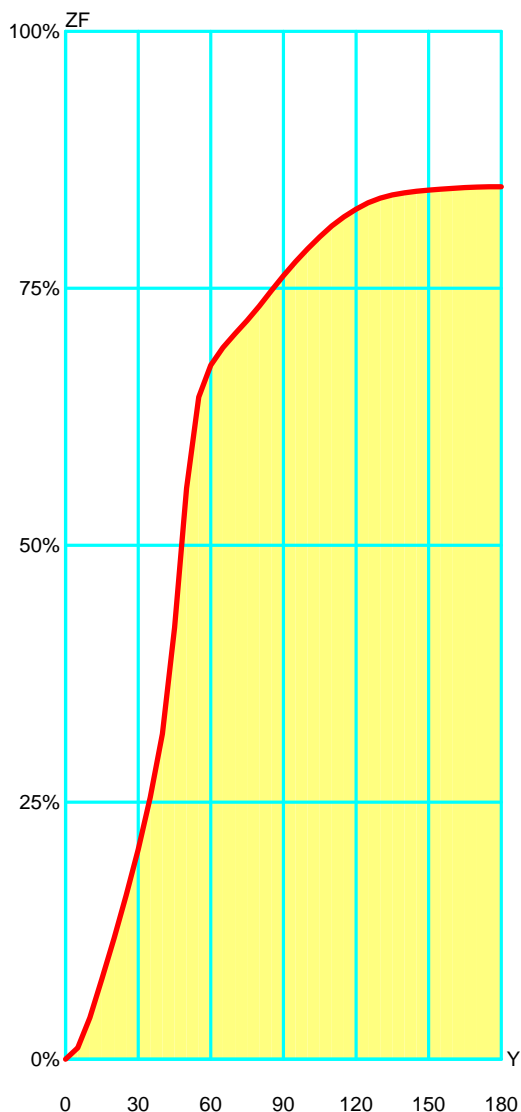
Zonal Flux per 1000 Lumen

Y°	10	20	30	40	50	60	70	80	90	100	110	120	130	140	150	160	170	180
ZF(Y)	41	118	204	317	556	675	706	733	762	788	811	827	838	843	845	847	848	849

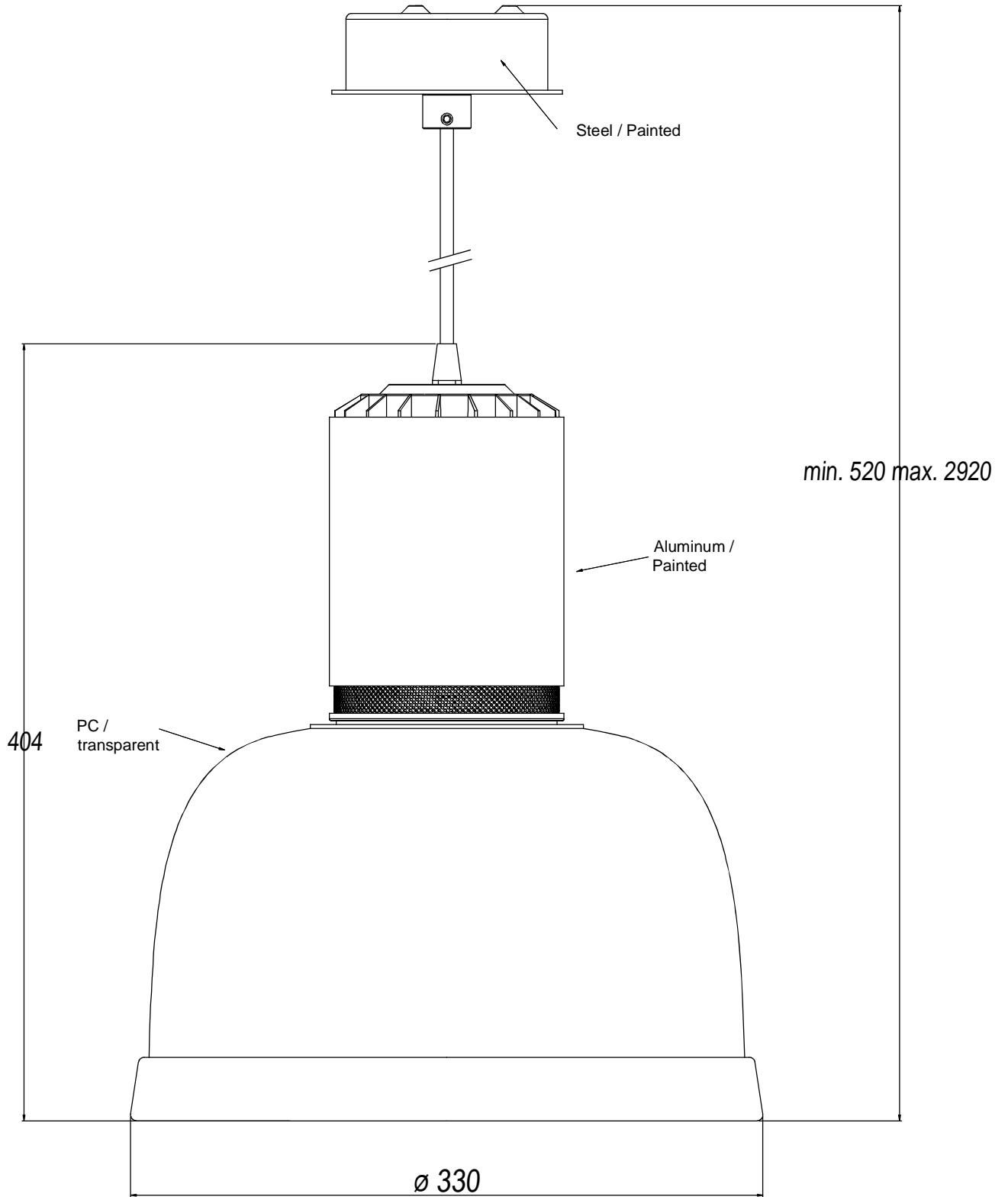
CIE Flux Codes

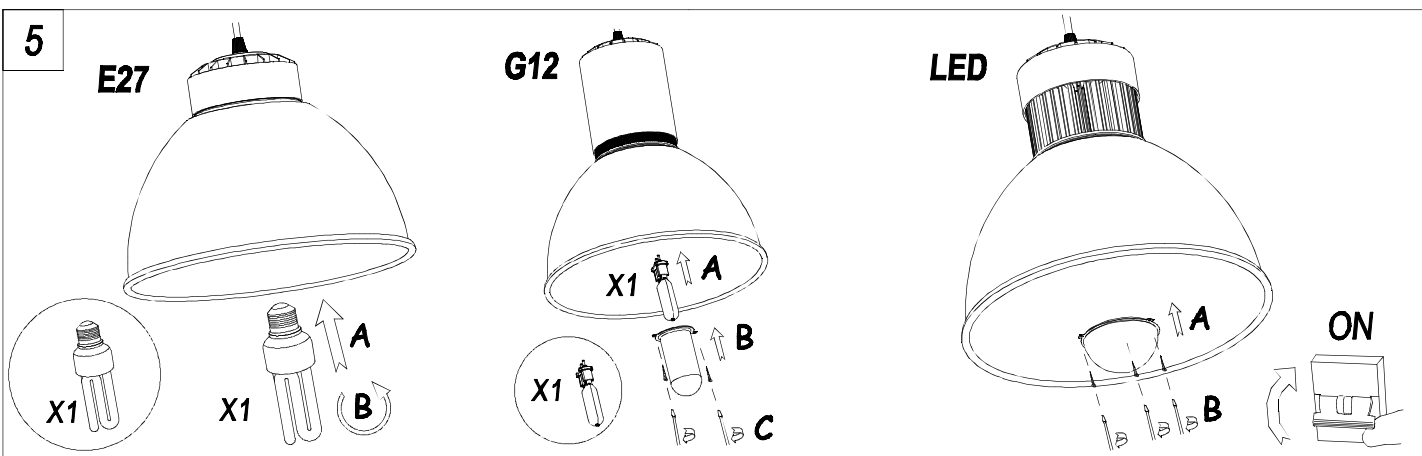
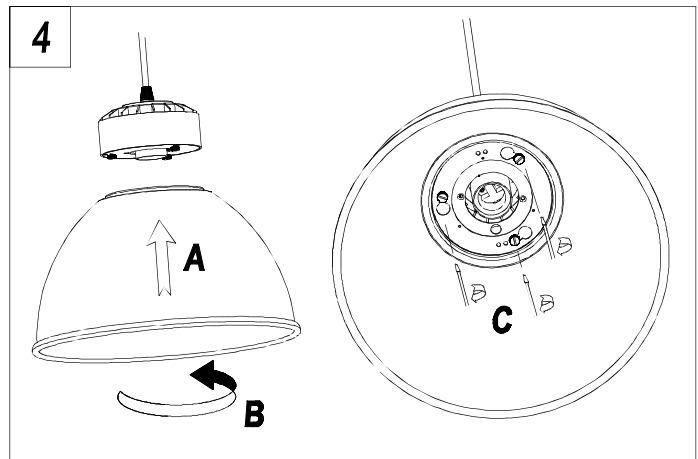
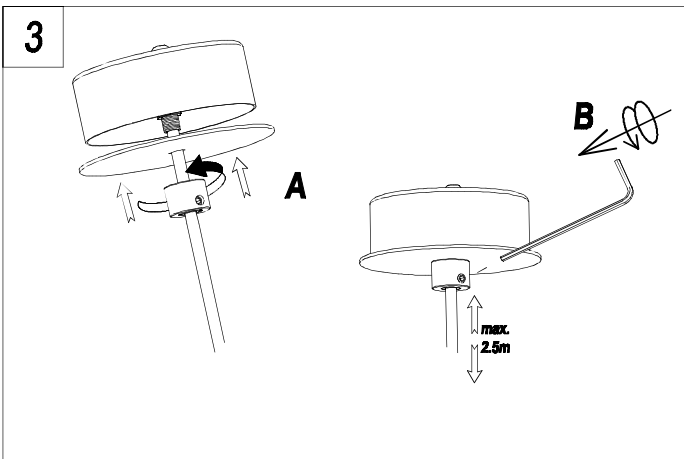
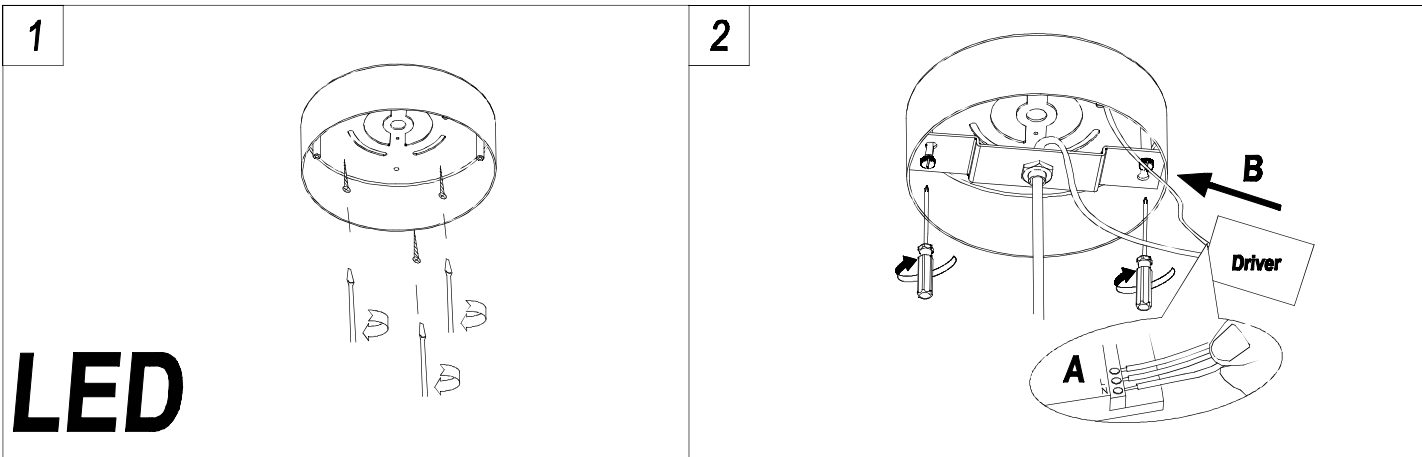
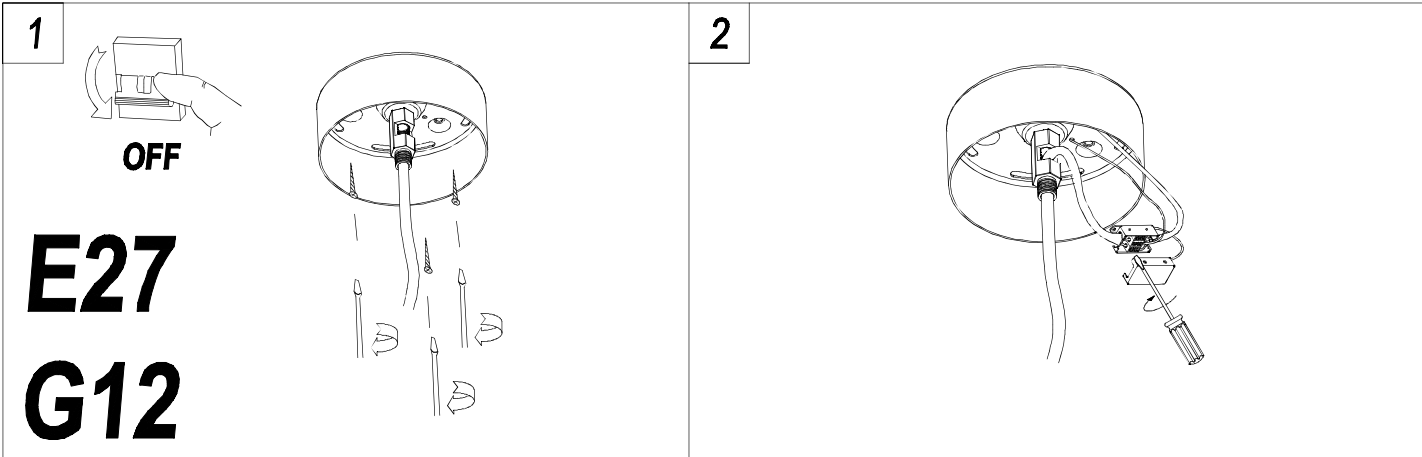
45 89 94 90 85

C.I.E.	6/5/5/5/4/5/5/5/6/7/7	LOR	84.87702 %
D DIN 5040	B31	ULOR	8.65406 %
F UTE	0.76 F + 0.09 T	DLOR	76.22296 %
B NBN	BZ 5 / 0.8 / BZ 4	UFF	10.19600 %
RN	10.19600 %	DFF	89.80400 %
BLF	1.0	FFR	11.35361 %



Zonal Flux				
Gamma °	Flux	Sum lm	Flux [%]	Sum [%]
0°	0.00	0.00	0.00%	0.00%
5°	11.07	11.07	1.30%	1.30%
10°	29.48	40.54	3.47%	4.78%
15°	37.66	78.20	4.44%	9.21%
20°	39.42	117.63	4.64%	13.86%
25°	41.51	159.13	4.89%	18.75%
30°	45.04	204.17	5.31%	24.06%
35°	50.53	254.70	5.95%	30.01%
40°	61.83	316.53	7.28%	37.29%
45°	103.32	419.85	12.17%	49.47%
50°	135.75	555.60	15.99%	65.46%
55°	88.50	644.10	10.43%	75.89%
60°	31.03	675.13	3.66%	79.54%
65°	17.21	692.34	2.03%	81.57%
70°	13.43	705.77	1.58%	83.15%
75°	12.84	718.61	1.51%	84.66%
80°	13.97	732.58	1.65%	86.31%
85°	14.94	747.52	1.76%	88.07%
90°	14.71	762.23	1.73%	89.80%
95°	13.62	775.85	1.61%	91.41%
100°	12.57	788.42	1.48%	92.89%
105°	11.65	800.07	1.37%	94.26%
110°	10.49	810.56	1.24%	95.50%
115°	8.99	819.55	1.06%	96.56%
120°	7.46	827.02	0.88%	97.44%
125°	6.10	833.11	0.72%	98.16%
130°	4.57	837.68	0.54%	98.69%
135°	3.08	840.76	0.36%	99.06%
140°	2.07	842.82	0.24%	99.30%
145°	1.50	844.32	0.18%	99.48%
150°	1.17	845.49	0.14%	99.61%
155°	0.96	846.45	0.11%	99.73%
160°	0.81	847.26	0.09%	99.82%
165°	0.66	847.92	0.08%	99.90%
170°	0.49	848.41	0.06%	99.96%
175°	0.28	848.68	0.03%	99.99%
180°	0.09	848.77	0.01%	100.00%



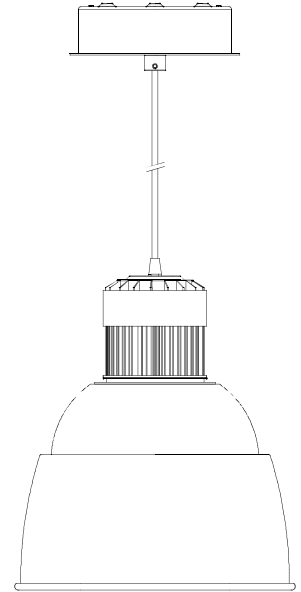
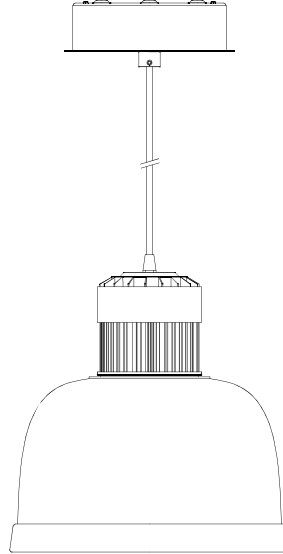
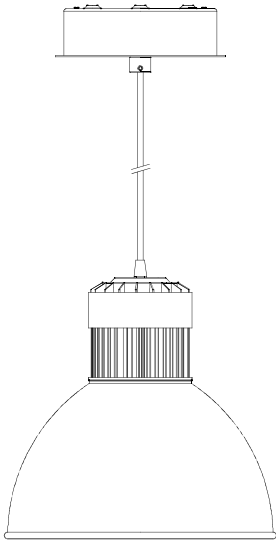


71-3867-14-00

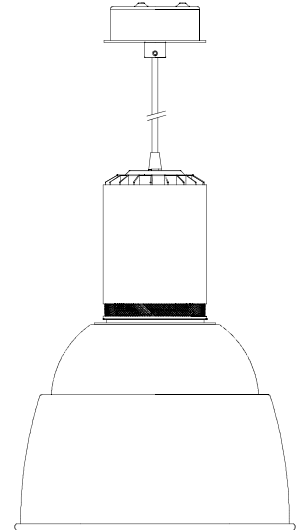
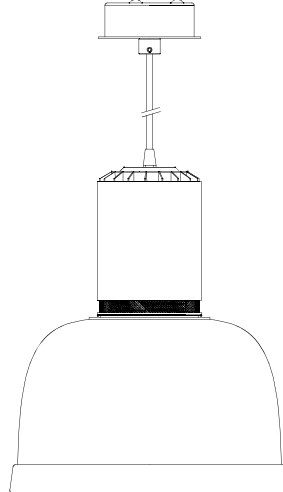
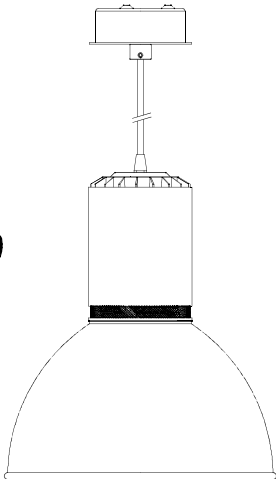
71-3868-00-M2

71-3869-14-B9

LED
71-3858-14-00



G12
71-3859-14-00



E27
71-3864-14-00

