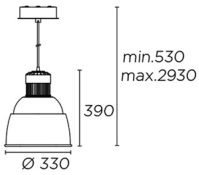


## 00-4952-14-B9V0

### PEK Pendant

Designer: Josep Patsi



#### Description

Pendant PEK 53.2W 4000K CRI 80 White IP20 3790lm

	Finish	Material
Structure	White	Aluminium



#### TECHNICAL CHARACTERISTICS

##### Light source

Light source: LED CREE  
 Light source power (W): 53.2W  
 Luminaire total power (W): 55W  
 Color temperature: LED neutral-white  
 4000K  
 CRI: 80  
 Photobiological risk: RG1  
 Real Lumen: 3790  
 Qty Leds: 1  
 Lm/Real W: 69  
 Life Time: 50.000 L80B20  
 Bin / Grup: 40H  
 MacAdam steps: 2  
 UGR: 15.4

##### GEAR

Brand: HEP  
 Gear included: Yes, electronic  
 Voltage / Frequency:  
 100-240VAC/50-60Hz  
 Power Factor: 0.91

##### Luminaire

Warranty: 2 Years

##### Logistics

Energy Efficiency: LED A++  
 EAN Code: 8435381427368

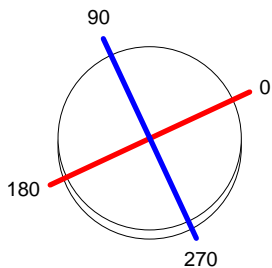
Reference	Quantity	Volume (m3)	Weight Kg (packed)
71-3869-14-B9	1.00	0.0370	2.250
71-4026-14-00	1.00	0.0120	3.020

The photograph may not match the reference exactly. Please read the product description to identify the finish.

<b>Luminaire</b>		<b>Measur.</b>		<b>Lamp</b>	
Code	00-4952-14-B9	Code	00-4946-14-B9	Code	L4952 53.2W 80 4000K
Name	Campana PEK 840 52.3Wglass+alu	Name	Campana PEK 840 52.3Wglass+alu	Number	1
Line	Eulumdat	Date	12-11-2014	Position	
Efficiency	100.00%	Coordinate system	CG	Total Flux	3790.10 lm
Maximum value	1794.65 cd	Position	C=0.00 G=0.00	Double Symmetrical	
Round Luminaire	Diam.	330 mm	Height	380 mm	
Round Luminous Area	Diam.	310 mm	Height	0 mm	
Horizontal Luminous Area	0.075477 m2		Emitting area on Plane 180°	0.000000 m2	
Emitting area on Plane 0°	0.000000 m2		Emitting area on Plane 270°	0.000000 m2	
Emitting area on Plane 90°	0.000000 m2		Glare area at 76°	0.018259 m2	
Symmetry Type	Double Symmetrical	Maximum Gamma Angle	180		
Measurement Distance	0.00	Measurement Flux	3790.10 lm		
Operator	Asselum T2	Source voltage			
Temperature	25.00 °C	Source current			
Humidity	60.00 %	Photocell			
Notes					

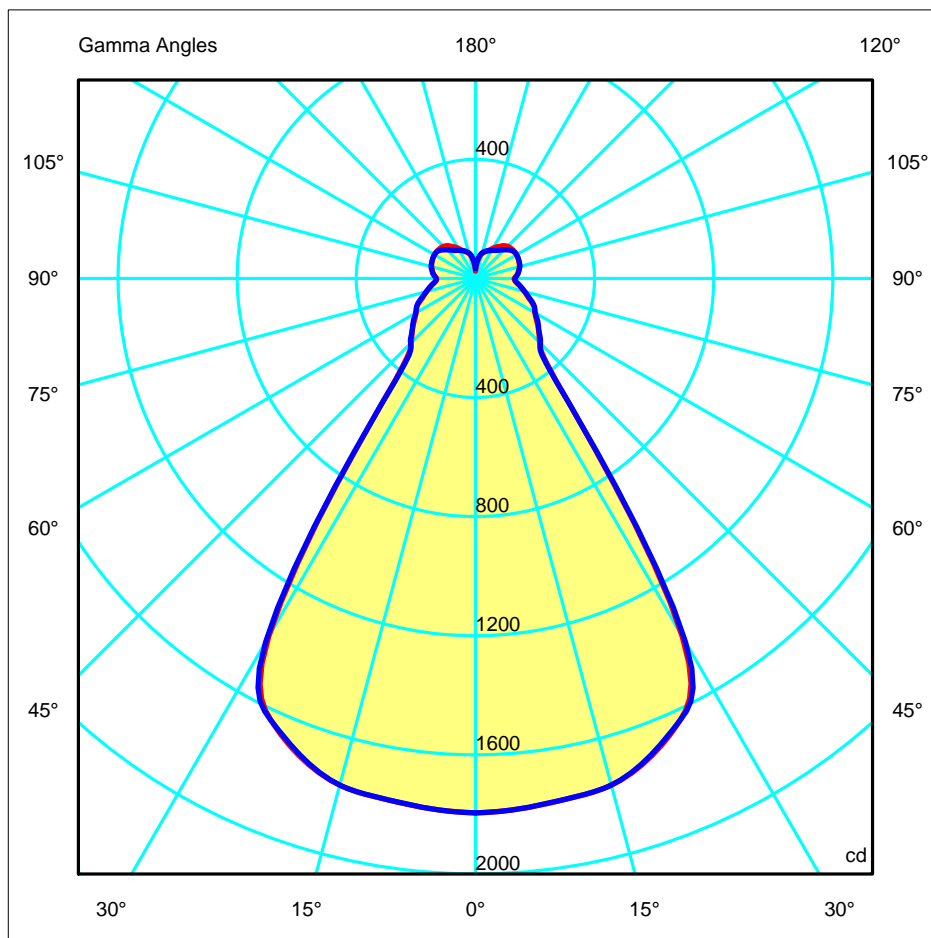
Luminaire Lamps					
Line	Code	Name	Flux [lm]	Pow. [W]	Q.ty
Eulumdat	L4952 53.2W 80 4000K	L4952 53.2W 80 4000K - 53.00 W	3790.10	53.00	1
C.I.E.	67 81 92 77 100	D DIN 5040	B51		
F UTE	0.77 C + 0.23 T	B NBN	BZ 2 / 1 / BZ 3 / 2.5 / BZ 4		

Diam=330mm



C Halfplanes  
 180.0 — 0.0  
 270.0 — 90.0

ULOR 23.32 %  
 DLOR 76.68 %  
 RN 23.32 %

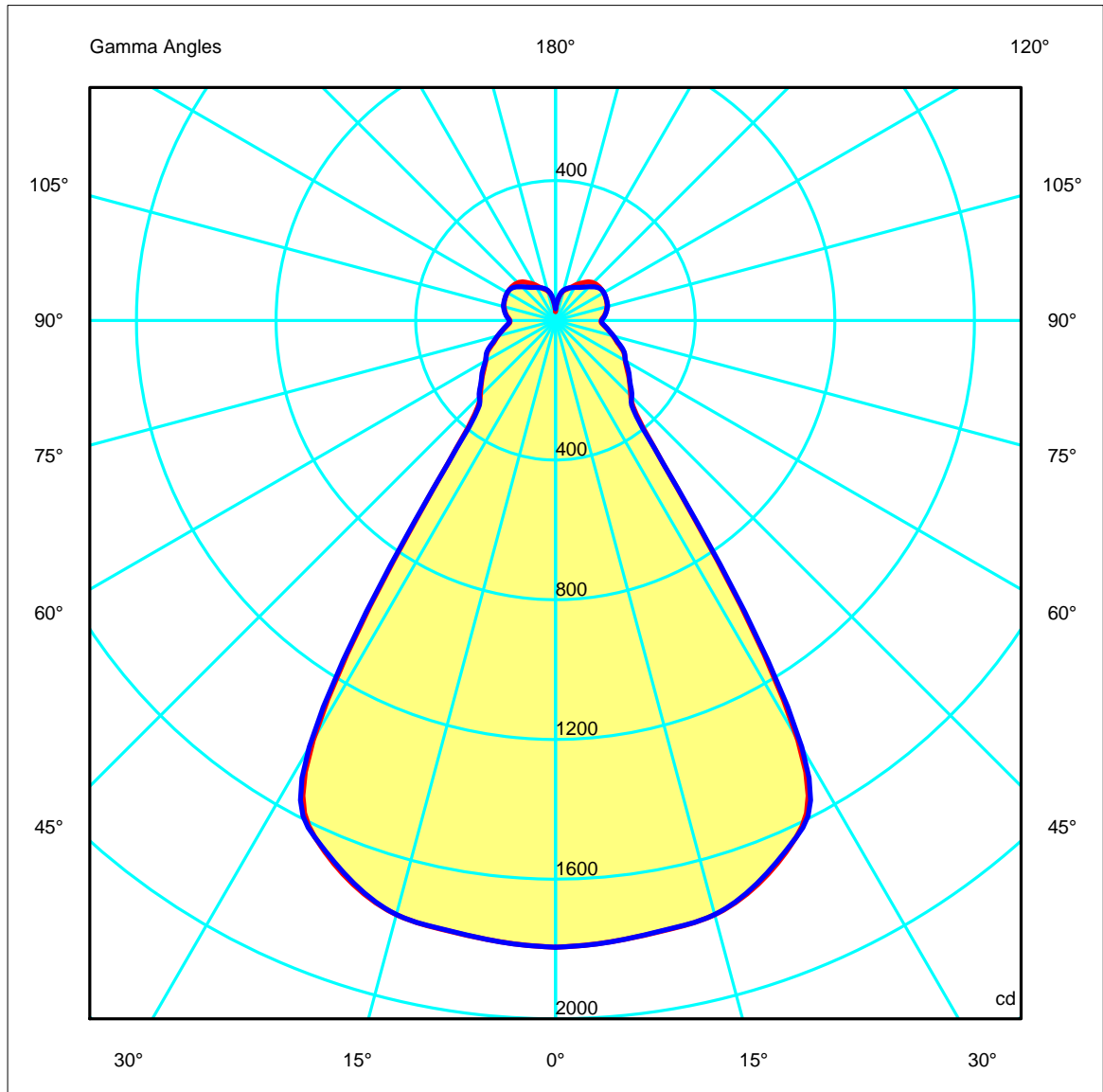
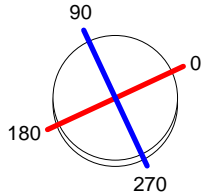


<b>Luminaire</b>		<b>Measur.</b>		<b>Lamp</b>	
Code	00-4952-14-B9	Code	00-4946-14-B9	Code	L4952 53.2W 80 4000K
Name	Campana PEK 840 52.3Wglass+alu	Name	Campana PEK 840 52.3Wglass+alu	Number	1
Line	Eulmdat	Date	12-11-2014	Position	
Efficiency	100.00%	Coordinate system	CG	Total Flux	3790.10 lm

Diam=330mm

C Halfplanes

180.0 ——— 0.0  
 270.0 ——— 90.0



<b>Luminaire</b>	<b>Measur.</b>	<b>Lamp</b>
Code 00-4952-14-B9	Code 00-4946-14-B9	Code L4952 53.2W 80 4000K
Name Campana PEK 840 52.3Wglass+alu	Name Campana PEK 840 52.3Wglass+alu	Number 1
Line Eulumdat	Date 12-11-2014	Position

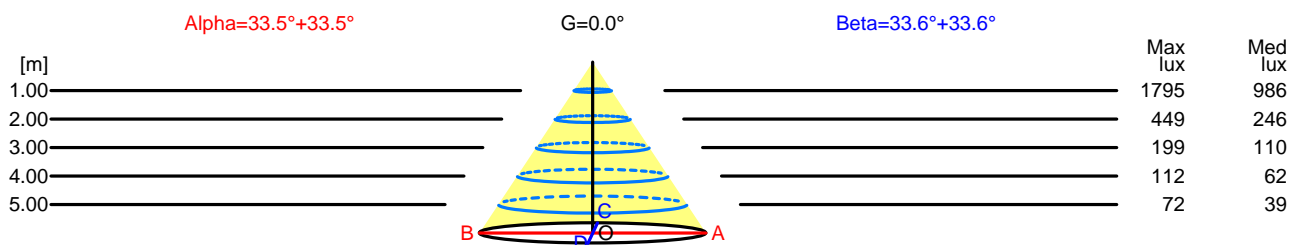
Efficiency 100.00%	Coordinate system CG	Total Flux 3790.10 lm
--------------------	----------------------	-----------------------

Width at 50.00 % of Max Intensity

	H[m]	1.00	2.00	3.00	4.00	5.00		H[m]	1.00	2.00	3.00	4.00	5.00
	OA	0.66	1.33	1.99	2.65	3.31		OC	0.67	1.33	2.00	2.66	3.33
	OB	0.66	1.33	1.99	2.65	3.31		OD	0.67	1.33	2.00	2.66	3.33

Luminous Intensities [ cd ]

	0	5	15	25	35	45	55	65	75	85
OA	1794.65	1786.65	1761.56	1631.61	697.23	304.52	251.65	215.49	170.56	136.18
OB	1794.65	1786.65	1761.56	1631.61	697.23	304.52	251.65	215.49	170.56	136.18
OC	1794.65	1786.70	1760.88	1632.21	707.32	308.79	255.95	217.36	171.60	137.49
OD	1794.65	1786.70	1760.88	1632.21	707.32	308.79	255.95	217.36	171.60	137.49



H[m]	D[m]	Max lux	Med lux	Alpha=33.5°+33.5°	G=0.0
1.00	1.33	1795	986		
2.00	2.65	449	246		
3.00	3.98	199	110		
4.00	5.30	112	62		
5.00	6.63	72	39		

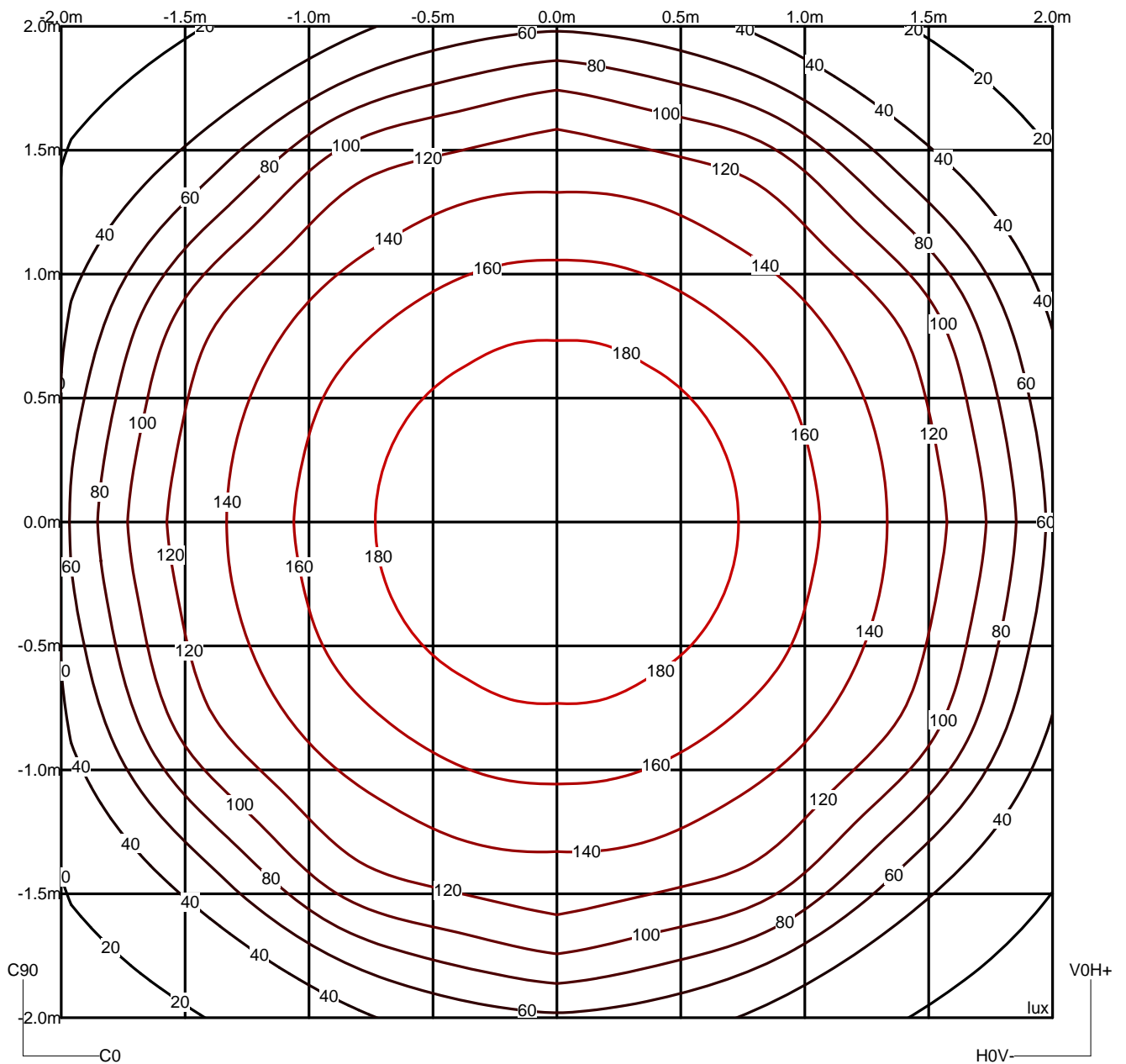
H[m]	D[m]	Max lux	Med lux	Beta=33.6°+33.6°	G=0.0
1.00	1.33	1795	986		
2.00	2.66	449	246		
3.00	3.99	199	110		
4.00	5.32	112	62		
5.00	6.65	72	39		

<b>Luminaire</b>	<b>Measuram.</b>	<b>Lamp</b>
Code 00-4952-14-B9	Code 00-4946-14-B9	Code L4952 53.2W 80 4000K
Name Campana PEK 840 52.3Wglass+alu	Name Campana PEK 840 52.3Wglass+alu	Number 1
Line Eulumdat	Date 12-11-2014	Position

Efficiency 100.00%	Coordinate system CG	Total Flux 3790.10 lm
--------------------	----------------------	-----------------------

Isolux (Floor)

Luminaire position X=0.00m Y=0.00m Z=3.00m



**Luminaire**

Code 00-4952-14-B9  
 Name Campana PEK 840 52.3Wglass+alu  
 Line Eulumdat

**Measur.**

Code 00-4946-14-B9  
 Name Campana PEK 840 52.3Wglass+alu  
 Date 12-11-2014

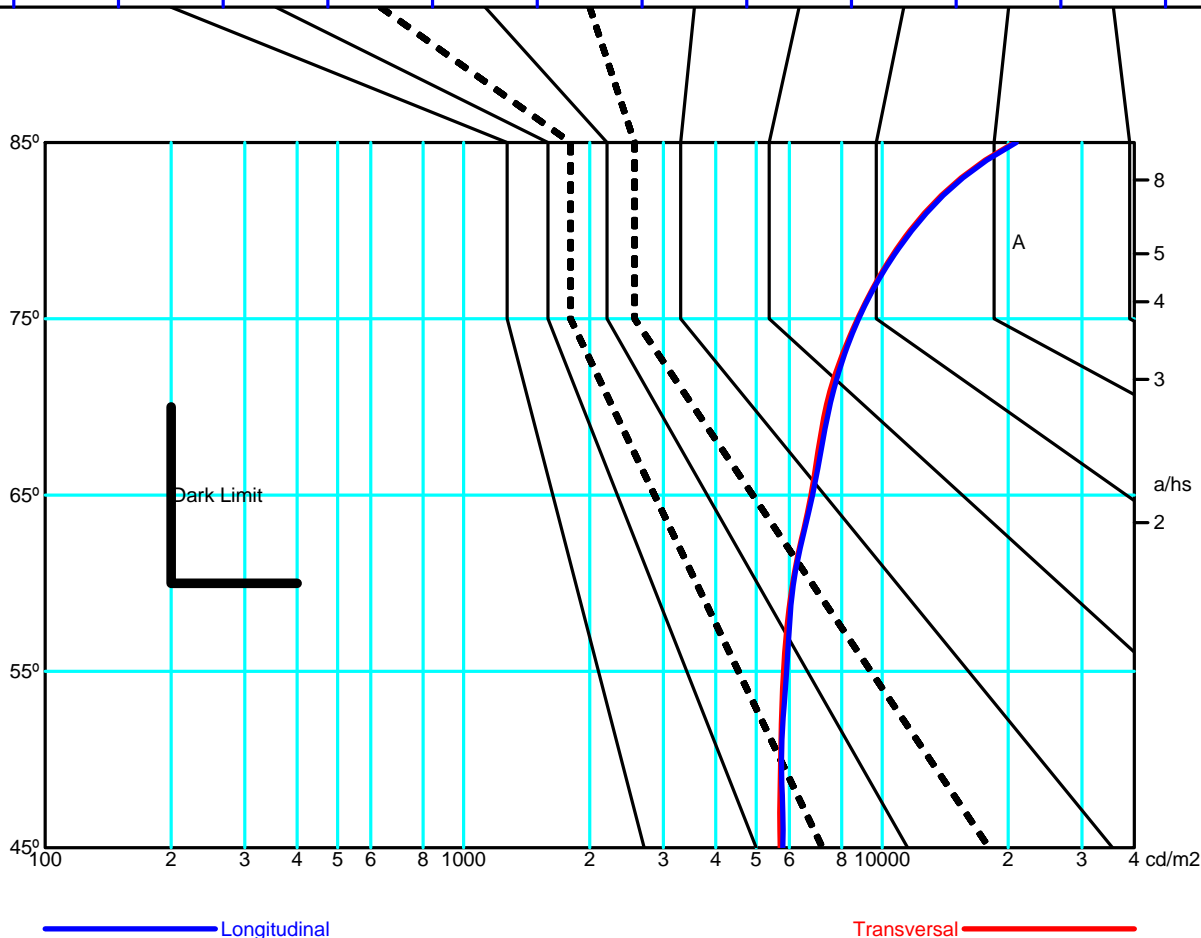
**Lamp**

Code L4952 53.2W 80 4000K  
 Number 1  
 Position

Efficiency 100.00%      Coordinate system CG      Total Flux 3790.10 lm

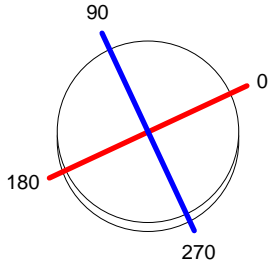
		Average Luminance [cd/m <sup>2</sup> ]										
		0.0°	45°	50°	55°	60°	65°	70°	75°	80°	85°	
0.0°	90.0°	5706	5714	5813	6107	6756	7339	8731	11644	20701	---	
		5786	5745	5912	6141	6814	7482	8784	11759	20901	---	

Flush mounted or longitudinal view												
		Illumination(lx)										
A	A	2000	1000	750	500		<300				1.15	
B	1		2000	1500	1000	750	500	<300			1.5	
C					2000		1000	500	<300		1.85	
D	2						2000	1000	500	<300	2.2	
E	3							2000	1000	500	<300	2.55



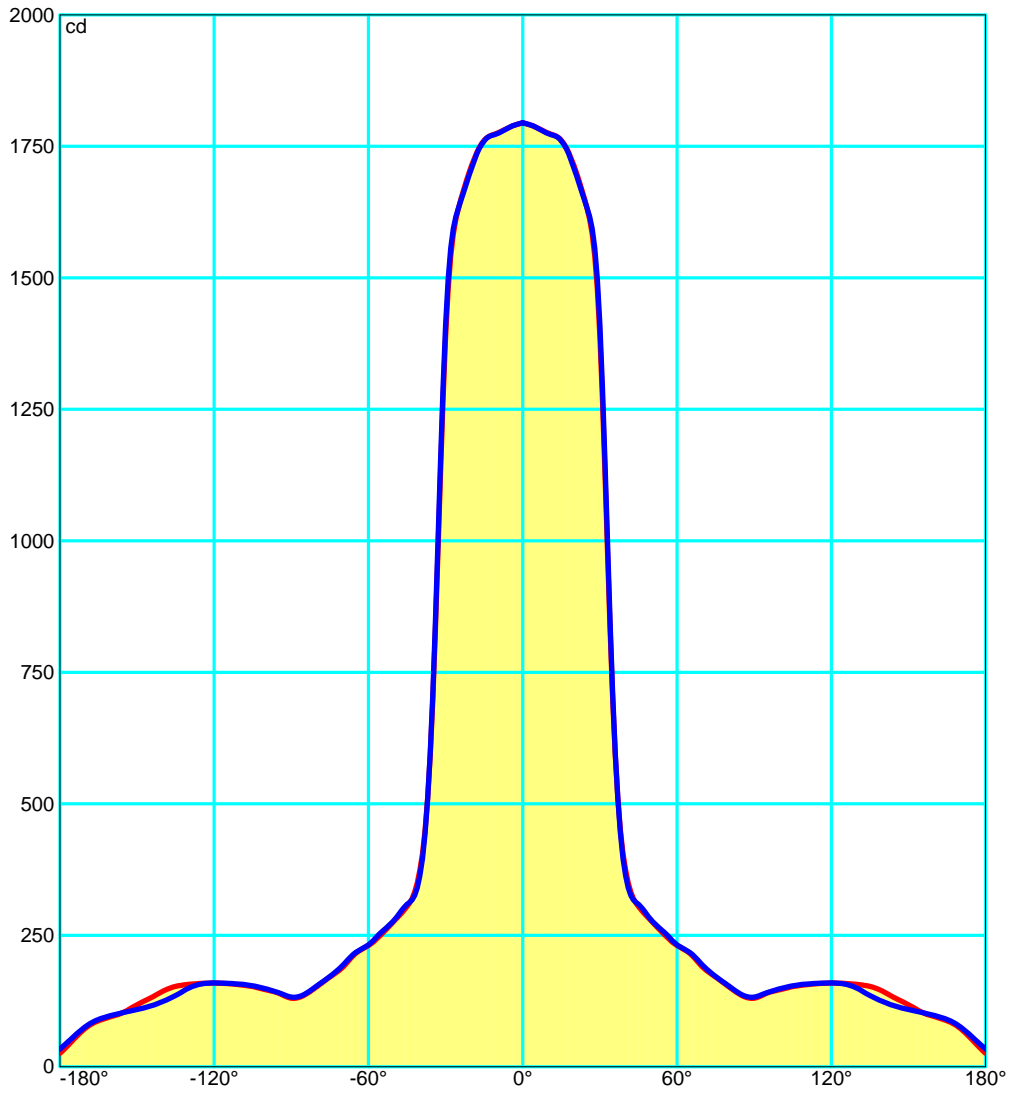
<b>Luminaire</b>		<b>Measur.</b>		<b>Lamp</b>	
Code	00-4952-14-B9	Code	00-4946-14-B9	Code	L4952 53.2W 80 4000K
Name	Campana PEK 840 52.3Wglass+alu	Name	Campana PEK 840 52.3Wglass+alu	Number	1
Line	Eulmdat	Date	12-11-2014	Position	
Efficiency	100.00%	Coordinate system	CG	Total Flux	3790.10 lm

Diam=330mm



C Halfplanes

180.0 ————— 0.0  
 270.0 ————— 90.0



<b>Luminaire</b>	<b>Measur.</b>	<b>Lamp</b>
Code 00-4952-14-B9	Code 00-4946-14-B9	Code L4952 53.2W 80 4000K
Name Campana PEK 840 52.3Wglass+alu	Name Campana PEK 840 52.3Wglass+alu	Number 1
Line Eulumat	Date 12-11-2014	Position
Efficiency 100.00%	Coordinate system CG	Total Flux 3790.10 lm

**UGR**  
S = 0.250

Reflectancies										
Ceiling/Cavity	0.7	0.7	0.5	0.5	0.3	0.7	0.7	0.5	0.5	0.3
Walls	0.5	0.3	0.5	0.3	0.3	0.5	0.3	0.5	0.3	0.3
WorkingPlane	0.2	0.2	0.2	0.2	0.2	0.2	0.2	0.2	0.2	0.2
RoomDimensions	ViewedCrosswise					ViewedEndwise				
x=2H y=2H	15.4	16.3	16.0	16.9	17.5	15.4	16.3	16.0	16.9	17.5
x=2H y=3H	17.6	18.4	18.2	19.0	19.8	17.7	18.5	18.3	19.1	19.8
x=2H y=4H	18.9	19.6	19.5	20.3	21.0	18.9	19.7	19.6	20.3	21.0
x=2H y=6H	20.3	21.0	21.0	21.6	22.5	20.4	21.1	21.0	21.7	22.5
x=2H y=8H	21.1	21.8	21.8	22.4	23.3	21.2	21.8	21.8	22.5	23.3
x=2H y=12H	22.0	22.7	22.7	23.3	24.2	22.1	22.7	22.8	23.4	24.2
x=4H y=2H	16.2	17.0	16.9	17.6	18.3	16.2	17.0	16.9	17.6	18.3
x=4H y=3H	18.7	19.3	19.4	20.0	20.8	18.7	19.4	19.4	20.0	20.8
x=4H y=4H	20.1	20.7	20.8	21.4	22.2	20.2	20.7	20.9	21.4	22.2
x=4H y=6H	21.7	22.2	22.4	22.9	23.8	21.8	22.3	22.5	23.0	23.8
x=4H y=8H	22.6	23.1	23.4	23.8	24.7	22.7	23.1	23.4	23.9	24.7
x=4H y=12H	23.7	24.1	24.4	24.8	25.8	23.7	24.1	24.5	24.9	25.8
x=8H y=4H	20.8	21.2	21.5	21.9	22.8	20.8	21.2	21.5	22.0	22.8
x=8H y=6H	22.6	23.0	23.4	23.8	24.7	22.6	23.0	23.4	23.8	24.7
x=8H y=8H	23.7	24.0	24.5	24.8	25.8	23.7	24.1	24.5	24.8	25.8
x=8H y=12H	25.0	25.2	25.8	26.0	27.0	25.0	25.3	25.8	26.1	27.0
x=12H y=4H	20.9	21.3	21.7	22.1	23.0	20.9	21.4	21.7	22.1	23.0
x=12H y=6H	22.9	23.2	23.7	24.0	25.0	22.9	23.2	23.7	24.0	25.0
x=12H y=8H	24.1	24.4	24.9	25.1	26.1	24.1	24.4	24.9	25.2	26.1



**Luminaire**

Code 00-4952-14-B9  
 Name Campana PEK 840 52.3Wglass+alu  
 Line Eulumdat

**Measur.**

Code 00-4946-14-B9  
 Name Campana PEK 840 52.3Wglass+alu  
 Date 12-11-2014

**Lamp**

Code L4952 53.2W 80 4000K  
 Number 1  
 Position

Efficiency 100.00%      Coordinate system CG      Total Flux 3790.10 lm

Total Flux=3790.10 Luminaire Flux=3790.09

RI	0.60	0.80	1.00	1.25	1.50	2.00	2.50	3.00	4.00	5.00	10.00	20.00
DRR	0.48	0.53	0.59	0.64	0.68	0.74	0.78	0.82	0.86	0.88	0.94	0.97
RC	2	2	3	3	3	3	3	4	4	4	4	3

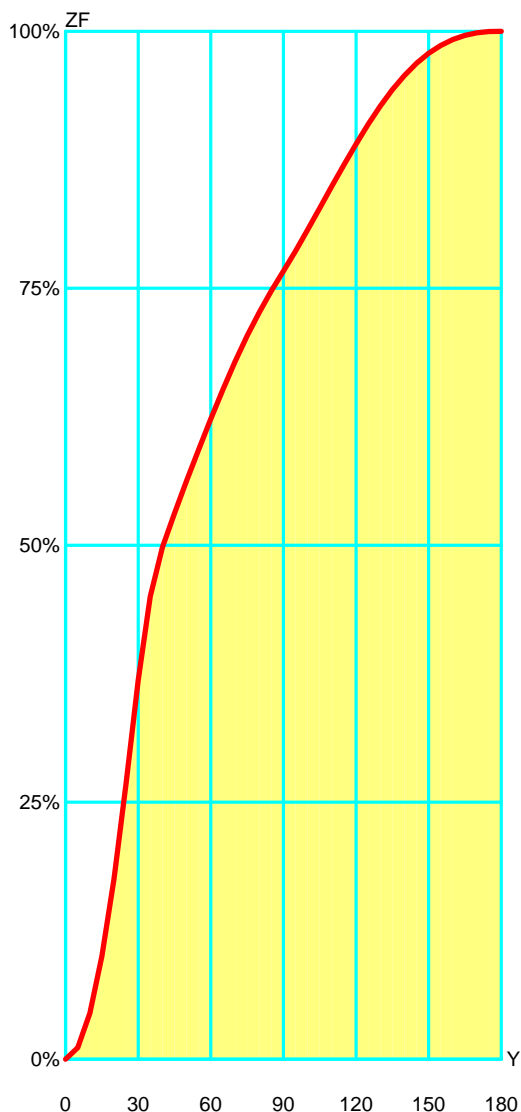
Zonal Flux per 1000 Lumen

Y°	10	20	30	40	50	60	70	80	90	100	110	120	130	140	150	160	170	180
ZF(Y)	45	176	369	498	563	623	679	727	767	807	849	890	927	957	979	992	999	1000

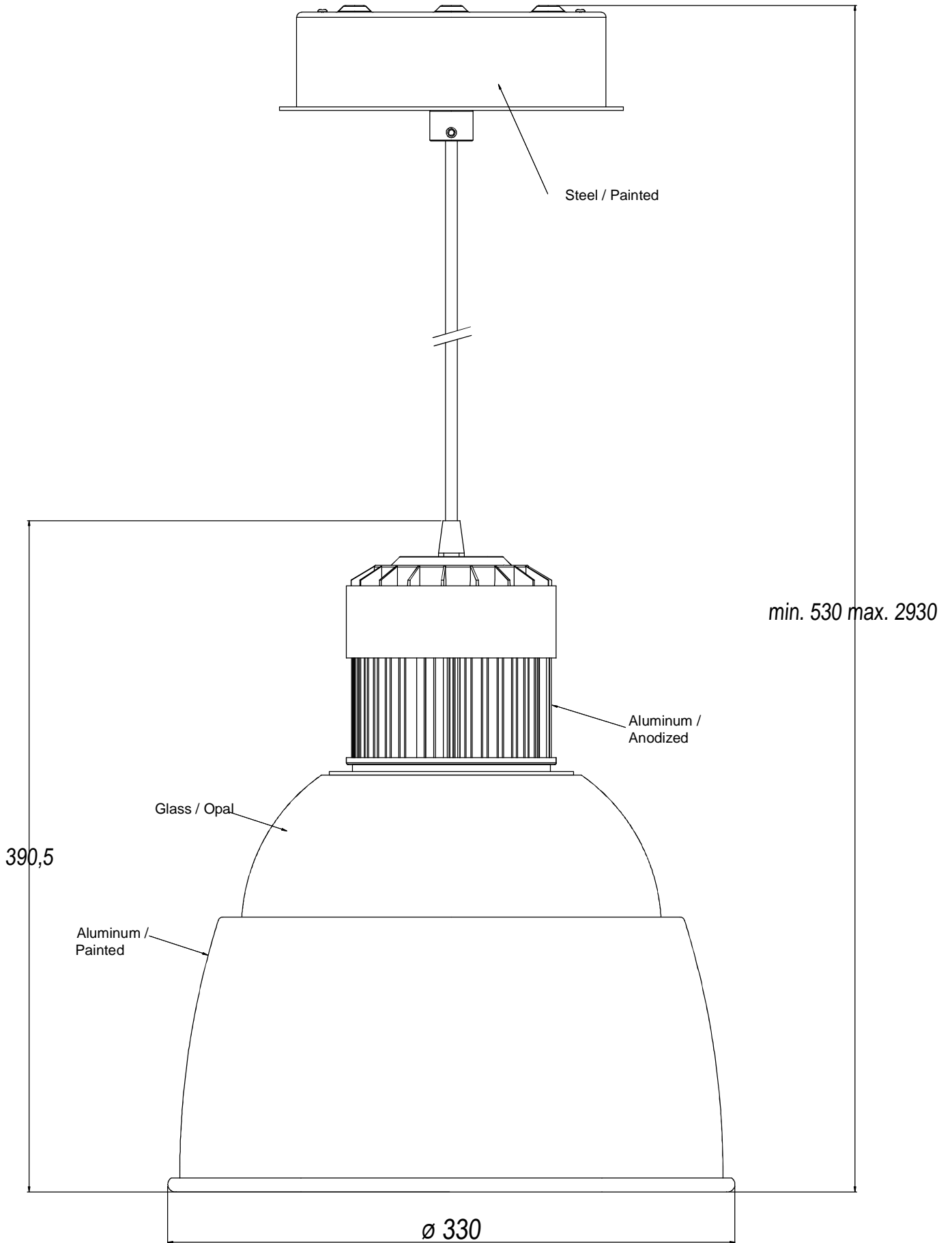
CIE Flux Codes

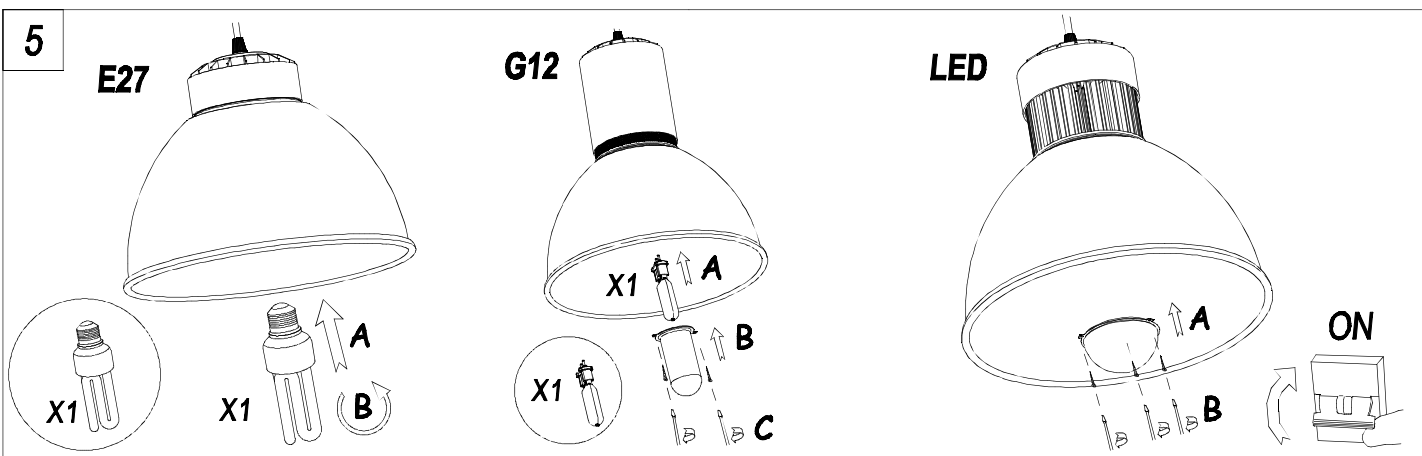
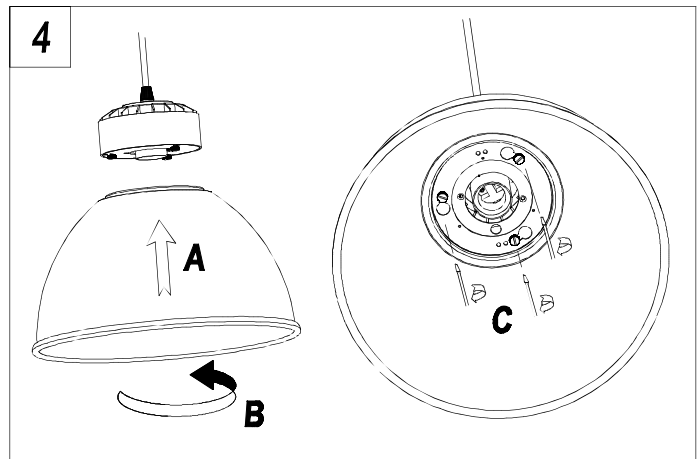
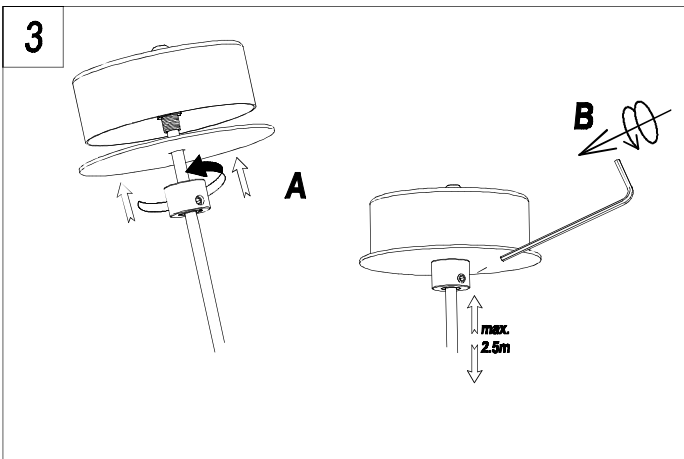
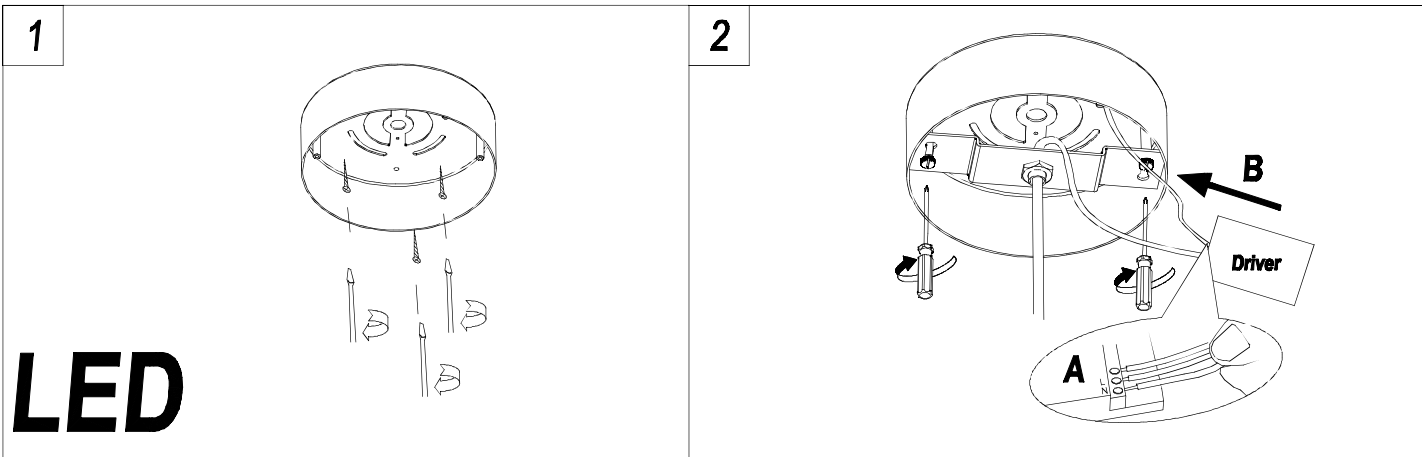
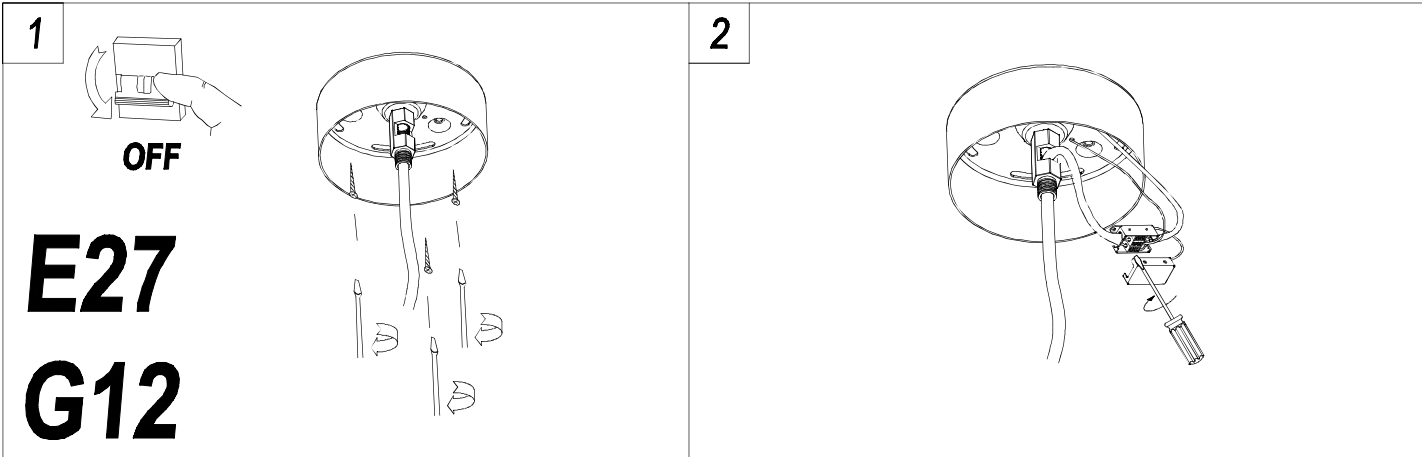
67 81 92 77 100

C.I.E.	2/2/3/3/3/3/4/4/4/3	LOR	99.99970 %
D DIN 5040	B51	ULOR	23.32300 %
F UTE	0.77 C + 0.23 T	DLOR	76.67670 %
B NBN	BZ 2 / 1 / BZ 3 / 2.5 / BZ 4	UFF	23.32307 %
RN	23.32307 %	DFF	76.67693 %
BLF	1.0	FFR	30.41732 %



Zonal Flux				
Gamma °	Flux	Sum lm	Flux [%]	Sum [%]
0°	0.00	0.00	0.00%	0.00%
5°	11.30	11.30	1.13%	1.13%
10°	33.63	44.92	3.36%	4.49%
15°	55.36	100.28	5.54%	10.03%
20°	75.52	175.81	7.55%	17.58%
25°	92.54	268.34	9.25%	26.83%
30°	100.56	368.90	10.06%	36.89%
35°	81.24	450.13	8.12%	45.01%
40°	47.82	497.95	4.78%	49.80%
45°	33.37	531.32	3.34%	53.13%
50°	31.34	562.66	3.13%	56.27%
55°	30.57	593.23	3.06%	59.32%
60°	29.61	622.84	2.96%	62.28%
65°	28.68	651.52	2.87%	65.15%
70°	27.19	678.71	2.72%	67.87%
75°	25.00	703.71	2.50%	70.37%
80°	22.90	726.61	2.29%	72.66%
85°	20.79	747.40	2.08%	74.74%
90°	19.37	766.77	1.94%	76.68%
95°	19.59	786.36	1.96%	78.64%
100°	20.55	806.90	2.05%	80.69%
105°	21.08	827.99	2.11%	82.80%
110°	21.20	849.19	2.12%	84.92%
115°	20.89	870.08	2.09%	87.01%
120°	20.22	890.30	2.02%	89.03%
125°	19.18	909.48	1.92%	90.95%
130°	17.72	927.20	1.77%	92.72%
135°	15.90	943.10	1.59%	94.31%
140°	13.94	957.04	1.39%	95.70%
145°	11.86	968.90	1.19%	96.89%
150°	9.72	978.62	0.97%	97.86%
155°	7.62	986.24	0.76%	98.62%
160°	5.71	991.95	0.57%	99.20%
165°	4.06	996.01	0.41%	99.60%
170°	2.53	998.54	0.25%	99.85%
175°	1.19	999.73	0.12%	99.97%
180°	0.27	1000.00	0.03%	100.00%



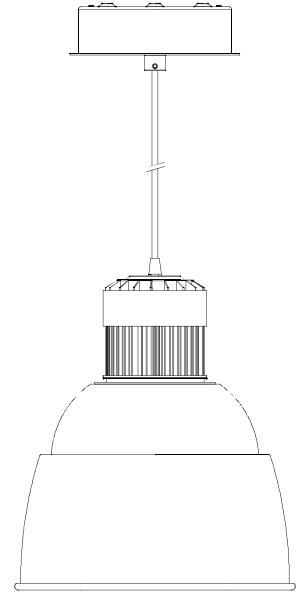
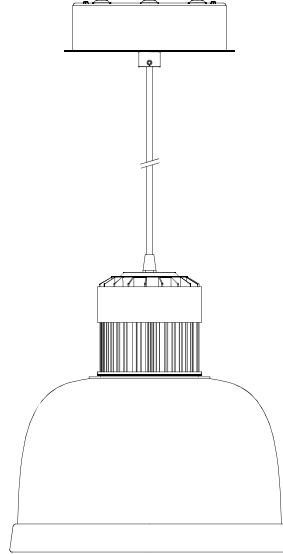
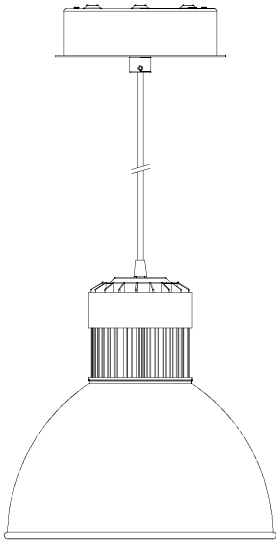


**71-3867-14-00**

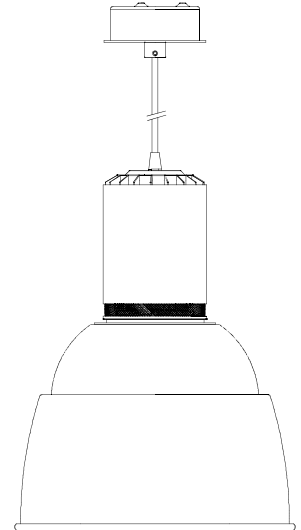
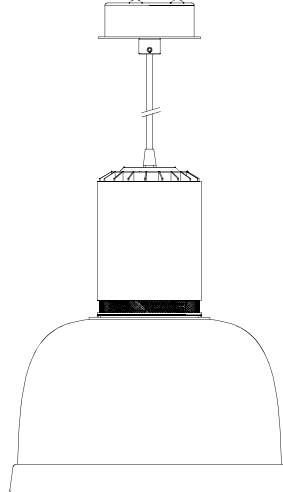
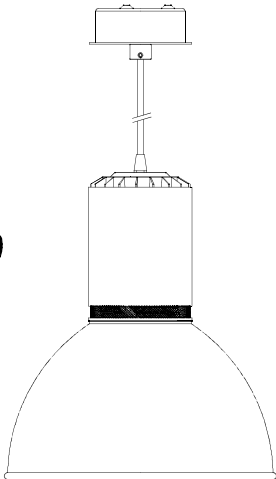
**71-3868-00-M2**

**71-3869-14-B9**

**LED**  
**71-3858-14-00**



**G12**  
**71-3859-14-00**



**E27**  
**71-3864-14-00**

