

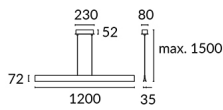


Bravo

Manel Llusçà

00-4926-F5-M1

Pendant Bravo LED 39.3W 3000K Mains dimming (LC) Gold 2490lm



TECHNICAL FEATURES

IP20



Power (W) : 39.3W

Total power consumption of light (W) : 41W

Raw lumens : 2490

Raw lm/W : 61

Colour temperature : LED warm-white 3000K

Structure material : Aluminium

Structure finish : Gold

Diffuser material : Acrylic

Diffuser finish : Opal

Useful life : 50.000h L80B20

Smart Compatible

- 71-5959-00-00: Casambi

Equipment included : Yes, electronic

Brand : MEANWELL

Voltage / frequency : 220-240V/50-60Hz

Warranty : 5 Years

Max. temperature : 25°C

Energy efficiency : LED A++

LUMINOTECHNIC FEATURES

Light source: LED SAMSUNG

CRI: 80

MacAdam steps: 3

Photobiological risk: RG1

LOGISTICS

Net weight (kg): 1.88

Packaged weight (kg): 2.92

Packaging: 150mm x 95mm x 1240mm

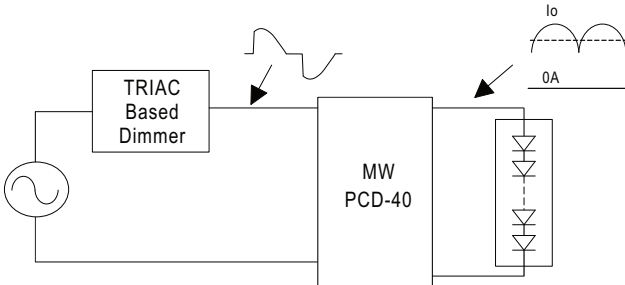


4 Un



■ AC Dimming Operation

⊙ The following diagram depicts a typical installation utilizing the PCD-40 :



Under direct driving, the power supply will work in "constant current mode (CC)" and output voltage of the power supply will be clamped by sum of forward voltage (V_F) of the LED strip.

⊙ Dimmer Compatibility Chart

| Manufacturer | Dimmer Model | |
|--------------|----------------------------|---------------------|
| LUTRON | SKYLARK SF-12P-277 | (277VAC / 60Hz) |
| LUTRON | DVF-103P-277 | (277VAC / 60Hz) |
| JUNG | Licht-Management 225 TDE | (230VAC / 50Hz) |
| JUNG | Licht-Management 225 NV DE | (230VAC / 50Hz) |
| BERKER | Tronic-Drehdimmer 286710 | (230-240VAC / 50Hz) |
| CLIPSAL | 32E450UDM | (220-240VAC / 50Hz) |
| CLIPSAL | NO 32E450TM | (220-240VAC / 50Hz) |
| CLIPSAL | NO 32E450LM | (220-240VAC / 50Hz) |
| CLIPSAL | Cat 400T | (230-240VAC / 50Hz) |

Conduction angle: 30 degrees(min.) / 180 degrees(max.)

LEDS C4[®]

Luminaire

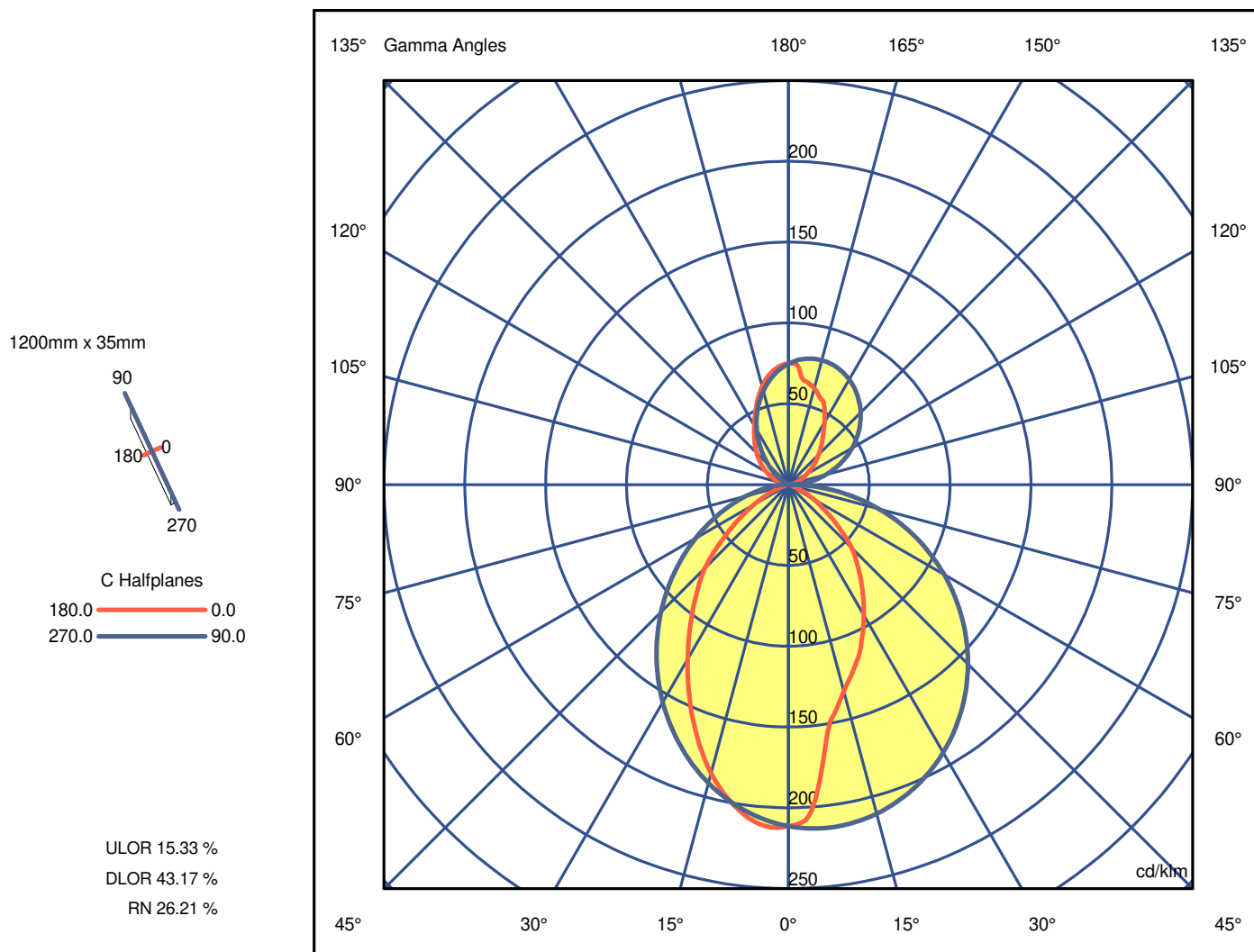
Code 00-4926
Name BRAVO

Measurerm.

Code 00-4926
Name BRAVO

| | | | | | | | |
|---|---|--------------------|---|---|------------------|---------------|--------------|
| Luminaire Flux | 2489.90 lm | Luminaire Power | 42.50 W | Efficacy | 58.59 lm/W | Efficiency | 58.50% |
| Sources Flux | 4256.00 lm | Maximum value | 213.61 cd/klm | Position | C=90.00 G=7.00 | CG | Asymmetrical |
| Rectangular Luminaire Rectangular Luminous Area | Length Length | 1200 mm 1200 mm | Width Width | 35 mm 35 mm | Height Height | 72 mm 0 mm | |
| Horizontal Luminous Area Emitting area on Plane 0° Emitting area on Plane 90° | 0.042000 m2 0.000000 m2 0.000000 m2 | | Emitting area on Plane 180° Emitting area on Plane 270° Glare area at 76° | 0.000000 m2 0.000000 m2 0.010161 m2 | | | |
| Coordinate system Date Measurement Distance | CG 07-02-2015 0.00 | | Symmetry Type Maximum Gamma Angle Measurement Flux | Asymmetrical 180 4256.00 lm | | | |
| Operator Temperature Humidity Notes | 25.00 °C 60.00 % | | Rated Voltage Rated Current Photocell | | | | |

| Luminaire Lamps | | | | | | |
|-----------------|-----------------------------------|---------------------|----------------------|-------------------|-----------|--|
| Line | Code LED | Name LED | Flux [lm] 4256.00 | Pow. [W] 42.50 | Q.ty 1 | |
| C.I.E. F UTE | 54 83 96 74 59 0.43 D + 0.15 T | D DIN 5040 B NBN | B41 BZ 4 | | | |



LEDS C4[®]

Luminaire

Code 00-4926
Name BRAVO

Measur.

Code 00-4926
Name BRAVO

| | | | | | | | |
|----------------|------------|-----------------|---------------|----------|----------------|------------|--------------|
| Luminaire Flux | 2489.90 lm | Luminaire Power | 42.50 W | Efficacy | 58.59 lm/W | Efficiency | 58.50% |
| Sources Flux | 4256.00 lm | Maximum value | 213.61 cd/klm | Position | C=90.00 G=7.00 | CG | Asymmetrical |

Luminous Intensity Table cd/klm Table 1/3

| | C 0.00 | C 90.00 | C 180.00 | C 270.00 |
|--------|--------|---------|----------|----------|
| G 0.0 | 211.29 | 211.29 | 211.29 | 211.29 |
| G 1.0 | 210.65 | 211.91 | 211.86 | 210.56 |
| G 2.0 | 209.46 | 212.43 | 212.37 | 209.74 |
| G 3.0 | 207.67 | 212.86 | 212.24 | 208.82 |
| G 4.0 | 202.86 | 213.19 | 211.60 | 207.81 |
| G 5.0 | 194.45 | 213.42 | 210.52 | 206.70 |
| G 6.0 | 184.54 | 213.56 | 209.13 | 205.51 |
| G 7.0 | 173.67 | 213.61 | 207.31 | 204.23 |
| G 8.0 | 163.53 | 213.56 | 205.19 | 202.86 |
| G 9.0 | 154.85 | 213.42 | 202.73 | 201.41 |
| G 10.0 | 148.61 | 213.19 | 200.32 | 199.87 |
| G 11.0 | 145.38 | 212.87 | 197.55 | 198.26 |
| G 12.0 | 142.28 | 212.47 | 194.66 | 196.57 |
| G 13.0 | 138.68 | 211.97 | 191.42 | 194.81 |
| G 14.0 | 135.31 | 211.39 | 188.24 | 192.97 |
| G 15.0 | 132.20 | 210.73 | 184.69 | 191.06 |
| G 16.0 | 129.54 | 209.98 | 181.22 | 189.09 |
| G 17.0 | 127.09 | 209.15 | 177.36 | 187.04 |
| G 18.0 | 124.77 | 208.23 | 173.45 | 184.94 |
| G 19.0 | 122.21 | 207.24 | 169.63 | 182.77 |
| G 20.0 | 119.72 | 206.17 | 165.49 | 180.54 |
| G 21.0 | 117.33 | 205.02 | 161.49 | 178.25 |
| G 22.0 | 115.37 | 203.79 | 157.40 | 175.90 |
| G 23.0 | 112.76 | 202.49 | 153.22 | 173.51 |
| G 24.0 | 109.85 | 201.11 | 148.92 | 171.06 |
| G 25.0 | 106.88 | 199.66 | 144.86 | 168.56 |
| G 26.0 | 104.25 | 198.14 | 140.69 | 166.01 |
| G 27.0 | 101.55 | 196.54 | 136.72 | 163.42 |
| G 28.0 | 98.67 | 194.87 | 132.58 | 160.78 |
| G 29.0 | 95.84 | 193.14 | 128.66 | 158.11 |
| G 30.0 | 93.16 | 191.34 | 124.62 | 155.39 |
| G 31.0 | 90.43 | 189.47 | 120.66 | 152.64 |
| G 32.0 | 87.67 | 187.53 | 116.87 | 149.85 |
| G 33.0 | 85.02 | 185.53 | 113.02 | 147.03 |
| G 34.0 | 82.28 | 183.47 | 109.39 | 144.18 |
| G 35.0 | 79.76 | 181.34 | 105.82 | 141.30 |
| G 36.0 | 77.14 | 179.15 | 102.13 | 138.40 |
| G 37.0 | 74.62 | 176.90 | 98.71 | 135.47 |
| G 38.0 | 72.10 | 174.60 | 95.22 | 132.52 |
| G 39.0 | 69.45 | 172.23 | 91.84 | 129.54 |
| G 40.0 | 67.04 | 169.81 | 88.65 | 126.55 |
| G 41.0 | 64.61 | 167.33 | 85.42 | 123.55 |
| G 42.0 | 62.38 | 164.80 | 82.27 | 120.53 |
| G 43.0 | 60.07 | 162.21 | 79.32 | 117.50 |
| G 44.0 | 57.96 | 159.57 | 76.28 | 114.46 |
| G 45.0 | 55.29 | 156.88 | 73.44 | 111.41 |
| G 46.0 | 52.22 | 154.14 | 69.77 | 108.36 |
| G 47.0 | 48.98 | 151.35 | 65.64 | 105.31 |
| G 48.0 | 46.00 | 148.51 | 61.41 | 102.25 |
| G 49.0 | 42.80 | 145.63 | 57.59 | 99.20 |
| G 50.0 | 39.92 | 142.70 | 53.79 | 96.15 |
| G 51.0 | 37.41 | 139.72 | 50.09 | 93.10 |
| G 52.0 | 34.78 | 136.71 | 46.80 | 90.06 |
| G 53.0 | 32.27 | 133.64 | 43.51 | 87.03 |
| G 54.0 | 29.82 | 130.54 | 40.50 | 84.02 |
| G 55.0 | 27.26 | 127.40 | 37.48 | 81.01 |
| G 56.0 | 24.78 | 124.22 | 34.67 | 78.03 |
| G 57.0 | 23.06 | 121.00 | 32.06 | 75.06 |
| G 58.0 | 21.33 | 117.74 | 29.44 | 72.11 |
| G 59.0 | 19.56 | 114.45 | 27.12 | 69.18 |
| G 60.0 | 17.86 | 111.13 | 24.82 | 66.28 |
| G 61.0 | 16.28 | 107.77 | 22.70 | 63.41 |
| G 62.0 | 14.69 | 104.37 | 20.51 | 60.56 |
| G 63.0 | 13.13 | 100.95 | 18.52 | 57.74 |
| G 64.0 | 11.46 | 97.50 | 16.64 | 54.96 |
| G 65.0 | 9.63 | 94.01 | 14.65 | 52.21 |
| G 66.0 | 8.08 | 90.50 | 12.90 | 49.50 |
| G 67.0 | 6.87 | 86.97 | 11.27 | 46.83 |
| G 68.0 | 5.75 | 83.40 | 9.65 | 44.20 |
| G 69.0 | 4.54 | 79.82 | 8.12 | 41.62 |
| G 70.0 | 3.32 | 76.20 | 6.42 | 39.08 |
| G 71.0 | 2.34 | 72.57 | 4.84 | 36.59 |
| G 72.0 | 1.48 | 68.92 | 3.24 | 34.14 |

LEDS C4[®]

Luminaire

Code 00-4926
Name BRAVO

Measur.

Code 00-4926
Name BRAVO

| | | | | | | | |
|----------------|------------|-----------------|---------------|----------|----------------|------------|--------------|
| Luminaire Flux | 2489.90 lm | Luminaire Power | 42.50 W | Efficacy | 58.59 lm/W | Efficiency | 58.50% |
| Sources Flux | 4256.00 lm | Maximum value | 213.61 cd/klm | Position | C=90.00 G=7.00 | CG | Asymmetrical |

Luminous Intensity Table cd/klm Table 2/3

| | C 0.00 | C 90.00 | C 180.00 | C 270.00 |
|--------|--------|---------|----------|----------|
| G 73.0 | 1.19 | 65.24 | 2.00 | 31.75 |
| G 74.0 | 1.15 | 61.55 | 1.76 | 29.42 |
| G 75.0 | 1.07 | 57.84 | 1.71 | 27.14 |
| G 76.0 | 1.02 | 54.11 | 1.60 | 24.92 |
| G 77.0 | 1.01 | 50.37 | 1.60 | 22.76 |
| G 78.0 | 0.94 | 46.61 | 1.53 | 20.66 |
| G 79.0 | 0.85 | 42.84 | 1.40 | 18.62 |
| G 80.0 | 0.78 | 39.05 | 1.31 | 16.66 |
| G 81.0 | 0.74 | 35.26 | 1.27 | 14.76 |
| G 82.0 | 0.68 | 31.45 | 1.20 | 12.93 |
| G 83.0 | 0.61 | 27.64 | 1.06 | 11.18 |
| G 84.0 | 0.57 | 23.82 | 1.03 | 9.50 |
| G 85.0 | 0.55 | 19.99 | 0.95 | 7.90 |
| G 86.0 | 0.51 | 16.15 | 0.88 | 6.38 |
| G 87.0 | 0.48 | 12.31 | 0.78 | 4.94 |
| G 88.0 | 0.46 | 8.47 | 0.75 | 3.58 |
| G 89.0 | 0.46 | 4.63 | 0.70 | 2.31 |
| G 90.0 | 0.40 | 0.78 | 0.67 | 1.13 |
| G 91.0 | 0.52 | 2.35 | 0.80 | 0.04 |
| G 92.0 | 0.59 | 3.92 | 0.90 | 0.00 |
| G 93.0 | 0.70 | 5.49 | 1.03 | 0.00 |
| G 94.0 | 0.87 | 7.06 | 1.21 | 0.00 |
| G 95.0 | 1.11 | 8.63 | 1.45 | 0.00 |
| G 96.0 | 1.33 | 10.19 | 1.72 | 0.00 |
| G 97.0 | 1.66 | 11.75 | 2.06 | 0.00 |
| G 98.0 | 1.98 | 13.31 | 2.43 | 0.00 |
| G 99.0 | 2.30 | 14.86 | 2.84 | 0.00 |
| G100.0 | 2.67 | 16.41 | 3.28 | 0.00 |
| G101.0 | 3.04 | 17.95 | 3.71 | 0.00 |
| G102.0 | 3.40 | 19.48 | 4.18 | 0.00 |
| G103.0 | 3.79 | 21.01 | 4.64 | 0.00 |
| G104.0 | 4.15 | 22.53 | 5.16 | 0.00 |
| G105.0 | 4.56 | 24.04 | 5.66 | 0.00 |
| G106.0 | 5.05 | 25.55 | 6.20 | 0.00 |
| G107.0 | 5.51 | 27.05 | 6.75 | 0.00 |
| G108.0 | 6.00 | 28.53 | 7.36 | 0.00 |
| G109.0 | 6.44 | 30.01 | 7.94 | 0.00 |
| G110.0 | 6.95 | 31.48 | 8.55 | 0.00 |
| G111.0 | 7.57 | 32.93 | 9.17 | 0.00 |
| G112.0 | 8.10 | 34.37 | 9.88 | 0.00 |
| G113.0 | 8.63 | 35.80 | 10.51 | 0.00 |
| G114.0 | 9.21 | 37.22 | 11.18 | 0.00 |
| G115.0 | 9.82 | 38.63 | 11.94 | 0.00 |
| G116.0 | 10.54 | 40.02 | 12.65 | 0.00 |
| G117.0 | 11.19 | 41.40 | 13.36 | 0.00 |
| G118.0 | 11.84 | 42.76 | 14.09 | 0.00 |
| G119.0 | 12.53 | 44.10 | 14.91 | 0.00 |
| G120.0 | 13.22 | 45.44 | 15.64 | 0.59 |
| G121.0 | 14.02 | 46.75 | 16.38 | 1.48 |
| G122.0 | 14.77 | 48.05 | 17.14 | 2.41 |
| G123.0 | 15.54 | 49.32 | 18.00 | 3.38 |
| G124.0 | 16.31 | 50.58 | 18.75 | 4.39 |
| G125.0 | 17.14 | 51.83 | 19.53 | 5.44 |
| G126.0 | 18.09 | 53.05 | 20.39 | 6.52 |
| G127.0 | 18.98 | 54.25 | 21.17 | 7.64 |
| G128.0 | 19.89 | 55.43 | 21.94 | 8.79 |
| G129.0 | 20.79 | 56.59 | 22.82 | 9.97 |
| G130.0 | 21.76 | 57.73 | 23.61 | 11.18 |
| G131.0 | 22.67 | 58.85 | 24.41 | 12.42 |
| G132.0 | 23.60 | 59.94 | 25.21 | 13.68 |
| G133.0 | 24.59 | 61.01 | 26.03 | 14.97 |
| G134.0 | 25.57 | 62.06 | 26.96 | 16.28 |
| G135.0 | 26.53 | 63.08 | 27.79 | 17.62 |
| G136.0 | 27.55 | 64.08 | 28.60 | 18.97 |
| G137.0 | 28.52 | 65.05 | 29.54 | 20.34 |
| G138.0 | 29.55 | 66.00 | 30.41 | 21.73 |
| G139.0 | 30.55 | 66.92 | 31.27 | 23.14 |
| G140.0 | 31.56 | 67.81 | 32.15 | 24.56 |
| G141.0 | 32.65 | 68.67 | 33.13 | 25.99 |
| G142.0 | 33.74 | 69.51 | 34.05 | 27.43 |
| G143.0 | 34.95 | 70.32 | 34.97 | 28.88 |
| G144.0 | 36.14 | 71.10 | 35.93 | 30.34 |
| G145.0 | 37.38 | 71.84 | 36.88 | 31.81 |

LEDS C4[®]

Luminaire

Code 00-4926

Name BRAVO

Measurem.

Code 00-4926

Name BRAVO

| | | | | | | | |
|----------------|------------|-----------------|---------------|----------|----------------|------------|--------------|
| Luminaire Flux | 2489.90 lm | Luminaire Power | 42.50 W | Efficacy | 58.59 lm/W | Efficiency | 58.50% |
| Sources Flux | 4256.00 lm | Maximum value | 213.61 cd/klm | Position | C=90.00 G=7.00 | CG | Asymmetrical |

Luminous Intensity Table cd/klm Table 3/3

| | C 0.00 | C 90.00 | C 180.00 | C 270.00 |
|--------|--------|---------|----------|----------|
| G146.0 | 38.73 | 72.56 | 37.95 | 33.28 |
| G147.0 | 40.08 | 73.25 | 38.95 | 34.75 |
| G148.0 | 41.52 | 73.90 | 40.00 | 36.22 |
| G149.0 | 43.05 | 74.53 | 41.14 | 37.70 |
| G150.0 | 44.52 | 75.12 | 42.25 | 39.17 |
| G151.0 | 46.07 | 75.67 | 43.39 | 40.64 |
| G152.0 | 47.63 | 76.20 | 44.62 | 42.10 |
| G153.0 | 49.32 | 76.68 | 45.90 | 43.56 |
| G154.0 | 50.95 | 77.14 | 47.18 | 45.01 |
| G155.0 | 52.58 | 77.56 | 48.57 | 46.45 |
| G156.0 | 54.12 | 77.94 | 49.93 | 47.88 |
| G157.0 | 55.59 | 78.28 | 51.31 | 49.30 |
| G158.0 | 56.32 | 78.59 | 52.82 | 50.70 |
| G159.0 | 56.50 | 78.86 | 54.31 | 52.09 |
| G160.0 | 57.15 | 79.09 | 55.76 | 53.46 |
| G161.0 | 58.13 | 79.29 | 57.22 | 54.81 |
| G162.0 | 59.07 | 79.44 | 58.70 | 56.14 |
| G163.0 | 60.06 | 79.56 | 60.09 | 57.45 |
| G164.0 | 60.91 | 79.63 | 61.55 | 58.74 |
| G165.0 | 61.66 | 79.66 | 62.93 | 60.00 |
| G166.0 | 62.39 | 79.65 | 64.22 | 61.23 |
| G167.0 | 63.01 | 79.60 | 65.50 | 62.44 |
| G168.0 | 63.67 | 79.51 | 66.82 | 63.62 |
| G169.0 | 64.20 | 79.37 | 67.98 | 64.76 |
| G170.0 | 64.67 | 79.19 | 69.03 | 65.87 |
| G171.0 | 65.07 | 78.97 | 69.96 | 66.95 |
| G172.0 | 65.49 | 78.70 | 70.80 | 67.99 |
| G173.0 | 66.67 | 78.38 | 71.64 | 69.00 |
| G174.0 | 69.55 | 78.02 | 72.33 | 69.96 |
| G175.0 | 72.74 | 77.61 | 72.99 | 70.89 |
| G176.0 | 74.48 | 77.16 | 73.59 | 71.77 |
| G177.0 | 75.08 | 76.65 | 74.18 | 72.61 |
| G178.0 | 75.14 | 76.10 | 74.53 | 73.41 |
| G179.0 | 75.05 | 75.50 | 74.79 | 74.15 |
| G180.0 | 74.85 | 74.85 | 74.85 | 74.85 |

LEDS C4²

Luminaire

Code 00-4926

Name BRAVO

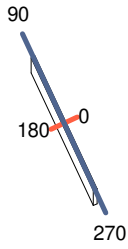
Measur.

Code 00-4926

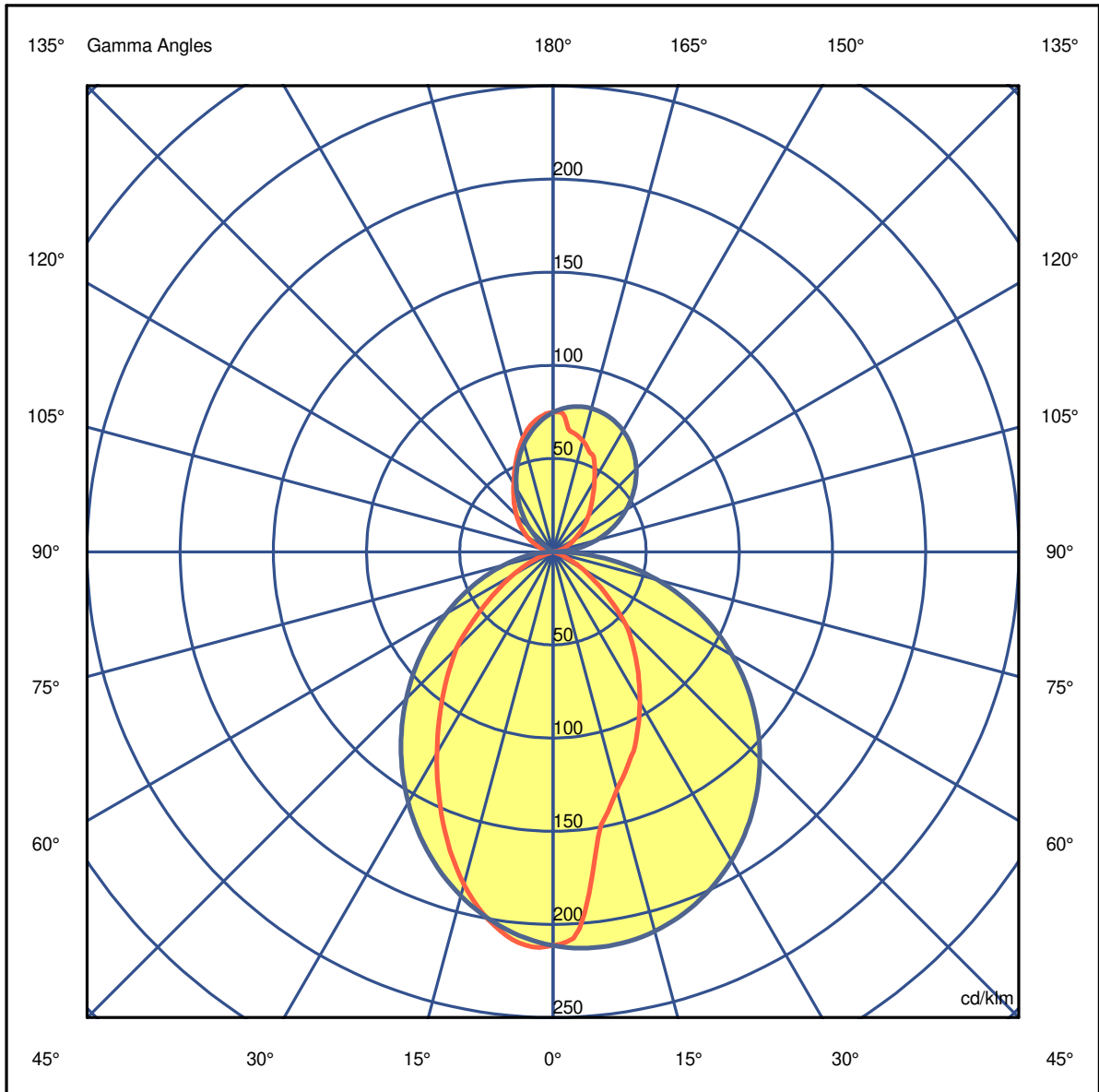
Name BRAVO

| | | | | | | | |
|----------------|------------|-----------------|---------------|----------|----------------|------------|--------------|
| Luminaire Flux | 2489.90 lm | Luminaire Power | 42.50 W | Efficacy | 58.59 lm/W | Efficiency | 58.50% |
| Sources Flux | 4256.00 lm | Maximum value | 213.61 cd/klm | Position | C=90.00 G=7.00 | CG | Asymmetrical |

1200mm x 35mm



C Halfplanes



LEDS C4[®]

Luminaire

Code 00-4926

Name BRAVO

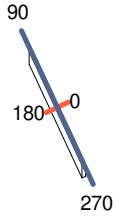
Measur.

Code 00-4926

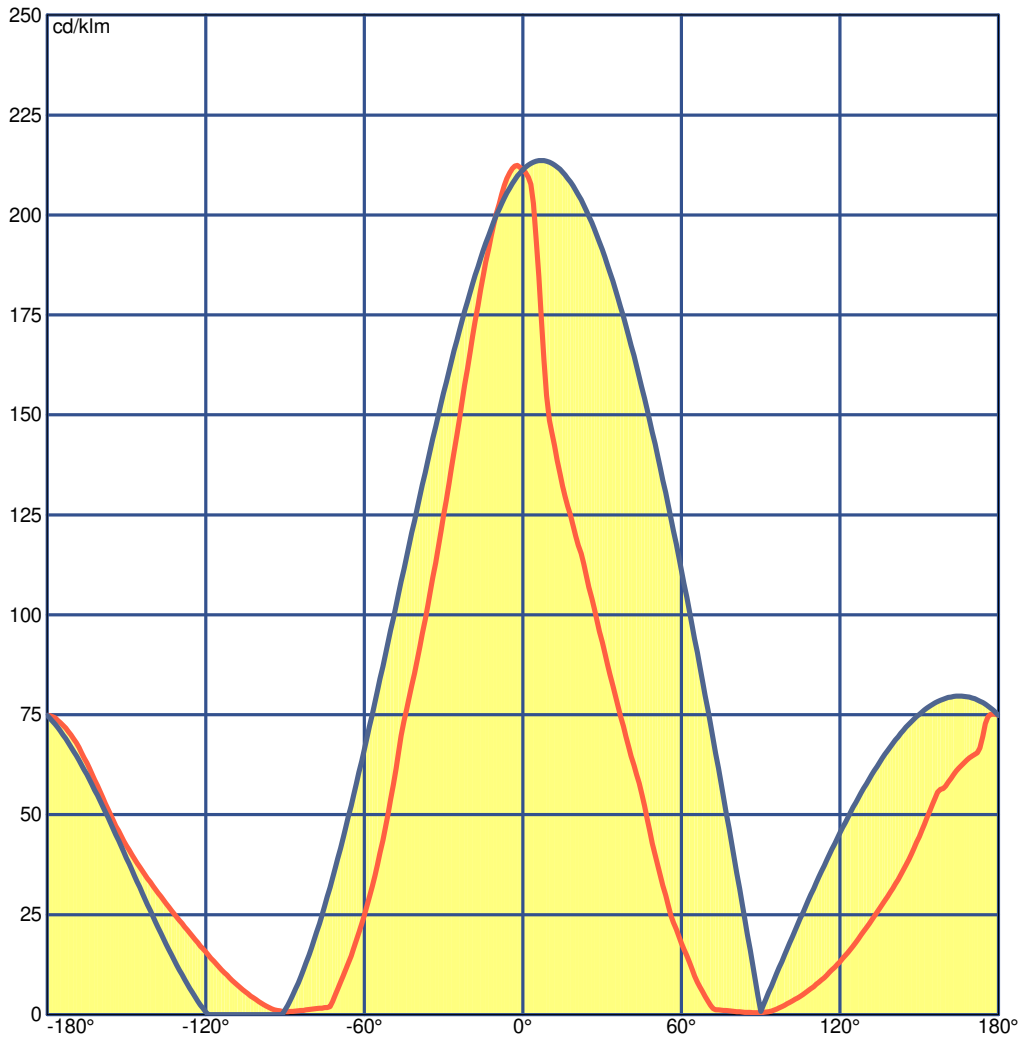
Name BRAVO

| | | | | | | | |
|----------------|------------|-----------------|---------------|----------|----------------|------------|--------------|
| Luminaire Flux | 2489.90 lm | Luminaire Power | 42.50 W | Efficacy | 58.59 lm/W | Efficiency | 58.50% |
| Sources Flux | 4256.00 lm | Maximum value | 213.61 cd/klm | Position | C=90.00 G=7.00 | CG | Asymmetrical |

1200mm x 35mm



C Halfplanes



LEDS C4[®]

Luminaire

Code 00-4926
Name BRAVO

Measurem.

Code 00-4926
Name BRAVO

| | | | | | | | |
|----------------|------------|-----------------|---------------|----------|----------------|------------|--------------|
| Luminaire Flux | 2489.90 lm | Luminaire Power | 42.50 W | Efficacy | 58.59 lm/W | Efficiency | 58.50% |
| Sources Flux | 4256.00 lm | Maximum value | 213.61 cd/klm | Position | C=90.00 G=7.00 | CG | Asymmetrical |

UGR
S = 0.250

| Reflectancies | | | | | | | | | | |
|----------------|------------------|------|------|------|------|----------------|------|------|------|------|
| Ceiling/Cavity | 0.7 | 0.7 | 0.5 | 0.5 | 0.3 | 0.7 | 0.7 | 0.5 | 0.5 | 0.3 |
| Walls | 0.5 | 0.3 | 0.5 | 0.3 | 0.3 | 0.5 | 0.3 | 0.5 | 0.3 | 0.3 |
| WorkingPlane | 0.2 | 0.2 | 0.2 | 0.2 | 0.2 | 0.2 | 0.2 | 0.2 | 0.2 | 0.2 |
| RoomDimensions | Viewed Crosswise | | | | | Viewed Endwise | | | | |
| x=2H y=2H | 16.8 | 17.7 | 17.4 | 18.3 | 19.1 | 19.8 | 20.8 | 20.5 | 21.4 | 22.1 |
| x=2H y=3H | 17.0 | 17.8 | 17.6 | 18.5 | 19.3 | 21.2 | 22.1 | 21.9 | 22.8 | 23.5 |
| x=2H y=4H | 16.9 | 17.7 | 17.6 | 18.4 | 19.2 | 21.8 | 22.6 | 22.5 | 23.3 | 24.1 |
| x=2H y=6H | 16.8 | 17.5 | 17.5 | 18.2 | 19.0 | 22.2 | 23.0 | 23.0 | 23.7 | 24.5 |
| x=2H y=8H | 16.8 | 17.5 | 17.5 | 18.2 | 19.0 | 22.4 | 23.1 | 23.1 | 23.8 | 24.6 |
| x=2H y=12H | 16.7 | 17.4 | 17.4 | 18.1 | 18.9 | 22.5 | 23.2 | 23.2 | 23.9 | 24.7 |
| x=4H y=2H | 18.1 | 18.9 | 18.8 | 19.5 | 20.3 | 20.0 | 20.8 | 20.7 | 21.5 | 22.3 |
| x=4H y=3H | 18.5 | 19.2 | 19.2 | 19.9 | 20.7 | 21.6 | 22.3 | 22.4 | 23.0 | 23.9 |
| x=4H y=4H | 18.5 | 19.1 | 19.3 | 19.9 | 20.7 | 22.4 | 23.0 | 23.1 | 23.7 | 24.5 |
| x=4H y=6H | 18.5 | 19.0 | 19.3 | 19.8 | 20.7 | 23.0 | 23.5 | 23.7 | 24.2 | 25.1 |
| x=4H y=8H | 18.5 | 19.0 | 19.3 | 19.7 | 20.7 | 23.2 | 23.6 | 24.0 | 24.4 | 25.3 |
| x=4H y=12H | 18.5 | 18.9 | 19.2 | 19.7 | 20.6 | 23.3 | 23.8 | 24.1 | 24.5 | 25.5 |
| x=8H y=4H | 19.5 | 19.9 | 20.2 | 20.7 | 21.6 | 22.4 | 22.9 | 23.2 | 23.6 | 24.6 |
| x=8H y=6H | 19.6 | 20.0 | 20.4 | 20.8 | 21.8 | 23.1 | 23.5 | 23.9 | 24.3 | 25.2 |
| x=8H y=8H | 19.7 | 20.0 | 20.5 | 20.8 | 21.8 | 23.4 | 23.7 | 24.2 | 24.5 | 25.5 |
| x=8H y=12H | 19.7 | 19.9 | 20.5 | 20.8 | 21.8 | 23.7 | 23.9 | 24.5 | 24.8 | 25.8 |
| x=12H y=4H | 19.7 | 20.1 | 20.5 | 20.9 | 21.8 | 22.3 | 22.8 | 23.1 | 23.5 | 24.5 |
| x=12H y=6H | 20.0 | 20.3 | 20.8 | 21.1 | 22.1 | 23.1 | 23.4 | 23.9 | 24.2 | 25.2 |
| x=12H y=8H | 20.1 | 20.4 | 20.9 | 21.2 | 22.2 | 23.4 | 23.7 | 24.2 | 24.5 | 25.5 |

LEDS C4²

Luminaire

Code 00-4926
Name BRAVO

Measurement

Code 00-4926
Name BRAVO

| | | | | | | | |
|----------------|------------|-----------------|---------------|----------|----------------|------------|--------------|
| Luminaire Flux | 2489.90 lm | Luminaire Power | 42.50 W | Efficacy | 58.59 lm/W | Efficiency | 58.50% |
| Sources Flux | 4256.00 lm | Maximum value | 213.61 cd/klm | Position | C=90.00 G=7.00 | CG | Asymmetrical |

Total Flux=4256.00 Luminaire Flux=2489.90

| | | | | | | | | | | | | |
|-----|------|------|------|------|------|------|------|------|------|------|-------|-------|
| RI | 0.60 | 0.80 | 1.00 | 1.25 | 1.50 | 2.00 | 2.50 | 3.00 | 4.00 | 5.00 | 10.00 | 20.00 |
| DRR | 0.35 | 0.44 | 0.51 | 0.58 | 0.63 | 0.71 | 0.77 | 0.81 | 0.85 | 0.88 | 0.93 | 0.97 |
| RC | 4 | 4 | 4 | 4 | 4 | 4 | 4 | 4 | 4 | 4 | 4 | 4 |

Zonal Flux per 1000 Lumen

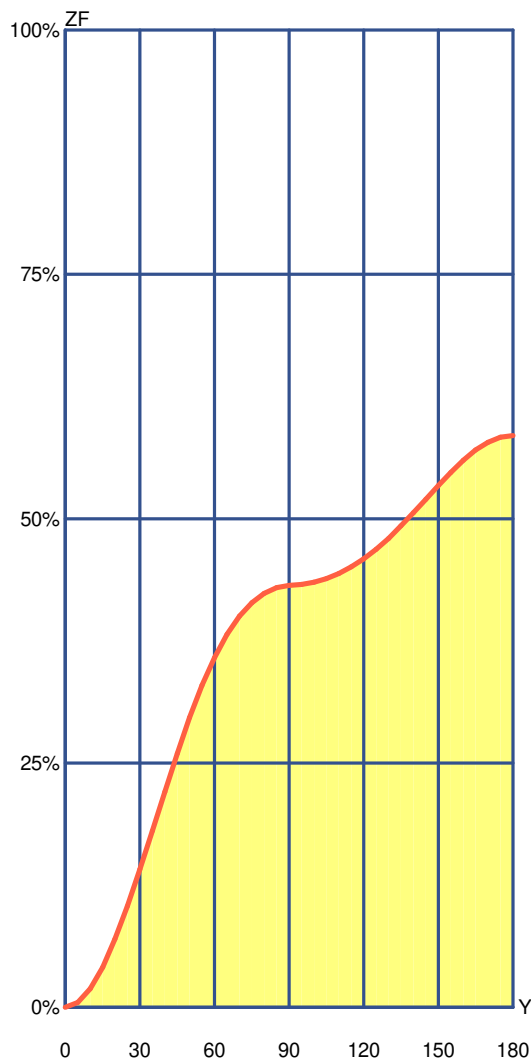
| | | | | | | | | | | | | | | | | | | |
|-------|----|----|-----|-----|-----|-----|-----|-----|-----|-----|-----|-----|-----|-----|-----|-----|-----|-----|
| Y° | 10 | 20 | 30 | 40 | 50 | 60 | 70 | 80 | 90 | 100 | 110 | 120 | 130 | 140 | 150 | 160 | 170 | 180 |
| ZF(Y) | 19 | 70 | 141 | 220 | 297 | 358 | 400 | 424 | 432 | 435 | 444 | 459 | 480 | 506 | 534 | 560 | 578 | 585 |

CIE Flux Codes

54 83 96 74 59

C.I.E. 4
D DIN 5040 B41
F UTE 0.43 D + 0.15 T
B NBN BZ 4
RN 26.21216 %
BLF 1.0

LOR 58.50337 %
ULOR 15.33500 %
DLOR 43.16837 %
UFF 26.21216 %
DFF 73.78784 %
FFR 35.52368 %



| Gamma ° | Zonal Flux | | | |
|---------|------------|--------|----------|----------|
| | Flux | Sum lm | Flux [%] | Sum [%] |
| 0° | 0.00 | 0.00 | 0.00% | 0.00 % |
| 5° | 5.01 | 5.01 | 0.86 % | 0.86 % |
| 10° | 14.11 | 19.12 | 2.41 % | 3.27 % |
| 15° | 21.94 | 41.06 | 3.75 % | 7.02 % |
| 20° | 28.63 | 69.69 | 4.89 % | 11.91 % |
| 25° | 33.87 | 103.55 | 5.79 % | 17.70 % |
| 30° | 37.44 | 140.99 | 6.40 % | 24.10 % |
| 35° | 39.44 | 180.43 | 6.74 % | 30.84 % |
| 40° | 40.00 | 220.44 | 6.84 % | 37.68 % |
| 45° | 39.27 | 259.70 | 6.71 % | 44.39 % |
| 50° | 36.81 | 296.52 | 6.29 % | 50.68 % |
| 55° | 32.86 | 329.38 | 5.62 % | 56.30 % |
| 60° | 28.41 | 357.79 | 4.86 % | 61.16 % |
| 65° | 23.72 | 381.51 | 4.05 % | 65.21 % |
| 70° | 18.67 | 400.17 | 3.19 % | 68.40 % |
| 75° | 13.70 | 413.87 | 2.34 % | 70.74 % |
| 80° | 9.72 | 423.59 | 1.66 % | 72.41 % |
| 85° | 5.90 | 429.49 | 1.01 % | 73.41 % |
| 90° | 2.19 | 431.68 | 0.37 % | 73.79 % |
| 95° | 0.89 | 432.58 | 0.15 % | 73.94 % |
| 100° | 2.26 | 434.84 | 0.39 % | 74.33 % |
| 105° | 3.78 | 438.62 | 0.65 % | 74.97 % |
| 110° | 5.30 | 443.92 | 0.91 % | 75.88 % |
| 115° | 6.79 | 450.71 | 1.16 % | 77.04 % |
| 120° | 8.19 | 458.89 | 1.40 % | 78.44 % |
| 125° | 9.74 | 468.63 | 1.66 % | 80.10 % |
| 130° | 11.30 | 479.93 | 1.93 % | 82.04 % |
| 135° | 12.57 | 492.51 | 2.15 % | 84.18 % |
| 140° | 13.46 | 505.97 | 2.30 % | 86.49 % |
| 145° | 13.91 | 519.88 | 2.38 % | 88.86 % |
| 150° | 13.93 | 533.81 | 2.38 % | 91.24 % |
| 155° | 13.46 | 547.27 | 2.30 % | 93.54 % |
| 160° | 12.36 | 559.62 | 2.11 % | 95.66 % |
| 165° | 10.50 | 570.12 | 1.79 % | 97.45 % |
| 170° | 8.05 | 578.17 | 1.38 % | 98.83 % |
| 175° | 5.09 | 583.26 | 0.87 % | 99.70 % |
| 180° | 1.78 | 585.03 | 0.30 % | 100.00 % |

LEDS C4⁺

Luminaire
Code 00-4926
Name BRAVO
Measurement
Code 00-4926
Name BRAVO

| | | | | | | | |
|----------------|------------|-----------------|---------------|----------|----------------|------------|--------------|
| Luminaire Flux | 2489.90 lm | Luminaire Power | 42.50 W | Efficacy | 58.59 lm/W | Efficiency | 58.50% |
| Sources Flux | 4256.00 lm | Maximum value | 213.61 cd/klm | Position | C=90.00 G=7.00 | CG | Asymmetrical |

Utilizations CIE

| Mounting | Direct | Normalization | | | | | | | | | | Normalised | | | | | Suspension Ratid/3 | | | | | Standard CIE Settings | | | | |
|----------|--------|---------------|------|------|------|------|------|------|------|------|------|------------|------|------|------|------|--------------------|------|------|------|------|-----------------------|------|--|--|--|
| Ceiling | | | | | | | | | | | | | | | | | | | | | | | | | | |
| K | 8873 | 8773 | 8871 | 8771 | 7773 | 7771 | 7753 | 7553 | 7751 | 7551 | 7731 | 7331 | 7711 | 7111 | 5551 | 5531 | 5331 | 5511 | 5111 | 3331 | 3311 | 1111 | 0000 | | | |
| 0.60 | 227 | 204 | 202 | 182 | 194 | 174 | 158 | 134 | 145 | 123 | 125 | 94 | 111 | 76 | 115 | 101 | 89 | 90 | 72 | 85 | 76 | 66 | 58 | | | |
| 0.80 | 254 | 233 | 216 | 199 | 221 | 190 | 182 | 159 | 161 | 141 | 139 | 111 | 124 | 90 | 132 | 116 | 105 | 104 | 86 | 99 | 90 | 79 | 68 | | | |
| 1.00 | 272 | 253 | 223 | 208 | 241 | 200 | 201 | 180 | 171 | 154 | 150 | 123 | 133 | 102 | 144 | 127 | 117 | 114 | 98 | 111 | 100 | 89 | 77 | | | |
| 1.25 | 288 | 271 | 226 | 215 | 258 | 206 | 220 | 200 | 179 | 164 | 159 | 135 | 142 | 114 | 154 | 138 | 128 | 125 | 109 | 122 | 111 | 100 | 85 | | | |
| 1.50 | 300 | 285 | 228 | 218 | 271 | 210 | 234 | 216 | 185 | 172 | 166 | 144 | 150 | 124 | 162 | 146 | 137 | 133 | 118 | 131 | 120 | 109 | 92 | | | |
| 2.00 | 315 | 302 | 227 | 220 | 288 | 212 | 256 | 239 | 192 | 181 | 175 | 157 | 160 | 138 | 172 | 158 | 150 | 146 | 133 | 144 | 134 | 123 | 102 | | | |
| 2.50 | 325 | 314 | 226 | 220 | 300 | 213 | 271 | 256 | 196 | 187 | 181 | 166 | 168 | 148 | 178 | 166 | 159 | 155 | 143 | 153 | 143 | 134 | 110 | | | |
| 3.00 | 331 | 322 | 225 | 220 | 308 | 214 | 282 | 269 | 198 | 191 | 185 | 172 | 174 | 156 | 182 | 171 | 165 | 161 | 151 | 159 | 151 | 141 | 115 | | | |
| 4.00 | 341 | 334 | 223 | 219 | 319 | 214 | 298 | 287 | 202 | 196 | 191 | 181 | 181 | 167 | 188 | 179 | 174 | 171 | 162 | 168 | 161 | 152 | 123 | | | |
| 5.00 | 347 | 341 | 222 | 219 | 326 | 214 | 308 | 299 | 204 | 199 | 195 | 186 | 186 | 174 | 192 | 184 | 180 | 177 | 169 | 174 | 168 | 160 | 128 | | | |
| 10.00 | 359 | 356 | 219 | 217 | 342 | 213 | 331 | 326 | 208 | 205 | 203 | 198 | 198 | 191 | 199 | 195 | 193 | 190 | 186 | 187 | 184 | 177 | 139 | | | |
| 20.00 | 366 | 364 | 216 | 216 | 350 | 213 | 344 | 341 | 210 | 208 | 207 | 205 | 204 | 201 | 203 | 201 | 199 | 198 | 196 | 195 | 193 | 187 | 146 | | | |

Wall

| K | 8873 | 8773 | 8871 | 8771 | 7773 | 7771 | 7753 | 7553 | 7751 | 7551 | 7731 | 7331 | 7711 | 7111 | 5551 | 5531 | 5331 | 5511 | 5111 | 3331 | 3311 | 1111 | 0000 |
|-------|------|------|------|------|------|------|------|------|------|------|------|------|------|------|------|------|------|------|------|------|------|------|------|
| 0.60 | 238 | 226 | 206 | 196 | 219 | 191 | 172 | 162 | 154 | 145 | 129 | 117 | 111 | 99 | 140 | 119 | 115 | 103 | 97 | 112 | 98 | 94 | 84 |
| 0.80 | 270 | 258 | 227 | 218 | 248 | 211 | 202 | 190 | 176 | 166 | 151 | 138 | 132 | 118 | 159 | 138 | 133 | 122 | 115 | 129 | 115 | 109 | 97 |
| 1.00 | 292 | 279 | 238 | 230 | 268 | 222 | 223 | 211 | 189 | 180 | 165 | 152 | 147 | 132 | 171 | 151 | 146 | 135 | 128 | 140 | 127 | 120 | 106 |
| 1.25 | 311 | 299 | 247 | 240 | 285 | 230 | 243 | 231 | 201 | 192 | 179 | 165 | 161 | 146 | 181 | 163 | 158 | 148 | 140 | 151 | 138 | 129 | 113 |
| 1.50 | 325 | 314 | 253 | 246 | 298 | 236 | 259 | 246 | 210 | 201 | 189 | 176 | 171 | 156 | 189 | 172 | 166 | 157 | 149 | 158 | 146 | 137 | 119 |
| 2.00 | 340 | 330 | 255 | 250 | 312 | 239 | 278 | 266 | 217 | 210 | 199 | 187 | 184 | 169 | 195 | 180 | 176 | 168 | 160 | 165 | 154 | 143 | 123 |
| 2.50 | 349 | 341 | 255 | 251 | 321 | 240 | 291 | 280 | 221 | 215 | 205 | 195 | 192 | 178 | 199 | 186 | 181 | 174 | 167 | 169 | 160 | 147 | 125 |
| 3.00 | 355 | 347 | 254 | 251 | 326 | 239 | 299 | 289 | 223 | 217 | 209 | 199 | 197 | 184 | 200 | 189 | 185 | 179 | 172 | 171 | 163 | 149 | 126 |
| 4.00 | 365 | 359 | 256 | 253 | 336 | 241 | 314 | 305 | 228 | 224 | 217 | 209 | 206 | 195 | 205 | 196 | 192 | 187 | 181 | 177 | 170 | 155 | 130 |
| 5.00 | 373 | 368 | 258 | 256 | 343 | 244 | 324 | 316 | 233 | 229 | 223 | 216 | 214 | 204 | 209 | 201 | 198 | 194 | 188 | 182 | 175 | 159 | 133 |
| 10.00 | 390 | 387 | 263 | 261 | 360 | 249 | 349 | 344 | 243 | 241 | 237 | 233 | 231 | 225 | 219 | 214 | 212 | 209 | 206 | 193 | 189 | 170 | 141 |
| 20.00 | 397 | 396 | 262 | 262 | 367 | 249 | 360 | 358 | 246 | 245 | 243 | 240 | 239 | 236 | 222 | 219 | 218 | 216 | 214 | 197 | 195 | 174 | 143 |

Working Pl.

| K | 8873 | 8773 | 8871 | 8771 | 7773 | 7771 | 7753 | 7553 | 7751 | 7551 | 7731 | 7331 | 7711 | 7111 | 5551 | 5531 | 5331 | 5511 | 5111 | 3331 | 3311 | 1111 | 0000 |
|-------|------|------|------|------|------|------|------|------|------|------|------|------|------|------|------|------|------|------|------|------|------|------|------|
| 0.60 | 323 | 310 | 302 | 290 | 302 | 284 | 245 | 234 | 236 | 226 | 204 | 192 | 181 | 169 | 220 | 192 | 188 | 172 | 166 | 184 | 166 | 162 | 153 |
| 0.80 | 383 | 369 | 353 | 342 | 357 | 332 | 299 | 286 | 286 | 274 | 252 | 238 | 228 | 212 | 264 | 236 | 231 | 215 | 207 | 225 | 206 | 199 | 189 |
| 1.00 | 430 | 416 | 392 | 381 | 400 | 369 | 344 | 330 | 326 | 314 | 293 | 277 | 268 | 250 | 300 | 273 | 267 | 252 | 243 | 259 | 240 | 231 | 221 |
| 1.25 | 474 | 460 | 428 | 417 | 441 | 404 | 388 | 373 | 363 | 352 | 332 | 315 | 308 | 288 | 335 | 309 | 303 | 289 | 279 | 292 | 274 | 262 | 251 |
| 1.50 | 507 | 494 | 453 | 444 | 472 | 429 | 422 | 406 | 392 | 380 | 362 | 345 | 338 | 318 | 360 | 337 | 330 | 317 | 306 | 316 | 300 | 286 | 273 |
| 2.00 | 555 | 543 | 489 | 481 | 517 | 464 | 473 | 458 | 433 | 423 | 408 | 391 | 386 | 366 | 399 | 378 | 372 | 361 | 350 | 354 | 340 | 322 | 309 |
| 2.50 | 586 | 575 | 512 | 505 | 546 | 487 | 507 | 493 | 460 | 451 | 438 | 422 | 418 | 399 | 424 | 406 | 400 | 390 | 380 | 379 | 366 | 345 | 331 |
| 3.00 | 608 | 598 | 527 | 521 | 567 | 502 | 532 | 519 | 479 | 471 | 459 | 445 | 442 | 423 | 441 | 425 | 420 | 411 | 401 | 396 | 385 | 362 | 348 |
| 4.00 | 636 | 628 | 545 | 541 | 593 | 521 | 564 | 553 | 502 | 495 | 486 | 474 | 471 | 455 | 463 | 450 | 445 | 438 | 429 | 418 | 409 | 382 | 367 |
| 5.00 | 653 | 646 | 556 | 553 | 609 | 532 | 585 | 575 | 517 | 511 | 503 | 492 | 490 | 475 | 476 | 465 | 461 | 455 | 447 | 431 | 423 | 394 | 378 |
| 10.00 | 689 | 686 | 579 | 577 | 644 | 555 | 630 | 624 | 547 | 543 | 539 | 532 | 531 | 522 | 504 | 498 | 495 | 492 | 487 | 460 | 455 | 421 | 403 |
| 20.00 | 709 | 707 | 591 | 590 | 663 | 567 | 655 | 652 | 563 | 561 | 559 | 555 | 555 | 550 | 519 | 516 | 515 | 513 | 510 | 476 | 473 | 436 | 417 |

LM53 SHR C0-C180: 0.660 SHR C90-C270: 1.336 SHR Square: 1.312

LEDS C4[®]

Luminaire

Code 00-4926
Name BRAVO

Measurem.

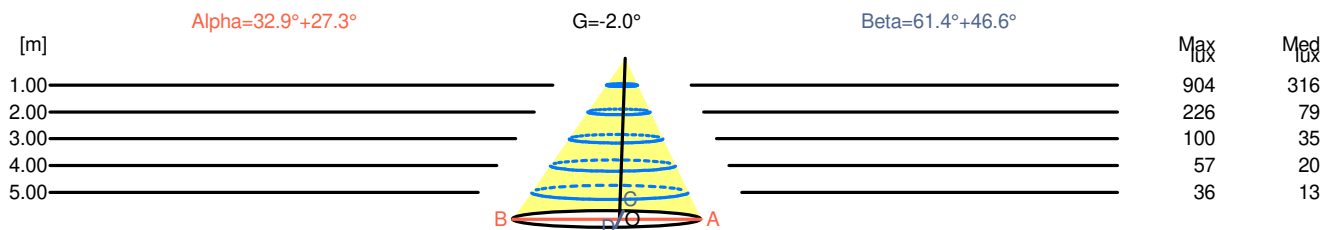
Code 00-4926
Name BRAVO

| | | | | | | | |
|----------------|------------|-----------------|---------------|----------|----------------|------------|--------------|
| Luminaire Flux | 2489.90 lm | Luminaire Power | 42.50 W | Efficacy | 58.59 lm/W | Efficiency | 58.50% |
| Sources Flux | 4256.00 lm | Maximum value | 213.61 cd/klm | Position | C=90.00 G=7.00 | CG | Asymmetrical |

Width at 50.00 % of Max Intensity

| | | | | | | | | | | | |
|------|------|------|------|------|------|------|------|------|------|------|------|
| H[m] | 1.00 | 2.00 | 3.00 | 4.00 | 5.00 | H[m] | 1.00 | 2.00 | 3.00 | 4.00 | 5.00 |
| OA | 0.51 | 1.01 | 1.52 | 2.03 | 2.53 | OC | 1.83 | 3.67 | 5.50 | 7.33 | 9.17 |
| OB | 0.66 | 1.33 | 1.99 | 2.65 | 3.31 | OD | 1.06 | 2.11 | 3.17 | 4.23 | 5.28 |

| | Luminous Intensities [cd/klm] | | | | | | | | | |
|----|--------------------------------|--------|--------|--------|--------|--------|--------|--------|--------|-------|
| | 0 | 5 | 15 | 25 | 35 | 45 | 55 | 65 | 75 | 85 |
| OA | 899.23 | 827.59 | 562.63 | 454.88 | 339.46 | 235.33 | 116.02 | 41.00 | 4.55 | 2.32 |
| OB | 899.23 | 895.97 | 786.04 | 616.52 | 450.38 | 312.57 | 159.51 | 62.35 | 7.27 | 4.04 |
| OC | 899.23 | 908.33 | 896.85 | 849.75 | 771.78 | 667.68 | 542.21 | 400.12 | 246.15 | 85.06 |
| OD | 899.23 | 879.73 | 813.17 | 717.38 | 601.38 | 474.18 | 344.79 | 222.23 | 115.50 | 33.62 |



| H[m] | D[m] | Max lux | Med lux | Alpha=32.9°+27.3° | G=-2.0 | |
|------|------|---------|---------|-------------------|--------|--|
| 1.00 | 1.17 | 904 | 316 | | | |
| 2.00 | 2.34 | 226 | 79 | | | |
| 3.00 | 3.51 | 100 | 35 | | | |
| 4.00 | 4.68 | 57 | 20 | | | |
| 5.00 | 5.85 | 36 | 13 | | | |

| H[m] | D[m] | Max lux | Med lux | Beta=46.6°+61.4° | G=0.0 | |
|------|-------|---------|---------|------------------|-------|--|
| 1.00 | 2.89 | 904 | 316 | | | |
| 2.00 | 5.78 | 226 | 79 | | | |
| 3.00 | 8.67 | 100 | 35 | | | |
| 4.00 | 11.56 | 57 | 20 | | | |
| 5.00 | 14.45 | 36 | 13 | | | |

LEDS C4²

Luminaire

Code 00-4926

Name BRAVO

Measur.

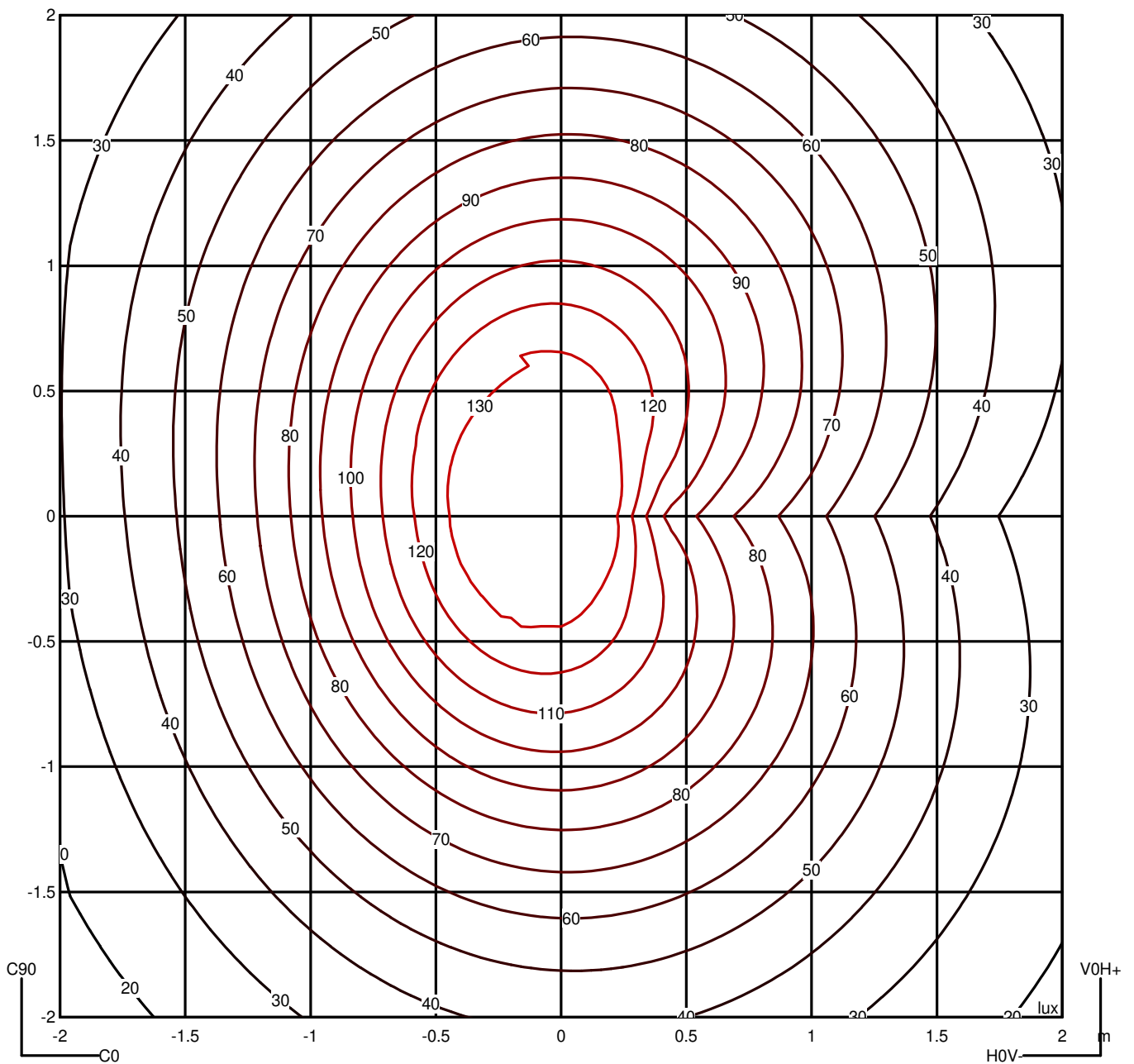
Code 00-4926

Name BRAVO

| | | | | | | | |
|----------------|------------|-----------------|---------------|----------|----------------|------------|--------------|
| Luminaire Flux | 2489.90 lm | Luminaire Power | 42.50 W | Efficacy | 58.59 lm/W | Efficiency | 58.50% |
| Sources Flux | 4256.00 lm | Maximum value | 213.61 cd/klm | Position | C=90.00 G=7.00 | CG | Asymmetrical |

Isolux (Floor)

Luminaire position X=0.00m Y=0.00m Z=2.50m



LEDS C4[®]

Luminaire

Code 00-4926

Name BRAVO

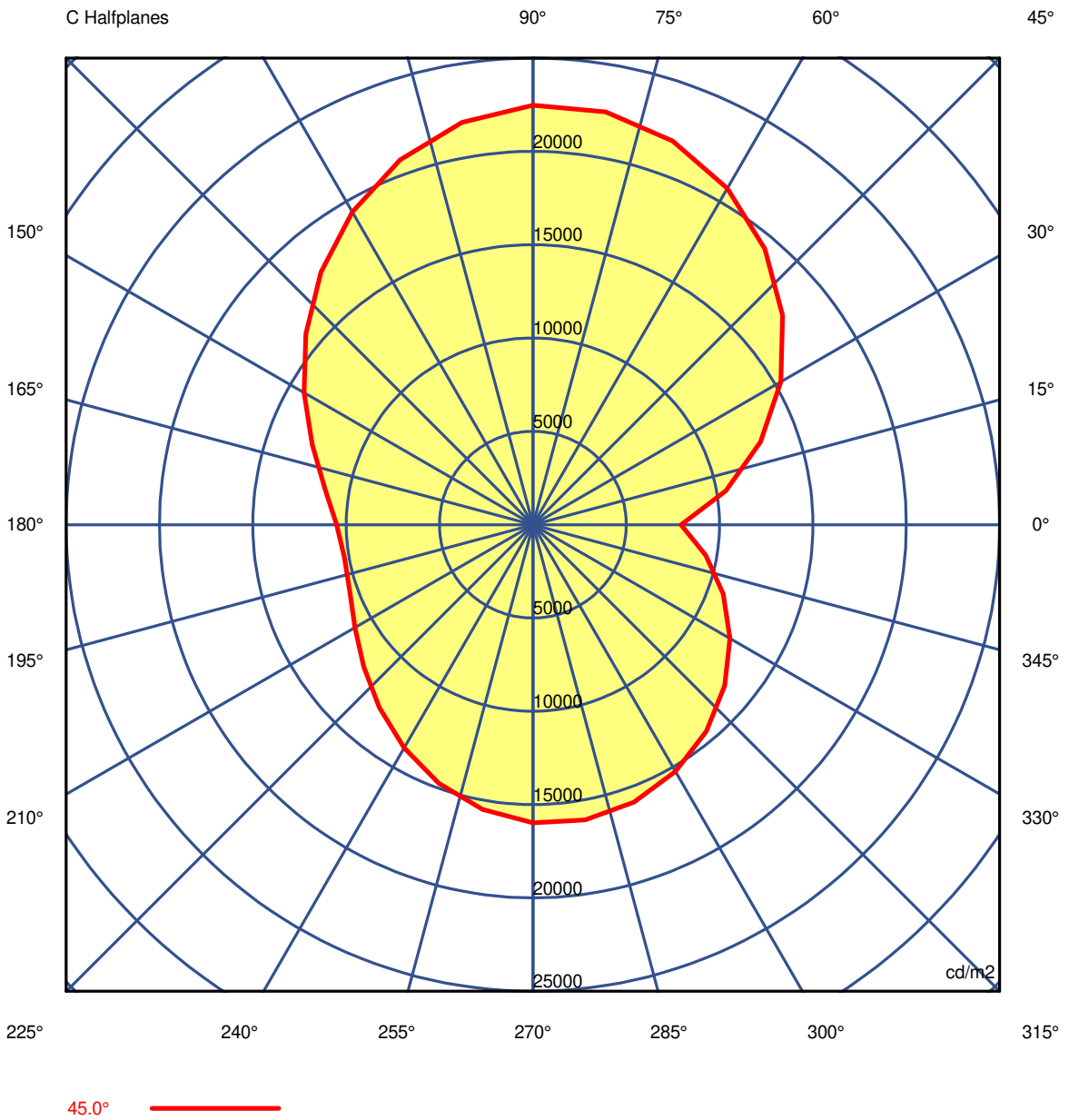
Measurem.

Code 00-4926

Name BRAVO

| | | | | | | | |
|----------------|------------|-----------------|---------------|----------|----------------|------------|--------------|
| Luminaire Flux | 2489.90 lm | Luminaire Power | 42.50 W | Efficacy | 58.59 lm/W | Efficiency | 58.50% |
| Sources Flux | 4256.00 lm | Maximum value | 213.61 cd/klm | Position | C=90.00 G=7.00 | CG | Asymmetrical |

Luminance



LEDS C4⁺

Luminaire

Code 00-4926
Name BRAVO

Measurement

Code 00-4926
Name BRAVO

Luminaire Flux 2489.90 lm Luminaire Power 42.50 W Efficacy 58.59 lm/W Efficiency 58.50%

Sources Flux 4256.00 lm Maximum value 213.61 cd/klm Position C=90.00 G=7.00 CG Asymmetrical

Luminance cd/m2 Table 1/3

| | C 0.00 | C 10.00 | C 20.00 | C 30.00 | C 40.00 | C 50.00 | C 60.00 | C 70.00 | C 80.00 | C 90.00 | C 100.00 | C 110.00 | C 120.00 |
|--------|----------|----------|----------|----------|----------|----------|----------|----------|----------|----------|----------|----------|----------|
| G 0.0 | 21410.24 | 21410.24 | 21410.24 | 21410.24 | 21410.24 | 21410.24 | 21410.24 | 21410.24 | 21410.24 | 21410.24 | 21410.24 | 21410.24 | 21410.24 |
| G 5.0 | 19779.79 | 20060.58 | 20336.39 | 20602.24 | 20853.17 | 21084.18 | 21290.31 | 21466.57 | 21607.99 | 21709.59 | 21768.32 | 21788.82 | 21777.67 |
| G 10.0 | 15291.36 | 16284.28 | 17258.10 | 18193.75 | 19072.12 | 19874.12 | 20580.67 | 21172.68 | 21631.04 | 21936.68 | 21789.48 | 21642.29 | 21495.10 |
| G 15.0 | 13868.51 | 15146.41 | 16397.13 | 17593.46 | 18708.23 | 19714.24 | 20584.31 | 21291.24 | 21807.85 | 22106.94 | 22173.48 | 22040.97 | 21755.08 |
| G 20.0 | 12909.74 | 14411.75 | 15878.79 | 17275.92 | 18568.17 | 19720.59 | 20698.20 | 21466.07 | 21989.21 | 22232.69 | 22177.68 | 21870.00 | 21371.61 |
| G 25.0 | 11950.11 | 13675.28 | 15357.51 | 16953.86 | 18421.39 | 19717.15 | 20798.22 | 21621.64 | 22144.47 | 22323.78 | 22136.93 | 21642.51 | 20919.41 |
| G 30.0 | 10900.65 | 12854.91 | 14758.34 | 16560.09 | 18209.31 | 19655.18 | 20846.84 | 21733.47 | 22264.21 | 22388.23 | 22079.07 | 21407.74 | 20469.66 |
| G 35.0 | 9866.77 | 12038.08 | 14151.27 | 16148.18 | 17970.70 | 19560.68 | 20859.99 | 21810.51 | 22354.09 | 22432.60 | 22015.99 | 21186.54 | 20054.60 |
| G 40.0 | 8868.07 | 11242.40 | 13551.95 | 15731.92 | 17717.52 | 19443.96 | 20846.45 | 21860.21 | 22420.43 | 22462.34 | 21952.55 | 20983.36 | 19678.47 |
| G 45.0 | 7923.97 | 10483.75 | 12972.87 | 15320.65 | 17456.43 | 19309.55 | 20809.34 | 21885.14 | 22466.27 | 22482.08 | 21896.18 | 20809.39 | 19356.80 |
| G 50.0 | 6294.01 | 9175.12 | 11975.17 | 14613.08 | 17007.78 | 19078.22 | 20743.31 | 21922.01 | 22533.23 | 22495.91 | 21768.59 | 20468.30 | 18751.67 |
| G 55.0 | 4816.06 | 7987.30 | 11068.11 | 13968.11 | 16596.86 | 18863.97 | 20679.02 | 21951.59 | 22591.27 | 22507.66 | 21654.69 | 20163.70 | 18210.41 |
| G 60.0 | 3619.52 | 7028.14 | 10338.62 | 13452.84 | 16272.67 | 18699.98 | 20636.64 | 21984.51 | 22645.47 | 22521.38 | 21562.32 | 19911.22 | 17759.18 |
| G 65.0 | 2309.86 | 5969.39 | 9523.05 | 12864.98 | 15889.33 | 18490.23 | 20561.82 | 21998.23 | 22693.61 | 22542.09 | 21489.81 | 19690.94 | 17351.65 |
| G 70.0 | 983.65 | 4903.17 | 8708.67 | 12286.14 | 15521.58 | 18300.96 | 20510.28 | 22035.52 | 22762.66 | 22577.71 | 21422.66 | 19463.66 | 16922.85 |
| G 75.0 | 418.57 | 4477.21 | 8416.66 | 12117.75 | 15461.30 | 18328.12 | 20599.02 | 22154.84 | 22876.38 | 22644.47 | 21398.46 | 19311.93 | 16616.98 |
| G 80.0 | 452.48 | 4516.67 | 8462.18 | 12170.33 | 15522.45 | 18399.84 | 20683.83 | 22255.74 | 22996.90 | 22788.61 | 21570.03 | 19511.65 | 16841.77 |
| G 85.0 | 633.78 | 4729.84 | 8707.06 | 12446.61 | 15829.64 | 18737.33 | 21050.83 | 22651.31 | 23419.92 | 23237.84 | 22043.68 | 20005.97 | 17350.66 |
| G 90.0 | 0.00 | 0.00 | 0.00 | 0.00 | 0.00 | 0.00 | 0.00 | 0.00 | 0.00 | 0.00 | 0.00 | 0.00 | 0.00 |

LEDS C4⁺

Luminaire

Code 00-4926

Name BRAVO

Measurement

Code 00-4926

Name BRAVO

| | | | | | | | |
|----------------|------------|-----------------|---------------|----------|----------------|------------|--------------|
| Luminaire Flux | 2489.90 lm | Luminaire Power | 42.50 W | Efficacy | 58.59 lm/W | Efficiency | 58.50% |
| Sources Flux | 4256.00 lm | Maximum value | 213.61 cd/klm | Position | C=90.00 G=7.00 | CG | Asymmetrical |

Luminance cd/m2 Table 2/3

| | C 130.00 | C 140.00 | C 150.00 | C 160.00 | C 170.00 | C 180.00 | C 190.00 | C 200.00 | C 210.00 | C 220.00 | C 230.00 | C 240.00 | C 250.00 |
|--------|----------|----------|----------|----------|----------|----------|----------|----------|----------|----------|----------|----------|----------|
| G 0.0 | 21410.24 | 21410.24 | 21410.24 | 21410.24 | 21410.24 | 21410.24 | 21410.24 | 21410.24 | 21410.24 | 21410.24 | 21410.24 | 21410.24 | 21410.24 |
| G 5.0 | 21741.45 | 21686.71 | 21620.03 | 21547.99 | 21477.16 | 21414.11 | 21363.68 | 21323.85 | 21290.85 | 21260.92 | 21230.32 | 21195.27 | 21152.02 |
| G 10.0 | 21347.91 | 21200.72 | 21053.53 | 20906.33 | 20759.14 | 20611.95 | 20606.89 | 20601.82 | 20596.75 | 20591.69 | 20586.62 | 20581.56 | 20576.49 |
| G 15.0 | 21361.46 | 20905.77 | 20433.66 | 19990.80 | 19622.84 | 19375.44 | 19280.45 | 19314.51 | 19440.45 | 19621.11 | 19819.30 | 19997.87 | 20119.64 |
| G 20.0 | 20744.47 | 20050.53 | 19351.75 | 18710.10 | 18187.53 | 17846.01 | 17728.73 | 17803.87 | 18020.84 | 18329.07 | 18677.96 | 19016.93 | 19295.40 |
| G 25.0 | 20046.53 | 19102.74 | 18166.96 | 17318.07 | 16634.97 | 16196.54 | 16057.77 | 16177.98 | 16492.60 | 16937.05 | 17446.74 | 17957.09 | 18403.51 |
| G 30.0 | 19360.23 | 18174.85 | 17008.93 | 15957.87 | 15117.07 | 14581.94 | 14418.97 | 14578.96 | 14983.84 | 15555.51 | 16215.86 | 16886.81 | 17490.26 |
| G 35.0 | 18730.53 | 17324.69 | 15947.44 | 14709.13 | 13720.12 | 13090.77 | 12898.05 | 13085.37 | 13562.76 | 14240.23 | 15027.82 | 15835.54 | 16573.43 |
| G 40.0 | 18161.59 | 16556.42 | 14986.66 | 13576.02 | 12448.20 | 11726.91 | 11498.54 | 11700.25 | 12231.86 | 12993.24 | 13884.21 | 14804.61 | 15654.29 |
| G 45.0 | 17673.50 | 15894.59 | 14155.17 | 12590.33 | 11335.17 | 10524.78 | 10253.70 | 10454.21 | 11018.03 | 11836.86 | 12802.44 | 13806.47 | 14740.68 |
| G 50.0 | 16775.31 | 14695.87 | 12669.96 | 10854.23 | 9405.30 | 8479.81 | 8187.19 | 8448.21 | 9136.43 | 10125.43 | 11288.78 | 12500.04 | 13632.79 |
| G 55.0 | 15970.51 | 13619.69 | 11333.67 | 9288.14 | 7658.81 | 6621.36 | 6298.56 | 6601.38 | 7387.85 | 8515.98 | 9843.80 | 11229.33 | 12530.61 |
| G 60.0 | 15297.35 | 12716.83 | 10208.77 | 7964.27 | 6174.46 | 5030.48 | 4665.96 | 4984.66 | 5832.86 | 7056.83 | 8502.85 | 10017.19 | 11446.14 |
| G 65.0 | 14678.12 | 11876.50 | 9152.98 | 6713.72 | 4764.90 | 3512.68 | 3101.39 | 3427.95 | 4327.44 | 5634.91 | 7185.46 | 8814.15 | 10356.05 |
| G 70.0 | 14022.41 | 10984.49 | 8031.24 | 5384.83 | 3267.42 | 1901.17 | 1441.72 | 1778.70 | 2735.20 | 4134.33 | 5799.21 | 7552.93 | 9218.61 |
| G 75.0 | 13545.73 | 10330.29 | 7202.76 | 4395.26 | 2139.90 | 668.79 | 144.92 | 454.75 | 1415.66 | 2844.97 | 4560.06 | 6378.26 | 8116.93 |
| G 80.0 | 13788.70 | 10580.76 | 7446.25 | 4613.49 | 2310.79 | 766.47 | 141.68 | 329.04 | 1154.03 | 2442.10 | 4018.72 | 5709.37 | 7339.52 |
| G 85.0 | 14303.72 | 11091.13 | 7938.86 | 5072.88 | 2719.16 | 1103.66 | 386.68 | 465.76 | 1172.76 | 2339.54 | 3797.95 | 5379.86 | 6917.12 |
| G 90.0 | 0.00 | 0.00 | 0.00 | 0.00 | 0.00 | 0.00 | 0.00 | 0.00 | 0.00 | 0.00 | 0.00 | 0.00 | 0.00 |

LEDS C4[®]

Luminaire

Code 00-4926

Name BRAVO

Measurem.

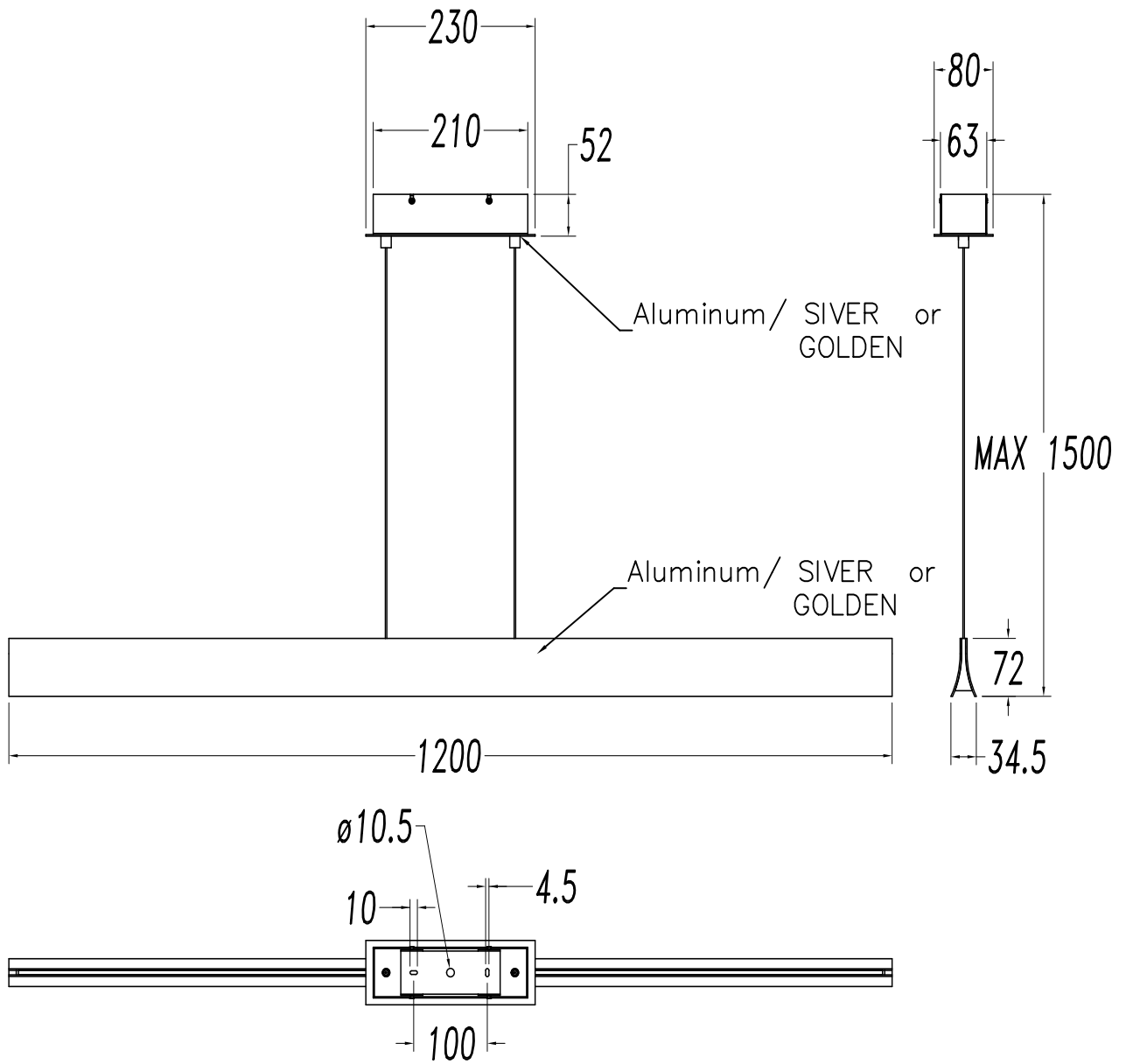
Code 00-4926

Name BRAVO

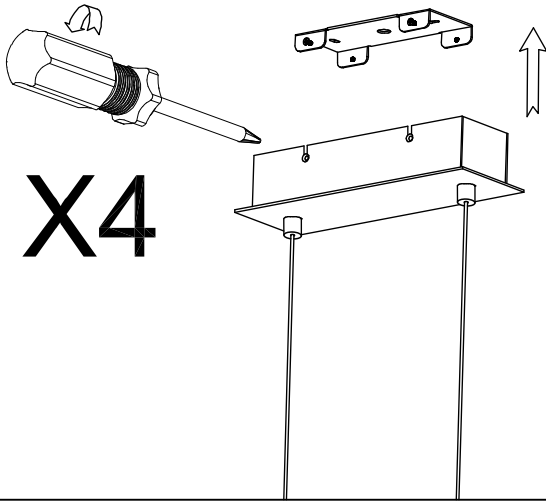
| | | | | | | | |
|----------------|------------|-----------------|---------------|----------|----------------|------------|--------------|
| Luminaire Flux | 2489.90 lm | Luminaire Power | 42.50 W | Efficacy | 58.59 lm/W | Efficiency | 58.50% |
| Sources Flux | 4256.00 lm | Maximum value | 213.61 cd/klm | Position | C=90.00 G=7.00 | CG | Asymmetrical |

Luminance cd/m2 Table 3/3

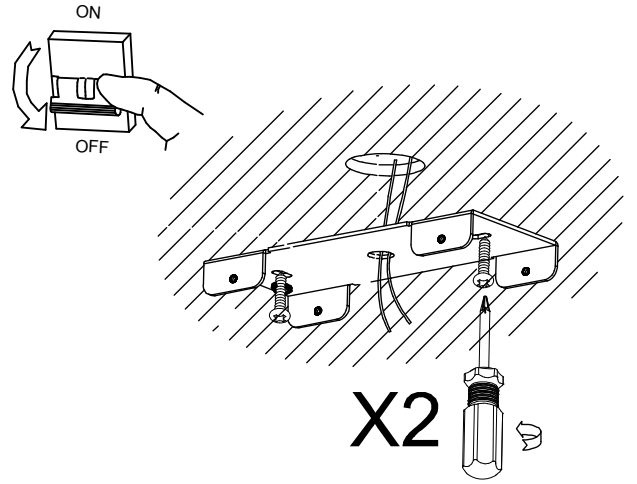
| | C 260.00 | C 270.00 | C 280.00 | C 290.00 | C 300.00 | C 310.00 | C 320.00 | C 330.00 | C 340.00 | C 350.00 |
|--------|----------|----------|----------|----------|----------|----------|----------|----------|----------|----------|
| G 0.0 | 21410.24 | 21410.24 | 21410.24 | 21410.24 | 21410.24 | 21410.24 | 21410.24 | 21410.24 | 21410.24 | 21410.24 |
| G 5.0 | 21096.81 | 21025.89 | 20936.48 | 20829.76 | 20707.90 | 20573.05 | 20427.38 | 20273.06 | 20112.24 | 19947.10 |
| G 10.0 | 20571.42 | 20566.36 | 20285.16 | 19896.35 | 19413.37 | 18849.68 | 18218.72 | 17533.96 | 16808.85 | 16056.83 |
| G 15.0 | 20147.45 | 20044.13 | 19781.82 | 19369.90 | 18827.09 | 18172.08 | 17423.57 | 16600.25 | 15720.84 | 14804.02 |
| G 20.0 | 19462.78 | 19468.50 | 19274.32 | 18891.46 | 18343.52 | 17654.08 | 16846.71 | 15945.02 | 14972.56 | 13952.95 |
| G 25.0 | 18721.43 | 18846.27 | 18728.97 | 18382.63 | 17835.89 | 17117.37 | 16255.69 | 15279.50 | 14217.42 | 13098.08 |
| G 30.0 | 17948.11 | 18182.28 | 18133.26 | 17815.99 | 17263.99 | 16510.81 | 15589.97 | 14535.00 | 13379.43 | 12156.81 |
| G 35.0 | 17151.51 | 17479.79 | 17489.60 | 17197.40 | 16640.94 | 15857.97 | 14886.24 | 13763.50 | 12527.51 | 11216.01 |
| G 40.0 | 16333.09 | 16740.85 | 16800.97 | 16531.14 | 15972.59 | 15166.58 | 14154.34 | 12977.13 | 11676.18 | 10292.75 |
| G 45.0 | 15496.78 | 15966.48 | 16066.87 | 15816.43 | 15259.02 | 14438.50 | 13398.71 | 12183.51 | 10836.75 | 9402.29 |
| G 50.0 | 14560.60 | 15157.04 | 15325.23 | 15086.49 | 14491.68 | 13591.68 | 12437.35 | 11079.55 | 9569.15 | 7957.01 |
| G 55.0 | 13605.65 | 14312.49 | 14542.24 | 14318.50 | 13697.94 | 12737.26 | 11493.15 | 10022.28 | 8381.36 | 6627.05 |
| G 60.0 | 12635.97 | 13432.95 | 13719.11 | 13519.43 | 12894.65 | 11905.48 | 10612.67 | 9076.94 | 7359.01 | 5519.63 |
| G 65.0 | 11646.25 | 12519.80 | 12850.05 | 12663.35 | 12024.32 | 10997.58 | 9647.74 | 8039.44 | 6237.28 | 4305.88 |
| G 70.0 | 10619.34 | 11578.23 | 11959.34 | 11790.47 | 11140.36 | 10077.76 | 8671.42 | 6990.10 | 5102.53 | 3077.46 |
| G 75.0 | 9593.43 | 10625.09 | 11071.35 | 10959.84 | 10360.30 | 9342.44 | 7975.98 | 6330.65 | 4476.15 | 2482.22 |
| G 80.0 | 8734.62 | 9720.15 | 10161.48 | 10083.61 | 9551.44 | 8629.87 | 7383.79 | 5878.11 | 4177.74 | 2347.56 |
| G 85.0 | 8241.60 | 9185.16 | 9617.84 | 9562.46 | 9080.03 | 8231.56 | 7078.05 | 5680.51 | 4099.94 | 2397.37 |
| G 90.0 | 0.00 | 0.00 | 0.00 | 0.00 | 0.00 | 0.00 | 0.00 | 0.00 | 0.00 | 0.00 |



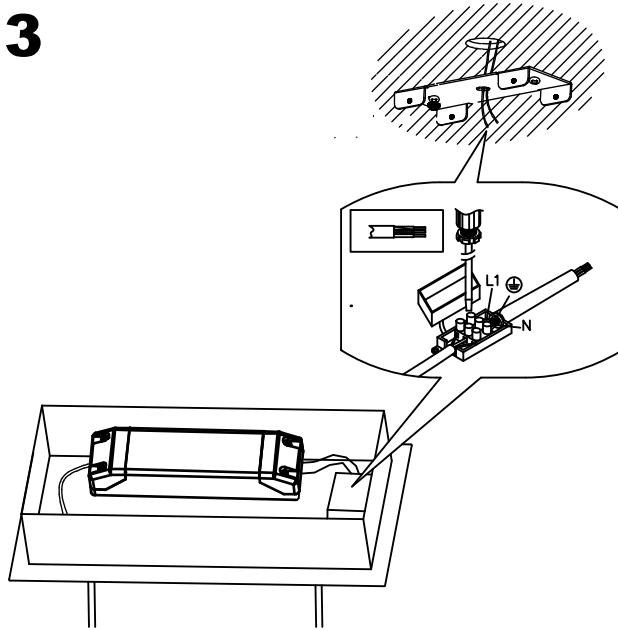
1



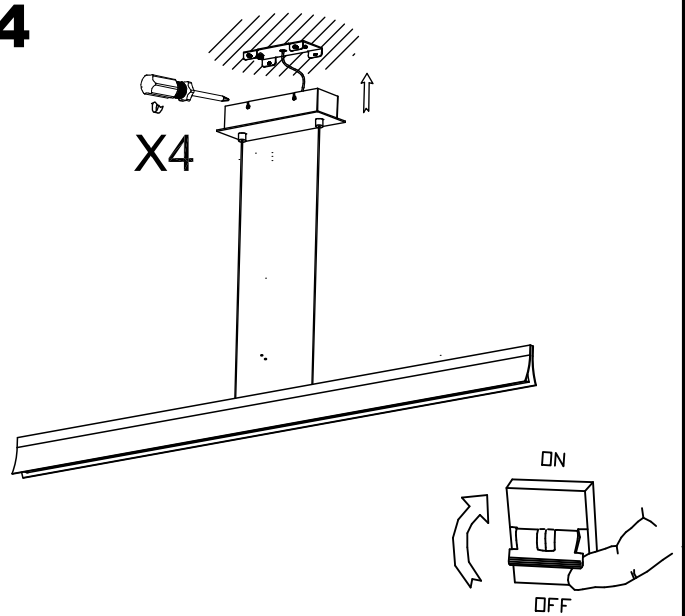
2



3



4



5

