

00-4851-E4-19

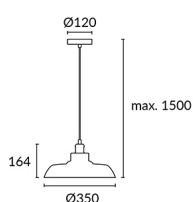
V0

Vintage Pendant

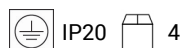
Designer: Carlos Santolaria

Description

Pendant Vintage E27 100W Patina



	Finish	Material
Structure	Patina	Steel



TECHNICAL CHARACTERISTICS

Light source

Lampholder: 0 x E27
 Light source power (W): MAX 100W
 Luminaire total power (W): 100W
 Lamp maximum dimension: 130/75 mm
 Recommended lamp: E27

GEAR

Voltage / Frequency:
 100-240V/50-60Hz

Luminaire

Warranty: 5 Years

Logistics

Energy Efficiency: NO BULB
 EAN Code: 8435381424640
 Net Weight (Kg): 1.18
 Weight in Kg (packaged): 2.16
 Packing: 420 x 175 x 420
 Masterbox: 4

Smart Compatible

71-8219-00-00: LightForLife
 RGBW E27 Light Bulb

The photograph may not match the reference exactly. Please read the product description to identify the finish.

OPTIONAL ACCESSORIES



71-4851-14-14

Ceiling rose for recessing

Structure material: Aluminium

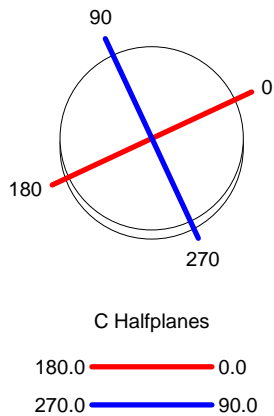
Dimensions: 85 x 146 x 51

Net Weight (Kg): 0.1

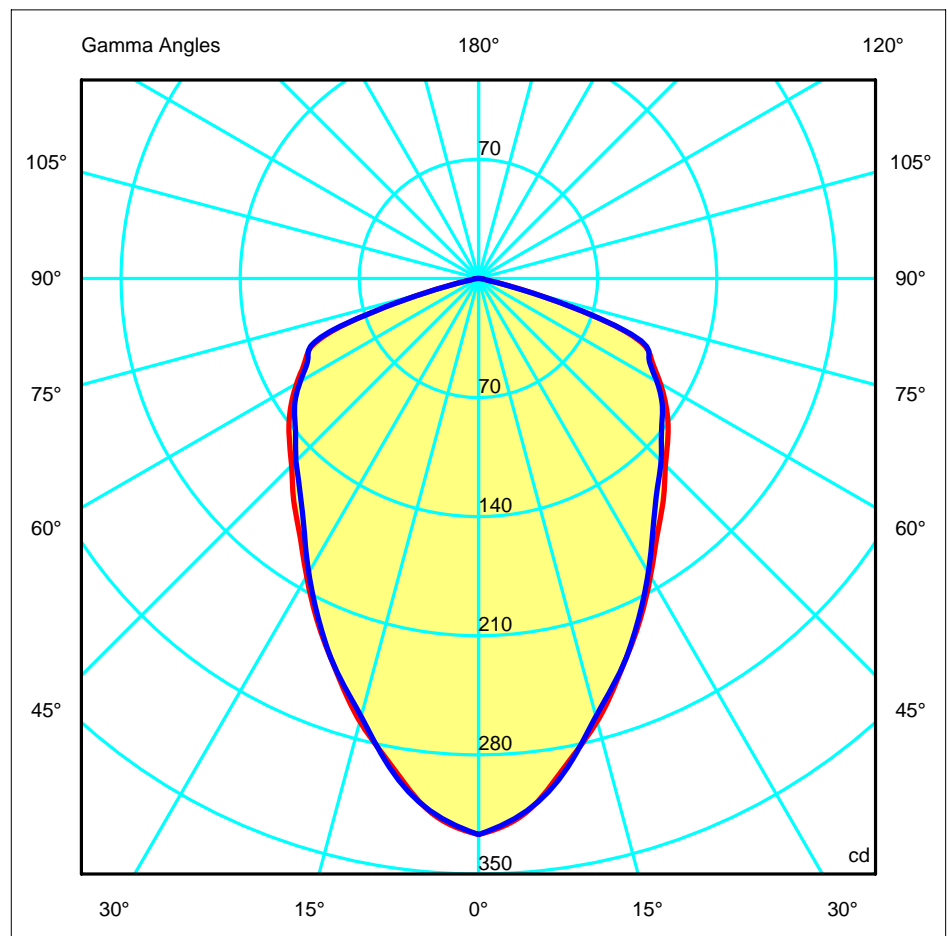
Luminaire		Measur.		Lamp	
Code	00-4851-E4-19	Code	00-4851-E4-19	Code	STANDAR GOC 100W O
Name	Colgante VINTAGE 100W A55 E27	Name	Colgante VINTAGE 100W A55 E27	Number	1
Line	- LEDS-C4	Date	09-04-2015	Position	Universal
Efficiency	53.85%	Coordinate system	CG	Total Flux	1340.00 lm
Maximum value	326.78 cd	Position	C=0.00 G=0.00	Double Symmetrical	
Round Luminaire	Diam.	350 mm	Height	167 mm	
Round Luminous Area	Diam.	344 mm	Height	0 mm	
Horizontal Luminous Area	0.092941 m2	Emitting area on Plane 180°	0.000000 m2	Emitting area on Plane 270°	0.000000 m2
Emitting area on Plane 0°	0.000000 m2	Glare area at 76°	0.022484 m2		
Emitting area on Plane 90°	0.000000 m2				
Symmetry Type	Double Symmetrical	Maximum Gamma Angle	90	Measurement Flux	1271.12 lm
Measurement Distance	6.44				
Operator	Asselum T2	Source voltage	230.00 V		
Temperature	21.00 °C	Source current			
Humidity	45.00 %	Photocell	Prc		
Notes					

Luminaire Lamps						
Line	Code	Name	Flux [lm]	Pow. [W]	Q.ty	
PHILIPS 2005 ILCOS IA,IB,IC	STANDAR GOC 100W O	STANDAR GOCCIA 100W E27 OPALE	1340.00	100.00	1	
C.I.E.	47 78 97 100 54	D DIN 5040				
F UTE	0.54 E	B NBN				
		A30				
		BZ 4				

Diam=350mm



ULOR 0.00 %
DLOR 53.85 %
RN 0.00 %



Luminaire		Measur.		Lamp	
Code	00-4851-E4-19	Code	00-4851-E4-19	Code	STANDAR GOC 100W O
Name	Colgante VINTAGE 100W A55 E27	Name	Colgante VINTAGE 100W A55 E27	Number	1
Line	- LEDS-C4	Date	09-04-2015	Position	Universal
Efficiency	53.85%	Coordinate system	CG	Total Flux	1340.00 lm
Maximum value	326.78 cd	Position	C=0.00 G=0.00	Double Symmetrical	

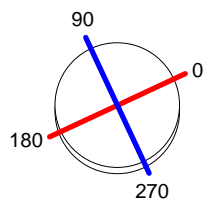
Luminous Intensity Table cd Table 1/1

	C 0.00	C 15.00	C 30.00	C 45.00	C 60.00	C 75.00	C 90.00
G 0.0	326.78	326.78	326.78	326.78	326.78	326.78	326.78
G 5.0	315.47	317.66	316.96	316.28	315.80	315.92	314.72
G 10.0	291.44	294.26	295.78	292.57	290.94	291.01	293.68
G 15.0	269.46	271.36	271.68	269.29	268.48	268.10	266.47
G 20.0	245.15	247.05	247.01	245.32	243.13	244.23	244.80
G 25.0	223.36	225.63	225.40	223.51	221.97	221.85	221.85
G 30.0	202.07	204.30	204.36	202.21	200.40	200.33	199.54
G 35.0	183.25	184.27	183.94	181.93	179.73	179.66	178.89
G 40.0	169.07	169.15	169.14	167.44	165.59	164.64	163.13
G 45.0	155.32	156.68	155.93	154.59	152.77	152.02	151.69
G 50.0	145.35	146.11	145.54	144.29	143.05	141.88	140.34
G 55.0	135.00	135.06	135.34	133.70	133.17	131.44	131.96
G 60.0	123.37	124.87	124.17	123.58	122.70	121.95	120.97
G 65.0	111.98	114.19	113.63	112.55	112.94	111.57	110.50
G 70.0	93.28	93.09	96.78	92.51	94.47	91.98	95.32
G 75.0	32.55	39.07	46.50	42.97	38.00	40.98	31.74
G 80.0	4.65	4.06	4.97	4.75	3.79	4.98	4.16
G 85.0	2.21	2.26	2.33	2.17	2.12	2.12	2.14
G 90.0	0.59	0.65	0.66	0.73	0.75	0.75	0.76

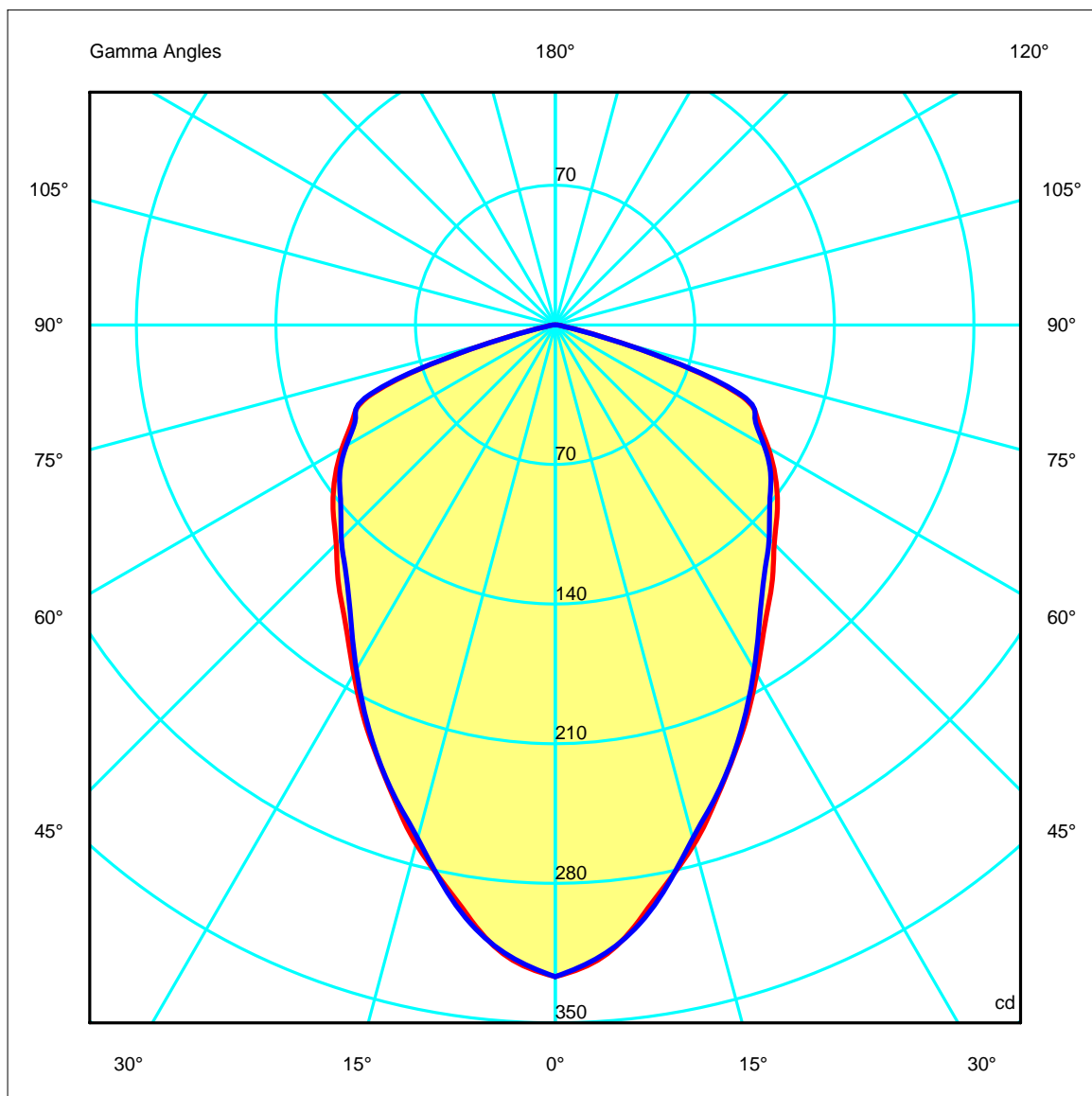
Luminaire		Measur.		Lamp	
Code	00-4851-E4-19	Code	00-4851-E4-19	Code	STANDAR GOC 100W O
Name	Colgante VINTAGE 100W A55 E27	Name	Colgante VINTAGE 100W A55 E27	Number	1
Line	- LEDS-C4	Date	09-04-2015	Position	Universal
Efficiency	53.85%	Coordinate system	CG	Total Flux	1340.00 lm
Maximum value	326.78 cd	Position	C=0.00 G=0.00	Double Symmetrical	

Diam=350mm

C Halfplanes

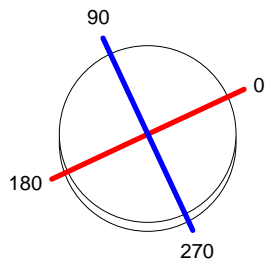


180.0 ————— 0.0
 270.0 ————— 90.0

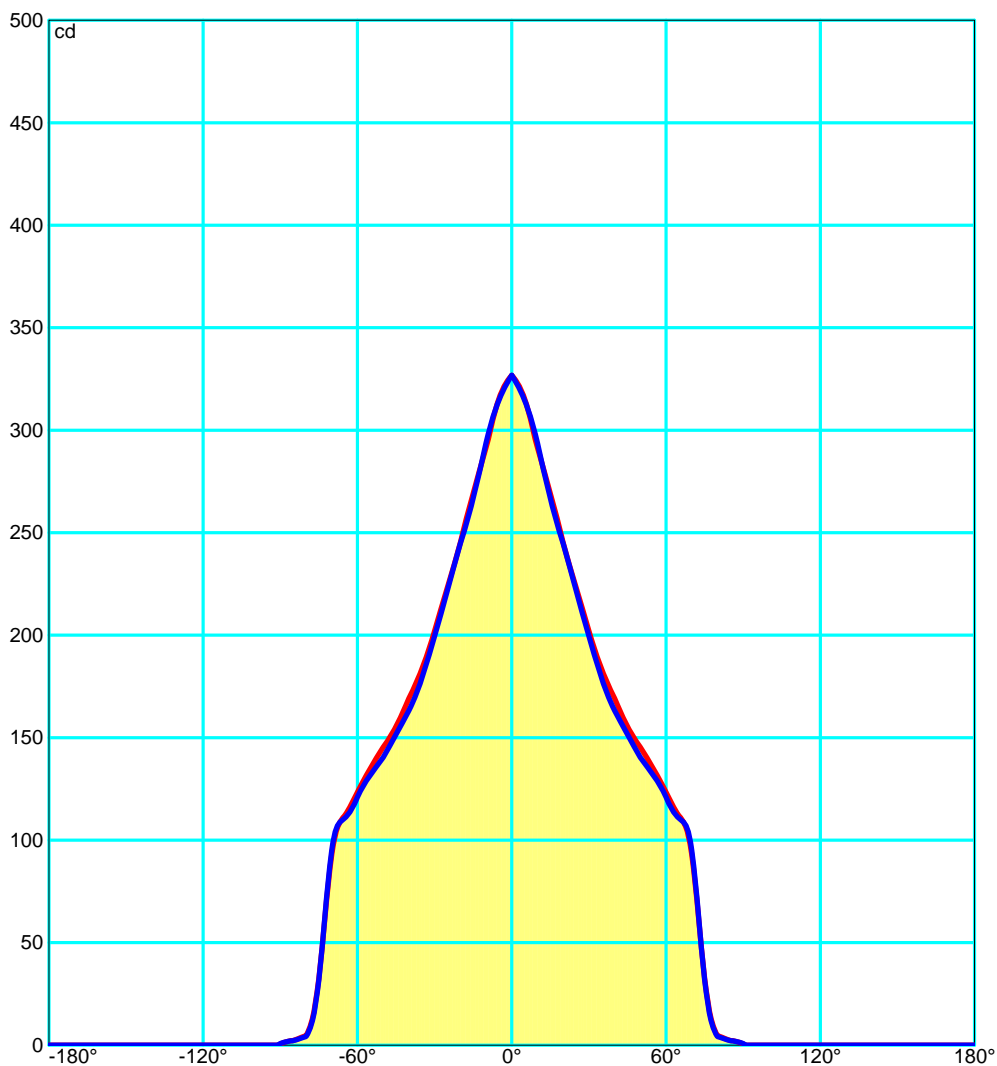


Luminaire		Measur.		Lamp	
Code	00-4851-E4-19	Code	00-4851-E4-19	Code	STANDAR GOC 100W O
Name	Colgante VINTAGE 100W A55 E27	Name	Colgante VINTAGE 100W A55 E27	Number	1
Line	- LEDS-C4	Date	09-04-2015	Position	Universal
Efficiency	53.85%	Coordinate system	CG	Total Flux	1340.00 lm
Maximum value	326.78 cd	Position	C=0.00 G=0.00	Double Symmetrical	

Diam=350mm



C Halfplanes



Luminaire		Measur.		Lamp	
Code	00-4851-E4-19	Code	00-4851-E4-19	Code	STANDAR GOC 100W O
Name	Colgante VINTAGE 100W A55 E27	Name	Colgante VINTAGE 100W A55 E27	Number	1
Line	- LEDS-C4	Date	09-04-2015	Position	Universal
Efficiency	53.85%	Coordinate system	CG	Total Flux	1340.00 lm
Maximum value	326.78 cd	Position	C=0.00 G=0.00	Double Symmetrical	

UGR
S = 0.250

Reflectancies										
Ceiling/Cavity	0.7	0.7	0.5	0.5	0.3	0.7	0.7	0.5	0.5	0.3
Walls	0.5	0.3	0.5	0.3	0.3	0.5	0.3	0.5	0.3	0.3
WorkingPlane	0.2	0.2	0.2	0.2	0.2	0.2	0.2	0.2	0.2	0.2
RoomDimensions	ViewedCrosswise					ViewedEndwise				
x=2H y=2H	16.0	17.3	16.3	17.6	17.7	15.9	17.2	16.2	17.5	17.7
x=2H y=3H	18.3	19.5	18.7	19.8	20.0	18.2	19.4	18.6	19.7	20.0
x=2H y=4H	18.7	19.9	19.1	20.2	20.4	18.7	19.8	19.0	20.1	20.4
x=2H y=6H	18.7	19.8	19.1	20.0	20.3	18.6	19.7	19.0	20.0	20.3
x=2H y=8H	18.7	19.7	19.0	20.0	20.3	18.6	19.6	19.0	19.9	20.3
x=2H y=12H	18.7	19.6	19.0	19.9	20.2	18.6	19.5	19.0	19.9	20.2
x=4H y=2H	17.1	18.2	17.4	18.5	18.7	17.0	18.1	17.3	18.4	18.7
x=4H y=3H	19.5	20.4	19.9	20.8	21.0	19.4	20.3	19.7	20.7	21.0
x=4H y=4H	19.9	20.8	20.3	21.1	21.4	19.8	20.7	20.2	21.0	21.4
x=4H y=6H	19.9	20.6	20.3	21.0	21.4	19.8	20.5	20.2	20.9	21.4
x=4H y=8H	19.9	20.6	20.3	20.9	21.3	19.8	20.5	20.2	20.9	21.3
x=4H y=12H	19.9	20.5	20.3	20.9	21.2	19.8	20.4	20.2	20.8	21.2
x=8H y=4H	20.1	20.8	20.5	21.2	21.5	20.0	20.7	20.4	21.1	21.5
x=8H y=6H	20.1	20.7	20.6	21.1	21.5	20.0	20.6	20.5	21.0	21.5
x=8H y=8H	20.1	20.6	20.6	21.0	21.4	20.0	20.5	20.5	20.9	21.4
x=8H y=12H	20.1	20.5	20.6	20.9	21.3	20.0	20.4	20.5	20.8	21.3
x=12H y=4H	20.1	20.7	20.5	21.1	21.4	20.0	20.6	20.4	21.0	21.4
x=12H y=6H	20.1	20.6	20.6	21.0	21.4	20.0	20.5	20.5	20.9	21.4
x=12H y=8H	20.1	20.5	20.6	20.9	21.3	20.0	20.4	20.5	20.8	21.3

Luminaire		Measur.		Lamp	
Code	00-4851-E4-19	Code	00-4851-E4-19	Code	STANDAR GOC 100W O
Name	Colgante VINTAGE 100W A55 E27	Name	Colgante VINTAGE 100W A55 E27	Number	1
Line	- LEDS-C4	Date	09-04-2015	Position	Universal
Efficiency	53.85%	Coordinate system	CG	Total Flux	1340.00 lm
Maximum value	326.78 cd	Position	C=0.00 G=0.00	Double Symmetrical	

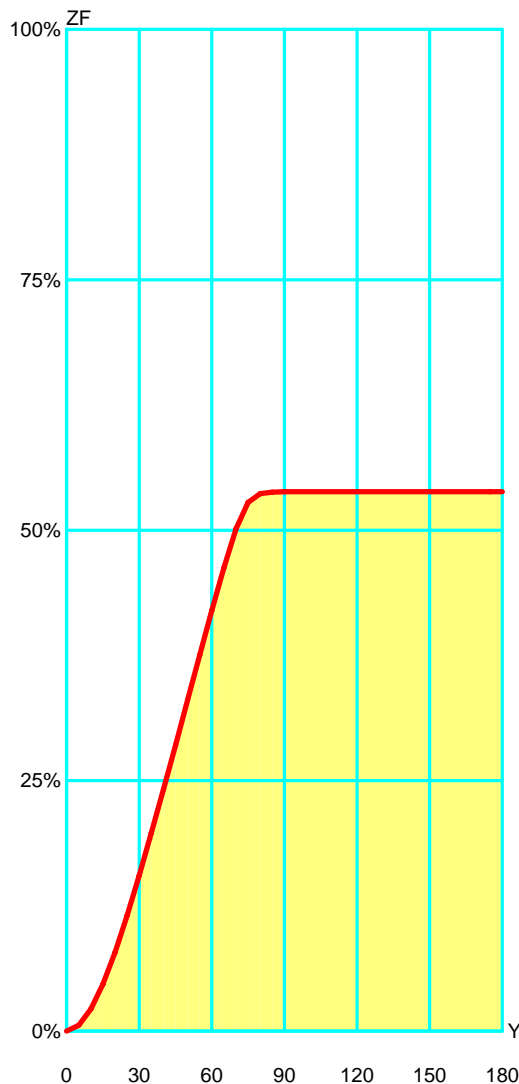
Total Flux=1340.00 Luminaire Flux=721.62

RI	0.60	0.80	1.00	1.25	1.50	2.00	2.50	3.00	4.00	5.00	10.00	20.00
DRR	0.31	0.39	0.46	0.54	0.59	0.68	0.74	0.79	0.84	0.88	0.94	0.98
RC	5	5	5	5	5	5	5	4	4	4	3	2

Zonal Flux per 1000 Lumen																		
Y°	10	20	30	40	50	60	70	80	90	100	110	120	130	140	150	160	170	180
ZF(Y)	22	79	155	241	330	420	502	537	539	539	539	539	539	539	539	539	539	539

CIE Flux Codes
47 78 97 100 54

C.I.E.	5/5/5/5/5/5/4/4/3/2	LOR	53.85207 %
D DIN 5040	A30	ULOR	0.00000 %
F UTE	0.54 E	DLOR	53.85207 %
B NBN	BZ 4	UFF	0.00000 %
RN	0.00000 %	DFF	100.00000 %
BLF	1.0	FFR	0.00000 %



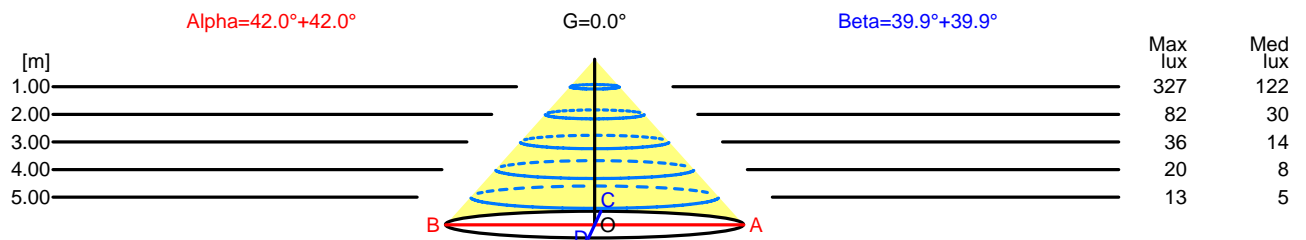
Zonal Flux				
Gamma °	Flux	Sum lm	Flux [%]	Sum [%]
0°	0.00	0.00	0.00%	0.00 %
5°	5.74	5.74	1.07 %	1.07 %
10°	16.26	22.00	3.02 %	4.09 %
15°	24.89	46.89	4.62 %	8.71 %
20°	31.66	78.55	5.88 %	14.59 %
25°	36.69	115.24	6.81 %	21.40 %
30°	40.19	155.43	7.46 %	28.86 %
35°	42.18	197.61	7.83 %	36.70 %
40°	43.43	241.04	8.06 %	44.76 %
45°	44.39	285.43	8.24 %	53.00 %
50°	44.97	330.40	8.35 %	61.35 %
55°	45.05	375.45	8.37 %	69.72 %
60°	44.32	419.77	8.23 %	77.95 %
65°	42.80	462.57	7.95 %	85.90 %
70°	39.03	501.60	7.25 %	93.14 %
75°	26.10	527.70	4.85 %	97.99 %
80°	8.87	536.57	1.65 %	99.64 %
85°	1.36	537.93	0.25 %	99.89 %
90°	0.59	538.52	0.11 %	100.00 %
95°	0.00	538.52	0.00 %	100.00 %
100°	0.00	538.52	0.00 %	100.00 %
105°	0.00	538.52	0.00 %	100.00 %
110°	0.00	538.52	0.00 %	100.00 %
115°	0.00	538.52	0.00 %	100.00 %
120°	0.00	538.52	0.00 %	100.00 %
125°	0.00	538.52	0.00 %	100.00 %
130°	0.00	538.52	0.00 %	100.00 %
135°	0.00	538.52	0.00 %	100.00 %
140°	0.00	538.52	0.00 %	100.00 %
145°	0.00	538.52	0.00 %	100.00 %
150°	0.00	538.52	0.00 %	100.00 %
155°	0.00	538.52	0.00 %	100.00 %
160°	0.00	538.52	0.00 %	100.00 %
165°	0.00	538.52	0.00 %	100.00 %
170°	0.00	538.52	0.00 %	100.00 %
175°	0.00	538.52	0.00 %	100.00 %
180°	0.00	538.52	0.00 %	100.00 %

Luminaire		Measur.		Lamp	
Code	00-4851-E4-19	Code	00-4851-E4-19	Code	STANDAR GOC 100W O
Name	Colgante VINTAGE 100W A55 E27	Name	Colgante VINTAGE 100W A55 E27	Number	1
Line	- LEDS-C4	Date	09-04-2015	Position	Universal
Efficiency	53.85%	Coordinate system	CG	Total Flux	1340.00 lm
Maximum value	326.78 cd	Position	C=0.00 G=0.00	Double Symmetrical	

Width at 50.00 % of Max Intensity

H[m]	1.00	2.00	3.00	4.00	5.00	H[m]	1.00	2.00	3.00	4.00	5.00
OA	0.90	1.80	2.70	3.60	4.50	OC	0.84	1.67	2.51	3.34	4.18
OB	0.90	1.80	2.70	3.60	4.50	OD	0.84	1.67	2.51	3.34	4.18

	Luminous Intensities [cd]									
	0	5	15	25	35	45	55	65	75	85
OA	326.78	315.47	269.46	223.36	183.25	155.32	135.00	111.98	92.55	75.22
OB	326.78	315.47	269.46	223.36	183.25	155.32	135.00	111.98	92.55	75.22
OC	326.78	314.72	266.47	221.85	178.89	151.69	131.96	110.50	91.74	74.21
OD	326.78	314.72	266.47	221.85	178.89	151.69	131.96	110.50	91.74	74.21



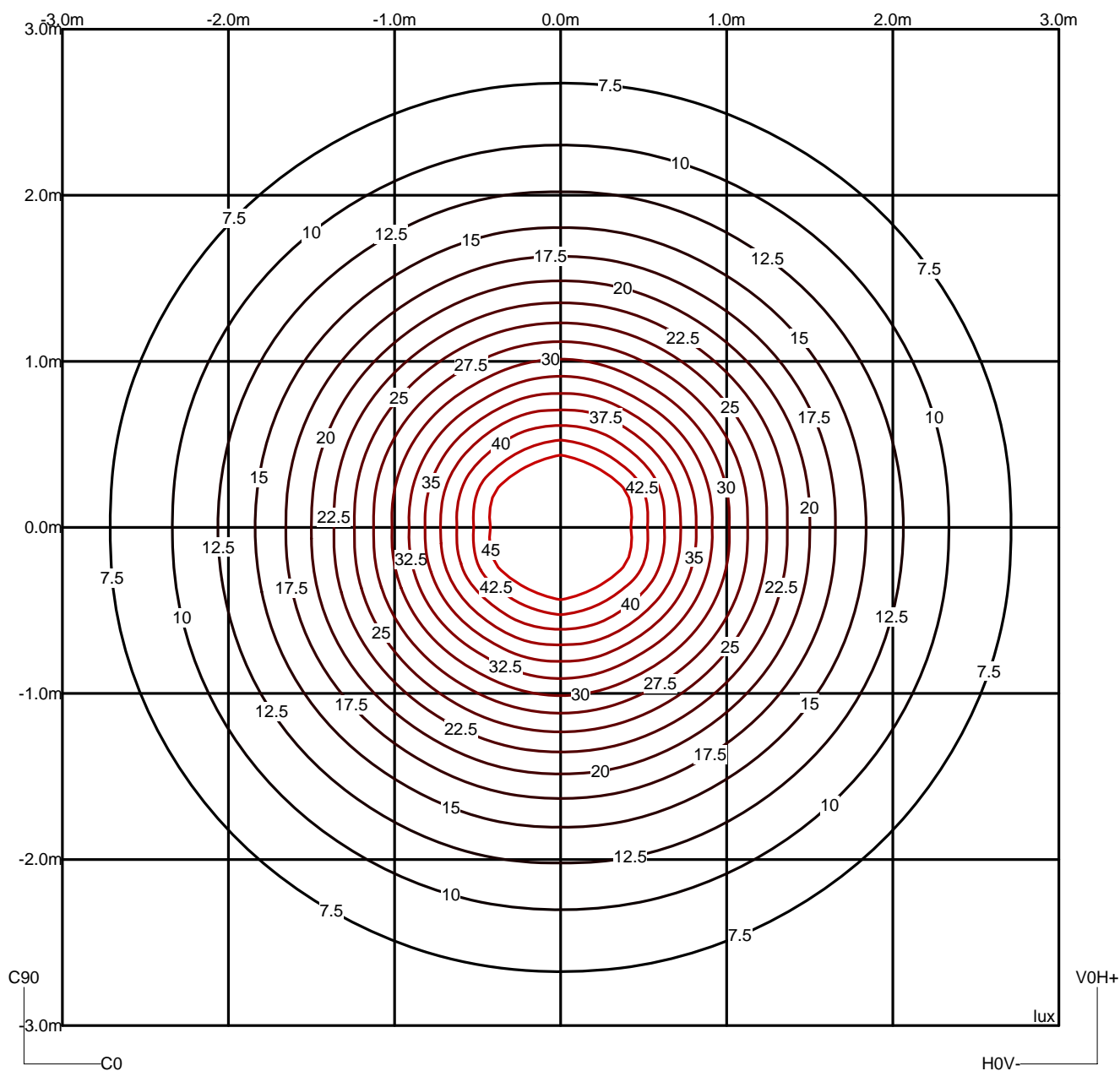
H[m]	D[m]	Max lux	Med lux	Alpha=42.0°+42.0°	G=0.0
1.00	1.80	327	122		
2.00	3.60	82	30		
3.00	5.40	36	14		
4.00	7.20	20	8		
5.00	9.00	13	5		

H[m]	D[m]	Max lux	Med lux	Beta=39.9°+39.9°	G=0.0
1.00	1.67	327	122		
2.00	3.34	82	30		
3.00	5.02	36	14		
4.00	6.69	20	8		
5.00	8.36	13	5		

Luminaire		Measur.		Lamp	
Code	00-4851-E4-19	Code	00-4851-E4-19	Code	STANDAR GOC 100W O
Name	Colgante VINTAGE 100W A55 E27	Name	Colgante VINTAGE 100W A55 E27	Number	1
Line	- LEDS-C4	Date	09-04-2015	Position	Universal
Efficiency	53.85%	Coordinate system	CG	Total Flux	1340.00 lm
Maximum value	326.78 cd	Position	C=0.00 G=0.00	Double Symmetrical	

Isolux (Floor)

Luminaire position X=0.00m Y=0.00m Z=2.50m



Luminaire		Measur.		Lamp	
Code	00-4851-E4-19	Code	00-4851-E4-19	Code	STANDAR GOC 100W O
Name	Colgante VINTAGE 100W A55 E27	Name	Colgante VINTAGE 100W A55 E27	Number	1
Line	- LEDS-C4	Date	09-04-2015	Position	Universal
Efficiency	53.85%	Coordinate system	CG	Total Flux	1340.00 lm
Maximum value	326.78 cd	Position	C=0.00 G=0.00	Double Symmetrical	

Utilizations CIE

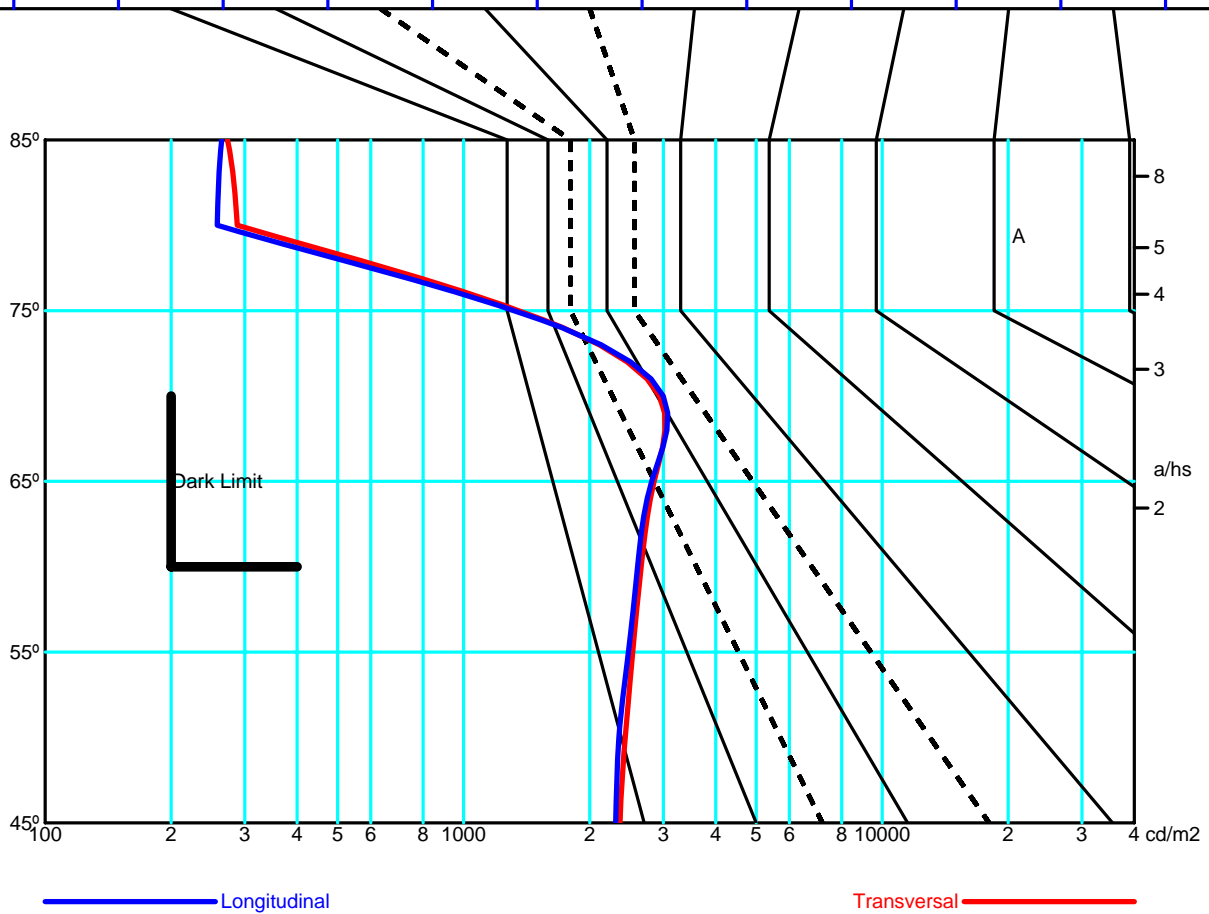
Mounting	Direct	Normalization										Suspension Ratio			Standard CIE Settings									
		8873	8773	8871	8771	7773	7771	7753	7553	7751	7551	7731	7331	7711	7111	5551	5531	5331	5511	5111	3331	3311	1111	0000
Ceiling																								
K		8873	8773	8871	8771	7773	7771	7753	7553	7751	7551	7731	7331	7711	7111	5551	5531	5331	5511	5111	3331	3311	1111	0000
0.60		117	105	92	83	100	79	60	51	47	40	25	19	9	6	37	20	18	7	6	17	6	5	0
0.80		135	124	98	91	118	87	75	66	54	47	30	24	13	9	44	25	23	11	9	22	9	8	0
1.00		148	137	99	93	131	89	88	78	57	52	34	28	16	12	48	29	27	14	12	25	12	11	0
1.25		158	149	98	93	142	89	100	91	60	55	37	32	19	15	52	32	30	17	15	29	15	14	0
1.50		166	158	95	91	150	88	111	102	61	57	40	35	22	18	53	35	33	20	18	31	18	16	0
2.00		175	168	89	86	160	83	126	118	61	58	43	39	28	24	55	39	37	25	23	35	23	21	0
2.50		181	175	84	82	167	79	137	130	61	58	45	41	32	28	55	41	40	29	27	38	27	25	0
3.00		185	180	80	78	172	76	145	139	60	58	47	43	35	31	55	43	42	32	30	40	30	28	0
4.00		191	187	75	73	179	72	157	151	60	58	49	46	39	36	56	46	45	37	35	43	35	33	0
5.00		194	191	71	70	183	69	165	160	59	58	50	48	42	40	56	48	47	40	38	45	38	36	0
10.00		202	200	64	64	192	62	183	180	58	57	54	52	49	48	55	51	51	48	47	50	46	44	0
20.00		206	206	60	60	197	59	193	191	57	57	55	55	54	53	55	54	53	52	51	52	51	49	0
Wall																								
K		8873	8773	8871	8771	7773	7771	7753	7553	7751	7551	7731	7331	7711	7111	5551	5531	5331	5511	5111	3331	3311	1111	0000
0.60		251	245	219	215	241	212	190	186	171	168	144	141	124	123	167	142	141	123	123	140	123	122	111
0.80		283	277	241	236	272	233	221	216	194	191	167	164	146	145	189	164	163	145	144	162	144	144	131
1.00		304	298	252	248	291	244	243	238	209	206	182	179	162	160	203	179	178	160	160	177	159	159	144
1.25		322	316	260	257	308	253	263	257	221	218	196	193	176	174	214	192	191	174	173	189	173	172	156
1.50		335	329	264	261	320	257	278	272	228	226	205	202	187	184	221	201	200	184	183	198	183	181	164
2.00		345	340	262	260	330	256	294	288	232	230	213	210	197	194	225	208	207	194	192	205	192	190	170
2.50		350	345	258	256	334	252	303	297	232	230	216	213	201	199	225	211	210	198	197	207	195	193	172
3.00		351	346	252	250	334	246	307	302	230	228	215	213	203	200	223	210	209	199	198	206	196	193	171
4.00		352	348	244	243	335	240	313	309	227	225	215	213	205	202	220	210	209	201	199	205	197	194	170
5.00		351	348	238	237	335	234	316	312	223	222	214	212	205	203	216	208	207	200	199	203	196	192	168
10.00		336	335	211	211	319	207	309	307	202	201	197	196	192	191	195	191	190	187	186	185	182	177	150
20.00		302	301	170	170	285	167	280	279	164	164	162	162	160	159	158	156	156	154	153	150	148	143	114
Working Pl.																								
K		8873	8773	8871	8771	7773	7771	7753	7553	7751	7551	7731	7331	7711	7111	5551	5531	5331	5511	5111	3331	3311	1111	0000
0.60		322	315	300	295	311	292	249	244	239	236	204	201	178	177	234	201	200	177	177	200	177	176	167
0.80		379	371	349	344	364	339	302	296	288	284	251	248	224	222	281	248	247	222	222	245	222	221	211
1.00		424	416	386	381	407	376	347	340	328	324	292	288	264	262	319	288	286	262	261	284	261	260	250
1.25		467	459	421	416	448	410	391	384	366	362	332	328	305	302	357	327	325	302	301	323	300	299	289
1.50		499	491	446	442	479	435	425	418	395	391	363	359	337	334	385	357	355	334	332	352	331	329	320
2.00		546	539	481	478	525	471	478	471	439	435	411	407	388	384	427	404	402	384	382	398	380	377	369
2.50		577	571	504	501	554	494	514	507	467	464	443	439	423	419	455	435	434	417	415	428	413	409	401
3.00		599	593	519	517	576	510	540	533	486	484	466	462	448	444	475	457	456	442	440	450	437	432	425
4.00		626	621	537	535	602	529	573	567	511	508	494	491	480	476	499	485	484	472	471	477	466	460	454
5.00		643	639	548	546	618	540	594	589	525	523	512	509	500	496	513	502	501	492	490	493	484	478	471
10.00		677	675	569	568	651	562	639	636	555	554	548	546	542	540	543	537	537	532	531	527	523	514	509
20.00		694	693	579	578	668	572	662	661	569	569	566	565	564	562	557	555	555	553	552	544	542	532	527

LM53 SHR C0-C180: 0.943 SHR C90-C270: 0.933 SHR Square: 1.133

Luminaire		Measur.		Lamp	
Code	00-4851-E4-19	Code	00-4851-E4-19	Code	STANDAR GOC 100W O
Name	Colgante VINTAGE 100W A55 E27	Name	Colgante VINTAGE 100W A55 E27	Number	1
Line	- LEDS-C4	Date	09-04-2015	Position	Universal
Efficiency	53.85%	Coordinate system	CG	Total Flux	1340.00 lm
Maximum value	326.78 cd	Position	C=0.00 G=0.00	Double Symmetrical	

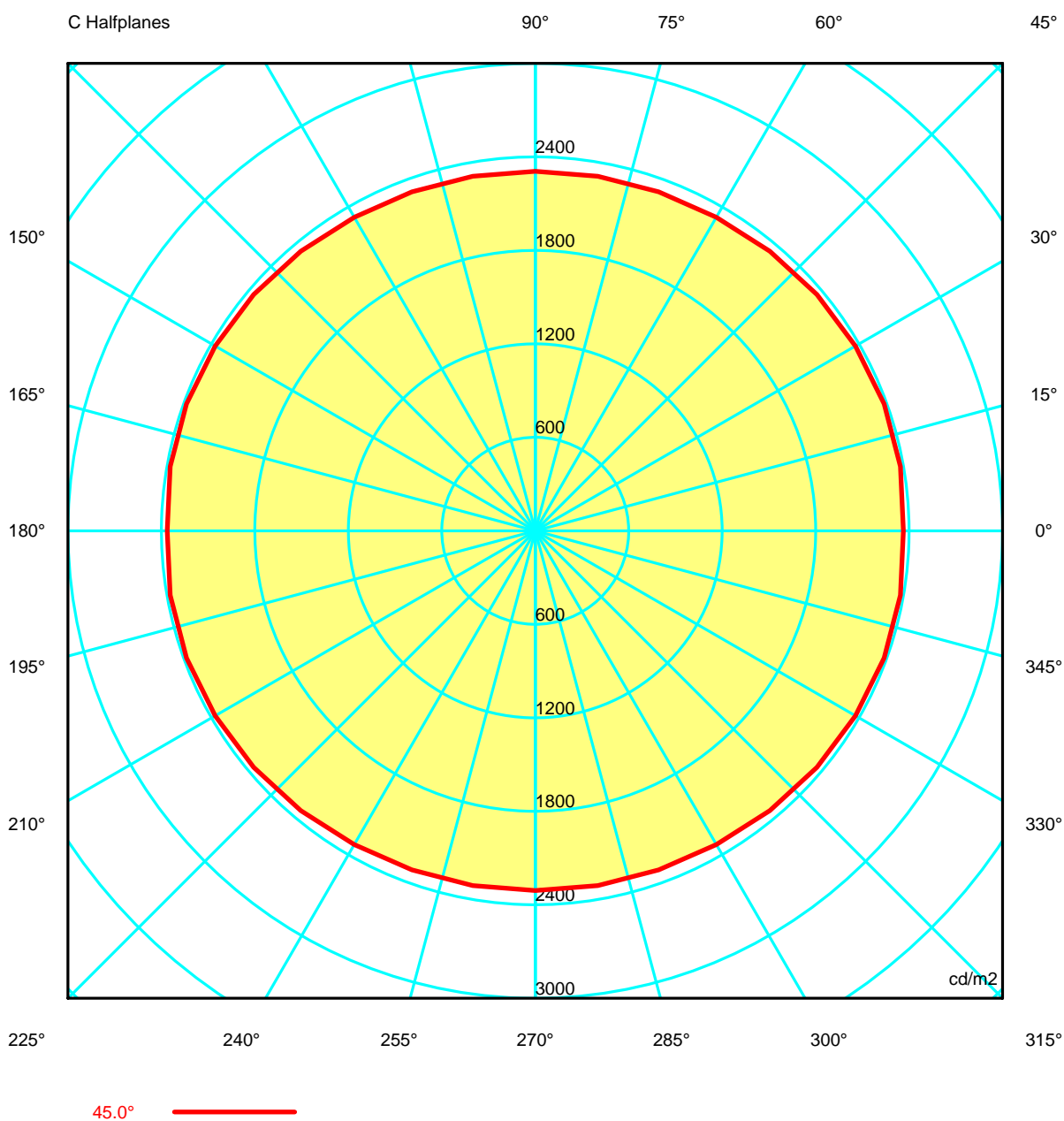
Average Luminance [cd/m²]										
	45°	50°	55°	60°	65°	70°	75°	80°	85°	
0.0°	2363	2433	2532	2655	2851	2934	1353	288	273	---
90.0°	2308	2349	2475	2603	2813	2999	1320	258	264	---

Flush mounted or longitudinal view												
		Illumination(lx)										
A	A	2000	1000	750	500		<300				1.15	
B	1		2000	1500	1000	750	500	<300			1.5	
C					2000		1000	500	<300		1.85	
D	2						2000	1000	500	<300	2.2	
E	3							2000	1000	500	<300	2.55



Luminaire		Measur.		Lamp	
Code	00-4851-E4-19	Code	00-4851-E4-19	Code	STANDAR GOC 100W O
Name	Colgante VINTAGE 100W A55 E27	Name	Colgante VINTAGE 100W A55 E27	Number	1
Line	- LEDS-C4	Date	09-04-2015	Position	Universal
Efficiency	53.85%	Coordinate system	CG	Total Flux	1340.00 lm
Maximum value	326.78 cd	Position	C=0.00 G=0.00	Double Symmetrical	

Luminance



Luminaire		Measuram.		Lamp									
Code	00-4851-E4-19	Code	00-4851-E4-19	Code	STANDAR GOC 100W O								
Name	Colgante VINTAGE 100W A55 E27	Name	Colgante VINTAGE 100W A55 E27	Number	1								
Line	- LEDS-C4	Date	09-04-2015	Position	Universal								
Efficiency	53.85%	Coordinate system	CG	Total Flux	1340.00 lm								
Maximum value	326.78 cd	Position	C=0.00 G=0.00	Double Symmetrical									
Luminance cd/m2 Table 1/3													
	C 0.00	C 10.00	C 20.00	C 30.00	C 40.00	C 50.00	C 60.00	C 70.00	C 80.00	C 90.00	C 100.00	C 110.00	C 120.00
G 0.0	3515.98	3515.98	3515.98	3515.98	3515.98	3515.98	3515.98	3515.98	3515.98	3515.98	3515.98	3515.98	3515.98
G 5.0	3407.25	3426.16	3430.82	3423.35	3418.08	3413.77	3410.87	3412.47	3409.42	3399.12	3409.42	3412.47	3410.87
G 10.0	3184.07	3204.61	3224.83	3231.51	3209.69	3187.35	3178.61	3176.28	3186.59	3208.65	3186.59	3176.28	3178.61
G 15.0	3001.57	3016.47	3027.26	3026.28	3008.66	2994.09	2990.62	2988.95	2981.63	2968.25	2981.63	2988.95	2990.62
G 20.0	2806.98	2823.26	2831.10	2828.22	2817.45	2798.53	2783.88	2790.49	2800.23	2802.96	2800.23	2790.49	2783.88
G 25.0	2651.65	2672.10	2681.22	2675.90	2661.64	2645.78	2635.15	2634.22	2634.03	2633.80	2634.03	2634.22	2635.15
G 30.0	2510.48	2530.95	2542.16	2538.97	2522.49	2502.60	2489.82	2489.18	2486.98	2479.10	2486.98	2489.18	2489.82
G 35.0	2407.01	2417.13	2421.40	2416.04	2400.37	2378.16	2360.77	2360.17	2358.12	2349.67	2358.12	2360.17	2360.77
G 40.0	2374.73	2374.97	2377.13	2375.65	2361.59	2341.97	2325.80	2316.80	2306.42	2291.20	2306.42	2316.80	2325.80
G 45.0	2363.37	2380.24	2383.19	2372.71	2360.07	2342.79	2324.59	2315.41	2311.35	2308.19	2311.35	2315.41	2324.59
G 50.0	2432.93	2443.32	2444.85	2436.10	2422.59	2408.04	2394.46	2381.88	2366.97	2349.11	2366.97	2381.88	2394.46
G 55.0	2532.40	2533.19	2537.58	2538.79	2517.85	2503.99	2498.10	2474.90	2463.80	2475.40	2463.80	2474.90	2498.10
G 60.0	2654.83	2681.21	2685.60	2672.09	2663.31	2653.56	2640.42	2629.70	2617.82	2603.13	2617.82	2629.70	2640.42
G 65.0	2850.85	2894.62	2909.39	2892.87	2870.12	2868.25	2875.24	2854.67	2829.19	2813.14	2829.19	2854.67	2875.24
G 70.0	2934.32	2909.81	2976.02	3044.47	2950.27	2918.67	2972.06	2917.79	2904.67	2998.79	2904.67	2917.79	2972.06
G 75.0	1353.07	1519.19	1747.86	1932.87	1876.73	1686.17	1579.75	1683.57	1634.30	1319.60	1634.30	1683.57	1579.75
G 80.0	287.82	253.40	265.90	307.82	311.62	266.84	234.62	285.72	308.00	257.82	308.00	285.72	234.62
G 85.0	272.83	275.51	283.41	287.94	275.20	263.97	262.29	261.49	261.99	264.32	261.99	261.49	262.29
G 90.0	0.00	0.00	0.00	0.00	0.00	0.00	0.00	0.00	0.00	0.00	0.00	0.00	0.00

Luminaire		Measur.		Lamp	
Code	00-4851-E4-19	Code	00-4851-E4-19	Code	STANDAR GOC 100W O
Name	Colgante VINTAGE 100W A55 E27	Name	Colgante VINTAGE 100W A55 E27	Number	1
Line	- LEDS-C4	Date	09-04-2015	Position	Universal

Efficiency	53.85%	Coordinate system	CG	Total Flux	1340.00 lm
Maximum value	326.78 cd	Position	C=0.00 G=0.00	Double Symmetrical	

Luminance cd/m2 Table 2/3

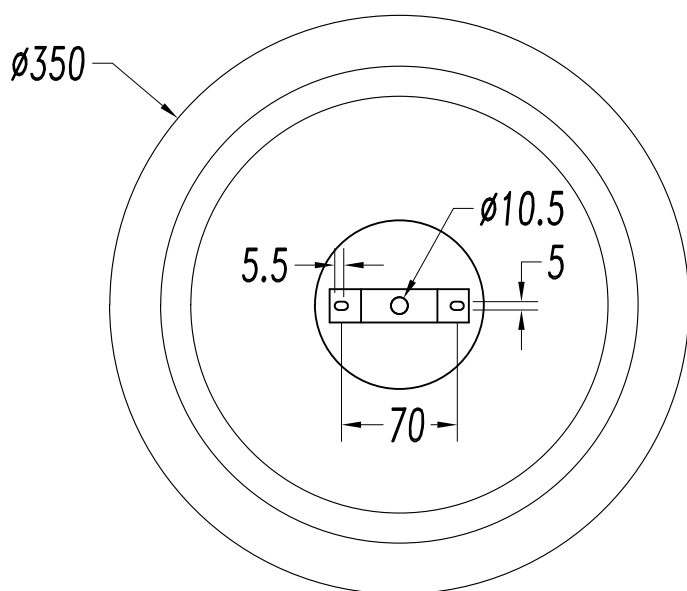
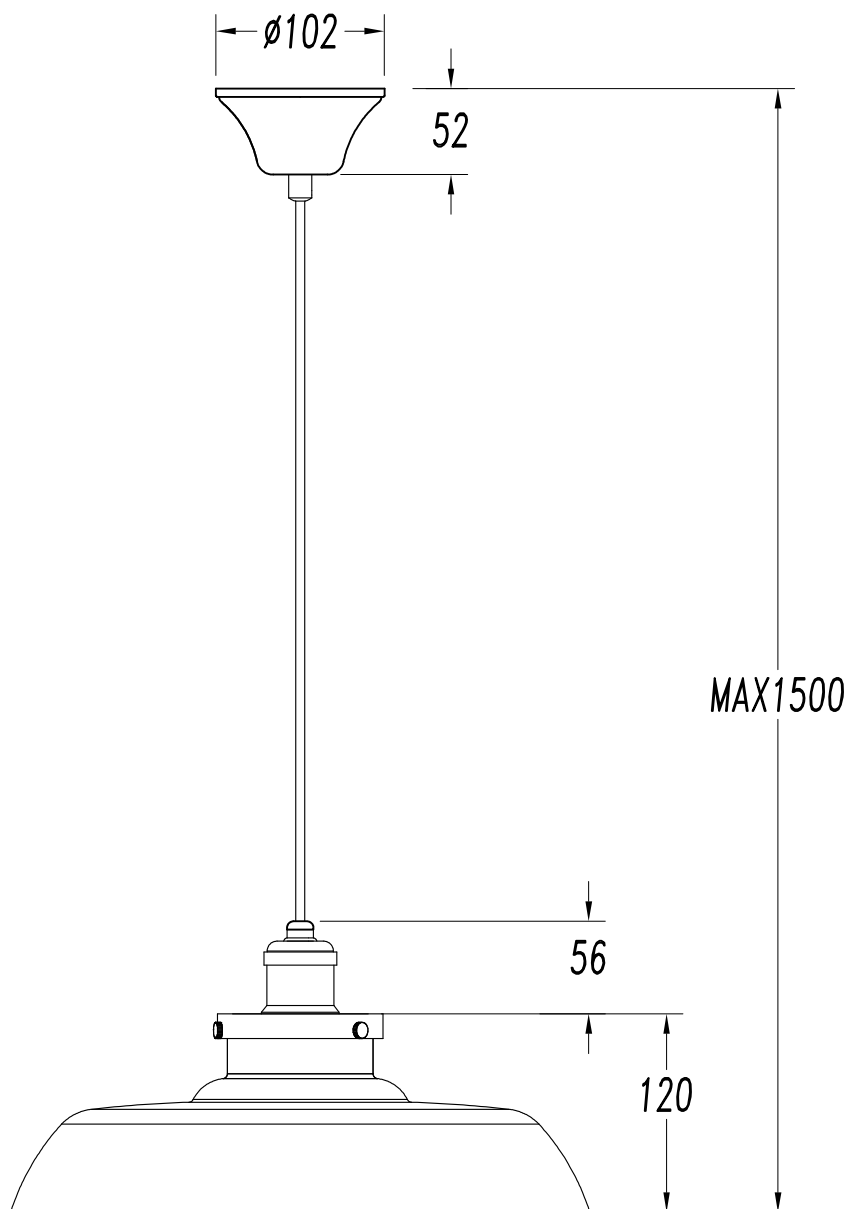
	C 130.00	C 140.00	C 150.00	C 160.00	C 170.00	C 180.00	C 190.00	C 200.00	C 210.00	C 220.00	C 230.00	C 240.00	C 250.00
G 0.0	3515.98	3515.98	3515.98	3515.98	3515.98	3515.98	3515.98	3515.98	3515.98	3515.98	3515.98	3515.98	3515.98
G 5.0	3413.77	3418.08	3423.35	3430.82	3426.16	3407.25	3426.16	3430.82	3423.35	3418.08	3413.77	3410.87	3412.47
G 10.0	3187.35	3209.69	3231.51	3224.83	3204.61	3184.07	3204.61	3224.83	3231.51	3209.69	3187.35	3178.61	3176.28
G 15.0	2994.09	3008.66	3026.28	3027.26	3016.47	3001.57	3016.47	3027.26	3026.28	3008.66	2994.09	2990.62	2988.95
G 20.0	2798.53	2817.45	2828.22	2831.10	2823.26	2806.98	2823.26	2831.10	2828.22	2817.45	2798.53	2783.88	2790.49
G 25.0	2645.78	2661.64	2675.90	2681.22	2672.10	2651.65	2672.10	2681.22	2675.90	2661.64	2645.78	2635.15	2634.22
G 30.0	2502.60	2522.49	2538.97	2542.16	2530.95	2510.48	2530.95	2542.16	2538.97	2522.49	2502.60	2489.82	2489.18
G 35.0	2378.16	2400.37	2416.04	2421.40	2417.13	2407.01	2417.13	2421.40	2416.04	2400.37	2378.16	2360.77	2360.17
G 40.0	2341.97	2361.59	2375.65	2377.13	2374.97	2374.73	2374.97	2377.13	2375.65	2361.59	2341.97	2325.80	2316.80
G 45.0	2342.79	2360.07	2372.71	2383.19	2380.24	2363.37	2380.24	2383.19	2372.71	2360.07	2342.79	2324.59	2315.41
G 50.0	2408.04	2422.59	2436.10	2444.85	2443.32	2432.93	2443.32	2444.85	2436.10	2422.59	2408.04	2394.46	2381.88
G 55.0	2503.99	2517.85	2538.79	2537.58	2533.19	2532.40	2533.19	2537.58	2538.79	2517.85	2503.99	2498.10	2474.90
G 60.0	2653.56	2663.31	2672.09	2685.60	2681.21	2654.83	2681.21	2685.60	2672.09	2663.31	2653.56	2640.42	2629.70
G 65.0	2868.25	2870.12	2892.87	2909.39	2894.62	2850.85	2894.62	2909.39	2892.87	2870.12	2868.25	2875.24	2854.67
G 70.0	2918.67	2950.27	3044.47	2976.02	2909.81	2934.32	2909.81	2976.02	3044.47	2950.27	2918.67	2972.06	2917.79
G 75.0	1686.17	1876.73	1932.87	1747.86	1519.19	1353.07	1519.19	1747.86	1932.87	1876.73	1686.17	1579.75	1683.57
G 80.0	266.84	311.62	307.82	265.90	253.40	287.82	253.40	265.90	307.82	311.62	266.84	234.62	285.72
G 85.0	263.97	275.20	287.94	283.41	275.51	272.83	275.51	283.41	287.94	275.20	263.97	262.29	261.49
G 90.0	0.00	0.00	0.00	0.00	0.00	0.00	0.00	0.00	0.00	0.00	0.00	0.00	0.00

Luminaire		Measur.		Lamp	
Code	00-4851-E4-19	Code	00-4851-E4-19	Code	STANDAR GOC 100W O
Name	Colgante VINTAGE 100W A55 E27	Name	Colgante VINTAGE 100W A55 E27	Number	1
Line	- LEDS-C4	Date	09-04-2015	Position	Universal

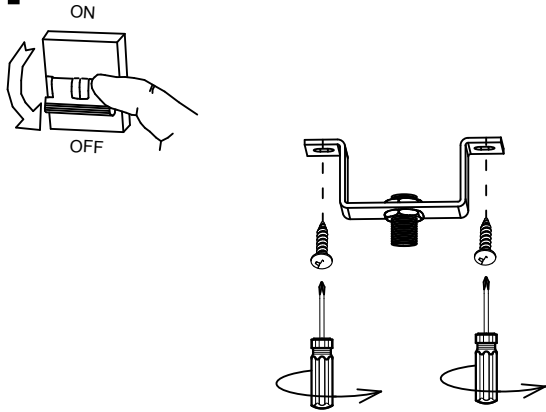
Efficiency	53.85%	Coordinate system	CG	Total Flux	1340.00 lm
Maximum value	326.78 cd	Position	C=0.00 G=0.00	Double Symmetrical	

Luminance cd/m2 Table 3/3

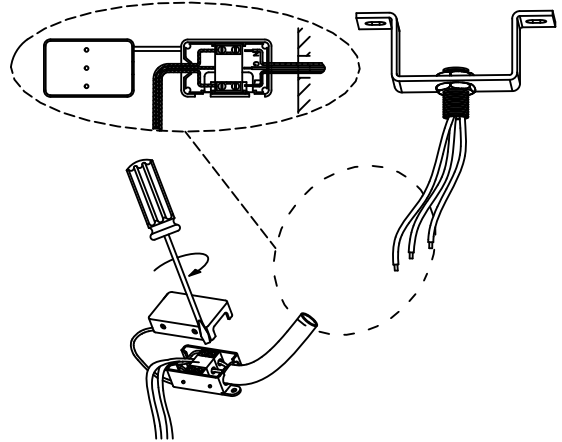
	C 260.00	C 270.00	C 280.00	C 290.00	C 300.00	C 310.00	C 320.00	C 330.00	C 340.00	C 350.00
G 0.0	3515.98	3515.98	3515.98	3515.98	3515.98	3515.98	3515.98	3515.98	3515.98	3515.98
G 5.0	3409.42	3399.12	3409.42	3412.47	3410.87	3413.77	3418.08	3423.35	3430.82	3426.16
G 10.0	3186.59	3208.65	3186.59	3176.28	3178.61	3187.35	3209.69	3231.51	3224.83	3204.61
G 15.0	2981.63	2968.25	2981.63	2988.95	2990.62	2994.09	3008.66	3026.28	3027.26	3016.47
G 20.0	2800.23	2802.96	2800.23	2790.49	2783.88	2798.53	2817.45	2828.22	2831.10	2823.26
G 25.0	2634.03	2633.80	2634.03	2634.22	2635.15	2645.78	2661.64	2675.90	2681.22	2672.10
G 30.0	2486.98	2479.10	2486.98	2489.18	2489.82	2502.60	2522.49	2538.97	2542.16	2530.95
G 35.0	2358.12	2349.67	2358.12	2360.17	2360.77	2378.16	2400.37	2416.04	2421.40	2417.13
G 40.0	2306.42	2291.20	2306.42	2316.80	2325.80	2341.97	2361.59	2375.65	2377.13	2374.97
G 45.0	2311.35	2308.19	2311.35	2315.41	2324.59	2342.79	2360.07	2372.71	2383.19	2380.24
G 50.0	2366.97	2349.11	2366.97	2381.88	2394.46	2408.04	2422.59	2436.10	2444.85	2443.32
G 55.0	2463.80	2475.40	2463.80	2474.90	2498.10	2503.99	2517.85	2538.79	2537.58	2533.19
G 60.0	2617.82	2603.13	2617.82	2629.70	2640.42	2653.56	2663.31	2672.09	2685.60	2681.21
G 65.0	2829.19	2813.14	2829.19	2854.67	2875.24	2868.25	2870.12	2892.87	2909.39	2894.62
G 70.0	2904.67	2998.79	2904.67	2917.79	2972.06	2918.67	2950.27	3044.47	2976.02	2909.81
G 75.0	1634.30	1319.60	1634.30	1683.57	1579.75	1686.17	1876.73	1932.87	1747.86	1519.19
G 80.0	308.00	257.82	308.00	285.72	234.62	266.84	311.62	307.82	265.90	253.40
G 85.0	261.99	264.32	261.99	261.49	262.29	263.97	275.20	287.94	283.41	275.51
G 90.0	0.00	0.00	0.00	0.00	0.00	0.00	0.00	0.00	0.00	0.00



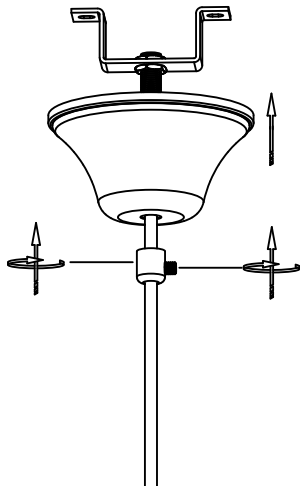
1



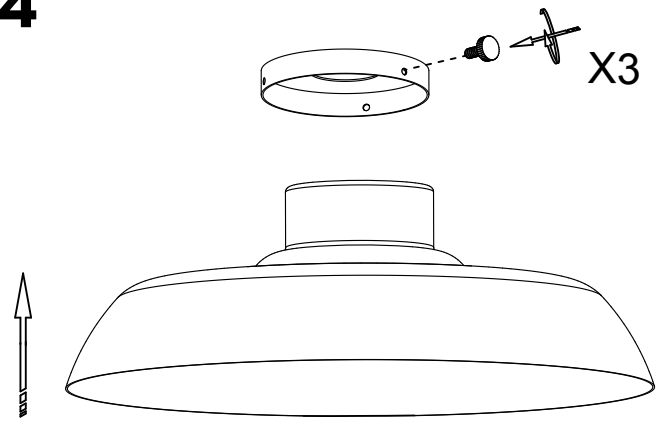
2



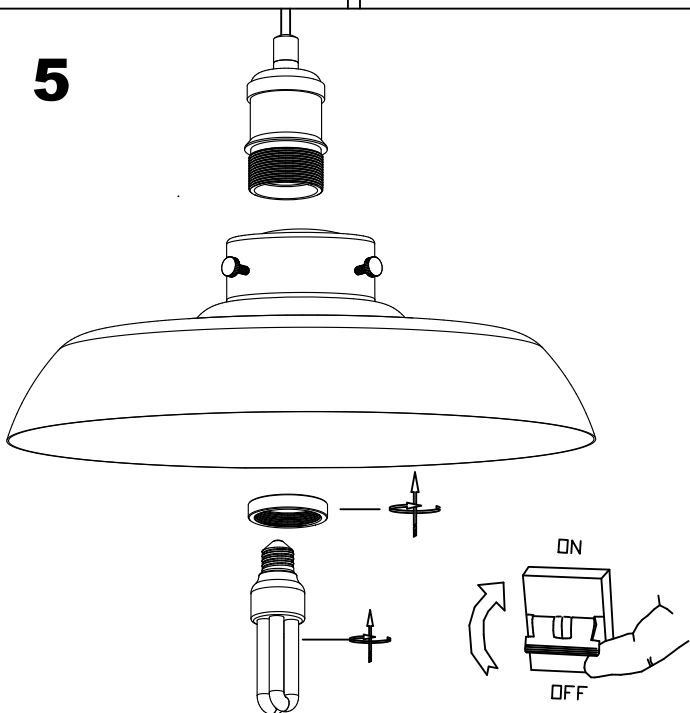
3



4



5



6

