

00-4850-E4-37

V0

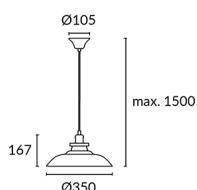
VINTAGE Pendant

Designer: Carlos Santolaria

**Description**

Pendant VINTAGE E27 100W Patina 1192lm

	Finish	Material
Structure	Patina	Steel
Diffuser	Transparent	Glass

 IP20
  FLOOD 73°
  4
**TECHNICAL CHARACTERISTICS****Light source**

Lampholder: 1 x E27
 Light source power (W): MAX 100W
 Luminaire total power (W): 100W
 Lamp maximum dimension: 130/75 mm
 Real Lumen: 1192
 Quantity: 1
 Lm/Real W: 12
 UGR: 11.2
 Recommended lamp: E27

GEAR

Voltage / Frequency:
 100-240VAC/50-60Hz

Luminaire

Warranty: 2 Years

Logistics

Energy Efficiency: NO BULB
 EAN Code: 8435381424633
 Net Weight (Kg): 1.95
 Weight in Kg (packaged): 3.03
 Packing: 420 x 175 x 420
 Masterbox: 4

The photograph may not match the reference exactly. Please read the product description to identify the finish.

OPTIONAL ACCESSORIES



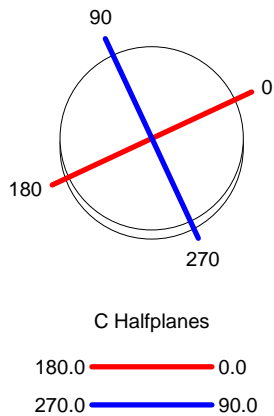
71-4850-14-14

Structure material: Aluminium
Dimensions: 85 x 146 x 51
Net Weight (Kg): 0.1

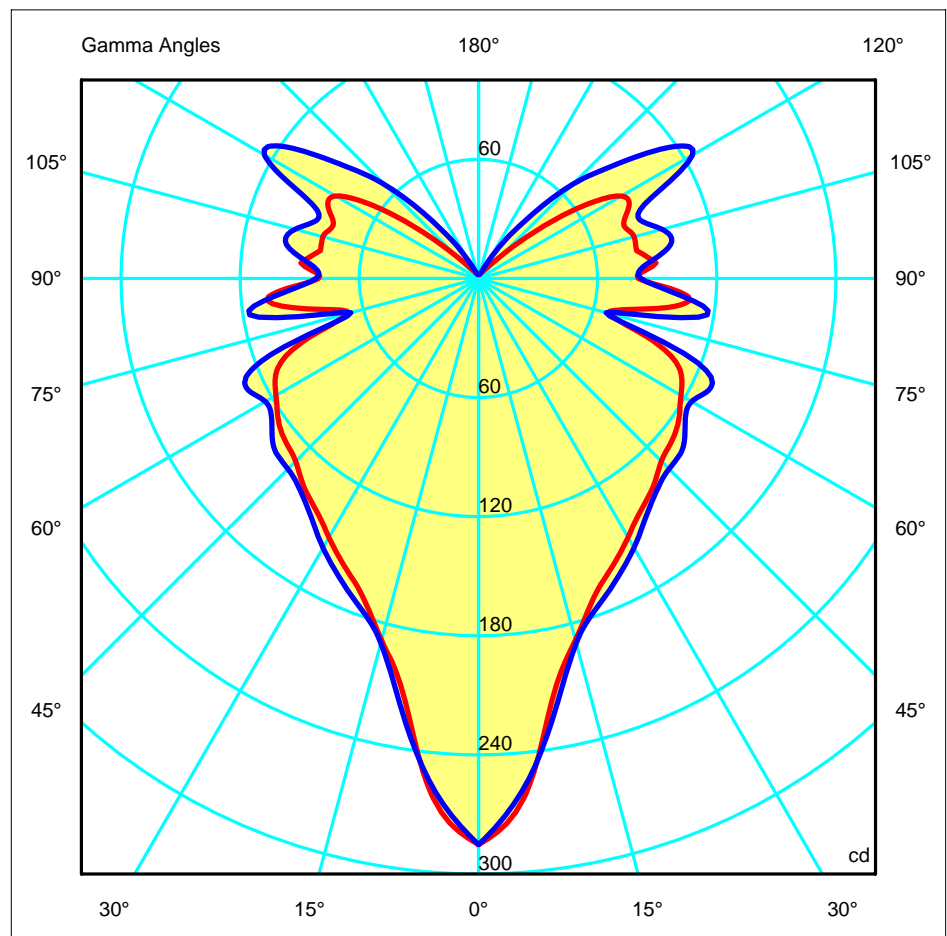
Luminaire		Measur.		Lamp	
Code	00-4850-E4-37	Code	00-4850-E4-37	Code	STANDAR GOC 100W O
Name	Colgante VINTAGE 100W A55 E27	Name	Colgante VINTAGE 100W A55 E27	Number	1
Line	- LEDS-C4	Date	09-04-2015	Position	Universal
Efficiency	88.95%	Coordinate system	CG	Total Flux	1340.00 lm
Maximum value	285.13 cd	Position	C=0.00 G=0.00	Double Symmetrical	
Round Luminaire	Diam.	350 mm	Height	167 mm	
Round Luminous Area	Diam.	350 mm	Height	100 mm	
Horizontal Luminous Area	0.096211 m2		Emitting area on Plane 180°	0.035000 m2	
Emitting area on Plane 0°	0.035000 m2		Emitting area on Plane 270°	0.035000 m2	
Emitting area on Plane 90°	0.035000 m2		Glare area at 76°	0.057236 m2	
Symmetry Type	Double Symmetrical		Maximum Gamma Angle	180	
Measurement Distance	6.44		Measurement Flux	1271.12 lm	
Operator	Asselum T2		Source voltage	230.00 V	
Temperature	20.00 °C		Source current	Prc	
Humidity	47.00 %		Photocell		
Notes					

Luminaire Lamps						
Line	Code	Name	Flux [lm]	Pow. [W]	Q.ty	
PHILIPS 2005 ILCOS IA,IB,IC	STANDAR GOC 100W O	STANDAR GOCCIA 100W E27 OPALE	1340.00	100.00	1	
C.I.E.	34 60 81 64 89	D DIN 5040	B21			
F UTE	0.57 H + 0.32 T	B NBN	BZ 6 / 4 / BZ 7			

Diam=350mm



ULOR 31.78 %
DLOR 57.17 %
RN 35.73 %



Luminaire		Measur.		Lamp	
Code	00-4850-E4-37	Code	00-4850-E4-37	Code	STANDAR GOC 100W O
Name	Colgante VINTAGE 100W A55 E27	Name	Colgante VINTAGE 100W A55 E27	Number	1
Line	- LEDS-C4	Date	09-04-2015	Position	Universal

Efficiency	88.95%	Coordinate system	CG	Total Flux	1340.00 lm
Maximum value	285.13 cd	Position	C=0.00 G=0.00	Double Symmetrical	

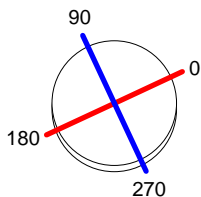
Luminous Intensity Table cd Table 1/1

	C 0.00	C 15.00	C 30.00	C 45.00	C 60.00	C 75.00	C 90.00
G 0.0	285.13	285.13	285.13	285.13	285.13	285.13	285.13
G 5.0	262.57	259.82	265.31	266.76	260.93	266.70	258.30
G 10.0	214.79	213.43	223.40	221.20	216.88	223.83	221.43
G 15.0	188.65	187.03	191.53	190.83	188.16	194.52	190.00
G 20.0	170.46	170.35	171.93	172.51	170.17	175.91	175.78
G 25.0	159.88	160.61	162.62	163.33	161.73	166.10	166.00
G 30.0	150.57	150.05	152.75	153.80	153.90	156.16	156.63
G 35.0	142.54	141.67	144.70	144.11	144.10	146.40	146.86
G 40.0	136.94	135.46	137.49	137.52	137.24	140.42	139.58
G 45.0	130.20	129.28	131.70	131.38	131.99	135.52	135.63
G 50.0	127.16	126.18	127.65	128.64	129.95	133.40	134.05
G 55.0	123.24	120.02	122.46	123.94	124.05	129.54	127.08
G 60.0	117.73	115.77	116.92	118.49	119.62	124.26	123.97
G 65.0	112.45	114.84	115.21	116.84	126.50	127.36	129.29
G 70.0	95.31	95.40	103.56	94.24	101.28	97.06	109.89
G 75.0	67.91	56.94	66.07	68.77	64.52	79.67	66.56
G 80.0	87.84	98.00	87.90	97.04	106.62	103.52	112.42
G 85.0	106.20	103.40	111.81	97.53	101.79	104.26	103.31
G 90.0	80.52	73.85	81.92	87.67	83.18	84.87	81.88
G 95.0	89.79	84.45	78.86	82.22	80.03	85.67	85.34
G100.0	80.83	88.85	88.37	88.91	95.56	93.92	98.20
G105.0	81.20	77.57	83.74	85.10	88.63	92.02	95.71
G110.0	77.95	75.31	79.87	83.23	83.06	88.02	86.45
G115.0	83.29	84.34	87.73	92.70	92.50	98.09	95.86
G120.0	83.06	96.87	97.83	109.16	111.64	124.67	124.50
G125.0	62.97	92.89	99.43	104.44	112.94	105.15	114.30
G130.0	35.78	60.95	85.67	84.79	84.73	88.16	88.46
G135.0	16.57	39.42	65.89	67.06	68.25	68.38	67.26
G140.0	8.30	20.75	42.65	43.71	42.21	43.37	42.17
G145.0	5.49	11.39	23.84	24.89	24.70	25.00	24.48
G150.0	3.89	6.01	12.57	14.42	14.19	10.57	10.89
G155.0	3.04	3.82	7.27	8.18	7.55	5.41	4.43
G160.0	2.67	2.97	4.26	4.41	4.37	3.33	2.89
G165.0	2.47	2.47	2.54	2.69	2.43	2.49	2.43
G170.0	2.31	2.27	2.28	2.28	2.23	2.25	2.25
G175.0	2.13	2.13	2.12	2.13	2.05	2.06	2.00
G180.0	2.11	2.11	2.11	2.11	2.11	2.11	2.11

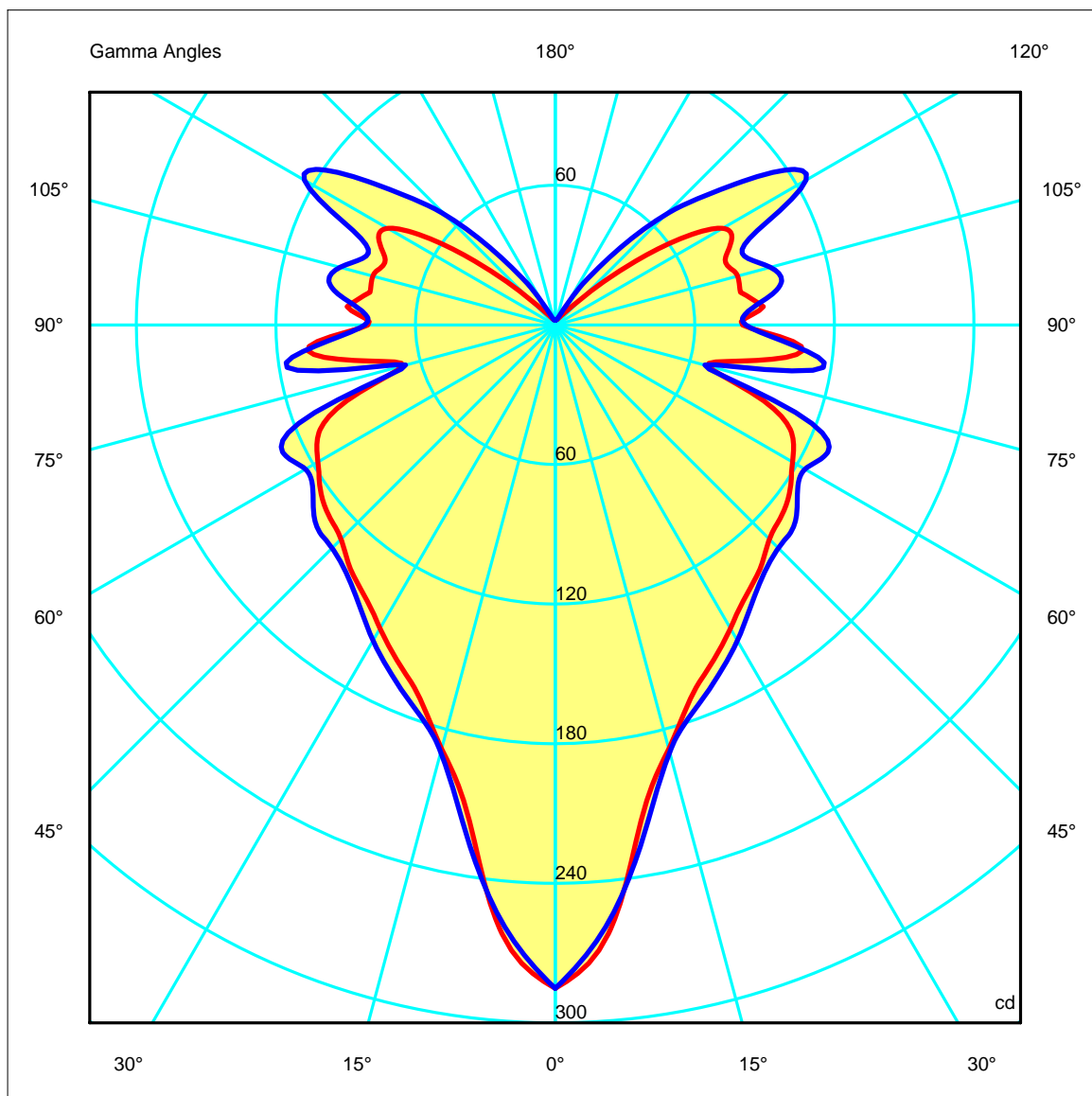
Luminaire		Measur.		Lamp	
Code	00-4850-E4-37	Code	00-4850-E4-37	Code	STANDAR GOC 100W O
Name	Colgante VINTAGE 100W A55 E27	Name	Colgante VINTAGE 100W A55 E27	Number	1
Line	- LEDS-C4	Date	09-04-2015	Position	Universal
Efficiency	88.95%	Coordinate system	CG	Total Flux	1340.00 lm
Maximum value	285.13 cd	Position	C=0.00 G=0.00	Double Symmetrical	

Diam=350mm

C Halfplanes

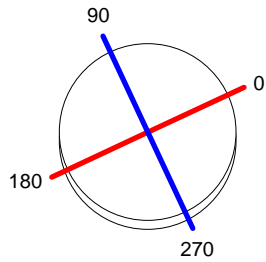


180.0 ——— 0.0
270.0 ——— 90.0

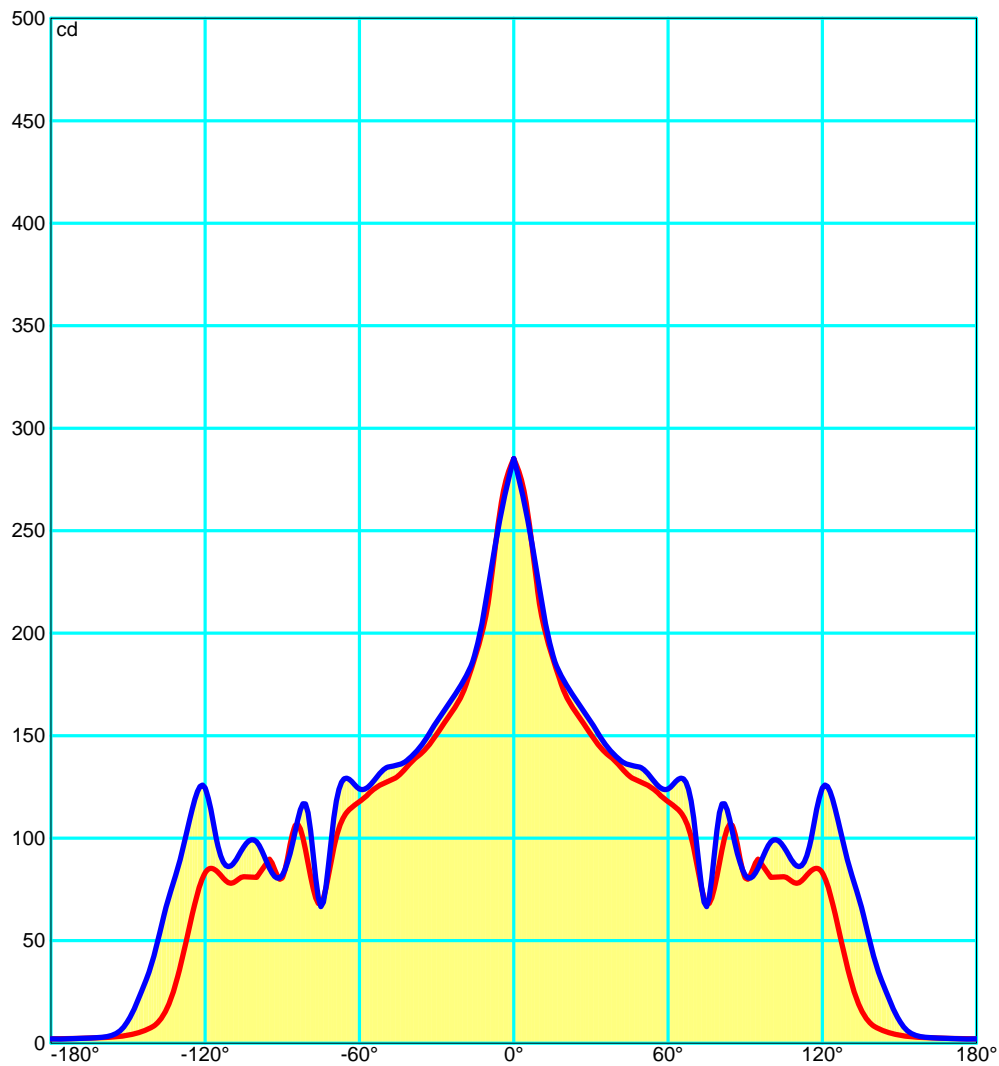
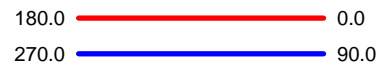


Luminaire		Measur.		Lamp	
Code	00-4850-E4-37	Code	00-4850-E4-37	Code	STANDAR GOC 100W O
Name	Colgante VINTAGE 100W A55 E27	Name	Colgante VINTAGE 100W A55 E27	Number	1
Line	- LEDS-C4	Date	09-04-2015	Position	Universal
Efficiency	88.95%	Coordinate system	CG	Total Flux	1340.00 lm
Maximum value	285.13 cd	Position	C=0.00 G=0.00	Double Symmetrical	

Diam=350mm



C Halfplanes



Luminaire		Measur.		Lamp	
Code	00-4850-E4-37	Code	00-4850-E4-37	Code	STANDAR GOC 100W O
Name	Colgante VINTAGE 100W A55 E27	Name	Colgante VINTAGE 100W A55 E27	Number	1
Line	- LEDS-C4	Date	09-04-2015	Position	Universal
Efficiency	88.95%	Coordinate system	CG	Total Flux	1340.00 lm
Maximum value	285.13 cd	Position	C=0.00 G=0.00	Double Symmetrical	

UGR
S = 0.250

Reflectancies										
Ceiling/Cavity	0.7	0.7	0.5	0.5	0.3	0.7	0.7	0.5	0.5	0.3
Walls	0.5	0.3	0.5	0.3	0.3	0.5	0.3	0.5	0.3	0.3
WorkingPlane	0.2	0.2	0.2	0.2	0.2	0.2	0.2	0.2	0.2	0.2
RoomDimensions	ViewedCrosswise					ViewedEndwise				
x=2H y=2H	11.2	12.3	12.0	13.1	14.4	11.6	12.7	12.4	13.4	14.4
x=2H y=3H	13.5	14.4	14.3	15.2	16.6	14.0	14.9	14.7	15.7	16.6
x=2H y=4H	14.0	14.9	14.8	15.7	17.3	14.7	15.6	15.5	16.4	17.3
x=2H y=6H	15.3	16.1	16.1	16.9	18.7	16.1	16.9	16.9	17.7	18.7
x=2H y=8H	16.3	17.1	17.1	17.9	19.7	17.1	17.9	17.9	18.7	19.7
x=2H y=12H	17.3	18.1	18.1	18.9	20.6	17.9	18.7	18.8	19.5	20.6
x=4H y=2H	12.2	13.1	13.0	13.9	15.2	12.5	13.4	13.3	14.2	15.2
x=4H y=3H	14.5	15.3	15.3	16.1	17.4	14.8	15.6	15.6	16.4	17.4
x=4H y=4H	15.1	15.8	16.0	16.7	18.2	15.7	16.3	16.5	17.2	18.2
x=4H y=6H	16.6	17.3	17.5	18.1	19.9	17.3	18.0	18.2	18.8	19.9
x=4H y=8H	17.8	18.4	18.7	19.3	21.0	18.4	19.0	19.3	19.9	21.0
x=4H y=12H	18.9	19.5	19.8	20.4	21.9	19.4	20.0	20.3	20.8	21.9
x=8H y=4H	15.6	16.2	16.5	17.1	18.6	16.0	16.6	16.9	17.5	18.6
x=8H y=6H	17.5	18.0	18.4	18.9	20.7	18.2	18.7	19.1	19.6	20.7
x=8H y=8H	18.9	19.3	19.8	20.3	22.0	19.5	19.9	20.4	20.8	22.0
x=8H y=12H	20.3	20.6	21.2	21.6	23.1	20.7	21.0	21.6	22.0	23.1
x=12H y=4H	15.8	16.4	16.7	17.2	18.7	16.2	16.7	17.1	17.6	18.7
x=12H y=6H	17.8	18.3	18.8	19.2	20.9	18.4	18.9	19.3	19.8	20.9
x=12H y=8H	19.4	19.7	20.3	20.7	22.3	19.8	20.2	20.8	21.1	22.3

Luminaire		Measur.		Lamp	
Code	00-4850-E4-37	Code	00-4850-E4-37	Code	STANDAR GOC 100W O
Name	Colgante VINTAGE 100W A55 E27	Name	Colgante VINTAGE 100W A55 E27	Number	1
Line	- LEDS-C4	Date	09-04-2015	Position	Universal
Efficiency	88.95%	Coordinate system	CG	Total Flux	1340.00 lm
Maximum value	285.13 cd	Position	C=0.00 G=0.00	Double Symmetrical	

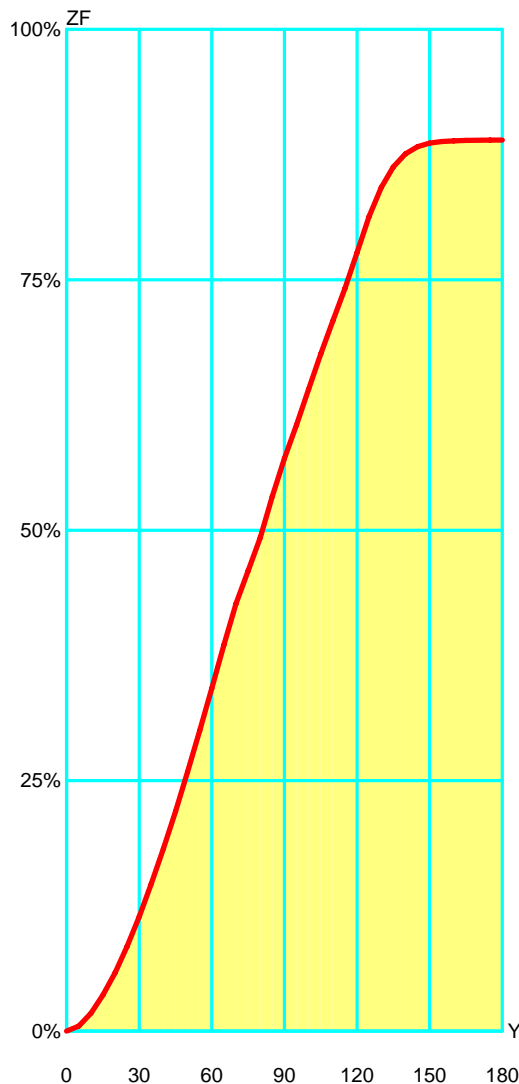
Total Flux=1340.00 Luminaire Flux=1191.89

RI	0.60	0.80	1.00	1.25	1.50	2.00	2.50	3.00	4.00	5.00	10.00	20.00
DRR	0.22	0.28	0.34	0.40	0.45	0.53	0.59	0.64	0.69	0.74	0.83	0.90
RC	7	7	8	8	8	8	8	8	8	8	8	8

Zonal Flux per 1000 Lumen																		
Y°	10	20	30	40	50	60	70	80	90	100	110	120	130	140	150	160	170	180
ZF(Y)	18	58	114	182	259	342	427	493	572	641	709	777	842	876	886	889	889	889

CIE Flux Codes
34 60 81 64 89

C.I.E.	7/7/8/8/8/8/8/8/8/8	LOR	88.94683 %
D DIN 5040	B21	ULOR	31.78095 %
F UTE	0.57 H + 0.32 T	DLOR	57.16588 %
B NBN	BZ 6 / 4 / BZ 7	UFF	35.73028 %
RN	35.73028 %	DFF	64.26972 %
BLF	1.0	FFR	55.59427 %



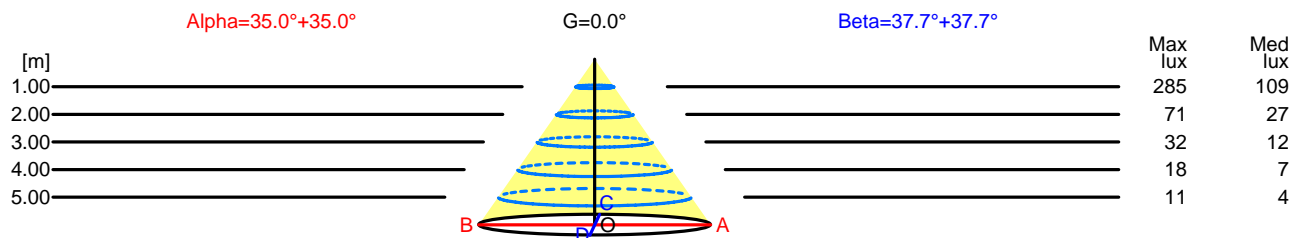
Gamma °	Zonal Flux			
	Flux	Sum lm	Flux [%]	Sum [%]
0°	0.00	0.00	0.00%	0.00%
5°	4.89	4.89	0.55%	0.55%
10°	12.89	17.78	1.45%	2.00%
15°	18.14	35.92	2.04%	4.04%
20°	22.30	58.22	2.51%	6.55%
25°	26.24	84.46	2.95%	9.50%
30°	29.87	114.32	3.36%	12.85%
35°	32.71	147.03	3.68%	16.53%
40°	35.11	182.15	3.95%	20.48%
45°	37.29	219.44	4.19%	24.67%
50°	39.44	258.88	4.43%	29.10%
55°	41.15	300.03	4.63%	33.73%
60°	42.01	342.03	4.72%	38.45%
65°	43.47	385.50	4.89%	43.34%
70°	41.44	426.94	4.66%	48.00%
75°	32.42	459.36	3.65%	51.64%
80°	33.16	492.52	3.73%	55.37%
85°	41.12	533.64	4.62%	60.00%
90°	38.01	571.66	4.27%	64.27%
95°	33.77	605.42	3.80%	68.07%
100°	35.28	640.71	3.97%	72.03%
105°	35.30	676.00	3.97%	76.00%
110°	32.75	708.75	3.68%	79.68%
115°	32.65	741.40	3.67%	83.35%
120°	35.95	777.34	4.04%	87.39%
125°	35.86	813.21	4.03%	91.43%
130°	28.93	842.14	3.25%	94.68%
135°	20.54	862.68	2.31%	96.99%
140°	13.10	875.78	1.47%	98.46%
145°	7.11	882.89	0.80%	99.26%
150°	3.48	886.37	0.39%	99.65%
155°	1.59	887.96	0.18%	99.83%
160°	0.76	888.72	0.09%	99.92%
165°	0.38	889.10	0.04%	99.96%
170°	0.21	889.31	0.02%	99.98%
175°	0.12	889.43	0.01%	100.00%
180°	0.04	889.47	0.00%	100.00%


Luminaire		Measur.		Lamp	
Code	00-4850-E4-37	Code	00-4850-E4-37	Code	STANDAR GOC 100W O
Name	Colgante VINTAGE 100W A55 E27	Name	Colgante VINTAGE 100W A55 E27	Number	1
Line	- LEDS-C4	Date	09-04-2015	Position	Universal
Efficiency	88.95%	Coordinate system	CG	Total Flux	1340.00 lm
Maximum value	285.13 cd	Position	C=0.00 G=0.00	Double Symmetrical	

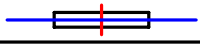
Width at 50.00 % of Max Intensity

H[m]	1.00	2.00	3.00	4.00	5.00	H[m]	1.00	2.00	3.00	4.00	5.00
OA	0.70	1.40	2.10	2.80	3.50	OC	0.77	1.55	2.32	3.09	3.86
OB	0.70	1.40	2.10	2.80	3.50	OD	0.77	1.55	2.32	3.09	3.86

	Luminous Intensities [cd]									
	0	5	15	25	35	45	55	65	75	85
OA	285.13	262.57	188.65	159.88	142.54	130.20	123.24	112.45	67.91	106.20
OB	285.13	262.57	188.65	159.88	142.54	130.20	123.24	112.45	67.91	106.20
OC	285.13	258.30	190.00	166.00	146.86	135.63	127.08	129.29	66.56	103.31
OD	285.13	258.30	190.00	166.00	146.86	135.63	127.08	129.29	66.56	103.31



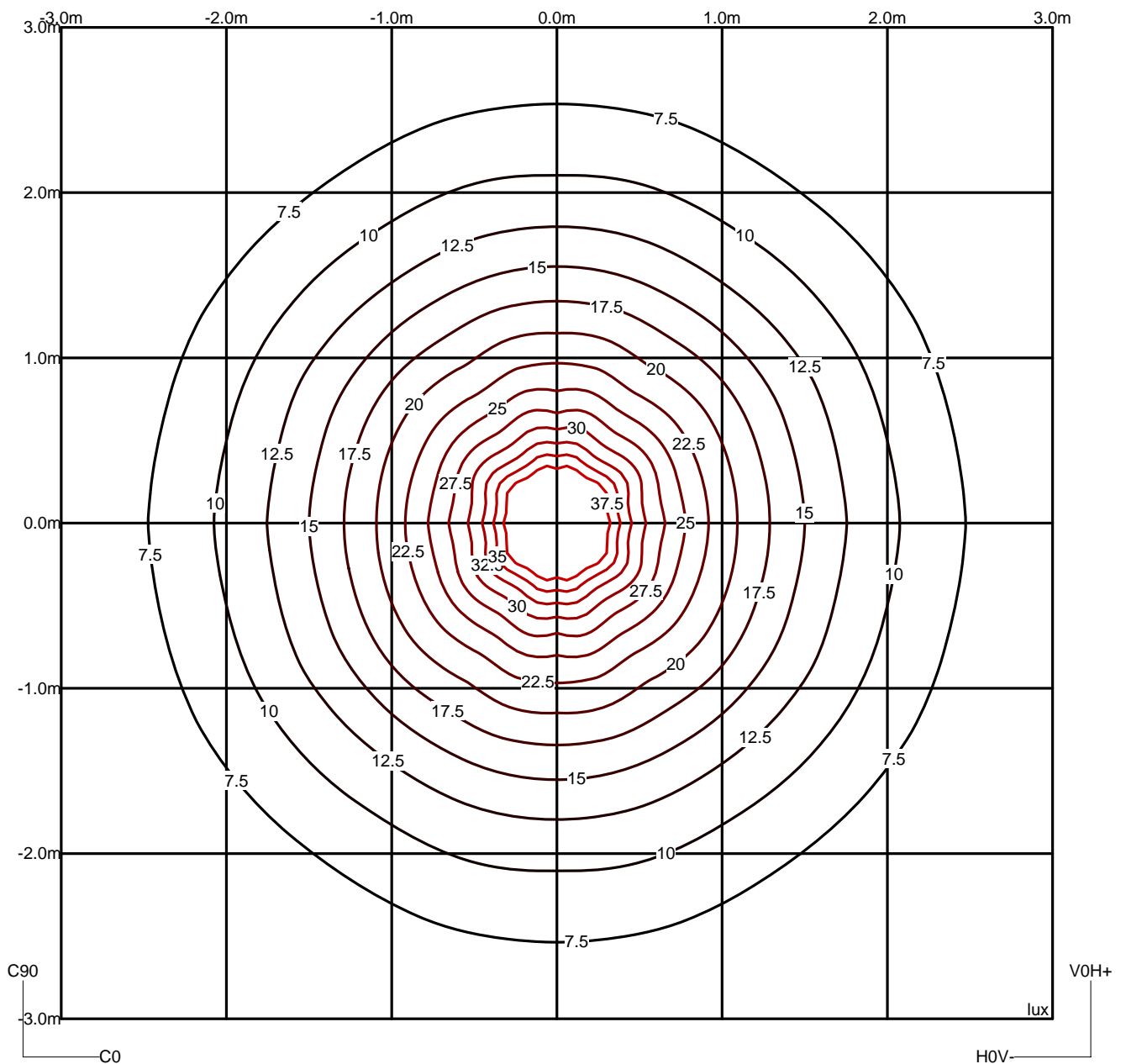
H[m]	D[m]	Max lux	Med lux	Alpha=35.0°+35.0°	G=0.0	
1.00	1.40	285	109			
2.00	2.80	71	27			
3.00	4.20	32	12			
4.00	5.60	18	7			
5.00	7.00	11	4			

H[m]	D[m]	Max lux	Med lux	Beta=37.7°+37.7°	G=0.0	
1.00	1.55	285	109			
2.00	3.09	71	27			
3.00	4.64	32	12			
4.00	6.18	18	7			
5.00	7.73	11	4			

Luminaire		Measur.		Lamp	
Code	00-4850-E4-37	Code	00-4850-E4-37	Code	STANDAR GOC 100W O
Name	Colgante VINTAGE 100W A55 E27	Name	Colgante VINTAGE 100W A55 E27	Number	1
Line	- LEDS-C4	Date	09-04-2015	Position	Universal
Efficiency	88.95%	Coordinate system	CG	Total Flux	1340.00 lm
Maximum value	285.13 cd	Position	C=0.00 G=0.00	Double Symmetrical	

Isolux (Floor)

Luminaire position X=0.00m Y=0.00m Z=2.50m



Luminaire		Measur.		Lamp	
Code	00-4850-E4-37	Code	00-4850-E4-37	Code	STANDAR GOC 100W O
Name	Colgante VINTAGE 100W A55 E27	Name	Colgante VINTAGE 100W A55 E27	Number	1
Line	- LEDS-C4	Date	09-04-2015	Position	Universal
Efficiency	88.95%	Coordinate system	CG	Total Flux	1340.00 lm
Maximum value	285.13 cd	Position	C=0.00 G=0.00	Double Symmetrical	

Utilizations CIE

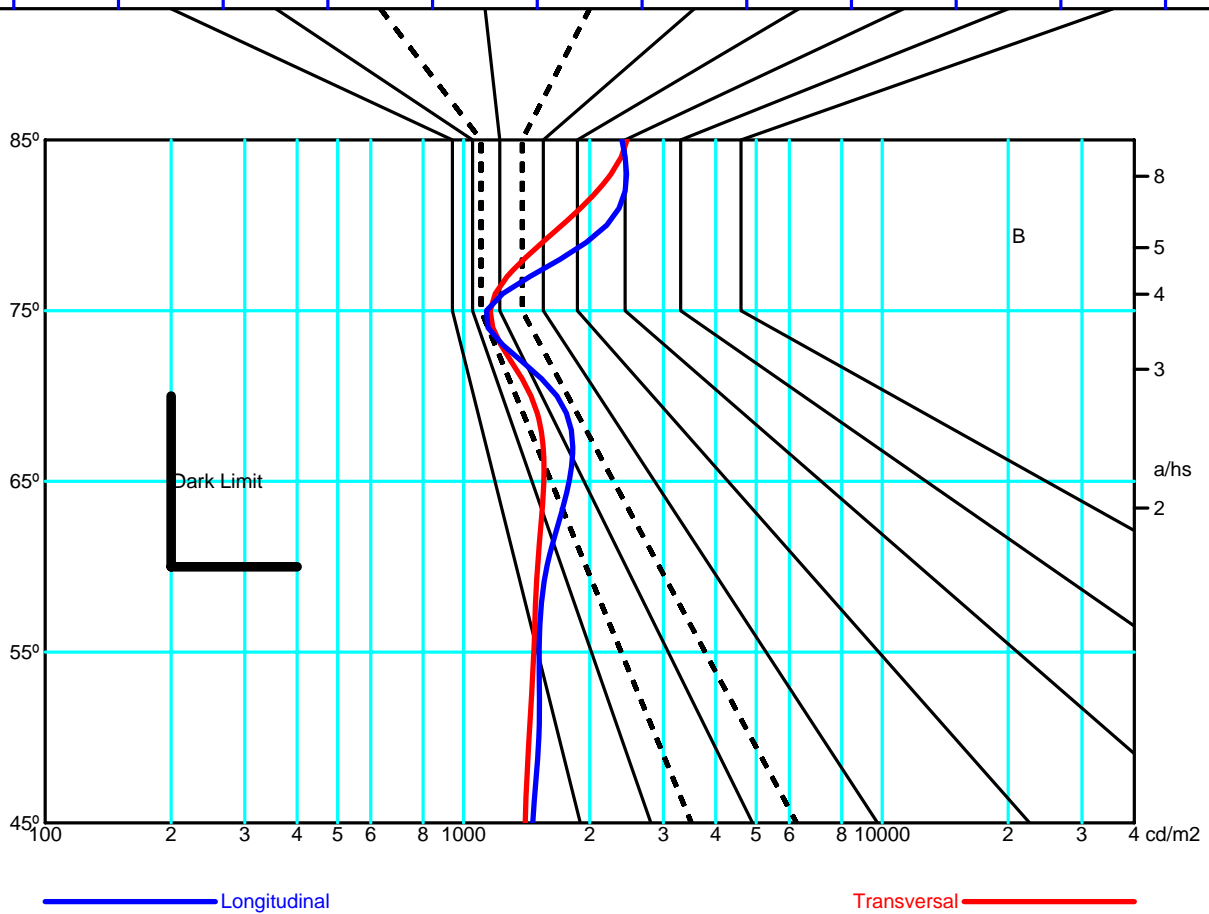
Mounting	Direct	Normalization										Suspension Ratio			Standard CIE Settings									
		Normalised										1/3												
Ceiling																								
K	8873	8773	8871	8771	7773	7771	7753	7553	7751	7551	7731	7331	7711	7111	5551	5531	5331	5511	5111	3331	3311	1111	0000	
0.60	412	370	380	343	352	328	295	250	280	239	247	187	224	153	223	200	176	182	145	167	154	133	119	
0.80	460	422	411	379	401	363	337	295	312	274	275	219	248	181	256	229	207	208	173	196	180	158	141	
1.00	493	458	428	401	436	384	369	329	333	299	295	243	265	204	280	251	230	228	194	219	200	178	159	
1.25	521	491	440	417	467	400	400	363	351	321	313	266	282	226	302	272	253	248	216	241	221	199	177	
1.50	542	514	445	426	490	410	424	390	363	336	325	283	295	243	317	287	270	263	233	257	237	216	191	
2.00	568	546	449	434	520	419	459	430	378	356	343	308	313	270	338	309	294	285	259	282	261	241	212	
2.50	584	565	449	437	540	423	483	458	386	368	354	324	326	288	350	324	311	301	278	298	279	260	227	
3.00	595	579	447	437	553	425	501	478	391	376	362	336	336	302	359	334	323	312	292	311	292	274	238	
4.00	609	597	444	437	571	426	526	507	398	386	372	352	349	322	370	348	339	329	312	327	310	294	254	
5.00	618	607	441	435	582	426	542	526	401	392	379	362	358	335	377	357	350	339	325	338	322	307	265	
10.00	634	628	431	428	603	421	578	569	406	401	392	382	378	365	389	376	372	364	356	362	351	339	289	
20.00	640	638	422	421	613	415	598	593	406	404	398	393	390	383	393	386	384	378	374	374	367	357	303	
Wall																								
K	8873	8773	8871	8771	7773	7771	7753	7553	7751	7551	7731	7331	7711	7111	5551	5531	5331	5511	5111	3331	3311	1111	0000	
0.60	384	361	344	325	349	315	275	255	254	237	213	190	183	159	227	193	184	168	155	179	157	149	134	
0.80	448	425	393	375	408	361	332	310	301	283	259	233	226	198	269	234	224	207	192	216	192	181	164	
1.00	497	475	427	411	454	395	378	355	338	319	295	268	261	232	301	266	256	239	223	245	221	208	188	
1.25	544	523	460	445	498	427	425	402	373	355	331	305	298	268	334	300	290	272	256	276	252	236	213	
1.50	581	562	485	471	533	452	463	440	402	385	361	336	328	299	360	328	318	300	280	285	301	278	260	234
2.00	634	617	519	508	584	487	520	499	442	428	405	382	374	346	399	369	360	343	328	339	317	295	266	
2.50	672	658	544	535	621	513	563	544	473	460	439	418	409	383	428	400	392	376	362	368	348	323	292	
3.00	702	689	563	555	650	533	597	579	497	486	466	447	438	414	452	426	418	403	390	392	373	346	313	
4.00	750	739	597	591	697	567	651	636	537	528	510	494	485	464	491	468	462	448	436	432	415	386	349	
5.00	786	777	624	619	733	595	692	679	569	561	544	530	522	503	522	502	496	483	473	464	449	417	379	
10.00	893	888	709	706	840	682	813	805	665	661	649	641	633	622	618	605	601	592	585	564	553	516	473	
20.00	989	987	793	791	936	767	920	915	757	754	746	742	736	730	710	701	699	692	688	658	651	612	566	
Working Pl.																								
K	8873	8773	8871	8771	7773	7771	7753	7553	7751	7551	7731	7331	7711	7111	5551	5531	5331	5511	5111	3331	3311	1111	0000	
0.60	408	384	381	360	369	347	279	259	269	250	216	192	178	154	237	193	184	160	148	177	148	139	124	
0.80	495	468	455	434	446	415	352	327	336	314	279	250	236	205	294	247	237	211	196	225	193	179	162	
1.00	563	536	513	492	508	469	414	387	391	368	333	301	288	253	342	295	283	257	239	266	234	215	196	
1.25	629	603	567	547	569	521	476	448	446	423	389	354	343	304	390	343	330	305	285	308	276	253	231	
1.50	681	656	608	589	616	560	527	498	489	466	433	398	387	347	428	382	369	345	324	342	311	283	259	
2.00	756	733	666	650	686	616	604	577	554	533	502	469	458	418	485	444	431	408	387	396	366	331	305	
2.50	807	787	704	690	734	654	659	633	598	579	550	519	508	470	525	487	475	454	433	434	407	366	338	
3.00	843	826	731	719	769	681	700	676	630	613	586	558	547	511	555	520	508	488	469	463	437	392	363	
4.00	892	878	766	756	815	716	756	736	673	659	635	611	600	569	595	564	554	536	519	502	479	428	397	
5.00	924	912	788	780	846	739	794	776	702	690	668	647	636	608	621	594	585	569	553	528	508	453	420	
10.00	995	988	836	832	914	789	882	871	766	759	744	731	723	706	682	664	659	648	638	591	578	513	477	
20.00	1000	1000	863	861	955	817	936	930	804	801	791	784	778	769	719	709	706	698	693	631	623	552	515	

LM53 SHR C0-C180: 0.718 SHR C90-C270: 0.748 SHR Square: 1.075

Luminaire		Measur.		Lamp	
Code	00-4850-E4-37	Code	00-4850-E4-37	Code	STANDAR GOC 100W O
Name	Colgante VINTAGE 100W A55 E27	Name	Colgante VINTAGE 100W A55 E27	Number	1
Line	- LEDS-C4	Date	09-04-2015	Position	Universal
Efficiency	88.95%	Coordinate system	CG	Total Flux	1340.00 lm
Maximum value	285.13 cd	Position	C=0.00 G=0.00	Double Symmetrical	

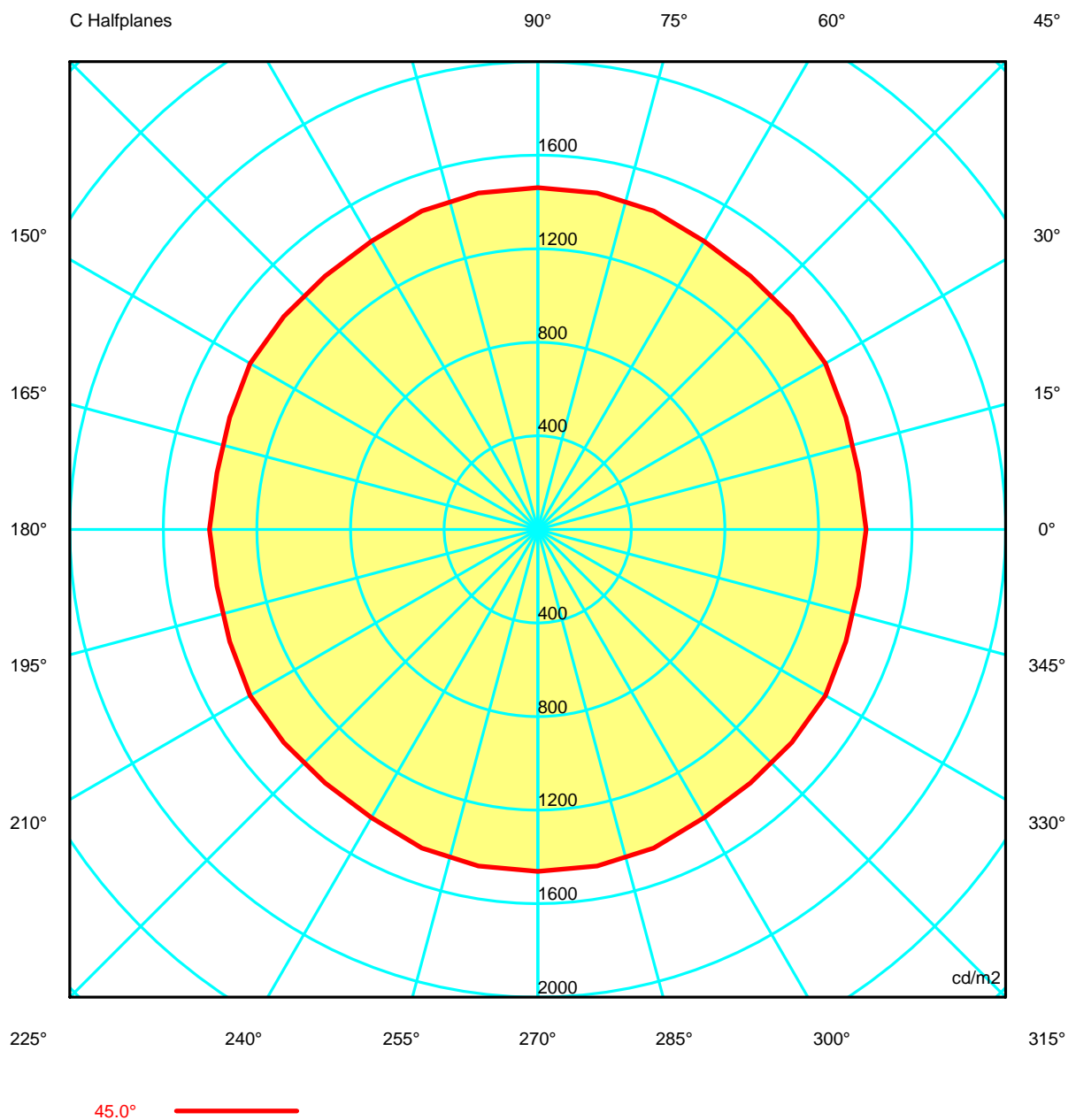
Average Luminance [cd/m ²]										
0.0°	45°	50°	55°	60°	65°	70°	75°	80°	85°	---
90.0°	1403	1434	1470	1501	1554	1449	1157	1716	2455	---
	1462	1512	1516	1581	1786	1670	1134	2197	2389	---

Flush mounted or transversal view												
		Illumination(lx)										
A	A	2000	1000	750	500		<300					1.15
B	1		2000	1500	1000	750	500	<300				1.5
C					2000		1000	500	<300			1.85
D	2						2000	1000	500	<300		2.2
E	3							2000	1000	500	<300	2.55



Luminaire		Measur.		Lamp	
Code	00-4850-E4-37	Code	00-4850-E4-37	Code	STANDAR GOC 100W O
Name	Colgante VINTAGE 100W A55 E27	Name	Colgante VINTAGE 100W A55 E27	Number	1
Line	- LEDS-C4	Date	09-04-2015	Position	Universal
Efficiency	88.95%	Coordinate system	CG	Total Flux	1340.00 lm
Maximum value	285.13 cd	Position	C=0.00 G=0.00	Double Symmetrical	

Luminance



Luminaire		Measur.		Lamp									
Code	00-4850-E4-37	Code	00-4850-E4-37	Code	STANDAR GOC 100W O								
Name	Colgante VINTAGE 100W A55 E27	Name	Colgante VINTAGE 100W A55 E27	Number	1								
Line	- LEDS-C4	Date	09-04-2015	Position	Universal								
Efficiency	88.95%	Coordinate system	CG	Total Flux	1340.00 lm								
Maximum value	285.13 cd	Position	C=0.00 G=0.00	Double Symmetrical									
Luminance cd/m ² Table 1/3													
	C 0.00	C 10.00	C 20.00	C 30.00	C 40.00	C 50.00	C 60.00	C 70.00	C 80.00	C 90.00	C 100.00	C 110.00	C 120.00
G 0.0	2963.56	2963.56	2963.56	2963.56	2963.56	2963.56	2963.56	2963.56	2963.56	2963.56	2963.56	2963.56	2963.56
G 5.0	2655.03	2627.94	2639.82	2682.73	2705.59	2673.86	2638.48	2680.80	2686.25	2611.85	2686.25	2680.80	2638.48
G 10.0	2130.27	2107.34	2147.19	2215.72	2214.35	2170.37	2151.03	2197.94	2224.02	2196.11	2224.02	2197.94	2151.03
G 15.0	1849.65	1832.15	1846.02	1877.86	1881.22	1855.93	1844.88	1889.56	1905.41	1862.91	1905.41	1889.56	1844.88
G 20.0	1665.01	1662.75	1667.47	1679.29	1688.36	1677.37	1662.14	1698.98	1725.75	1716.96	1725.75	1698.98	1662.14
G 25.0	1567.67	1571.14	1580.48	1594.47	1603.48	1593.86	1585.81	1614.06	1634.32	1627.60	1634.32	1614.06	1585.81
G 30.0	1493.44	1486.53	1495.44	1515.10	1522.04	1525.84	1526.48	1541.50	1550.44	1553.56	1550.44	1541.50	1526.48
G 35.0	1441.46	1430.71	1441.91	1463.31	1459.34	1454.19	1457.23	1473.10	1482.05	1485.18	1482.05	1473.10	1457.23
G 40.0	1423.45	1409.20	1413.32	1429.24	1429.41	1428.55	1426.65	1449.88	1461.81	1450.98	1461.81	1449.88	1426.65
G 45.0	1403.29	1392.37	1401.04	1419.52	1417.22	1414.23	1422.58	1449.33	1461.07	1461.84	1461.07	1449.33	1422.58
G 50.0	1434.30	1424.10	1426.91	1439.89	1448.38	1453.51	1465.80	1492.92	1507.18	1512.07	1507.18	1492.92	1465.80
G 55.0	1469.63	1437.40	1435.80	1460.35	1472.12	1478.47	1479.38	1526.51	1546.22	1515.52	1546.22	1526.51	1479.38
G 60.0	1501.37	1481.04	1477.48	1491.01	1506.45	1512.80	1525.48	1567.15	1590.85	1580.86	1590.85	1567.15	1525.48
G 65.0	1553.61	1577.80	1588.31	1591.72	1606.70	1657.01	1747.75	1755.66	1768.47	1786.19	1768.47	1755.66	1747.75
G 70.0	1448.61	1449.55	1502.20	1573.96	1470.11	1453.78	1539.28	1491.53	1507.64	1670.20	1507.64	1491.53	1539.28
G 75.0	1156.65	997.00	997.73	1125.40	1187.18	1147.26	1098.94	1288.10	1339.58	1133.76	1339.58	1288.10	1098.94
G 80.0	1716.42	1897.52	1859.60	1717.71	1802.29	1985.99	2083.52	2037.38	2051.75	2196.84	2051.75	2037.38	2083.52
G 85.0	2455.48	2369.56	2472.84	2585.16	2361.87	2239.80	2353.49	2409.25	2405.75	2388.60	2405.75	2409.25	2353.49
G 90.0	2300.44	2132.32	2152.42	2340.71	2489.27	2471.01	2376.51	2404.91	2416.05	2339.37	2416.05	2404.91	2376.51

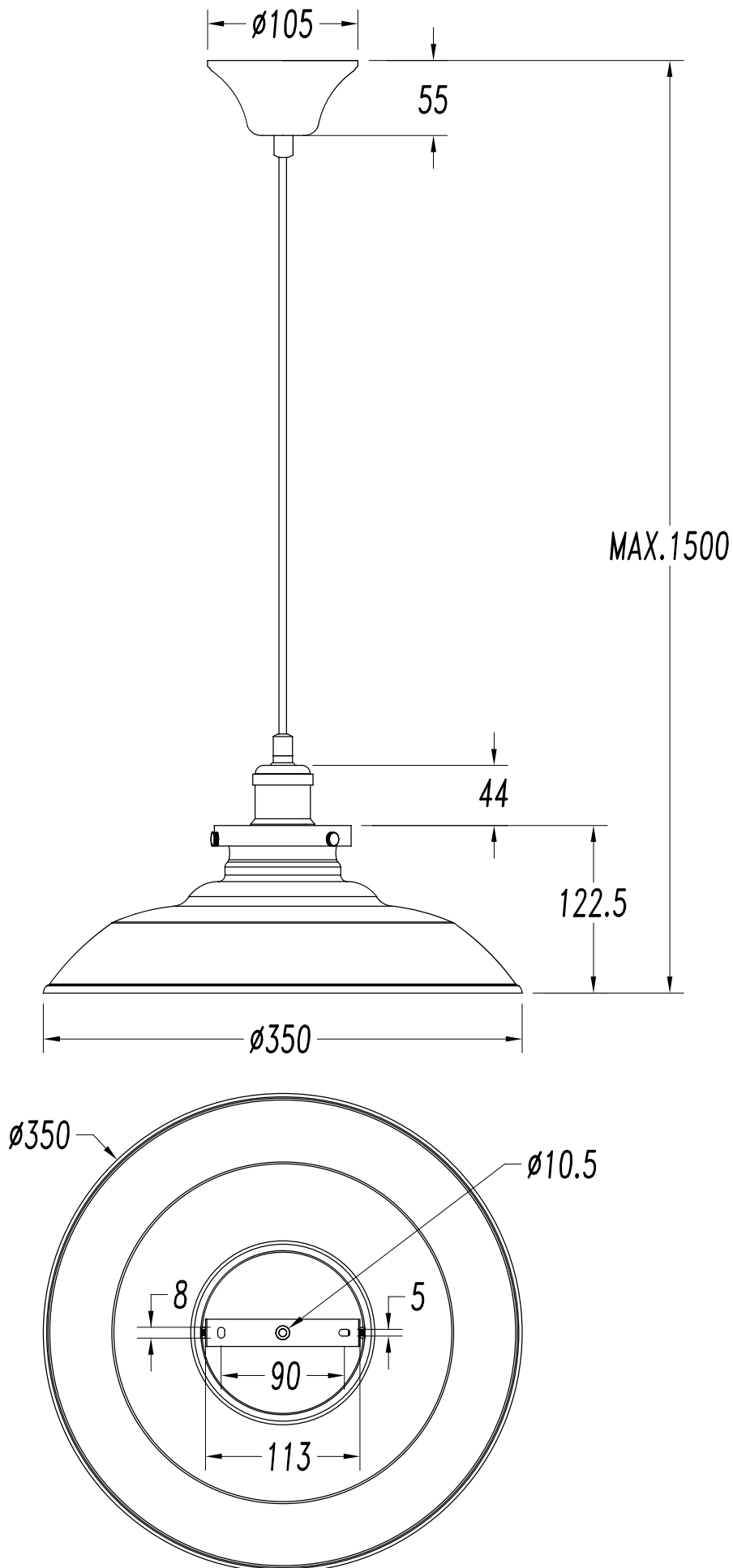
Luminaire		Measur.		Lamp									
Code	00-4850-E4-37	Code	00-4850-E4-37	Code	STANDAR GOC 100W O								
Name	Colgante VINTAGE 100W A55 E27	Name	Colgante VINTAGE 100W A55 E27	Number	1								
Line	- LEDS-C4	Date	09-04-2015	Position	Universal								
Efficiency	88.95%	Coordinate system	CG	Total Flux	1340.00 lm								
Maximum value	285.13 cd	Position	C=0.00 G=0.00	Double Symmetrical									
Luminance cd/m2 Table 2/3													
	C 130.00	C 140.00	C 150.00	C 160.00	C 170.00	C 180.00	C 190.00	C 200.00	C 210.00	C 220.00	C 230.00	C 240.00	C 250.00
G 0.0	2963.56	2963.56	2963.56	2963.56	2963.56	2963.56	2963.56	2963.56	2963.56	2963.56	2963.56	2963.56	2963.56
G 5.0	2673.86	2705.59	2682.73	2639.82	2627.94	2655.03	2627.94	2639.82	2682.73	2705.59	2673.86	2638.48	2680.80
G 10.0	2170.37	2214.35	2215.72	2147.19	2107.34	2130.27	2107.34	2147.19	2215.72	2214.35	2170.37	2151.03	2197.94
G 15.0	1855.93	1881.22	1877.86	1846.02	1832.15	1849.65	1832.15	1846.02	1877.86	1881.22	1855.93	1844.88	1889.56
G 20.0	1677.37	1688.36	1679.29	1667.47	1662.75	1665.01	1662.75	1667.47	1679.29	1688.36	1677.37	1662.14	1698.98
G 25.0	1593.86	1603.48	1594.47	1580.48	1571.14	1567.67	1571.14	1580.48	1594.47	1603.48	1593.86	1585.81	1614.06
G 30.0	1525.84	1522.04	1515.10	1495.44	1486.53	1493.44	1486.53	1495.44	1515.10	1522.04	1525.84	1526.48	1541.50
G 35.0	1454.19	1459.34	1463.31	1441.91	1430.71	1441.46	1430.71	1441.91	1463.31	1459.34	1454.19	1457.23	1473.10
G 40.0	1428.55	1429.41	1429.24	1413.32	1409.20	1423.45	1409.20	1413.32	1429.24	1429.41	1428.55	1426.65	1449.88
G 45.0	1414.23	1417.22	1419.52	1401.04	1392.37	1403.29	1392.37	1401.04	1419.52	1417.22	1414.23	1422.58	1449.33
G 50.0	1453.51	1448.38	1439.89	1426.91	1424.10	1434.30	1424.10	1426.91	1439.89	1448.38	1453.51	1465.80	1492.92
G 55.0	1478.47	1472.12	1460.35	1435.80	1437.40	1469.63	1437.40	1435.80	1460.35	1472.12	1478.47	1479.38	1526.51
G 60.0	1512.80	1506.45	1491.01	1477.48	1481.04	1501.37	1481.04	1477.48	1491.01	1506.45	1512.80	1525.48	1567.15
G 65.0	1657.01	1606.70	1591.72	1588.31	1577.80	1553.61	1577.80	1588.31	1591.72	1606.70	1657.01	1747.75	1755.66
G 70.0	1453.78	1470.11	1573.96	1502.20	1449.55	1448.61	1449.55	1502.20	1573.96	1470.11	1453.78	1539.28	1491.53
G 75.0	1147.26	1187.18	1125.40	997.73	997.00	1156.65	997.00	997.73	1125.40	1187.18	1147.26	1098.94	1288.10
G 80.0	1985.99	1802.29	1717.71	1859.60	1897.52	1716.42	1897.52	1859.60	1717.71	1802.29	1985.99	2083.52	2037.38
G 85.0	2239.80	2361.87	2585.16	2472.84	2369.56	2455.48	2369.56	2472.84	2585.16	2361.87	2239.80	2353.49	2409.25
G 90.0	2471.01	2489.27	2340.71	2152.42	2132.32	2300.44	2132.32	2152.42	2340.71	2489.27	2471.01	2376.51	2404.91

Luminaire		Measur.		Lamp	
Code	00-4850-E4-37	Code	00-4850-E4-37	Code	STANDAR GOC 100W O
Name	Colgante VINTAGE 100W A55 E27	Name	Colgante VINTAGE 100W A55 E27	Number	1
Line	- LEDS-C4	Date	09-04-2015	Position	Universal

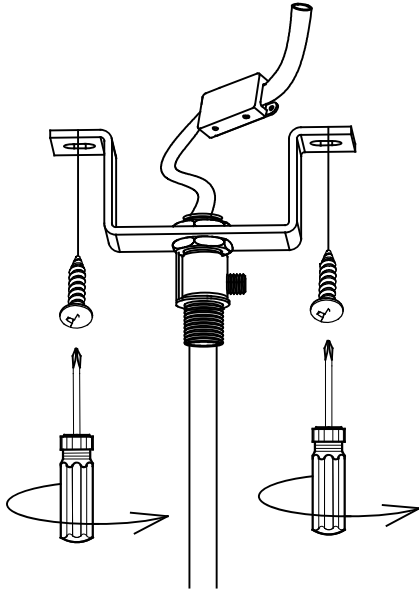
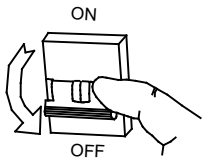
Efficiency	88.95%	Coordinate system	CG	Total Flux	1340.00 lm
Maximum value	285.13 cd	Position	C=0.00 G=0.00	Double Symmetrical	

Luminance cd/m2 Table 3/3

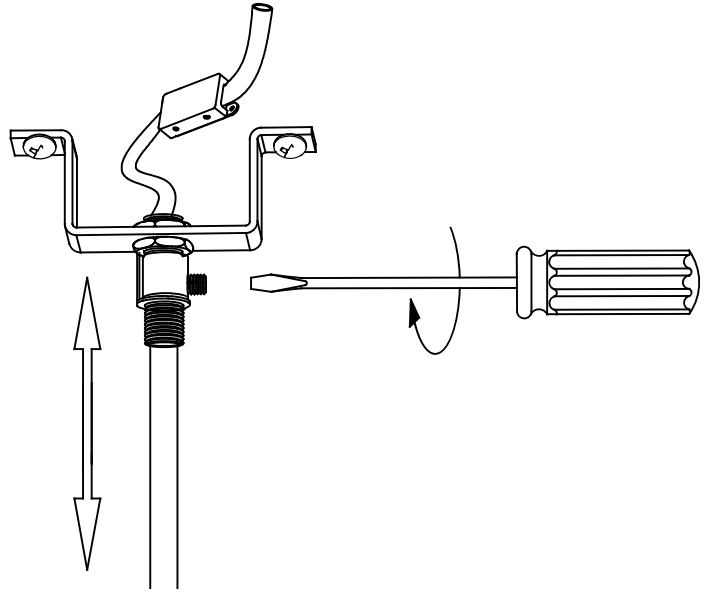
	C 260.00	C 270.00	C 280.00	C 290.00	C 300.00	C 310.00	C 320.00	C 330.00	C 340.00	C 350.00
G 0.0	2963.56	2963.56	2963.56	2963.56	2963.56	2963.56	2963.56	2963.56	2963.56	2963.56
G 5.0	2686.25	2611.85	2686.25	2680.80	2638.48	2673.86	2705.59	2682.73	2639.82	2627.94
G 10.0	2224.02	2196.11	2224.02	2197.94	2151.03	2170.37	2214.35	2215.72	2147.19	2107.34
G 15.0	1905.41	1862.91	1905.41	1889.56	1844.88	1855.93	1881.22	1877.86	1846.02	1832.15
G 20.0	1725.75	1716.96	1725.75	1698.98	1662.14	1677.37	1688.36	1679.29	1667.47	1662.75
G 25.0	1634.32	1627.60	1634.32	1614.06	1585.81	1593.86	1603.48	1594.47	1580.48	1571.14
G 30.0	1550.44	1553.56	1550.44	1541.50	1526.48	1525.84	1522.04	1515.10	1495.44	1486.53
G 35.0	1482.05	1485.18	1482.05	1473.10	1457.23	1454.19	1459.34	1463.31	1441.91	1430.71
G 40.0	1461.81	1450.98	1461.81	1449.88	1426.65	1428.55	1429.41	1429.24	1413.32	1409.20
G 45.0	1461.07	1461.84	1461.07	1449.33	1422.58	1414.23	1417.22	1419.52	1401.04	1392.37
G 50.0	1507.18	1512.07	1507.18	1492.92	1465.80	1453.51	1448.38	1439.89	1426.91	1424.10
G 55.0	1546.22	1515.52	1546.22	1526.51	1479.38	1478.47	1472.12	1460.35	1435.80	1437.40
G 60.0	1590.85	1580.86	1590.85	1567.15	1525.48	1512.80	1506.45	1491.01	1477.48	1481.04
G 65.0	1768.47	1786.19	1768.47	1755.66	1747.75	1657.01	1606.70	1591.72	1588.31	1577.80
G 70.0	1507.64	1670.20	1507.64	1491.53	1539.28	1453.78	1470.11	1573.96	1502.20	1449.55
G 75.0	1339.58	1133.76	1339.58	1288.10	1098.94	1147.26	1187.18	1125.40	997.73	997.00
G 80.0	2051.75	2196.84	2051.75	2037.38	2083.52	1985.99	1802.29	1717.71	1859.60	1897.52
G 85.0	2405.75	2388.60	2405.75	2409.25	2353.49	2239.80	2361.87	2585.16	2472.84	2369.56
G 90.0	2416.05	2339.37	2416.05	2404.91	2376.51	2471.01	2489.27	2340.71	2152.42	2132.32



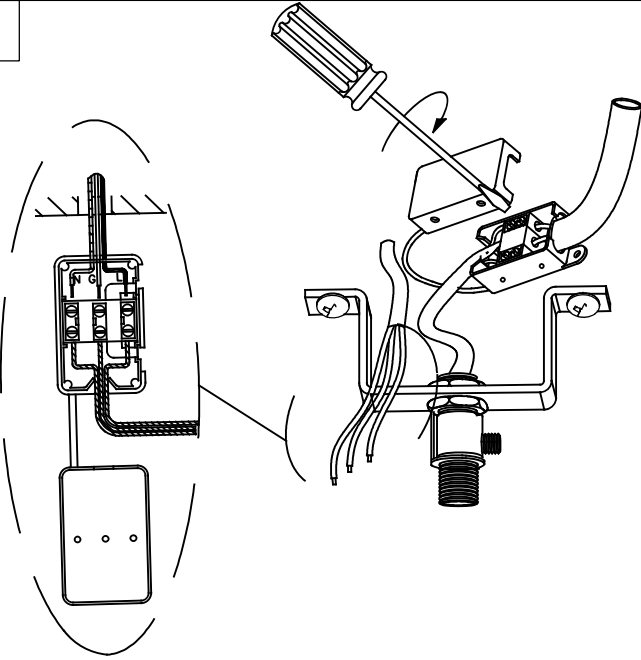
1



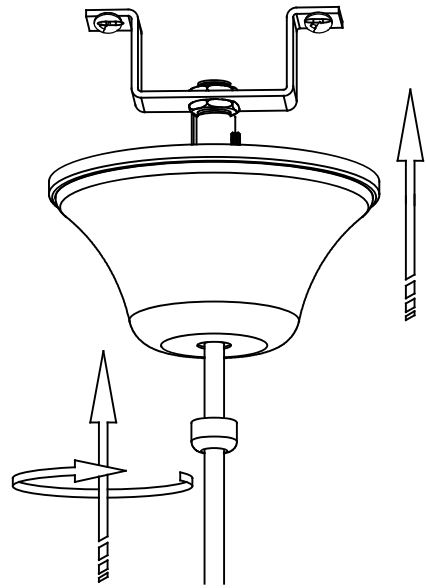
2



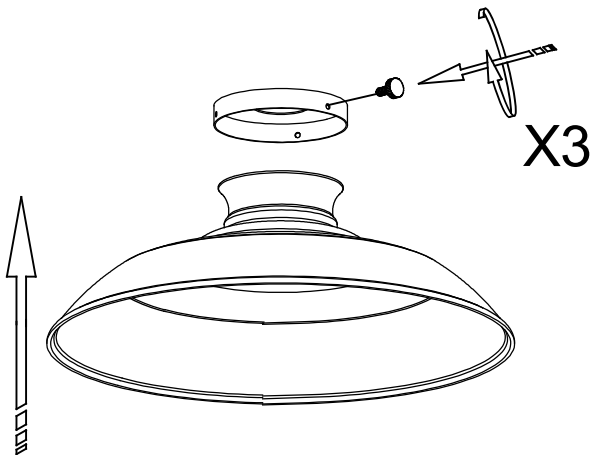
3



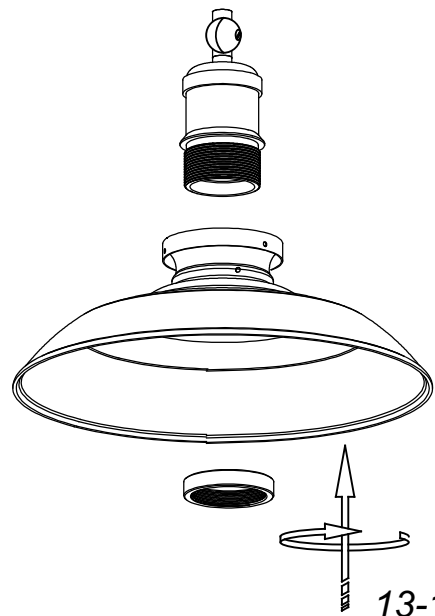
4



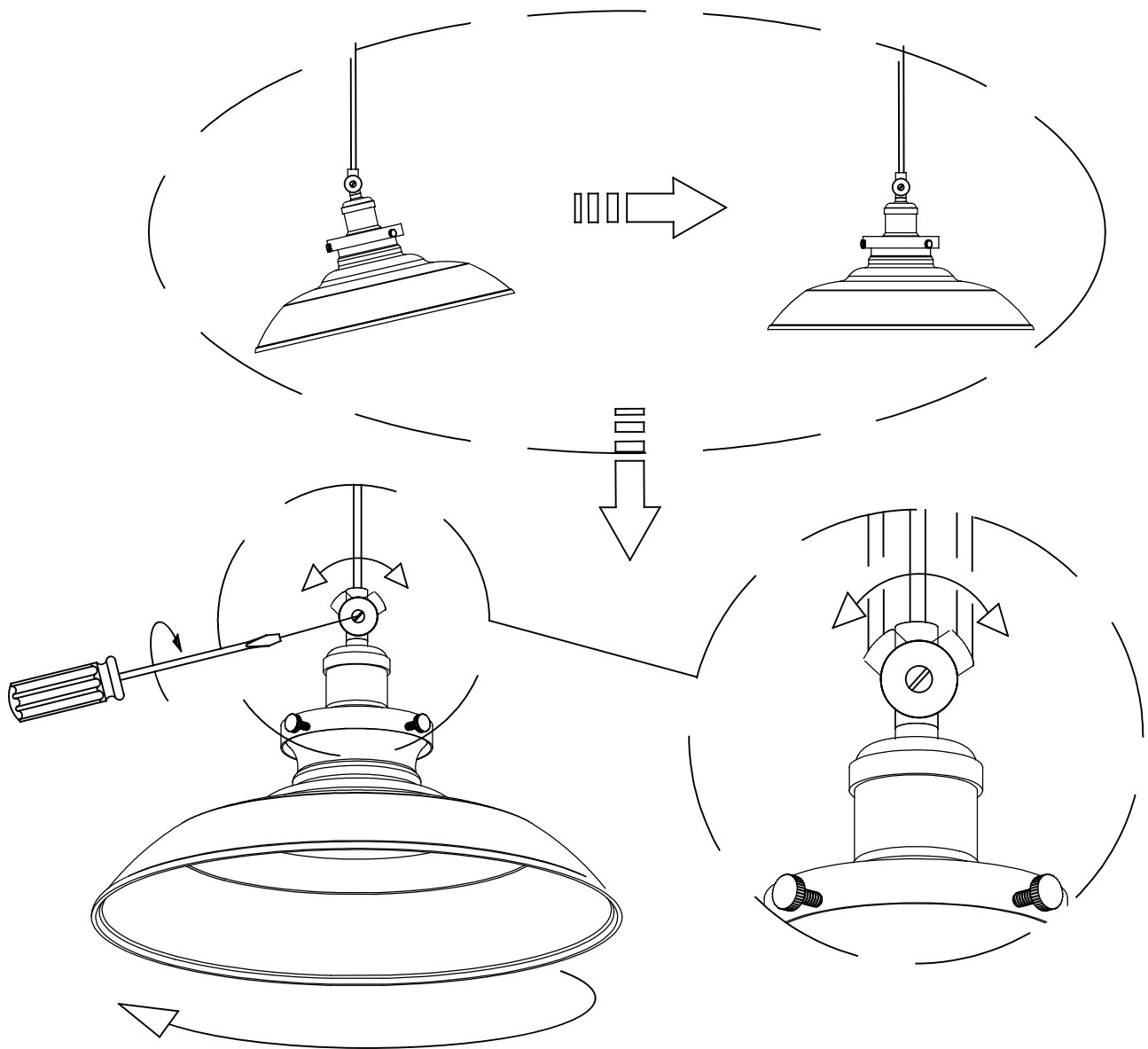
5



6



7



8

