

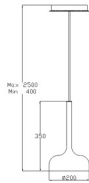
SIXTIES

Josep Patsi

00-3689-CI-CI

TECHNICAL FEATURES

IP20



Power (W) : 8.7W

Colour temperature : LED warm-white 3000K

Structure material : Steel

Structure finish : Brown

Diffuser material : Methacrylate

Diffuser finish : Transparent

Equipment included : Yes, electronic

Voltage / frequency : 100-240VAC/50-60Hz

Warranty : 2 Years

Max. temperature : 25°C

Energy efficiency : LED A++

LUMINOTECHNIC FEATURES

Light source: LED

CRI: 80

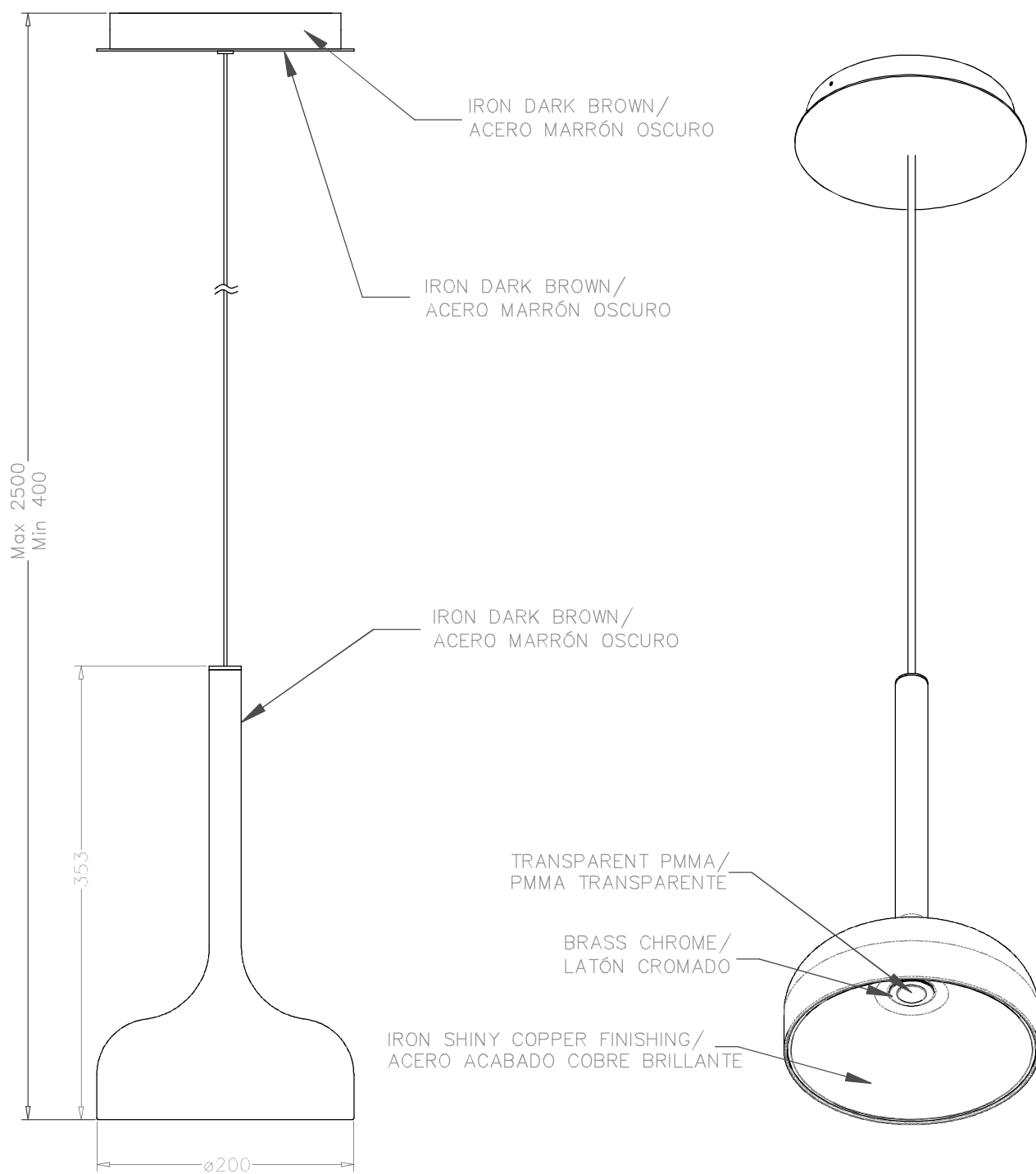
LOGISTICS



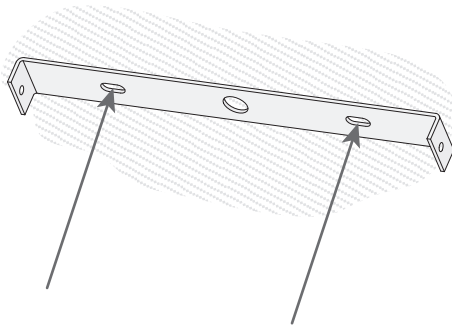
4 Un

LIGHT APPLICATION

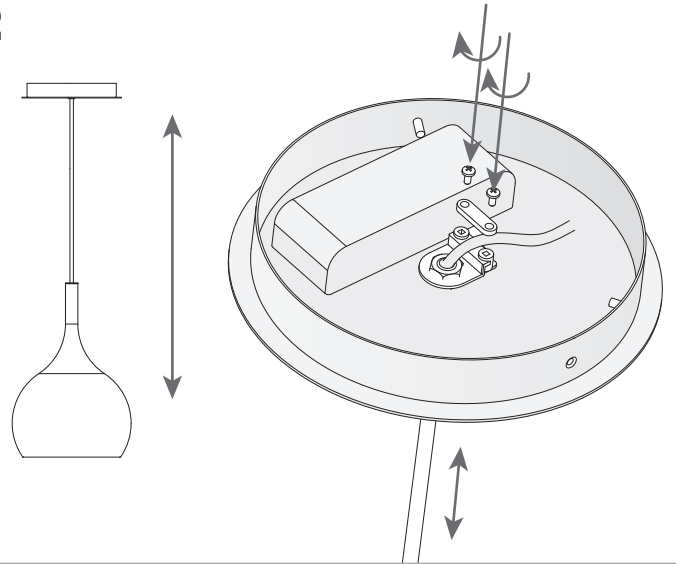




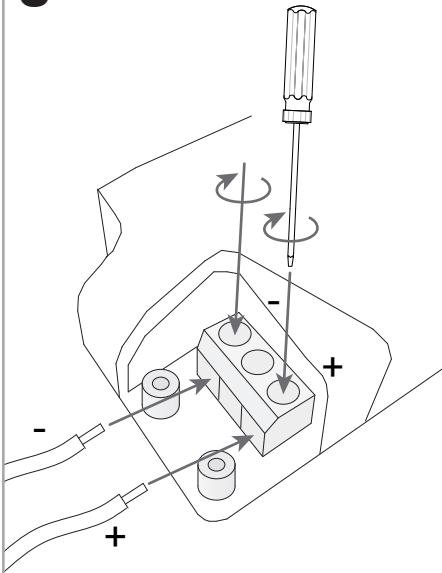
1



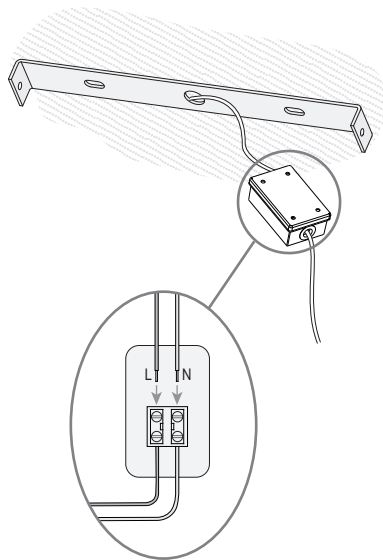
2



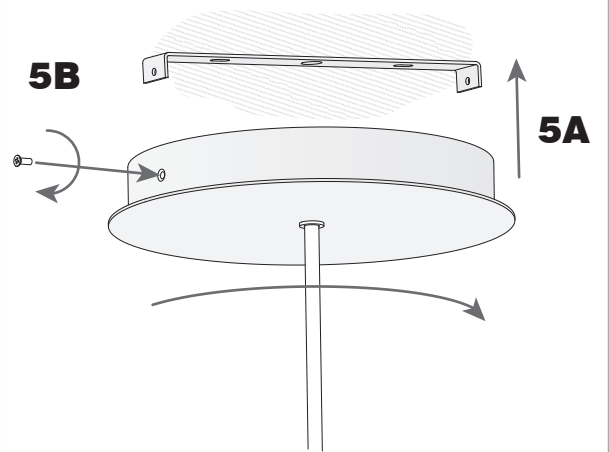
3



4



5



6

