

## 00-2908-T4-11V0

### NEO Pendant

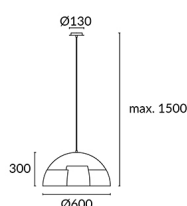
Designer: Carlos Santolaria & Manel Llusçà



#### Description

Pendant NEO E27 60W 1433lm

Structure	Material
	Steel Aluminium



#### TECHNICAL CHARACTERISTICS

##### Light source

Lampholder: 3 x E27  
 Light source power (W): MAX 60W  
 Luminaire total power (W): 180W  
 Lamp maximum dimension: 170/140 mm  
 Real Lumen: 1433  
 Quantity: 3  
 Lm/Real W: 8  
 Recommended lamp: E27

##### GEAR

Voltage / Frequency:  
 220-240VAC/50-60Hz

##### Luminaire

Warranty: 2 Years

##### Logistics

Energy Efficiency: NO BULB  
 EAN Code: 8435381409913  
 Net Weight (Kg): 2.8  
 Weight in Kg (packaged): 5.06  
 Packing: 650 x 655 x 385  
 Masterbox: 1

##### Smart Compatible

71-8219-00-00: LightForLife  
 RGBW E27 Light Bulb

The photograph may not match the reference exactly. Please read the product description to identify the finish.

## OPTIONAL ACCESSORIES

---



**71-2908-14-14**

White canopy installation accessory

Structure material: Aluminium

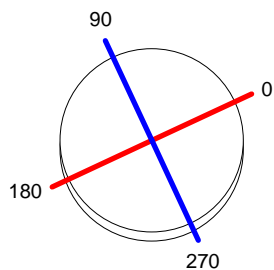
Dimensions: 85 x 146 x 51

Net Weight (Kg): 0.1

<b>Luminaire</b>		<b>Measur.</b>		<b>Lamp</b>	
Code	00-2908-T4-11	Code	00-2908-E2-16	Code	STANDARD S 60W E27
Name	Colgante NEO 3x60W E27	Name	Colgante NEO 3x60W E27	Number	3
Line	Eulumdat	Date	18-07-2014	Position	
Efficiency	74.64%	Coordinate system	CG	Total Flux	1920.00 lm
Maximum value	577.22 cd	Position	C=0.00 G=0.00	Double Symmetrical	
Round Luminaire	Diam.	600 mm	Height	300 mm	
Round Luminous Area	Diam.	596 mm	Height	0 mm	
Horizontal Luminous Area	0.278986 m2		Emitting area on Plane 180°	0.000000 m2	
Emitting area on Plane 0°	0.000000 m2		Emitting area on Plane 270°	0.000000 m2	
Emitting area on Plane 90°	0.000000 m2		Glare area at 76°	0.067493 m2	
Symmetry Type	Double Symmetrical		Maximum Gamma Angle	90	
Measurement Distance	0.00		Measurement Flux	1920.00 lm	
Operator	Asselum T2		Source voltage		
Temperature	25.00 °C		Source current		
Humidity	60.00 %		Photocell		
Notes					

Luminaire Lamps					
Line	Code	Name	Flux [lm]	Pow. [W]	Q.ty
Eulumdat	STANDARD S 60W E27	STANDARD S 60W E27 - 60.00 W	640.00	60.00	3
C.I.E.	55 87 97 100 75	D DIN 5040	A40		
F UTE	0.75 D	B NBN	BZ 4 / 0.8 / BZ 3 / 2.5 / BZ 4		

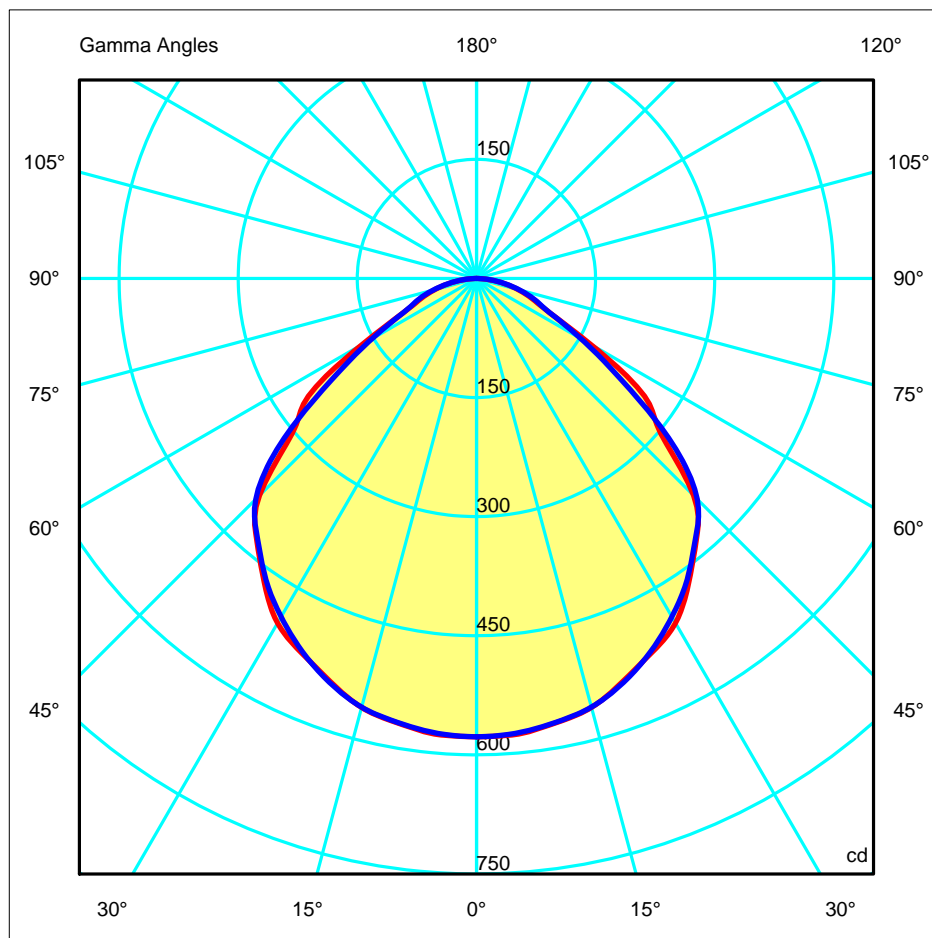
Diam=600mm



C Halfplanes

180.0 — 0.0  
270.0 — 90.0

ULOR 0.00 %  
DLOR 74.64 %  
RN 0.00 %

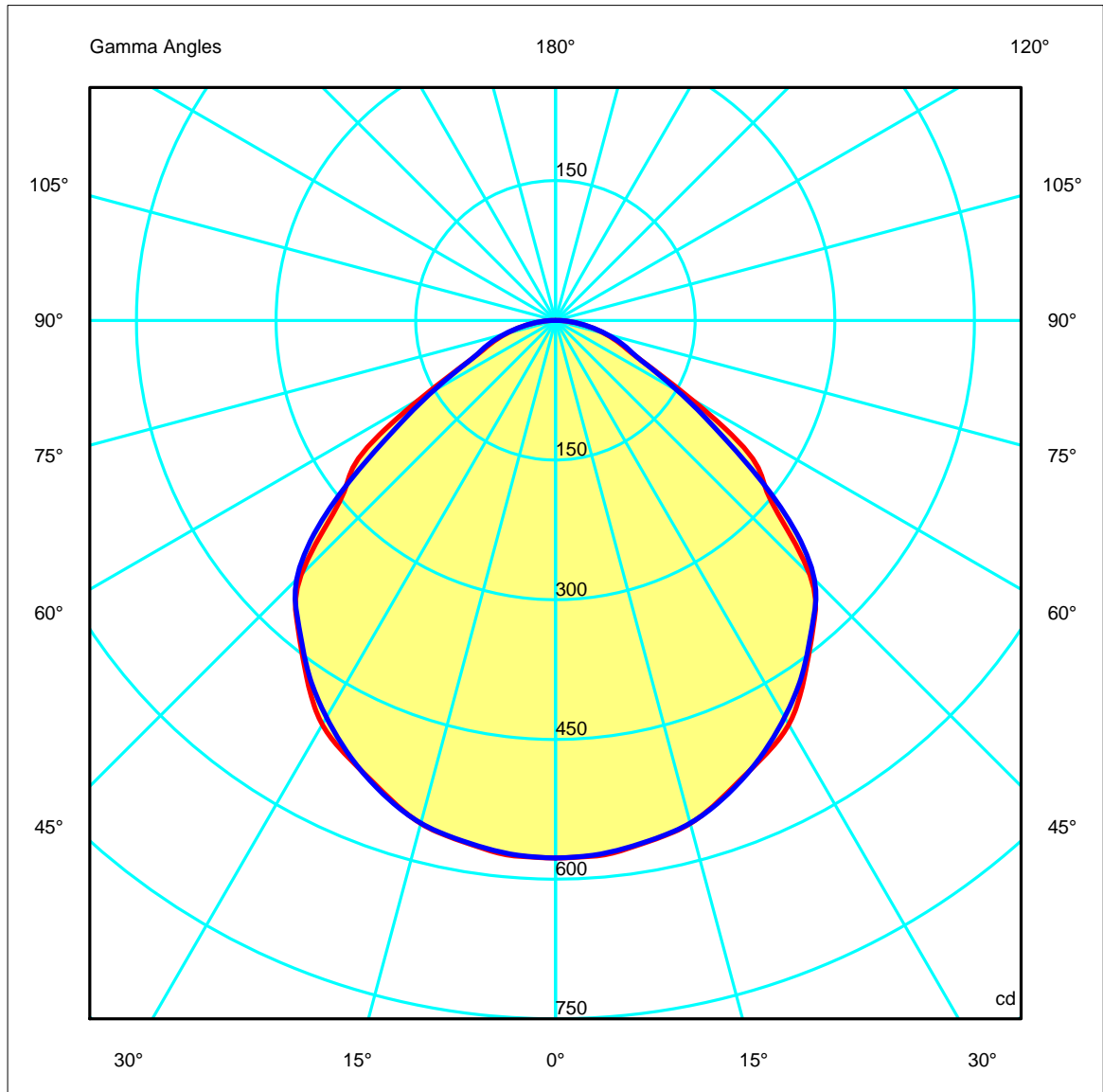
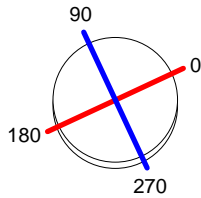


<b>Luminaire</b>		<b>Measur.</b>		<b>Lamp</b>	
Code	00-2908-T4-11	Code	00-2908-E2-16	Code	STANDARD S 60W E27
Name	Colgante NEO 3x60W E27	Name	Colgante NEO 3x60W E27	Number	3
Line	Eulumat	Date	18-07-2014	Position	
Efficiency	74.64%	Coordinate system	CG	Total Flux	1920.00 lm

Diam=600mm

C Halfplanes

180.0 ——— 0.0  
 270.0 ——— 90.0



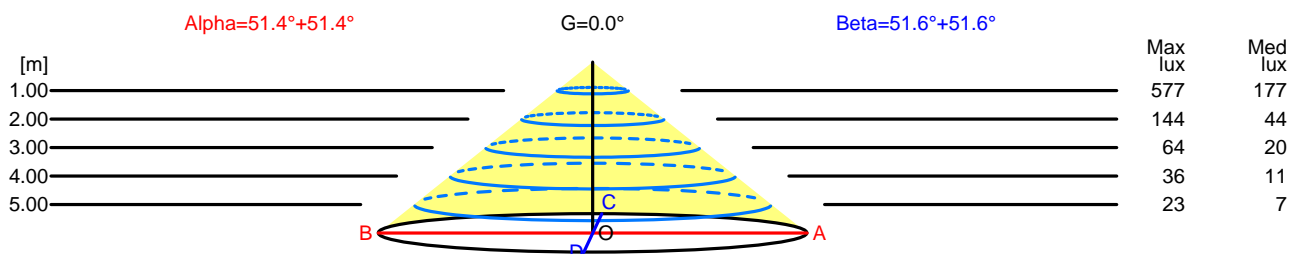
<b>Luminaire</b>	<b>Measur.</b>	<b>Lamp</b>
Code 00-2908-T4-11	Code 00-2908-E2-16	Code STANDARD S 60W E27
Name Colgante NEO 3x60W E27	Name Colgante NEO 3x60W E27	Number 3
Line Eulumdat	Date 18-07-2014	Position

Efficiency	74.64%	Coordinate system	CG	Total Flux	1920.00 lm
------------	--------	-------------------	----	------------	------------

Width at 50.00 % of Max Intensity

H[m]	1.00	2.00	3.00	4.00	5.00	H[m]	1.00	2.00	3.00	4.00	5.00
OA	1.25	2.51	3.76	5.02	6.27	OC	1.26	2.52	3.79	5.05	6.31
OB	1.25	2.51	3.76	5.02	6.27	OD	1.26	2.52	3.79	5.05	6.31

	Luminous Intensities [ cd ]									
	0	5	15	25	35	45	55	65	75	85
OA	577.22	576.45	559.22	520.52	466.38	386.53	258.51	101.77	55.38	16.51
OB	577.22	576.45	559.22	520.52	466.38	386.53	258.51	101.77	55.38	16.51
OC	577.22	574.80	558.76	518.61	462.51	393.15	223.33	101.30	56.08	16.76
OD	577.22	574.80	558.76	518.61	462.51	393.15	223.33	101.30	56.08	16.76



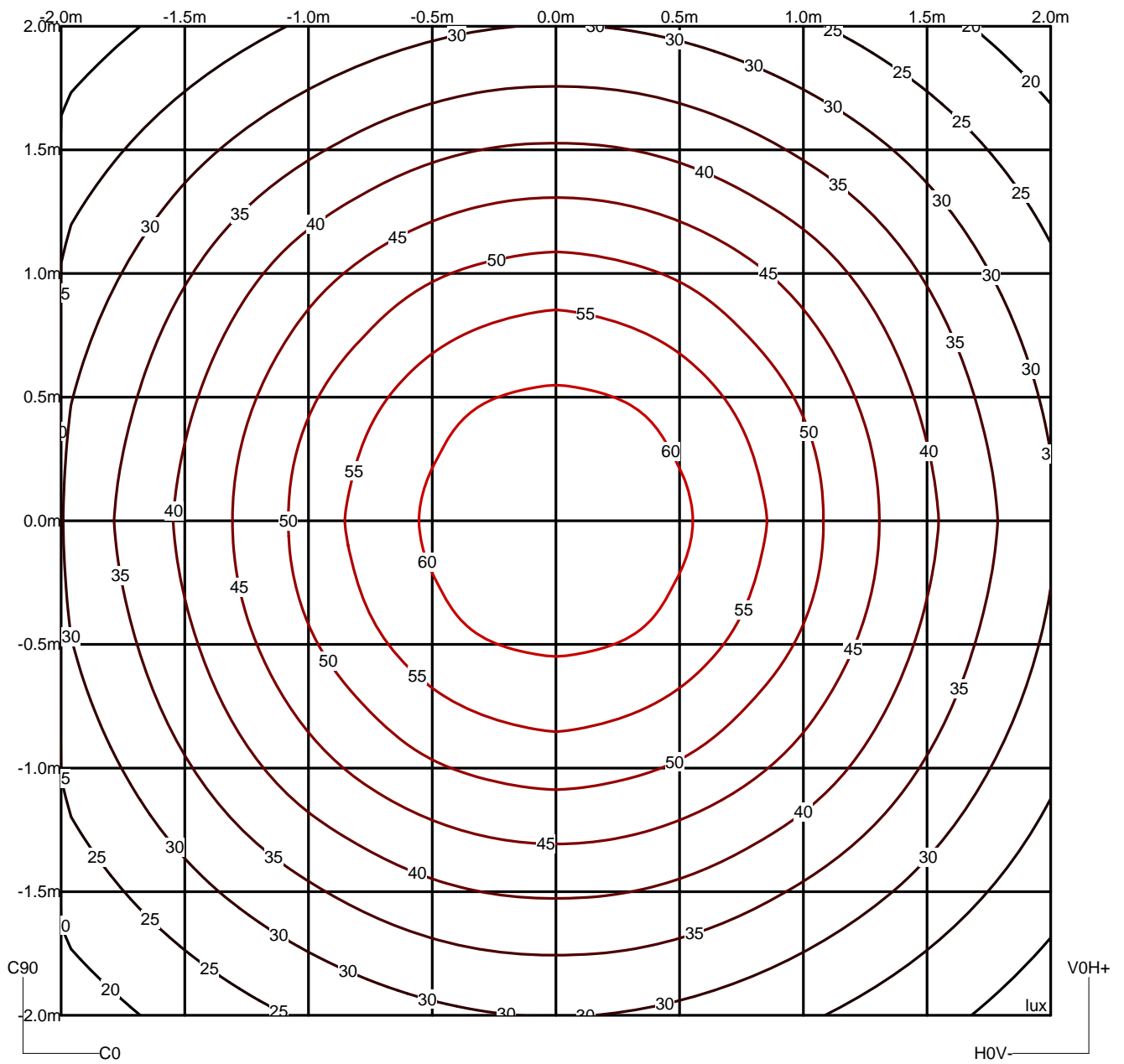
H[m]	D[m]	Max lux	Med lux	Alpha=51.4°+51.4°	G=0.0	
1.00	2.51	577	177			
2.00	5.02	144	44			
3.00	7.52	64	20			
4.00	10.03	36	11			
5.00	12.54	23	7			

H[m]	D[m]	Max lux	Med lux	Beta=51.6°+51.6°	G=0.0	
1.00	2.52	577	177			
2.00	5.05	144	44			
3.00	7.57	64	20			
4.00	10.10	36	11			
5.00	12.62	23	7			

<b>Luminaire</b>		<b>Measuram.</b>		<b>Lamp</b>	
Code	00-2908-T4-11	Code	00-2908-E2-16	Code	STANDARD S 60W E27
Name	Colgante NEO 3x60W E27	Name	Colgante NEO 3x60W E27	Number	3
Line	Eulumdat	Date	18-07-2014	Position	
Efficiency	74.64%	Coordinate system	CG	Total Flux	1920.00 lm

Isolux (Floor)

Luminaire position X=0.00m Y=0.00m Z=3.00m



**Luminaire**

Code 00-2908-T4-11  
 Name Colgante NEO 3x60W E27  
 Line Eulumdat

**Measur.**

Code 00-2908-E2-16  
 Name Colgante NEO 3x60W E27  
 Date 18-07-2014

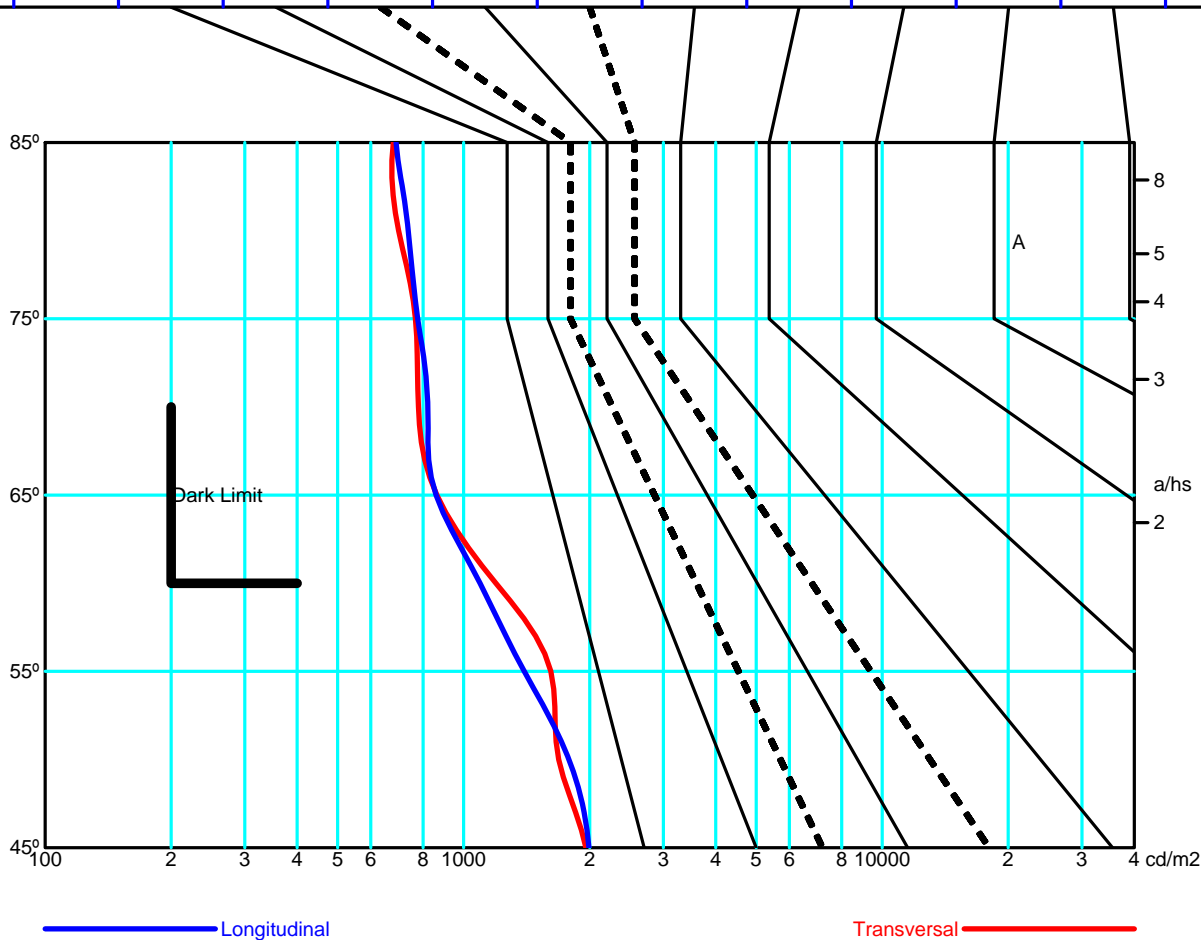
**Lamp**

Code STANDARD S 60W E27  
 Number 3  
 Position

Efficiency 74.64%      Coordinate system CG      Total Flux 1920.00 lm

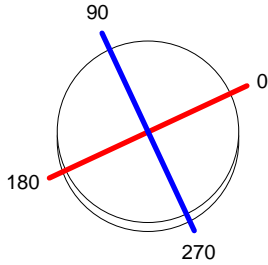
		Average Luminance [cd/m <sup>2</sup> ]										
		0.0°	45°	50°	55°	60°	65°	70°	75°	80°	85°	
0.0°		1959	1687	1616	1194	863	780	767	699	679	---	
90.0°		1993	1785	1396	1094	859	821	777	738	689	---	

Flush mounted or longitudinal view												
		Illumination(lx)										
A	A	2000	1000	750	500		<300					1.15
B	1		2000	1500	1000	750	500	<300				1.5
C					2000		1000	500	<300			1.85
D	2						2000	1000	500	<300		2.2
E	3							2000	1000	500	<300	2.55

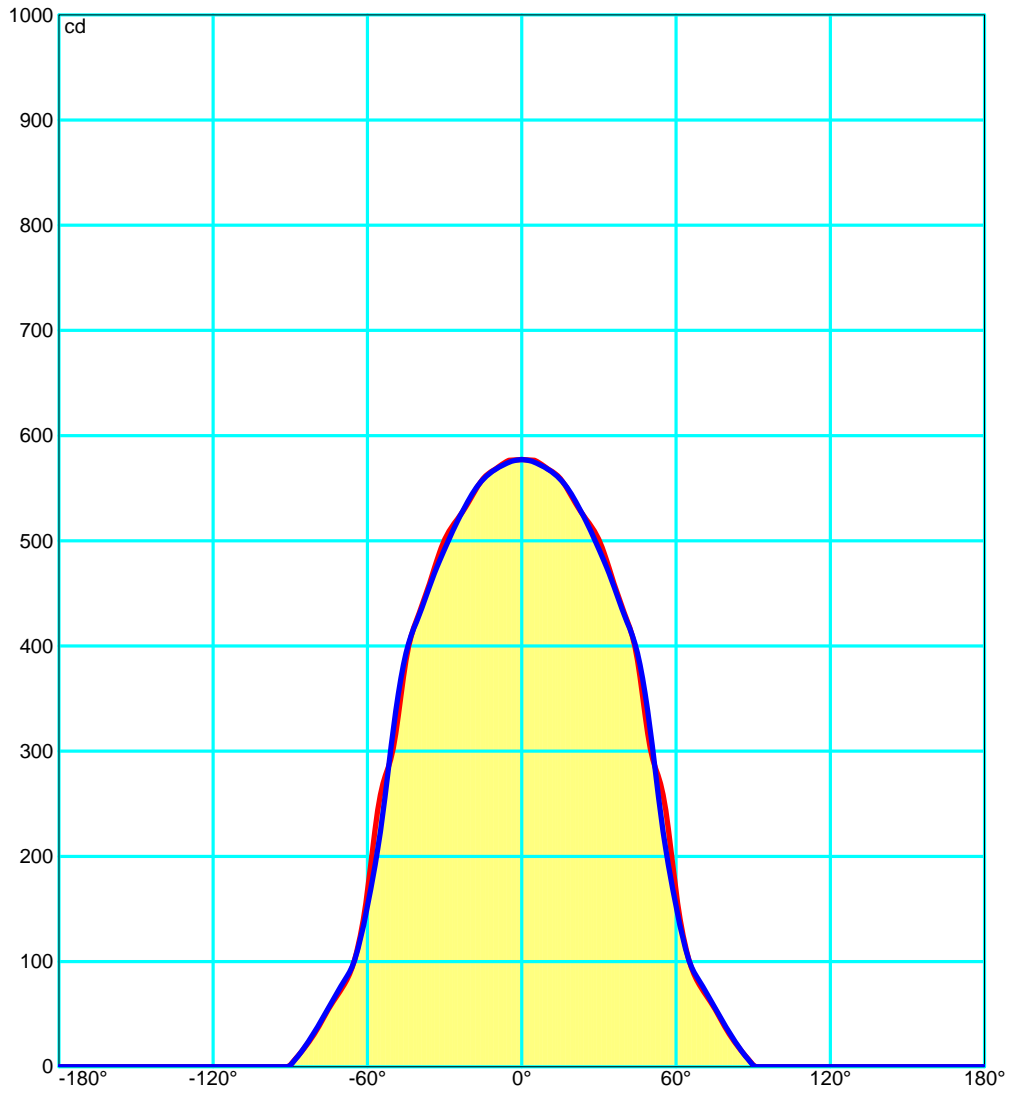


<b>Luminaire</b>		<b>Measur.</b>		<b>Lamp</b>	
Code	00-2908-T4-11	Code	00-2908-E2-16	Code	STANDARD S 60W E27
Name	Colgante NEO 3x60W E27	Name	Colgante NEO 3x60W E27	Number	3
Line	Eulumat	Date	18-07-2014	Position	
Efficiency	74.64%	Coordinate system	CG	Total Flux	1920.00 lm

Diam=600mm



C Halfplanes





<b>Luminaire</b>		<b>Measur.</b>		<b>Lamp</b>	
Code	00-2908-T4-11	Code	00-2908-E2-16	Code	STANDARD S 60W E27
Name	Colgante NEO 3x60W E27	Name	Colgante NEO 3x60W E27	Number	3
Line	Eulumdat	Date	18-07-2014	Position	
Efficiency	74.64%	Coordinate system	CG	Total Flux	1920.00 lm

**UGR**  
S = 0.250

Reflectancies										
Ceiling/Cavity	0.7	0.7	0.5	0.5	0.3	0.7	0.7	0.5	0.5	0.3
Walls	0.5	0.3	0.5	0.3	0.3	0.5	0.3	0.5	0.3	0.3
WorkingPlane	0.2	0.2	0.2	0.2	0.2	0.2	0.2	0.2	0.2	0.2
RoomDimensions	ViewedCrosswise					ViewedEndwise				
x=2H y=2H	13.5	14.7	13.8	15.0	15.0	13.3	14.5	13.6	14.7	15.0
x=2H y=3H	14.1	15.2	14.4	15.5	15.6	14.0	15.1	14.3	15.3	15.6
x=2H y=4H	14.5	15.5	14.8	15.8	15.9	14.3	15.4	14.7	15.6	15.9
x=2H y=6H	14.7	15.7	15.1	16.0	16.2	14.7	15.6	15.0	15.9	16.2
x=2H y=8H	14.8	15.8	15.2	16.1	16.3	14.8	15.7	15.1	16.0	16.3
x=2H y=12H	14.9	15.8	15.3	16.1	16.4	14.9	15.7	15.2	16.1	16.4
x=4H y=2H	13.9	14.9	14.2	15.1	15.3	13.7	14.7	14.0	15.0	15.3
x=4H y=3H	14.7	15.5	15.1	15.9	16.1	14.5	15.4	14.9	15.7	16.1
x=4H y=4H	15.1	15.9	15.5	16.2	16.5	15.0	15.8	15.4	16.1	16.5
x=4H y=6H	15.6	16.2	16.0	16.6	16.9	15.5	16.2	15.9	16.5	16.9
x=4H y=8H	15.7	16.3	16.2	16.7	17.1	15.7	16.3	16.1	16.7	17.1
x=4H y=12H	15.9	16.4	16.3	16.8	17.2	15.8	16.4	16.3	16.8	17.2
x=8H y=4H	15.4	16.0	15.8	16.4	16.7	15.3	15.9	15.7	16.3	16.7
x=8H y=6H	15.9	16.4	16.4	16.8	17.2	15.9	16.3	16.3	16.8	17.2
x=8H y=8H	16.2	16.6	16.7	17.1	17.5	16.1	16.5	16.6	17.0	17.5
x=8H y=12H	16.4	16.8	16.9	17.2	17.6	16.3	16.7	16.8	17.2	17.6
x=12H y=4H	15.4	15.9	15.8	16.3	16.7	15.3	15.8	15.7	16.3	16.7
x=12H y=6H	16.0	16.4	16.5	16.9	17.3	15.9	16.3	16.4	16.8	17.3
x=12H y=8H	16.3	16.7	16.8	17.1	17.5	16.2	16.6	16.7	17.1	17.5

<b>Luminaire</b>	<b>Measur.</b>	<b>Lamp</b>
Code 00-2908-T4-11	Code 00-2908-E2-16	Code STANDARD S 60W E27
Name Colgante NEO 3x60W E27	Name Colgante NEO 3x60W E27	Number 3
Line Eulumdat	Date 18-07-2014	Position

Efficiency	74.64%	Coordinate system	CG	Total Flux	1920.00 lm
------------	--------	-------------------	----	------------	------------

Total Flux=1920.00 Luminaire Flux=1433.14

RI	0.60	0.80	1.00	1.25	1.50	2.00	2.50	3.00	4.00	5.00	10.00	20.00
DRR	0.35	0.45	0.52	0.60	0.65	0.73	0.78	0.82	0.86	0.88	0.93	0.96
RC	4	4	4	4	4	3	3	3	4	4	4	4

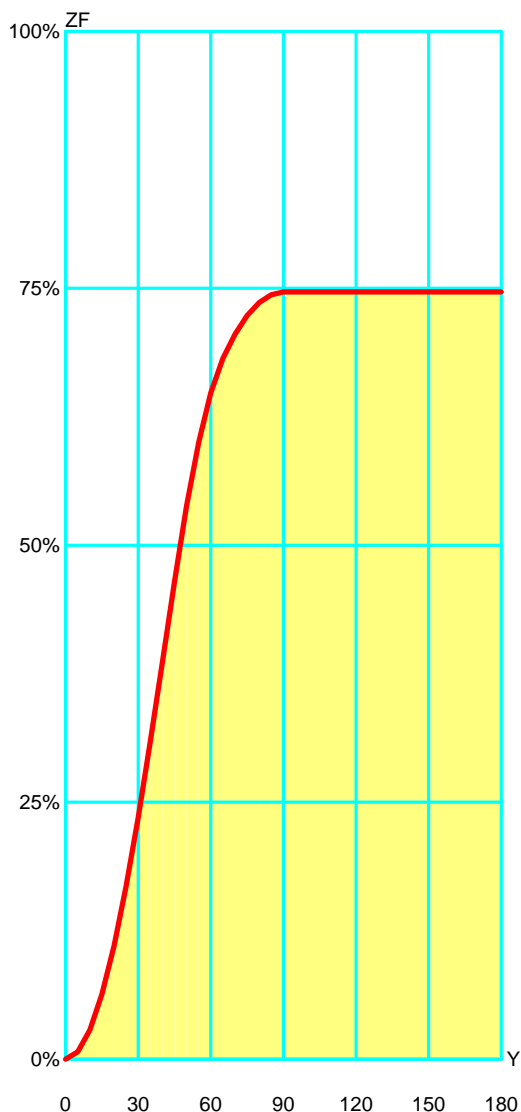
Zonal Flux per 1000 Lumen

Y°	10	20	30	40	50	60	70	80	90	100	110	120	130	140	150	160	170	180
ZF(Y)	28	110	235	386	538	648	705	736	746	746	746	746	746	746	746	746	746	746

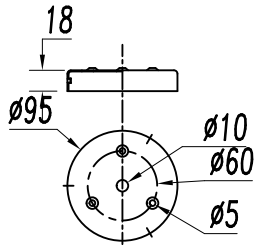
CIE Flux Codes

55 87 97 100 75

C.I.E.	4/4/4/4/3/3/3/4/4/4/4	LOR	74.64253 %
D DIN 5040	A40	ULOR	0.00000 %
F UTE	0.75 D	DLOR	74.64253 %
B NBN	BZ 4 / 0.8 / BZ 3 / 2.5 / BZ 4	UFF	0.00000 %
RN	0.00000 %	DFF	100.00000 %
BLF	1.0	FFR	0.00000 %



Zonal Flux				
Gamma °	Flux	Sum lm	Flux [%]	Sum [%]
0°	0.00	0.00	0.00%	0.00 %
5°	7.17	7.17	0.96 %	0.96 %
10°	21.29	28.46	2.85 %	3.81 %
15°	34.75	63.22	4.66 %	8.47 %
20°	47.09	110.31	6.31 %	14.78 %
25°	57.94	168.24	7.76 %	22.54 %
30°	66.97	235.21	8.97 %	31.51 %
35°	73.64	308.85	9.87 %	41.38 %
40°	77.46	386.31	10.38 %	51.75 %
45°	78.56	464.87	10.52 %	62.28 %
50°	73.59	538.47	9.86 %	72.14 %
55°	61.76	600.22	8.27 %	80.41 %
60°	48.00	648.22	6.43 %	86.84 %
65°	33.69	681.91	4.51 %	91.36 %
70°	23.48	705.40	3.15 %	94.50 %
75°	18.05	723.44	2.42 %	96.92 %
80°	12.75	736.19	1.71 %	98.63 %
85°	7.54	743.72	1.01 %	99.64 %
90°	2.70	746.43	0.36 %	100.00 %
95°	0.00	746.43	0.00 %	100.00 %
100°	0.00	746.43	0.00 %	100.00 %
105°	0.00	746.43	0.00 %	100.00 %
110°	0.00	746.43	0.00 %	100.00 %
115°	0.00	746.43	0.00 %	100.00 %
120°	0.00	746.43	0.00 %	100.00 %
125°	0.00	746.43	0.00 %	100.00 %
130°	0.00	746.43	0.00 %	100.00 %
135°	0.00	746.43	0.00 %	100.00 %
140°	0.00	746.43	0.00 %	100.00 %
145°	0.00	746.43	0.00 %	100.00 %
150°	0.00	746.43	0.00 %	100.00 %
155°	0.00	746.43	0.00 %	100.00 %
160°	0.00	746.43	0.00 %	100.00 %
165°	0.00	746.43	0.00 %	100.00 %
170°	0.00	746.43	0.00 %	100.00 %
175°	0.00	746.43	0.00 %	100.00 %
180°	0.00	746.43	0.00 %	100.00 %



IRON/OLD GOLD  
OLD SILVER

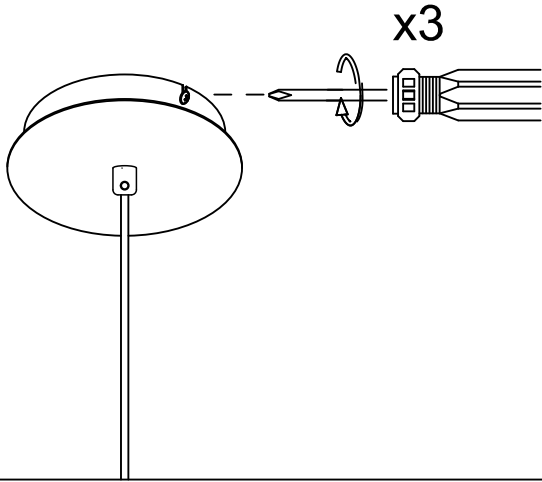
MAX 1500

AL/OLD GOLD  
OLD SILVER

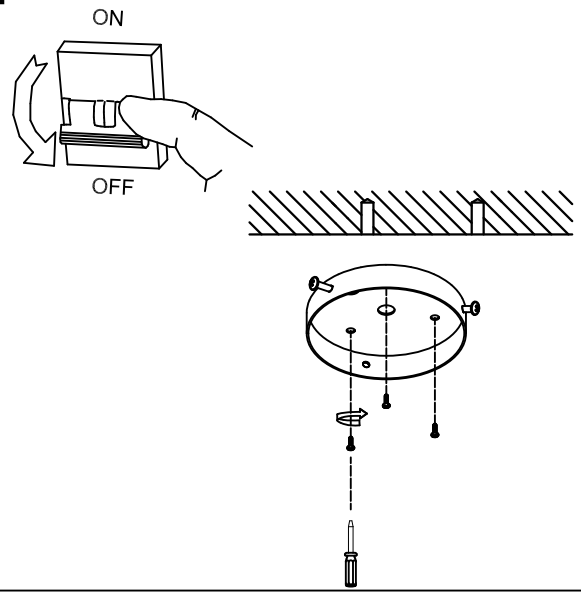
300

$\varnothing 600$

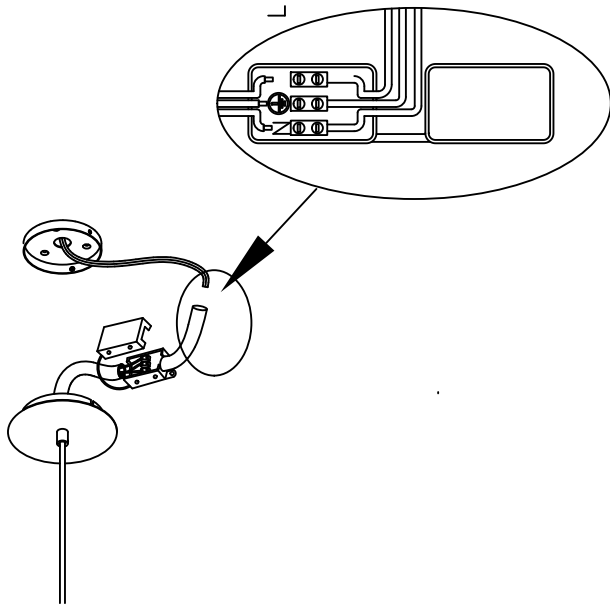
1



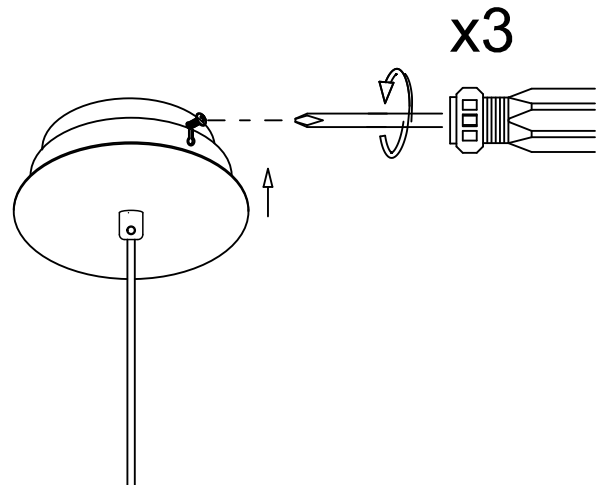
2



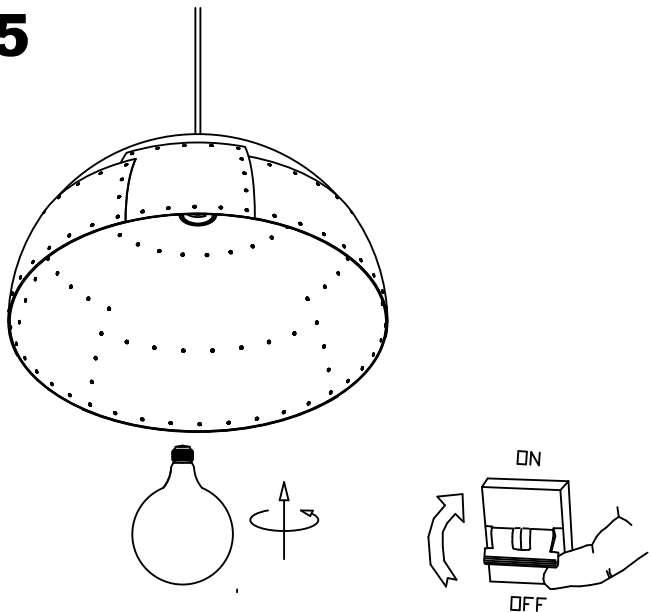
3



4



5



6

