

00-2011-21-16

V0

## VINTAGE Pendant

Designer: Manel Llusçà

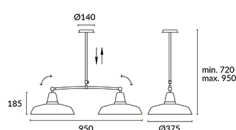


### Description

Pendant VINTAGE E27 100W Chrome 183lm

	Finish	Material
Structure	Chrome	Steel

 IP20 
  FLOOD 91° 
  1



### TECHNICAL CHARACTERISTICS

#### Light source

Lampholder: 2 x E27  
 Light source power (W): MAX 100W  
 Luminaire total power (W): 200W  
 Lamp maximum dimension: 140/80 mm  
 Real Lumen: 183  
 Quantity: 2  
 Lm/Real W: 1  
 UGR: 10.9  
 Recommended lamp: E27

#### GEAR

Voltage / Frequency:  
 100-240VAC/50-60Hz

#### Luminaire

Warranty: 2 Years

#### Logistics

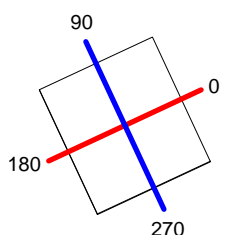
Energy Efficiency: NO BULB  
 EAN Code: 8435381406820  
 Net Weight (Kg): 3.06  
 Weight in Kg (packaged): 4.75  
 Packing: 450 x 310 x 1005  
 Masterbox: 1

The photograph may not match the reference exactly. Please read the product description to identify the finish.

<b>Luminaire</b>		<b>Measur.</b>		<b>Lamp</b>		
Code	00-2011-21-16	Code	00-2011-21-26	Code	INCANDESCENT	
Name	PENDANT LAMP	Name	PENDANT LAMP	Number	1	
Line	Eulumdat	Date	16-11-2013	Position		
Efficiency	33.33%	Coordinate system	CG	Total Flux	550.00 lm	
Maximum value	109.34 cd	Position	C=0.00 G=8.00	Asymmetrical		
Rectangular Luminaire	Length	220 mm	Width	200 mm	Height	1 mm
Rectangular Luminous Area	Length	220 mm	Width	200 mm	Height	0 mm
Horizontal Luminous Area	0.044000 m2	Emitting area on Plane 180°		0.000000 m2		
Emitting area on Plane 0°	0.000000 m2	Emitting area on Plane 270°		0.000000 m2		
Emitting area on Plane 90°	0.000000 m2	Glare area at 76°		0.010645 m2		
Symmetry Type	Asymmetrical	Maximum Gamma Angle		90		
Measurement Distance	0.00	Measurement Flux		550.00 lm		
Operator		Source voltage				
Temperature	25.00 °C	Source current				
Humidity	60.00 %	Photocell				
Notes						

Luminaire Lamps						
Line	Code	Name	Flux [lm]	Pow. [W]	Q.ty	
Eulumdat	INCANDESCENT	INCANDESCENT - 56.70 W	550.00	56.70	1	
C.I.E.	67 94 99 100 33	D DIN 5040		A50		
F UTE	0.33 C	B NBN		BZ 2		

220mm x 200mm



**C Halfplanes**

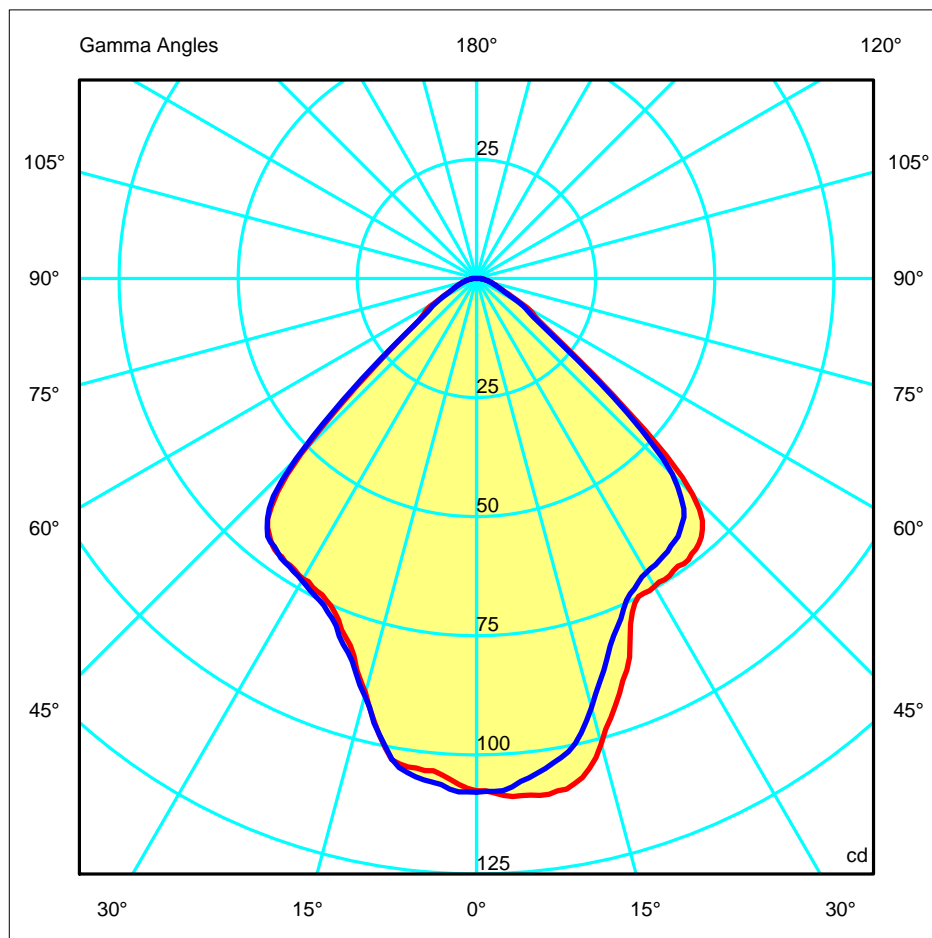
180.0 — 0.0

270.0 — 90.0

ULOR 0.00 %

DLOR 33.33 %

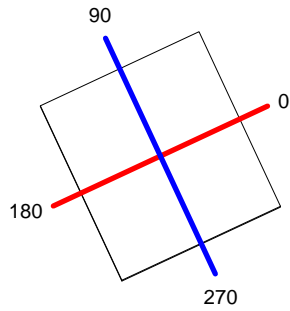
RN 0.00 %



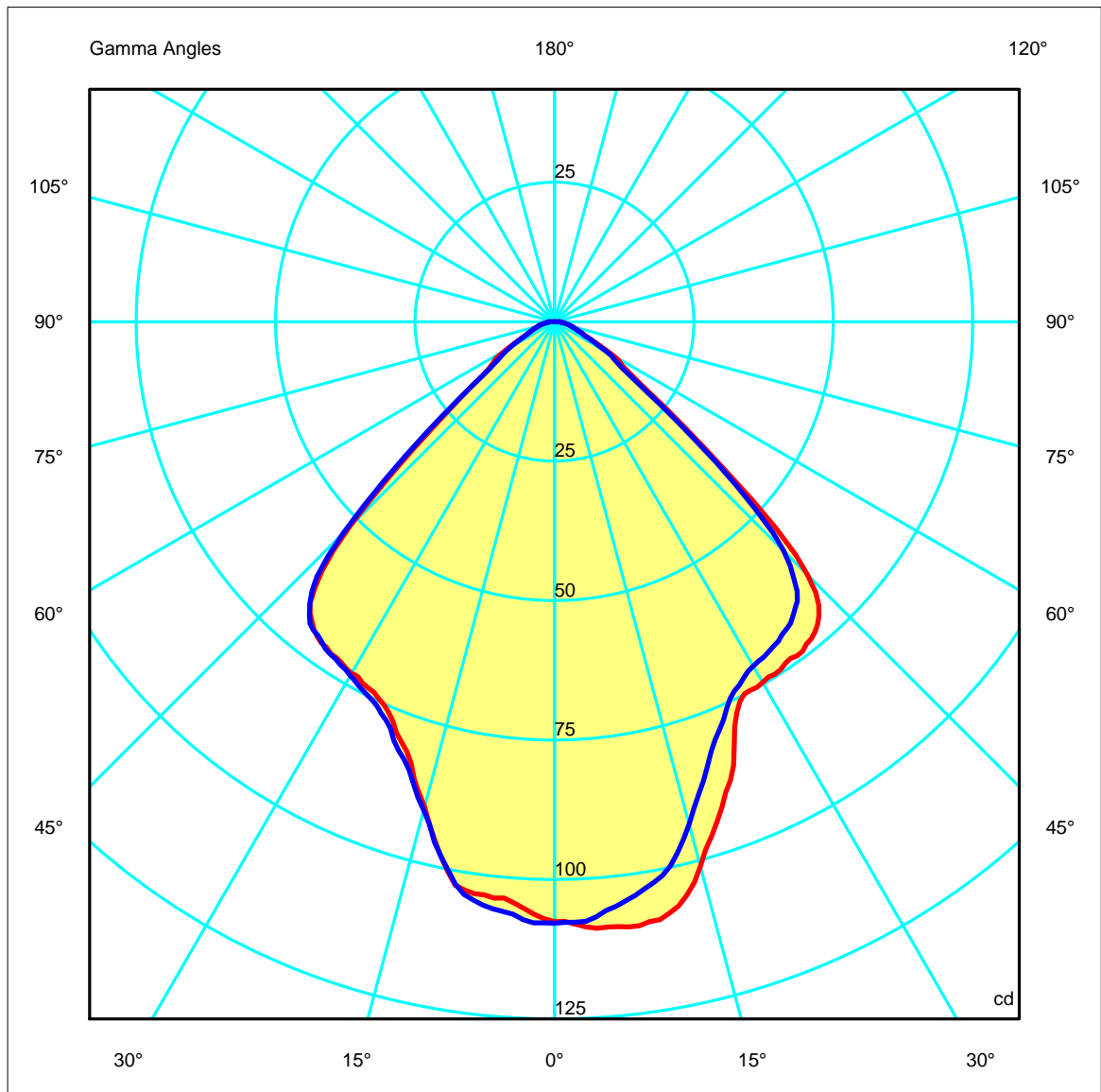
<b>Luminaire</b>		<b>Measur.</b>		<b>Lamp</b>	
Code	00-2011-21-16	Code	00-2011-21-26	Code	INCANDESCENT
Name	PENDANT LAMP	Name	PENDANT LAMP	Number	1
Line	Eulumdat	Date	16-11-2013	Position	
Efficiency	33.33%	Coordinate system	CG	Total Flux	550.00 lm

220mm x 200mm

C Halfplanes



180.0 ——— 0.0  
270.0 ——— 90.0



<b>Luminaire</b>	<b>Measur.</b>	<b>Lamp</b>
Code 00-2011-21-16	Code 00-2011-21-26	Code INCANDESCENT
Name PENDANT LAMP	Name PENDANT LAMP	Number 1
Line Eulumdat	Date 16-11-2013	Position

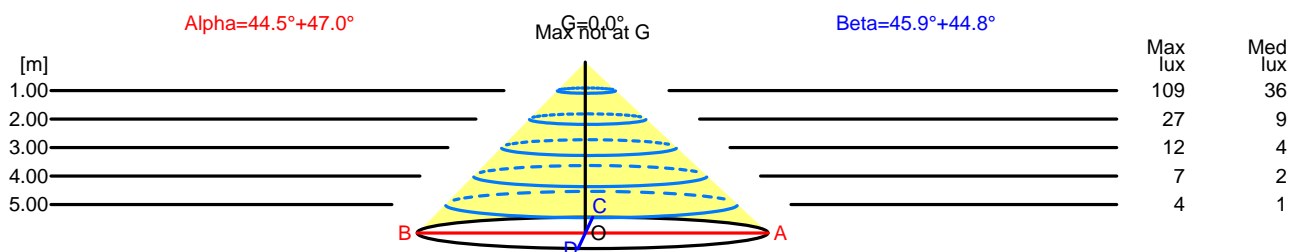
Efficiency 33.33%	Coordinate system CG	Total Flux 550.00 lm
-------------------	----------------------	----------------------

Width at 50.00 % of Max Intensity

	H[m]	1.00	2.00	3.00	4.00	5.00	H[m]	1.00	2.00	3.00	4.00	5.00
	OA	1.07	2.14	3.21	4.28	5.35	OC	1.03	2.07	3.10	4.13	5.17
	OB	0.98	1.97	2.95	3.93	4.91	OD	0.99	1.98	2.98	3.97	4.96

Luminous Intensities [ cd ]

	0	5	15	25	35	45	55	65	75	85
OA	107.53	108.93	101.08	77.34	73.71	64.14	17.28	6.52	3.33	1.42
OB	107.53	103.71	90.00	74.57	71.25	52.10	14.11	5.64	2.81	1.42
OC	107.81	105.96	93.23	74.52	69.94	58.14	15.64	6.05	3.03	1.22
OD	107.81	106.12	90.63	75.74	71.59	53.57	13.24	5.69	3.05	1.36



H[m]	D[m]	Max lux	Med lux	Alpha=44.5°+47.0°	G=0.0 Max not at G
1.00	2.05	109	36		
2.00	4.11	27	9		
3.00	6.16	12	4		
4.00	8.21	7	2		
5.00	10.27	4	1		

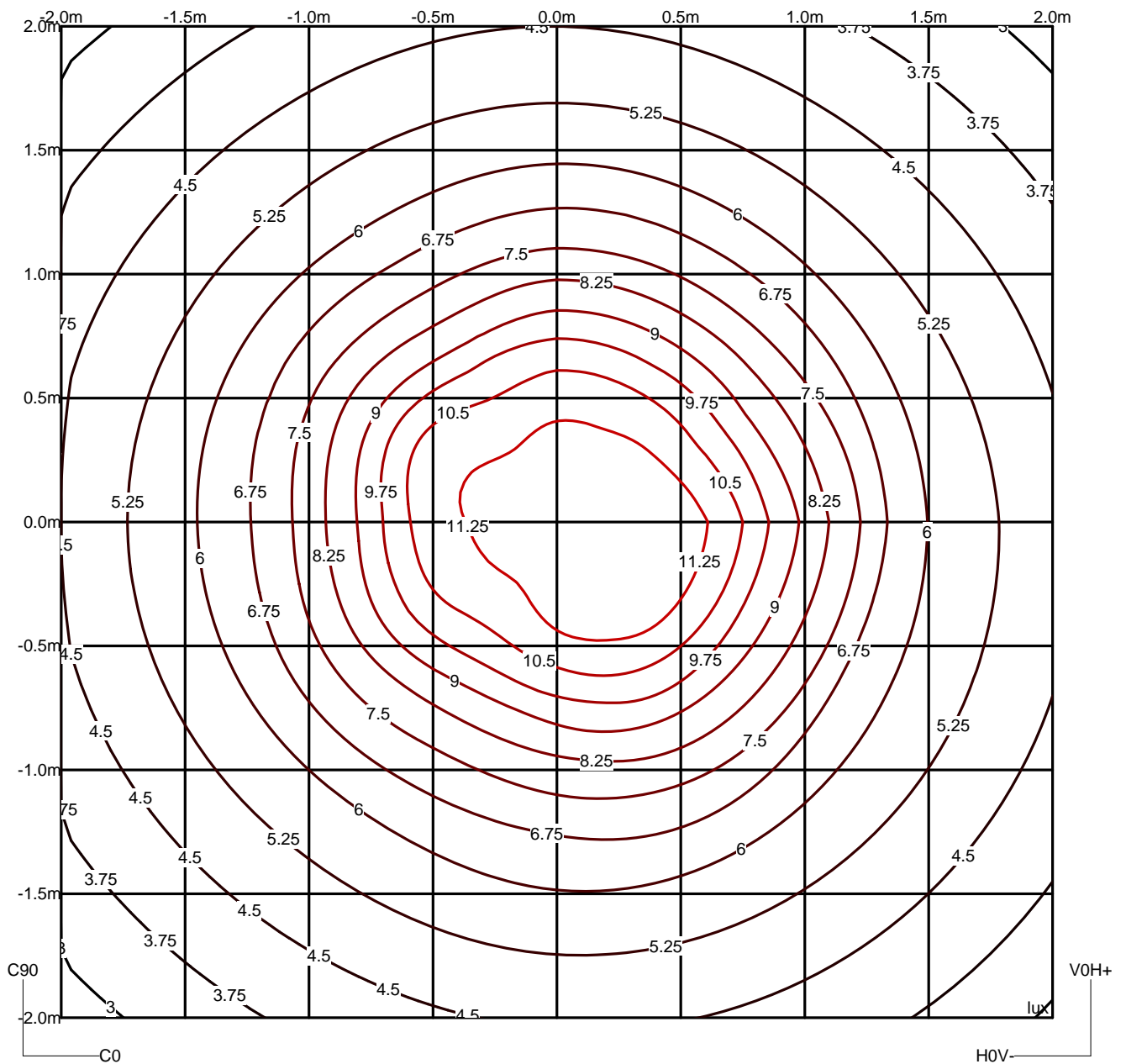
H[m]	D[m]	Max lux	Med lux	Beta=44.8°+45.9°	G=0.0 Max not at G
1.00	2.03	109	36		
2.00	4.05	27	9		
3.00	6.08	12	4		
4.00	8.10	7	2		
5.00	10.13	4	1		

<b>Luminaire</b> Code 00-2011-21-16 Name PENDANT LAMP Line Eulumdat	<b>Measuram.</b> Code 00-2011-21-26 Name PENDANT LAMP Date 16-11-2013	<b>Lamp</b> Code INCANDESCENT Number 1 Position
--	--	--

Efficiency 33.33%	Coordinate system CG	Total Flux 550.00 lm
-------------------	----------------------	----------------------

Isolux (Floor)

Luminaire position X=0.00m Y=0.00m Z=3.00m



**Luminaire**

Code 00-2011-21-16  
 Name PENDANT LAMP  
 Line Eulumdat

**Measur.**

Code 00-2011-21-26  
 Name PENDANT LAMP  
 Date 16-11-2013

**Lamp**

Code INCANDESCENT  
 Number 1  
 Position

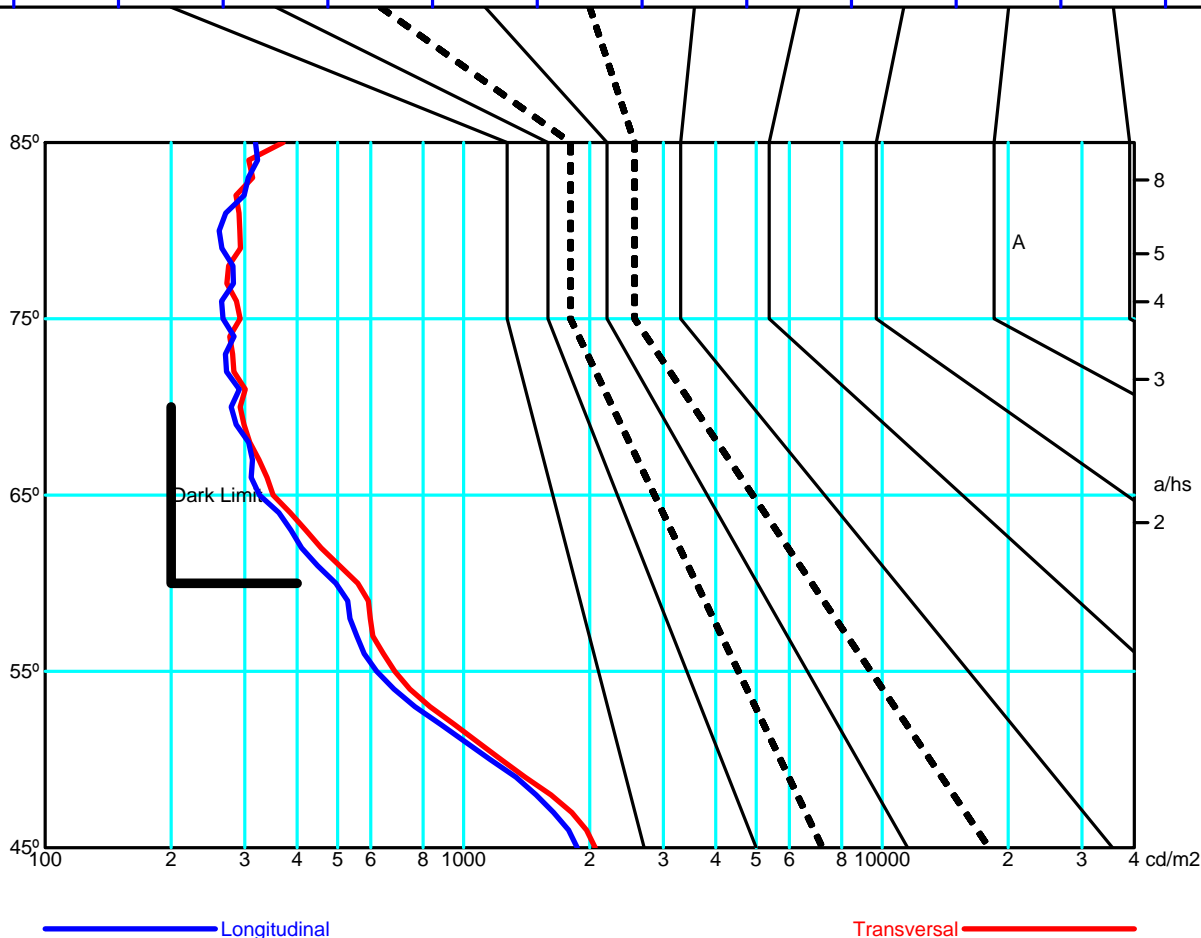
Efficiency 33.33%

Coordinate system CG

Total Flux 550.00 lm

		Average Luminance [cd/m <sup>2</sup> ]										
		0.0°	45°	50°	55°	60°	65°	70°	75°	80°	85°	
0.0°	2062	1228	685	559	351	292	292	292	292	370	---	
90.0°	1869	1157	620	495	325	278	266	260	318	---		

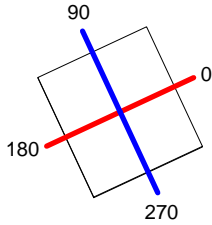
Flush mounted or longitudinal view												
		Illumination(lx)										
A	A	2000	1000	750	500		<300				1.15	
B	1		2000	1500	1000	750	500	<300			1.5	
C					2000		1000	500	<300		1.85	
D	2						2000	1000	500	<300	2.2	
E	3							2000	1000	500	<300	2.55



<b>Luminaire</b>	<b>Measur.</b>	<b>Lamp</b>
Code 00-2011-21-16	Code 00-2011-21-26	Code INCANDESCENT
Name PENDANT LAMP	Name PENDANT LAMP	Number 1
Line Eulumdat	Date 16-11-2013	Position

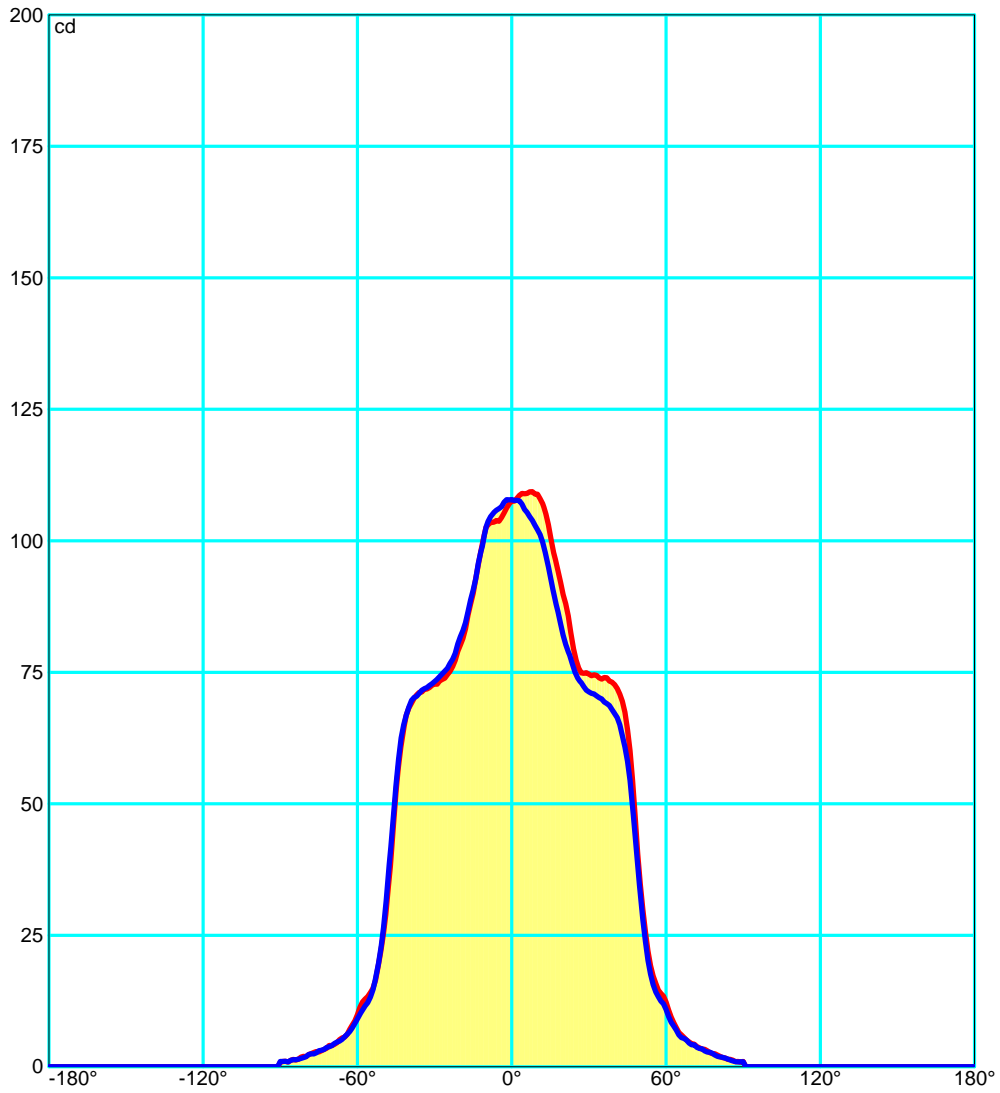
Efficiency 33.33%	Coordinate system CG	Total Flux 550.00 lm
-------------------	----------------------	----------------------

220mm x 200mm



C Halfplanes

180.0		0.0
270.0		90.0



<b>Luminaire</b>		<b>Measur.</b>		<b>Lamp</b>	
Code	00-2011-21-16	Code	00-2011-21-26	Code	INCANDESCENT
Name	PENDANT LAMP	Name	PENDANT LAMP	Number	1
Line	Eulumdat	Date	16-11-2013	Position	
Efficiency	33.33%	Coordinate system	CG	Total Flux	550.00 lm

**UGR**  
S = 0.250

Reflectancies										
Ceiling/Cavity	0.7	0.7	0.5	0.5	0.3	0.7	0.7	0.5	0.5	0.3
Walls	0.5	0.3	0.5	0.3	0.3	0.5	0.3	0.5	0.3	0.3
WorkingPlane	0.2	0.2	0.2	0.2	0.2	0.2	0.2	0.2	0.2	0.2
RoomDimensions	ViewedCrosswise					ViewedEndwise				
x=2H y=2H	10.9	12.0	11.2	12.2	12.3	10.9	11.9	11.2	12.2	12.3
x=2H y=3H	11.1	12.0	11.4	12.2	12.4	11.0	11.9	11.3	12.2	12.4
x=2H y=4H	11.1	12.0	11.5	12.3	12.6	11.1	12.0	11.4	12.3	12.6
x=2H y=6H	11.2	12.0	11.6	12.3	12.6	11.2	12.0	11.5	12.3	12.6
x=2H y=8H	11.3	12.0	11.6	12.3	12.6	11.2	12.0	11.6	12.3	12.6
x=2H y=12H	11.3	12.1	11.7	12.4	12.7	11.3	12.0	11.6	12.3	12.7
x=4H y=2H	10.9	11.8	11.3	12.1	12.4	10.9	11.8	11.3	12.1	12.4
x=4H y=3H	11.2	11.9	11.6	12.3	12.6	11.1	11.9	11.5	12.2	12.6
x=4H y=4H	11.3	12.0	11.7	12.3	12.6	11.3	11.9	11.7	12.3	12.6
x=4H y=6H	11.5	12.1	11.9	12.4	12.8	11.5	12.1	11.9	12.4	12.8
x=4H y=8H	11.6	12.1	12.1	12.5	12.9	11.6	12.1	12.0	12.5	12.9
x=4H y=12H	11.7	12.2	12.2	12.6	13.0	11.7	12.1	12.1	12.5	13.0
x=8H y=4H	11.4	11.9	11.8	12.3	12.7	11.3	11.9	11.8	12.3	12.7
x=8H y=6H	11.7	12.1	12.1	12.5	12.9	11.6	12.0	12.1	12.4	12.9
x=8H y=8H	11.8	12.2	12.3	12.6	13.0	11.8	12.1	12.3	12.6	13.0
x=8H y=12H	12.0	12.3	12.5	12.7	13.2	11.9	12.3	12.4	12.7	13.2
x=12H y=4H	11.4	11.8	11.8	12.2	12.6	11.3	11.8	11.8	12.2	12.6
x=12H y=6H	11.7	12.0	12.2	12.5	12.9	11.6	12.0	12.1	12.5	12.9
x=12H y=8H	11.9	12.2	12.3	12.6	13.1	11.8	12.1	12.3	12.6	13.1



<b>Luminaire</b>	<b>Measur.</b>	<b>Lamp</b>
Code 00-2011-21-16	Code 00-2011-21-26	Code INCANDESCENT
Name PENDANT LAMP	Name PENDANT LAMP	Number 1
Line Eulumdat	Date 16-11-2013	Position

Efficiency 33.33%	Coordinate system CG	Total Flux 550.00 lm
-------------------	----------------------	----------------------

Total Flux=550.00 Luminaire Flux=183.29

RI	0.60	0.80	1.00	1.25	1.50	2.00	2.50	3.00	4.00	5.00	10.00	20.00
DRR	0.45	0.53	0.61	0.68	0.72	0.80	0.84	0.87	0.90	0.92	0.95	0.97
RC	3	2	2	2	2	2	2	2	2	2	2	3

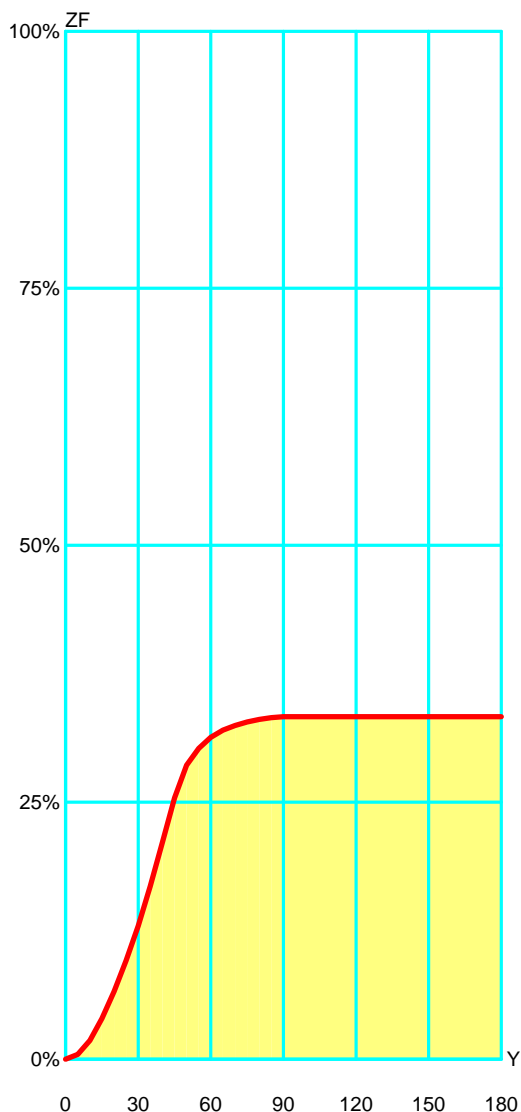
Zonal Flux per 1000 Lumen

Y°	10	20	30	40	50	60	70	80	90	100	110	120	130	140	150	160	170	180
ZF(Y)	18	66	130	211	286	313	325	331	333	333	333	333	333	333	333	333	333	333

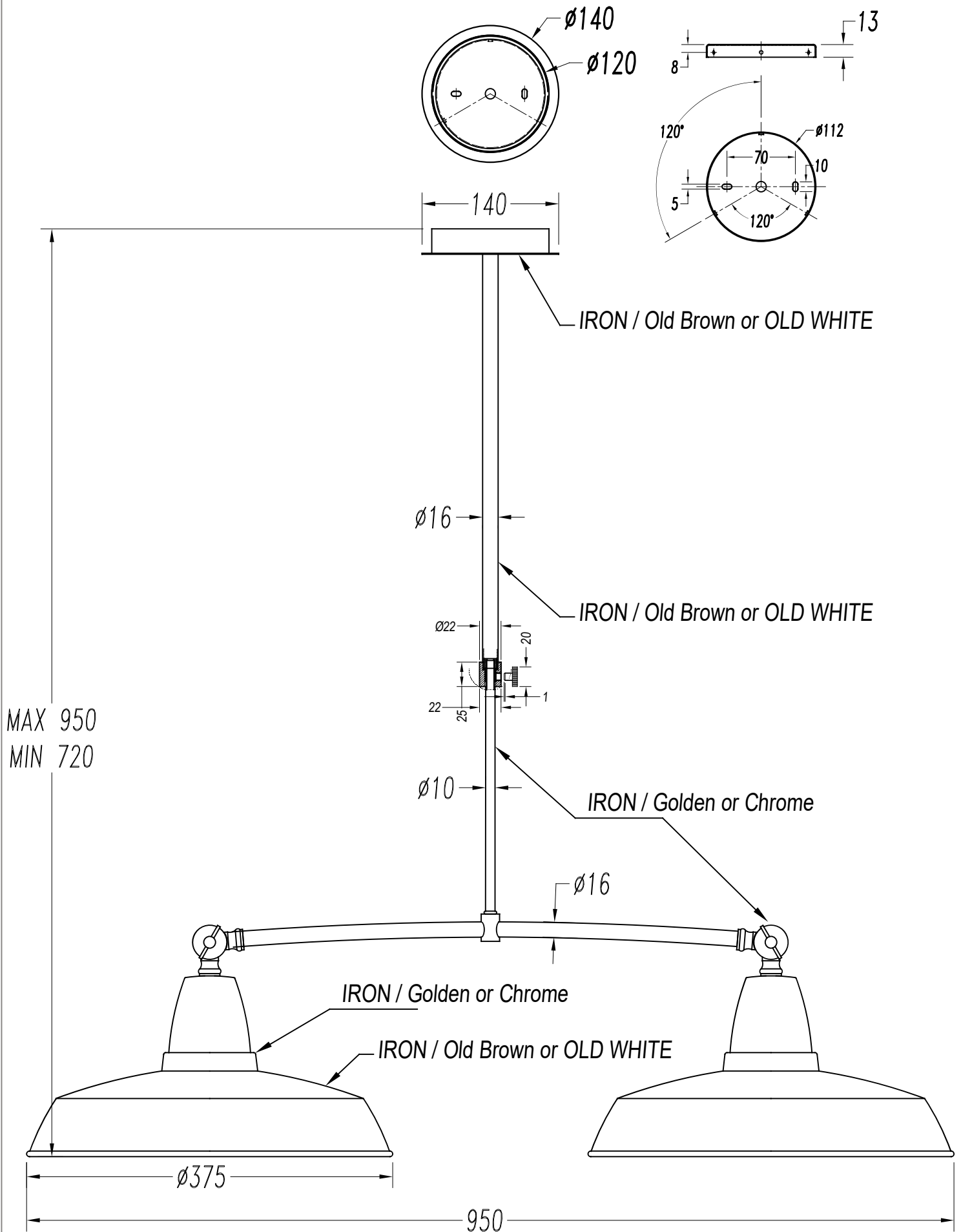
CIE Flux Codes

67 94 99 100 33

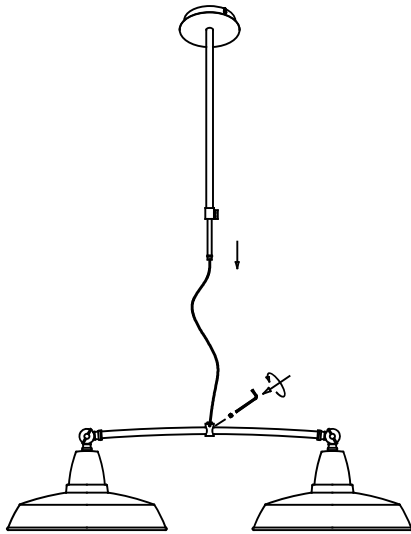
C.I.E.	3/2/2/2/2/2/2/2/2/3	LOR	33.32540 %
D DIN 5040	A50	ULOR	0.00000 %
F UTE	0.33 C	DLOR	33.32540 %
B NBN	BZ 2	UFF	0.00000 %
RN	0.00000 %	DFF	100.00000 %
BLF	1.0	FFR	0.00000 %



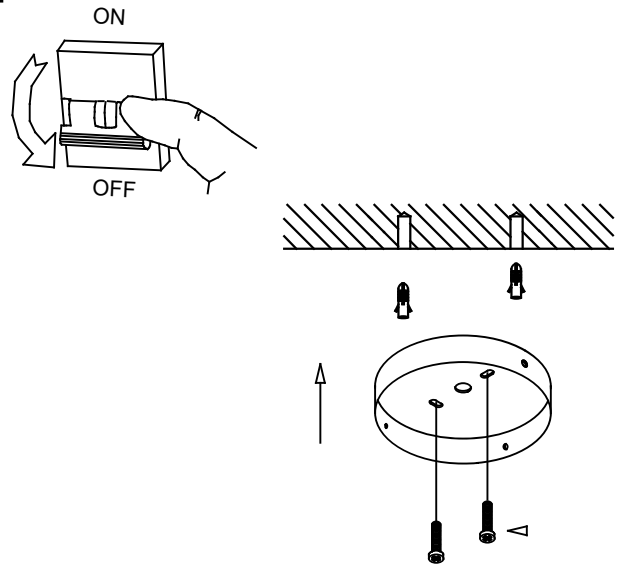
Zonal Flux				
Gamma °	Flux	Sum lm	Flux [%]	Sum [%]
0°	0.00	0.00	0.00%	0.00 %
5°	4.63	4.63	1.39 %	1.39 %
10°	13.63	18.26	4.09 %	5.48 %
15°	21.28	39.54	6.39 %	11.87 %
20°	26.28	65.82	7.89 %	19.75 %
25°	30.05	95.87	9.02 %	28.77 %
30°	33.84	129.71	10.15 %	38.92 %
35°	38.56	168.27	11.57 %	50.49 %
40°	42.77	211.04	12.83 %	63.33 %
45°	43.32	254.35	13.00 %	76.32 %
50°	31.62	285.97	9.49 %	85.81 %
55°	16.46	302.42	4.94 %	90.75 %
60°	10.65	313.07	3.19 %	93.94 %
65°	7.03	320.10	2.11 %	96.05 %
70°	4.62	324.72	1.39 %	97.44 %
75°	3.43	328.15	1.03 %	98.47 %
80°	2.48	330.62	0.74 %	99.21 %
85°	1.61	332.24	0.48 %	99.69 %
90°	1.02	333.25	0.31 %	100.00 %
95°	0.00	333.25	0.00 %	100.00 %
100°	0.00	333.25	0.00 %	100.00 %
105°	0.00	333.25	0.00 %	100.00 %
110°	0.00	333.25	0.00 %	100.00 %
115°	0.00	333.25	0.00 %	100.00 %
120°	0.00	333.25	0.00 %	100.00 %
125°	0.00	333.25	0.00 %	100.00 %
130°	0.00	333.25	0.00 %	100.00 %
135°	0.00	333.25	0.00 %	100.00 %
140°	0.00	333.25	0.00 %	100.00 %
145°	0.00	333.25	0.00 %	100.00 %
150°	0.00	333.25	0.00 %	100.00 %
155°	0.00	333.25	0.00 %	100.00 %
160°	0.00	333.25	0.00 %	100.00 %
165°	0.00	333.25	0.00 %	100.00 %
170°	0.00	333.25	0.00 %	100.00 %
175°	0.00	333.25	0.00 %	100.00 %
180°	0.00	333.25	0.00 %	100.00 %



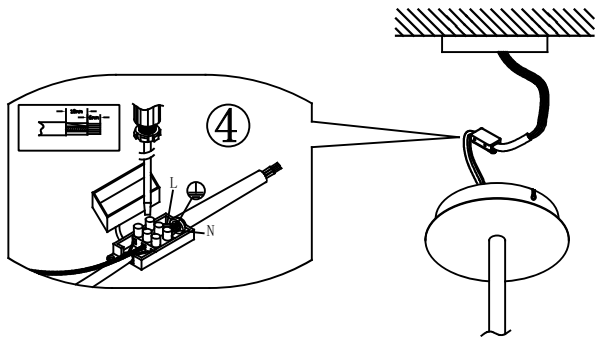
**1**



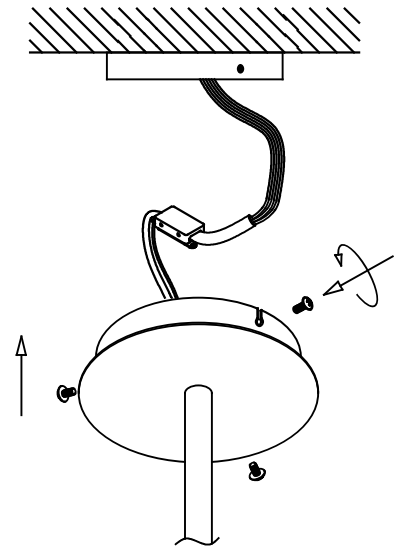
**2**



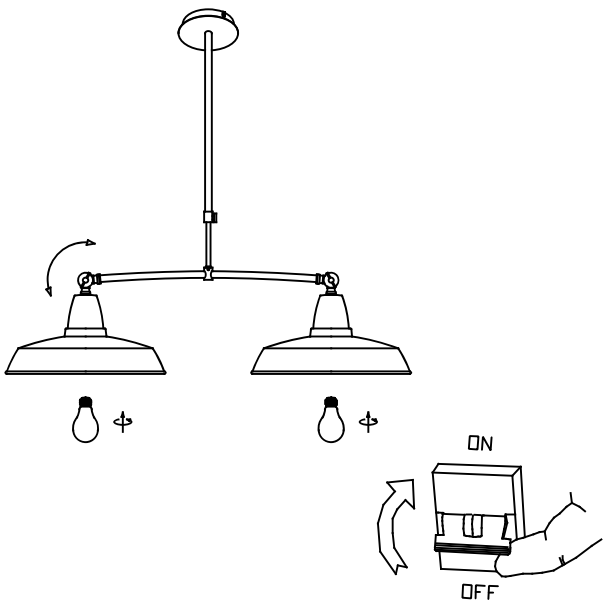
**3**



**4**



**5**



**6**

