

VINTAGE Pendant

Designer: Carlos Santolaria & Manel Llusca

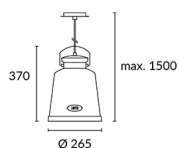


Description

Pendant VINTAGE E27 100W Golden amber 230lm

	Finish	Material
Structure	Golden amber	Steel Aluminium

 IP20
  FLOOD 70°
  2



TECHNICAL CHARACTERISTICS

Light source

Lampholder: 1 x E27
 Light source power (W): MAX 100W
 Luminaire total power (W): 100W
 Lamp maximum dimension: 240/220 mm
 Real Lumen: 230
 Quantity: 1
 Lm/Real W: 2
 UGR: 8.2
 Recommended lamp: E27

GEAR

Voltage / Frequency:
 100-240V/50-60Hz

Luminaire

Warranty: 5 Years

Logistics

Energy Efficiency: NO BULB
 EAN Code: 8435111091111
 Net Weight (Kg): 1.29
 Weight in Kg (packaged): 2.09
 Packing: 300 x 305 x 400
 Masterbox: 2

The photograph may not match the reference exactly. Please read the product description to identify the finish.

OPTIONAL ACCESSORIES



71-0253-14-14

Structure material: Aluminium
Dimensions: 85 x 146 x 51
Net Weight (Kg): 0.1

Luminaire

Code 00-0253-S4-CC
 Name Colgante 1x100W E27 inc

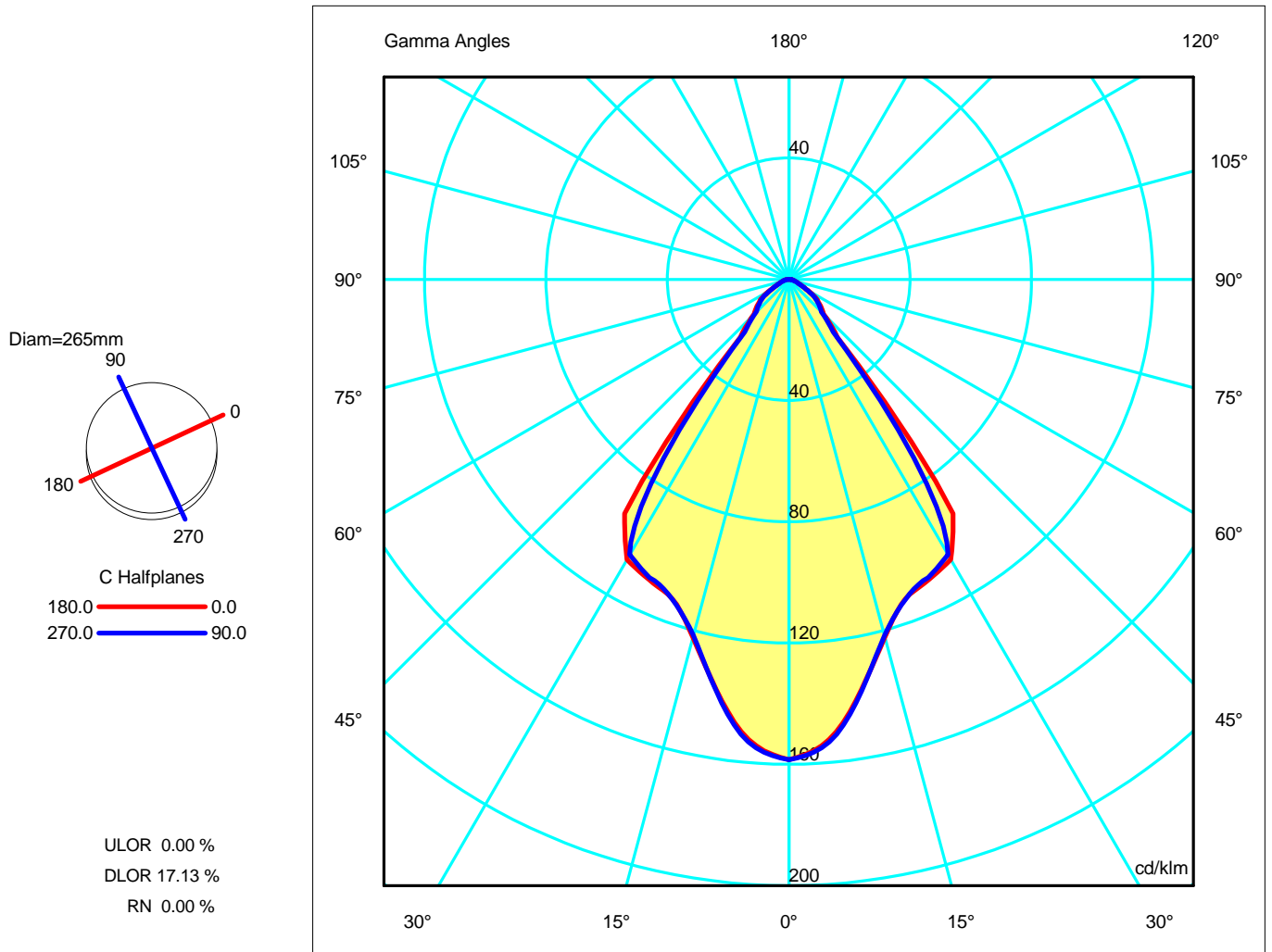
Measur.

Code 00-0253-S4-CC
 Name Colgante 1x100W E27 inc

Luminaire Flux	229.54 lm	Luminaire Power	100.00 W	Efficacy	2.30 lm/W	Efficiency	17.13%
Lamps Flux	1340.00 lm	Maximum value	158.40 cd/klm	Position	C=0.00 G=0.00	CG Double Symmetrical	
Round Luminaire Round Luminous Area		Diam. Diam.	265 mm 252 mm	Height Height	370 mm 0 mm		
Horizontal Luminous Area Emitting area on Plane 0° Emitting area on Plane 90°		0.049876 m2 0.000000 m2 0.000000 m2		Emitting area on Plane 180° Emitting area on Plane 270° Glare area at 76°		0.000000 m2 0.000000 m2 0.012066 m2	
Coordinate system Date Measurement Distance		CG 28-04-2017 0.00		Symmetry Type Maximum Gamma Angle Measurement Flux		Double Symmetrical 90 1340.00 lm	
Operator Temperature Humidity Notes		Asselum T2 25.00 °C 60.00 %		Source Voltage [V] Source current [A] Photocell			

Luminaire Lamps

Line	Code	Name	Flux [lm]	Pow. [W]	Q.ty
	STANDAR GOC 100W O	STANDAR GOC 100W O	1340.00	100.00	1
C.I.E. F UTE	85 96 99 100 17 0.17 A		D DIN 5040 B NBN	A60 BZ 1	



Luminaire

Code 00-0253-S4-CC
Name Colgante 1x100W E27 inc

Measur.

Code 00-0253-S4-CC
Name Colgante 1x100W E27 inc

Luminaire Flux	229.54 lm	Luminaire Power	100.00 W	Efficacy	2.30 lm/W	Efficiency	17.13%
Lamps Flux	1340.00 lm	Maximum value	158.40 cd/klm	Position	C=0.00 G=0.00	CG	Double Symmetrical

Luminous Intensity Table cd/klm Table 1/1

	C 0.00	C 15.00	C 30.00	C 45.00	C 60.00	C 75.00	C 90.00
G 0.0	158.40	158.40	158.40	158.40	158.40	158.40	158.40
G 5.0	152.38	150.20	150.69	152.39	153.01	153.41	153.15
G 10.0	137.46	135.85	135.71	137.74	136.89	138.48	137.89
G 15.0	122.23	120.30	120.64	122.50	122.32	124.20	121.66
G 20.0	112.20	112.30	112.24	113.02	111.86	112.86	112.31
G 25.0	109.20	109.24	109.11	109.69	108.80	108.95	108.61
G 30.0	106.72	105.44	105.36	104.50	104.61	104.79	104.84
G 35.0	94.32	73.85	73.73	72.12	75.33	71.28	71.88
G 40.0	24.90	23.11	22.09	26.11	23.73	24.66	22.68
G 45.0	16.16	15.68	15.51	15.50	15.25	15.33	15.14
G 50.0	13.70	13.02	13.18	13.12	13.09	12.99	12.76
G 55.0	11.13	10.70	10.58	10.48	10.30	10.20	10.45
G 60.0	7.25	6.36	6.39	6.73	6.53	6.87	6.51
G 65.0	4.13	3.97	3.91	3.92	3.87	3.99	3.92
G 70.0	2.95	2.67	2.74	2.77	2.72	2.75	2.72
G 75.0	2.01	1.84	1.84	1.89	1.89	1.85	1.85
G 80.0	1.31	1.22	1.20	1.21	1.17	1.18	1.16
G 85.0	0.78	0.68	0.72	0.71	0.74	0.69	0.70
G 90.0	0.14	0.15	0.17	0.19	0.20	0.22	0.21

Luminaire

Code 00-0253-S4-CC
 Name Colgante 1x100W E27 inc

Measur.

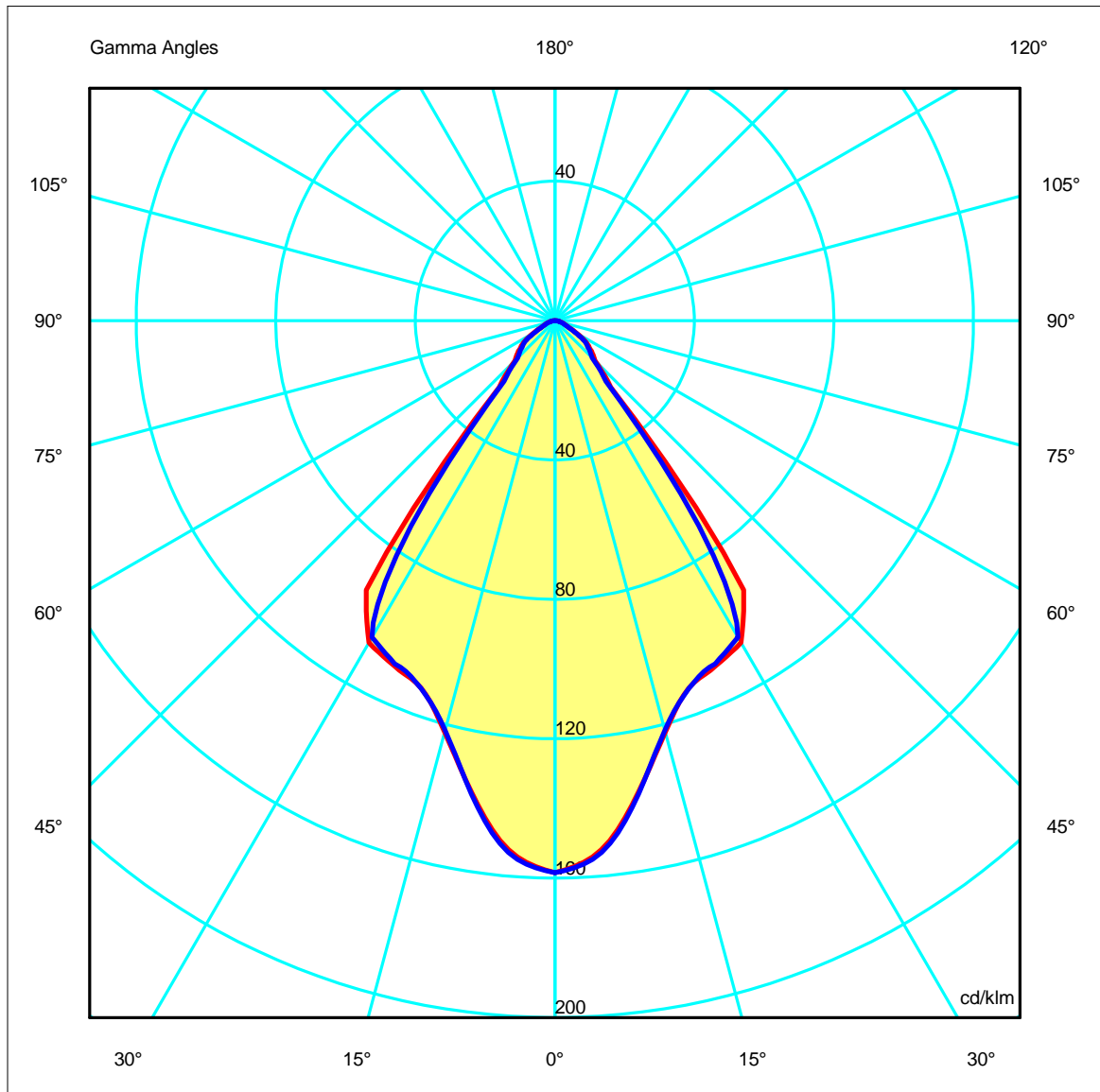
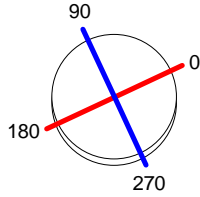
Code 00-0253-S4-CC
 Name Colgante 1x100W E27 inc

Luminaire Flux	229.54 lm	Luminaire Power	100.00 W	Efficacy	2.30 lm/W	Efficiency	17.13%
Lamps Flux	1340.00 lm	Maximum value	158.40 cd/klm	Position	C=0.00 G=0.00	CG Double Symmetrical	

Diam=265mm

C Halfplanes

180.0 ——— 0.0
 270.0 ——— 90.0



Luminaire

Code 00-0253-S4-CC
 Name Colgante 1x100W E27 inc

Measur.

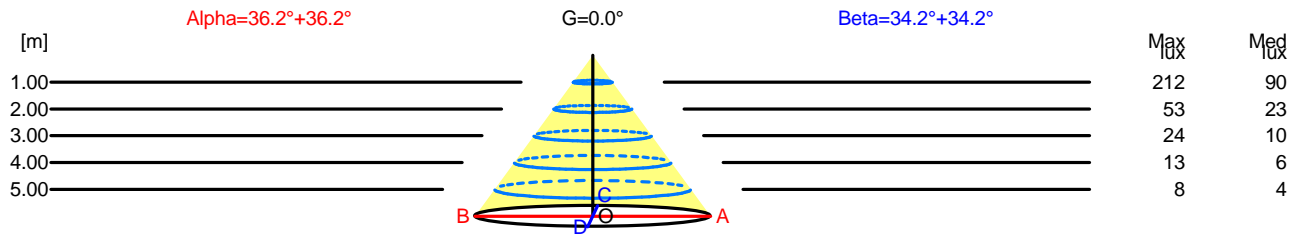
Code 00-0253-S4-CC
 Name Colgante 1x100W E27 inc

Luminaire Flux	229.54 lm	Luminaire Power	100.00 W	Efficacy	2.30 lm/W	Efficiency	17.13%
Lamps Flux	1340.00 lm	Maximum value	158.40 cd/klm	Position	C=0.00 G=0.00	CG	Double Symmetrical

Width at 50.00 % of Max Intensity

H[m]	1.00	2.00	3.00	4.00	5.00	H[m]	1.00	2.00	3.00	4.00	5.00
OA	0.73	1.46	2.20	2.93	3.66	OC	0.68	1.36	2.04	2.72	3.40
OB	0.73	1.46	2.20	2.93	3.66	OD	0.68	1.36	2.04	2.72	3.40

	Luminous Intensities [cd/klm]									
	0	5	15	25	35	45	55	65	75	85
OA	212.26	204.19	163.79	146.32	126.39	21.65	14.91	5.54	2.69	1.05
OB	212.26	204.19	163.79	146.32	126.39	21.65	14.91	5.54	2.69	1.05
OC	212.26	205.22	163.02	145.53	96.32	20.29	14.00	5.25	2.48	0.93
OD	212.26	205.22	163.02	145.53	96.32	20.29	14.00	5.25	2.48	0.93



H[m]	D[m]	Max lux	Med lux	Alpha=36.2°+36.2°	G=0.0	
1.00	1.46	212	90			
2.00	2.93	53	23			
3.00	4.39	24	10			
4.00	5.86	13	6			
5.00	7.32	8	4			

H[m]	D[m]	Max lux	Med lux	Beta=34.2°+34.2°	G=0.0	
1.00	1.36	212	90			
2.00	2.72	53	23			
3.00	4.08	24	10			
4.00	5.44	13	6			
5.00	6.80	8	4			

Luminaire

Code 00-0253-S4-CC
Name Colgante 1x100W E27 inc

Measurment.

Code 00-0253-S4-CC
Name Colgante 1x100W E27 inc

Luminaire Flux	229.54 lm	Luminaire Power	100.00 W	Efficacy	2.30 lm/W	Efficiency	17.13%
Lamps Flux	1340.00 lm	Maximum value	158.40 cd/klm	Position	C=0.00 G=0.00	CG	Double Symmetrical

UGR
S = 0.250

Reflectancies										
Ceiling/Cavity	0.7	0.7	0.5	0.5	0.3	0.7	0.7	0.5	0.5	0.3
Walls	0.5	0.3	0.5	0.3	0.3	0.5	0.3	0.5	0.3	0.3
WorkingPlane	0.2	0.2	0.2	0.2	0.2	0.2	0.2	0.2	0.2	0.2
RoomDimensions	ViewedCrosswise					ViewedEndwise				
x=2H y=2H	8.3	9.2	8.6	9.4	9.4	8.2	9.0	8.5	9.3	9.4
x=2H y=3H	8.5	9.2	8.8	9.5	9.6	8.4	9.1	8.6	9.4	9.6
x=2H y=4H	8.6	9.3	8.9	9.6	9.7	8.5	9.2	8.8	9.5	9.7
x=2H y=6H	8.7	9.3	9.1	9.6	9.8	8.6	9.2	8.9	9.5	9.8
x=2H y=8H	8.8	9.4	9.1	9.7	9.8	8.6	9.2	9.0	9.5	9.8
x=2H y=12H	8.8	9.4	9.2	9.7	9.9	8.6	9.3	9.0	9.5	9.9
x=4H y=2H	8.4	9.1	8.7	9.4	9.5	8.3	9.0	8.6	9.3	9.5
x=4H y=3H	8.7	9.3	9.1	9.6	9.8	8.6	9.2	9.0	9.5	9.8
x=4H y=4H	8.8	9.3	9.2	9.7	10.0	8.7	9.2	9.1	9.6	10.0
x=4H y=6H	9.0	9.4	9.4	9.8	10.1	8.9	9.3	9.3	9.7	10.1
x=4H y=8H	9.1	9.5	9.6	9.9	10.2	9.0	9.4	9.5	9.8	10.2
x=4H y=12H	9.2	9.6	9.7	10.0	10.2	9.1	9.4	9.5	9.9	10.2
x=8H y=4H	8.9	9.3	9.4	9.7	10.0	8.8	9.2	9.3	9.6	10.0
x=8H y=6H	9.1	9.4	9.6	9.8	10.1	9.0	9.3	9.4	9.7	10.1
x=8H y=8H	9.3	9.6	9.8	10.0	10.3	9.1	9.4	9.7	9.9	10.3
x=8H y=12H	9.4	9.6	9.9	10.1	10.5	9.3	9.5	9.8	10.0	10.5
x=12H y=4H	8.9	9.3	9.3	9.7	9.9	8.8	9.2	9.2	9.6	9.9
x=12H y=6H	9.1	9.4	9.6	9.9	10.2	9.0	9.3	9.5	9.8	10.2
x=12H y=8H	9.3	9.5	9.8	10.0	10.4	9.2	9.4	9.7	9.9	10.4

Luminaire

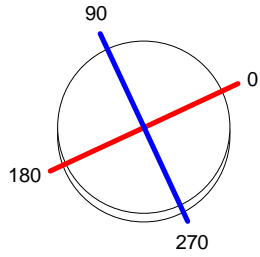
Code 00-0253-S4-CC
 Name Colgante 1x100W E27 inc

Measur.

Code 00-0253-S4-CC
 Name Colgante 1x100W E27 inc

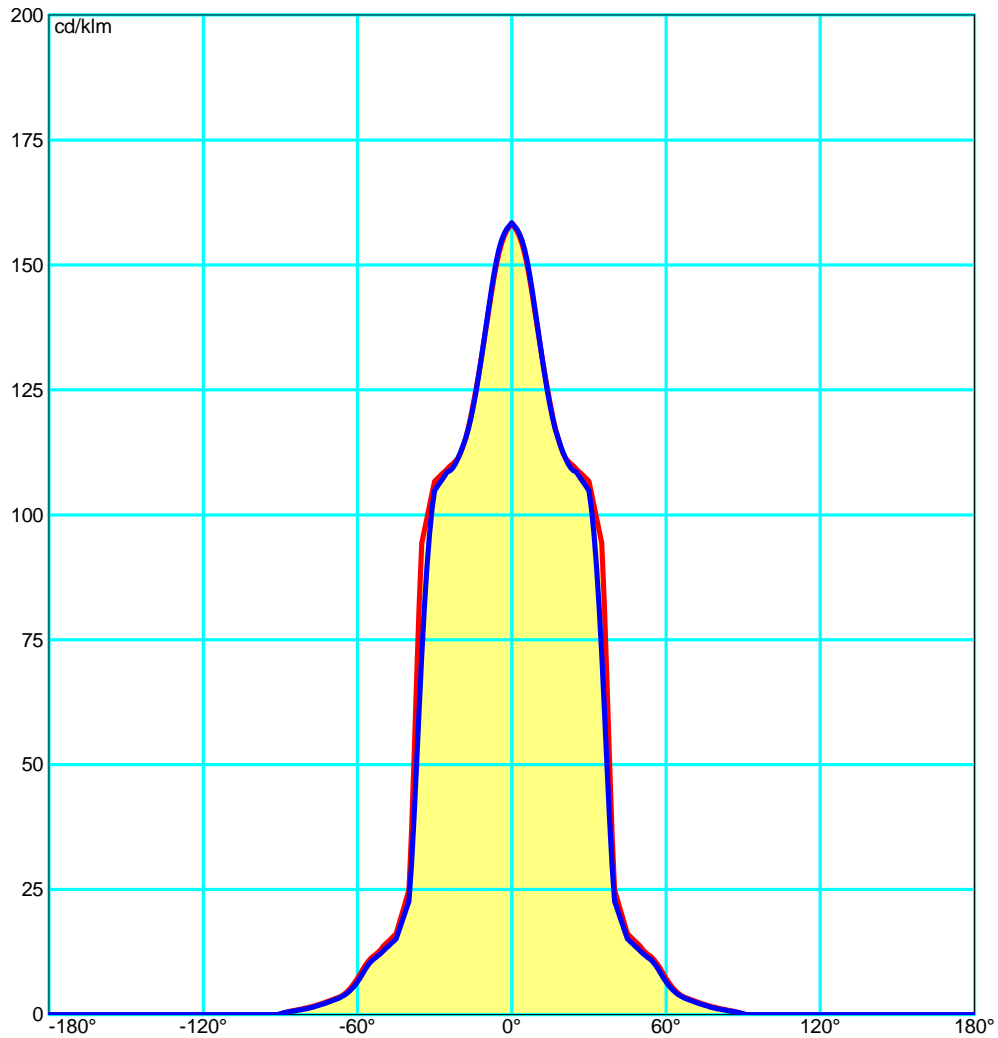
Luminaire Flux	229.54 lm	Luminaire Power	100.00 W	Efficacy	2.30 lm/W	Efficiency	17.13%
Lamps Flux	1340.00 lm	Maximum value	158.40 cd/klm	Position	C=0.00 G=0.00	CG	Double Symmetrical

Diam=265mm



C Halfplanes

180.0 ———— 0.0
 270.0 ———— 90.0



Luminaire

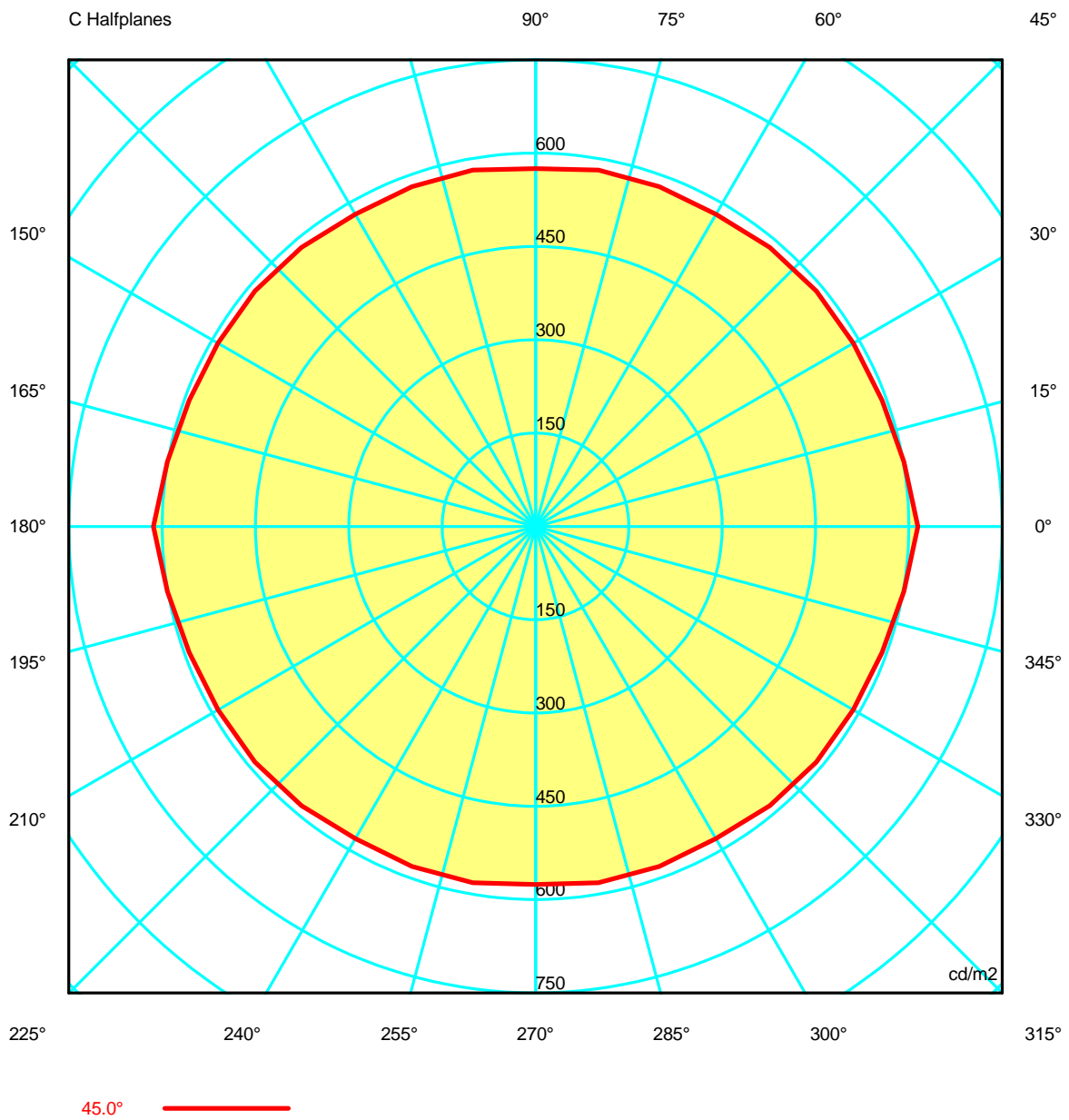
Code 00-0253-S4-CC
 Name Colgante 1x100W E27 inc

Measur.

Code 00-0253-S4-CC
 Name Colgante 1x100W E27 inc

Luminaire Flux	229.54 lm	Luminaire Power	100.00 W	Efficacy	2.30 lm/W	Efficiency	17.13%
Lamps Flux	1340.00 lm	Maximum value	158.40 cd/klm	Position	C=0.00 G=0.00	CG	Double Symmetrical

Luminance



Luminaire

Code 00-0253-S4-CC
Name Colgante 1x100W E27 inc

Measurerm.

Code 00-0253-S4-CC
Name Colgante 1x100W E27 inc

Luminaire Flux	229.54 lm	Luminaire Power	100.00 W	Efficacy	2.30 lm/W	Efficiency	17.13%
Lamps Flux	1340.00 lm	Maximum value	158.40 cd/klm	Position	C=0.00 G=0.00	CG	Double Symmetrical

Luminance cd/m2 Table 1/3

	C 0.00	C 10.00	C 20.00	C 30.00	C 40.00	C 50.00	C 60.00	C 70.00	C 80.00	C 90.00	C 100.00	C 110.00	C 120.00
G 0.0	4255.70	4255.70	4255.70	4255.70	4255.70	4255.70	4255.70	4255.70	4255.70	4255.70	4255.70	4255.70	4255.70
G 5.0	4109.52	4064.30	4047.26	4064.04	4096.06	4118.21	4126.61	4134.92	4136.75	4130.34	4136.75	4134.92	4126.61
G 10.0	3750.01	3719.04	3696.69	3702.32	3744.84	3753.03	3734.54	3762.74	3780.80	3761.68	3780.80	3762.74	3734.54
G 15.0	3399.79	3359.39	3340.51	3355.44	3395.21	3405.93	3402.18	3442.24	3445.05	3383.76	3445.05	3442.24	3402.18
G 20.0	3207.89	3211.31	3210.09	3209.01	3223.84	3221.37	3198.32	3216.21	3228.05	3211.10	3228.05	3216.21	3198.32
G 25.0	3237.05	3239.41	3237.14	3234.58	3249.05	3245.05	3225.42	3228.29	3228.93	3219.57	3228.93	3228.29	3225.42
G 30.0	3310.66	3279.82	3269.31	3268.59	3250.18	3239.47	3245.16	3249.72	3251.54	3252.44	3251.54	3249.72	3245.16
G 35.0	3093.57	2576.64	2420.70	2418.12	2375.77	2398.07	2470.65	2387.44	2321.35	2357.61	2321.35	2387.44	2470.65
G 40.0	873.28	835.39	782.18	774.91	881.19	902.52	832.22	850.87	856.78	795.40	856.78	850.87	832.22
G 45.0	614.00	601.00	592.28	589.47	589.08	585.64	579.35	581.45	581.64	575.30	581.64	581.45	579.35
G 50.0	572.50	549.81	546.31	550.77	549.15	547.56	547.22	545.11	540.20	533.37	540.20	545.11	547.22
G 55.0	521.36	506.38	498.00	495.69	493.03	488.41	482.55	477.99	480.30	489.31	480.30	477.99	482.55
G 60.0	389.43	353.46	336.83	343.33	358.52	358.24	350.70	363.84	367.50	349.69	367.50	363.84	350.70
G 65.0	262.70	255.35	250.16	248.47	249.52	248.22	246.00	251.11	253.37	248.97	253.37	251.11	246.00
G 70.0	232.00	214.16	209.25	215.17	217.98	215.86	213.32	215.28	216.11	213.40	216.11	215.28	213.32
G 75.0	208.19	194.80	189.00	191.03	194.61	196.58	195.82	193.03	191.43	191.91	191.43	193.03	195.82
G 80.0	202.96	192.80	186.65	185.73	187.44	185.57	181.53	182.21	182.52	179.83	182.52	182.21	181.53
G 85.0	241.73	215.85	213.70	221.18	220.63	222.84	227.74	217.07	209.88	214.35	209.88	217.07	227.74
G 90.0	0.00	0.00	0.00	0.00	0.00	0.00	0.00	0.00	0.00	0.00	0.00	0.00	0.00

Luminaire

Code 00-0253-S4-CC
Name Colgante 1x100W E27 inc

Measurerm.

Code 00-0253-S4-CC
Name Colgante 1x100W E27 inc

Luminaire Flux	229.54 lm	Luminaire Power	100.00 W	Efficacy	2.30 lm/W	Efficiency	17.13%
Lamps Flux	1340.00 lm	Maximum value	158.40 cd/klm	Position	C=0.00 G=0.00	CG	Double Symmetrical

Luminance cd/m2 Table 2/3

	C 130.00	C 140.00	C 150.00	C 160.00	C 170.00	C 180.00	C 190.00	C 200.00	C 210.00	C 220.00	C 230.00	C 240.00	C 250.00
G 0.0	4255.70	4255.70	4255.70	4255.70	4255.70	4255.70	4255.70	4255.70	4255.70	4255.70	4255.70	4255.70	4255.70
G 5.0	4118.21	4096.06	4064.04	4047.26	4064.30	4109.52	4064.30	4047.26	4064.04	4096.06	4118.21	4126.61	4134.92
G 10.0	3753.03	3744.84	3702.32	3696.69	3719.04	3750.01	3719.04	3696.69	3702.32	3744.84	3753.03	3734.54	3762.74
G 15.0	3405.93	3395.21	3355.44	3340.51	3359.39	3399.79	3359.39	3340.51	3355.44	3395.21	3405.93	3402.18	3442.24
G 20.0	3221.37	3223.84	3209.01	3210.09	3211.31	3207.89	3211.31	3210.09	3209.01	3223.84	3221.37	3198.32	3216.21
G 25.0	3245.05	3249.05	3234.58	3237.14	3239.41	3237.05	3239.41	3237.14	3234.58	3249.05	3245.05	3225.42	3228.29
G 30.0	3239.47	3250.18	3268.59	3269.31	3279.82	3310.66	3279.82	3269.31	3268.59	3250.18	3239.47	3245.16	3249.72
G 35.0	2398.07	2375.77	2418.12	2420.70	2576.64	3093.57	2576.64	2420.70	2418.12	2375.77	2398.07	2470.65	2387.44
G 40.0	902.52	881.19	774.91	782.18	835.39	873.28	835.39	782.18	774.91	881.19	902.52	832.22	850.87
G 45.0	585.64	589.08	589.47	592.28	601.00	614.00	601.00	592.28	589.47	589.08	585.64	579.35	581.45
G 50.0	547.56	549.15	550.77	546.31	549.81	572.50	549.81	546.31	550.77	549.15	547.56	547.22	545.11
G 55.0	488.41	493.03	495.69	498.00	506.38	521.36	506.38	498.00	495.69	493.03	488.41	482.55	477.99
G 60.0	358.24	358.52	343.33	336.83	353.46	389.43	353.46	336.83	343.33	358.52	358.24	350.70	363.84
G 65.0	248.22	249.52	248.47	250.16	255.35	262.70	255.35	250.16	248.47	249.52	248.22	246.00	251.11
G 70.0	215.86	217.98	215.17	209.25	214.16	232.00	214.16	209.25	215.17	217.98	215.86	213.32	215.28
G 75.0	196.58	194.61	191.03	189.00	194.80	208.19	194.80	189.00	191.03	194.61	196.58	195.82	193.03
G 80.0	185.57	187.44	185.73	186.65	192.80	202.96	192.80	186.65	185.73	187.44	185.57	181.53	182.21
G 85.0	222.84	220.63	221.18	213.70	215.85	241.73	215.85	213.70	221.18	220.63	222.84	227.74	217.07
G 90.0	0.00	0.00	0.00	0.00	0.00	0.00	0.00	0.00	0.00	0.00	0.00	0.00	0.00

Luminaire

Code 00-0253-S4-CC
Name Colgante 1x100W E27 inc

Measur.

Code 00-0253-S4-CC
Name Colgante 1x100W E27 inc

Luminaire Flux	229.54 lm	Luminaire Power	100.00 W	Efficacy	2.30 lm/W	Efficiency	17.13%
Lamps Flux	1340.00 lm	Maximum value	158.40 cd/klm	Position	C=0.00 G=0.00	CG	Double Symmetrical

Luminance cd/m2 Table 3/3

	C 260.00	C 270.00	C 280.00	C 290.00	C 300.00	C 310.00	C 320.00	C 330.00	C 340.00	C 350.00
G 0.0	4255.70	4255.70	4255.70	4255.70	4255.70	4255.70	4255.70	4255.70	4255.70	4255.70
G 5.0	4136.75	4130.34	4136.75	4134.92	4126.61	4118.21	4096.06	4064.04	4047.26	4064.30
G 10.0	3780.80	3761.68	3780.80	3762.74	3734.54	3753.03	3744.84	3702.32	3696.69	3719.04
G 15.0	3445.05	3383.76	3445.05	3442.24	3402.18	3405.93	3395.21	3355.44	3340.51	3359.39
G 20.0	3228.05	3211.10	3228.05	3216.21	3198.32	3221.37	3223.84	3209.01	3210.09	3211.31
G 25.0	3228.93	3219.57	3228.93	3228.29	3225.42	3245.05	3249.05	3234.58	3237.14	3239.41
G 30.0	3251.54	3252.44	3251.54	3249.72	3245.16	3239.47	3250.18	3268.59	3269.31	3279.82
G 35.0	2321.35	2357.61	2321.35	2387.44	2470.65	2398.07	2375.77	2418.12	2420.70	2576.64
G 40.0	856.78	795.40	856.78	850.87	832.22	902.52	881.19	774.91	782.18	835.39
G 45.0	581.64	575.30	581.64	581.45	579.35	585.64	589.08	589.47	592.28	601.00
G 50.0	540.20	533.37	540.20	545.11	547.22	547.56	549.15	550.77	546.31	549.81
G 55.0	480.30	489.31	480.30	477.99	482.55	488.41	493.03	495.69	498.00	506.38
G 60.0	367.50	349.69	367.50	363.84	350.70	358.24	358.52	343.33	336.83	353.46
G 65.0	253.37	248.97	253.37	251.11	246.00	248.22	249.52	248.47	250.16	255.35
G 70.0	216.11	213.40	216.11	215.28	213.32	215.86	217.98	215.17	209.25	214.16
G 75.0	191.43	191.91	191.43	193.03	195.82	196.58	194.61	191.03	189.00	194.80
G 80.0	182.52	179.83	182.52	182.21	181.53	185.57	187.44	185.73	186.65	192.80
G 85.0	209.88	214.35	209.88	217.07	227.74	222.84	220.63	221.18	213.70	215.85
G 90.0	0.00	0.00	0.00	0.00	0.00	0.00	0.00	0.00	0.00	0.00

Luminaire

Code 00-0253-S4-CC
 Name Colgante 1x100W E27 inc

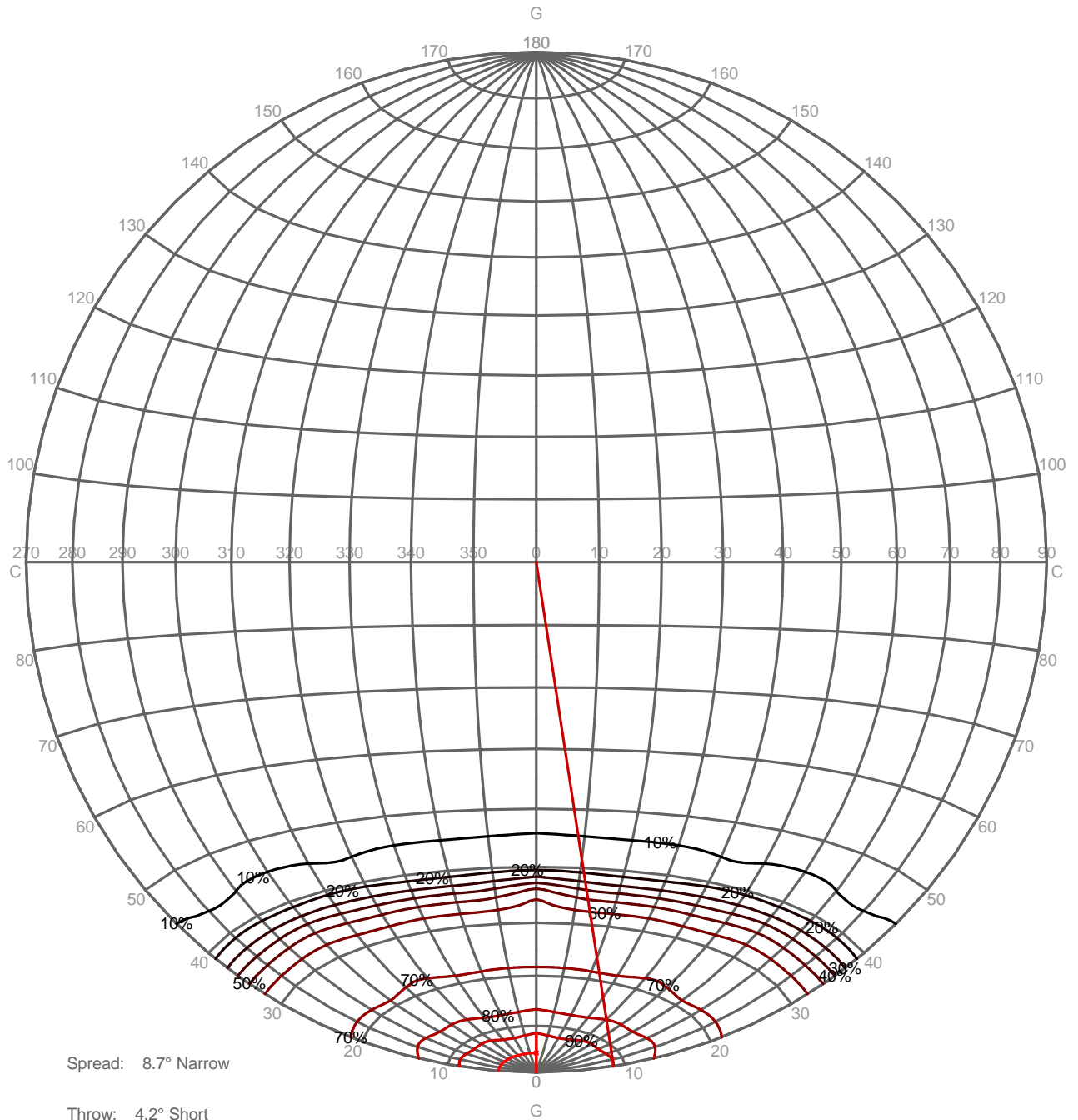
Measur.

Code 00-0253-S4-CC
 Name Colgante 1x100W E27 inc

Luminaire Flux	229.54 lm	Luminaire Power	100.00 W	Efficacy	2.30 lm/W	Efficiency	17.13%
Lamps Flux	1340.00 lm	Maximum value	158.40 cd/klm	Position	C=0.00 G=0.00	CG	Double Symmetrical

PERCENTAGE ISOCANDLES

Projection: Equal Area SLI 11.4 Tight Tilting Angle:0°

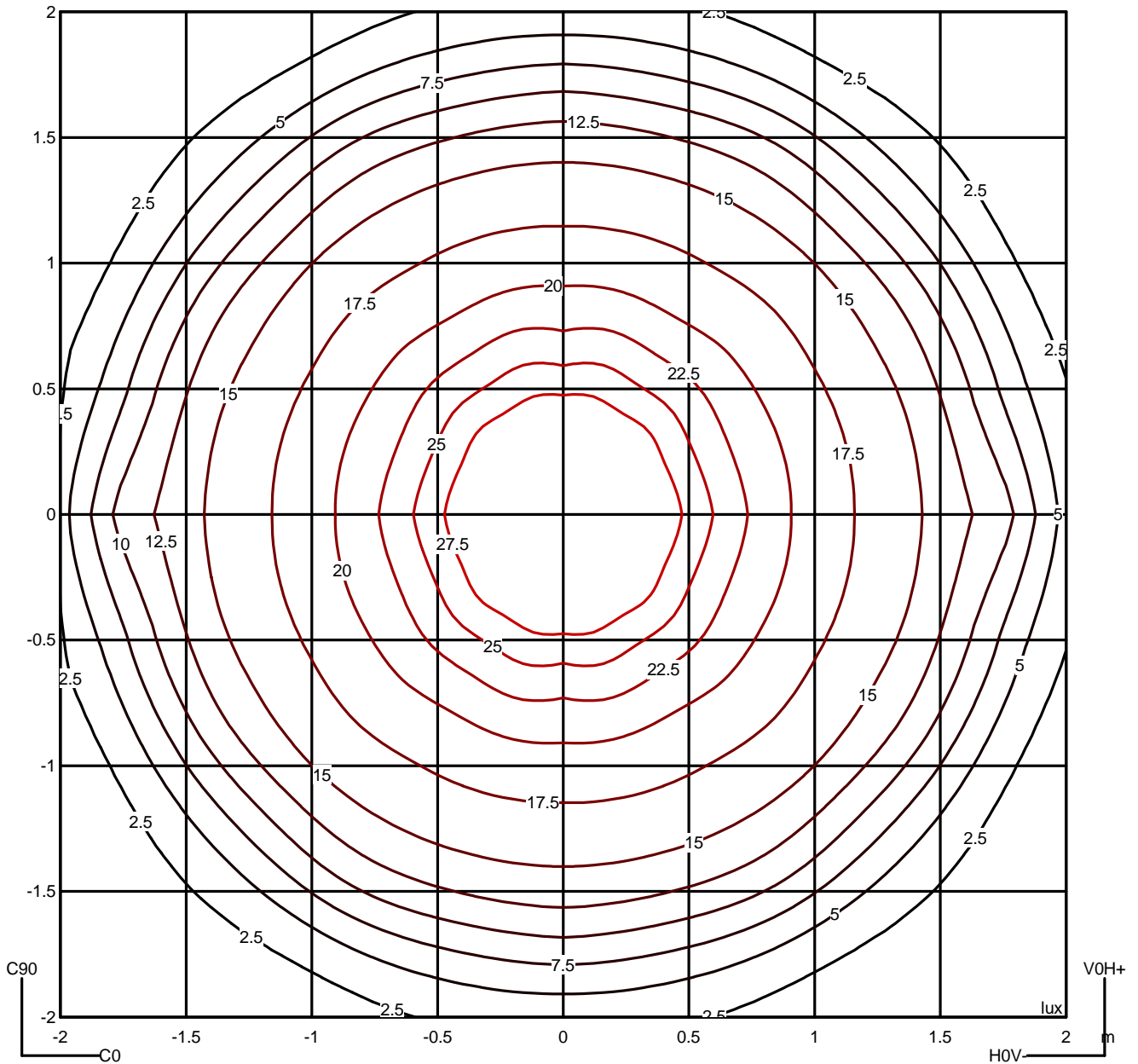


Luminaire
 Code 00-0253-S4-CC
 Name Colgante 1x100W E27 inc
Measur.
 Code 00-0253-S4-CC
 Name Colgante 1x100W E27 inc

Luminaire Flux	229.54 lm	Luminaire Power	100.00 W	Efficacy	2.30 lm/W	Efficiency	17.13%
Lamps Flux	1340.00 lm	Maximum value	158.40 cd/klm	Position	C=0.00 G=0.00	CG Double Symmetrical	

Isolux (Floor)

Luminaire position X=0.00m Y=0.00m Z=2.50m



Luminaire

Code 00-0253-S4-CC
 Name Colgante 1x100W E27 inc

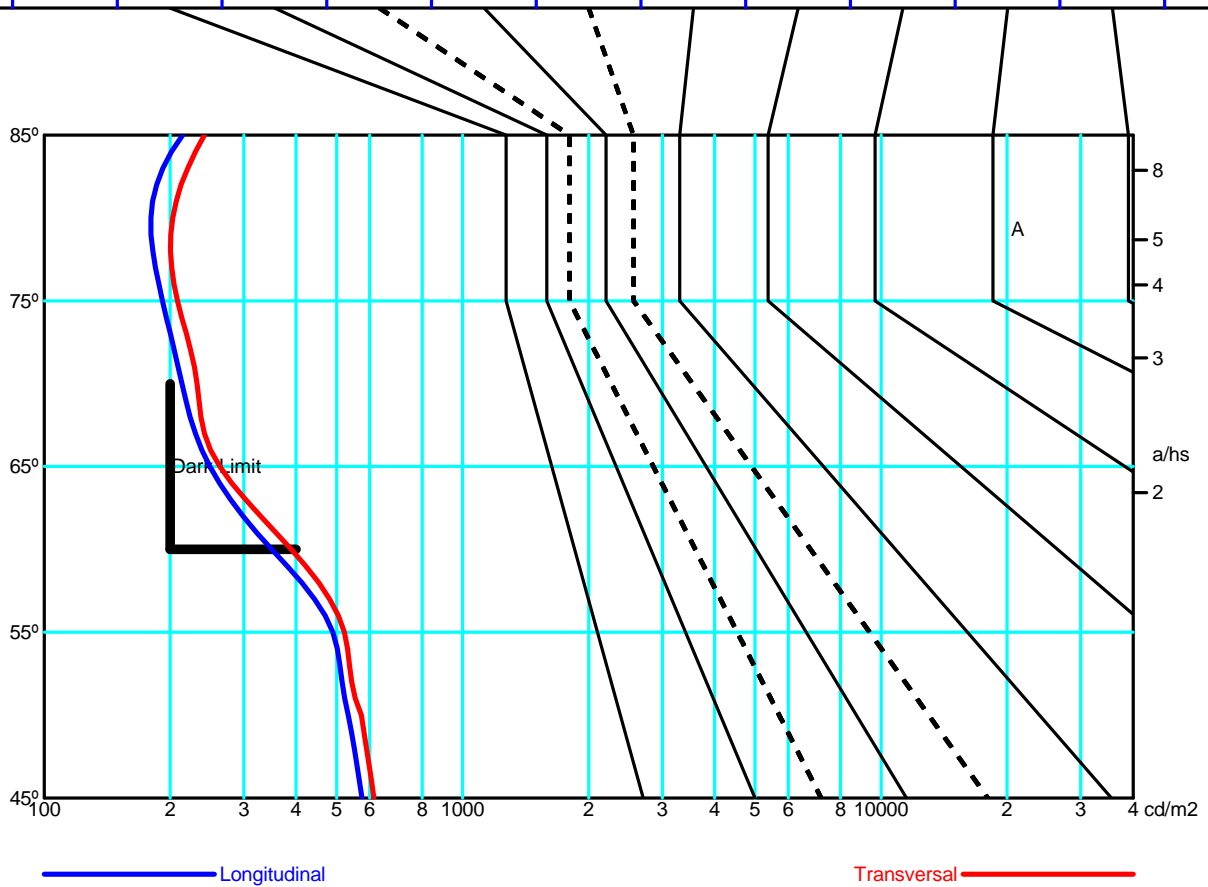
Measur.

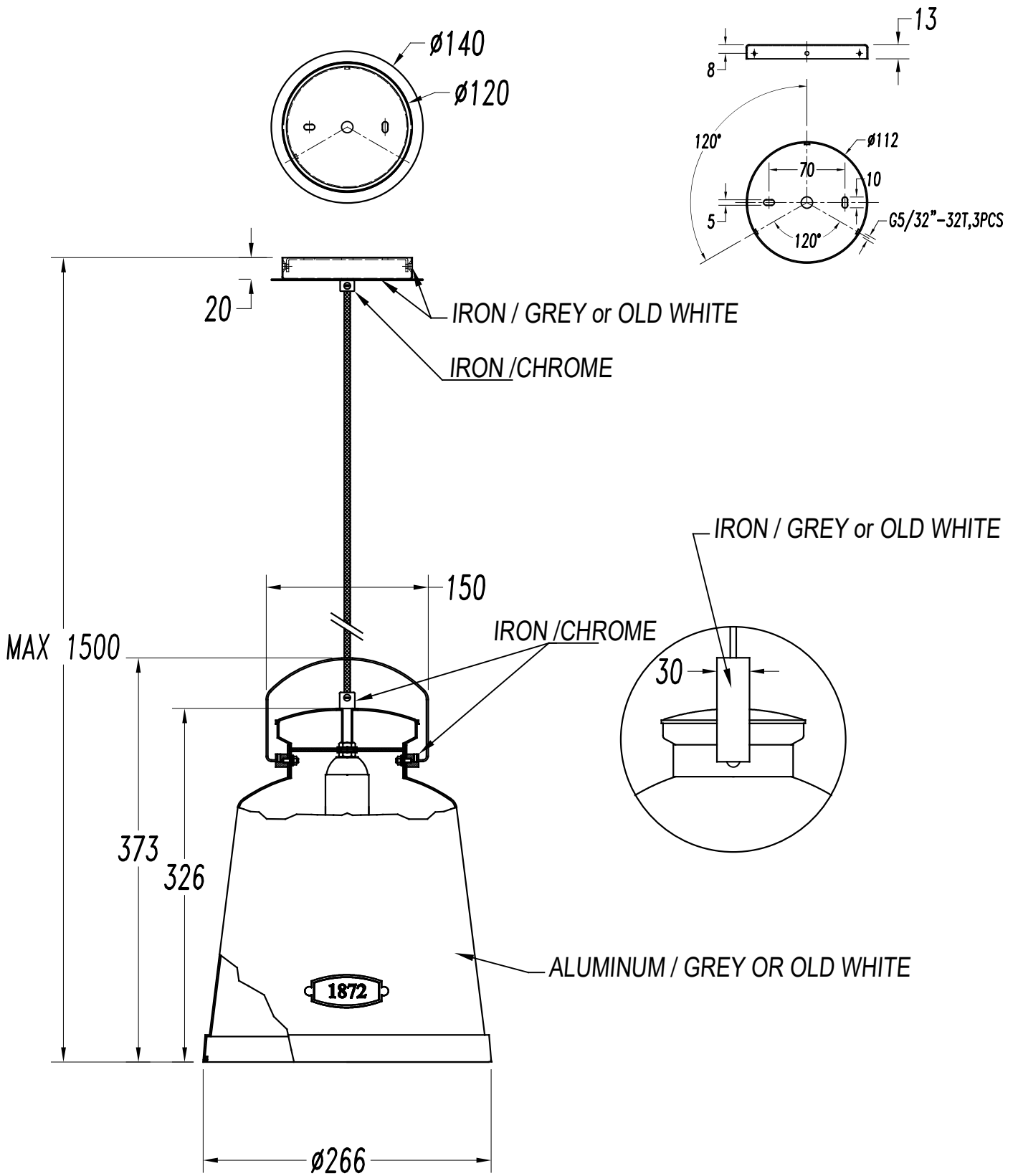
Code 00-0253-S4-CC
 Name Colgante 1x100W E27 inc

Luminaire Flux	229.54 lm	Luminaire Power	100.00 W	Efficacy	2.30 lm/W	Efficiency	17.13%
Lamps Flux	1340.00 lm	Maximum value	158.40 cd/klm	Position	C=0.00 G=0.00	CG Double Symmetrical	

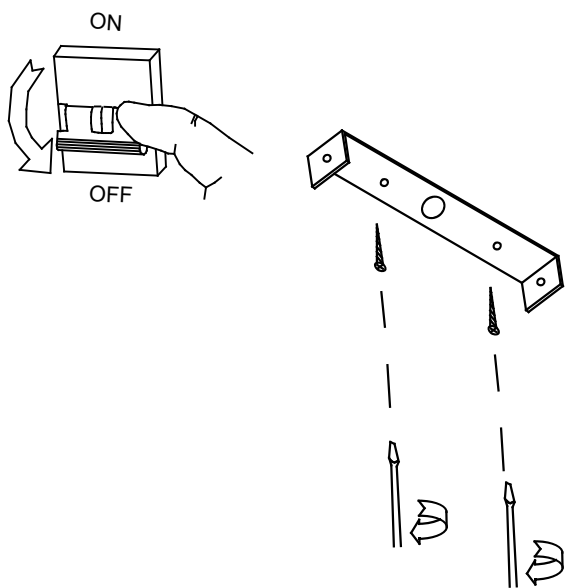
Average Luminance [cd/m ²]										
0.0°	45°	50°	55°	60°	65°	70°	75°	80°	85°	
614	573	521	389	263	232	208	203	242	---	
575	533	489	350	249	213	192	180	214	---	

Flush mounted or longitudinal view												
		Illumination(Ix)										
A	A	2000	1000	750	500		<300					1.15
B	1		2000	1500	1000	750	500	<300				1.5
C					2000		1000	500	<300			1.85
D	2						2000	1000	500	<300		2.2
E	3							2000	1000	500	<300	2.55



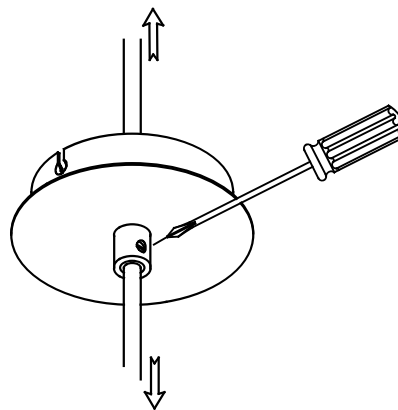


1

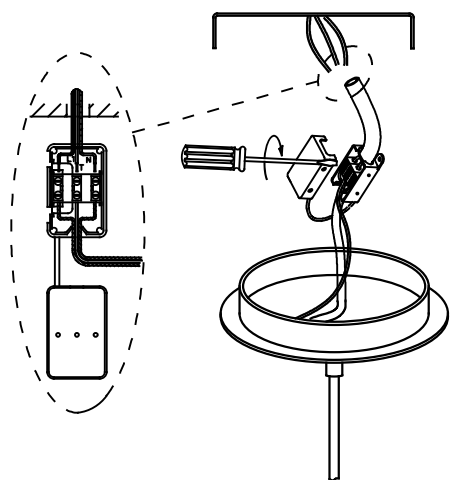


2

X1

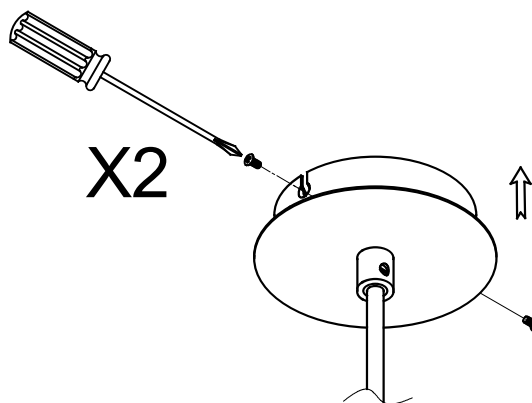


3

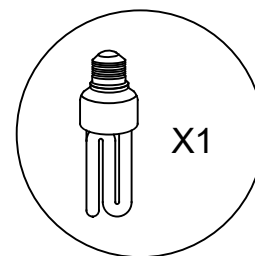
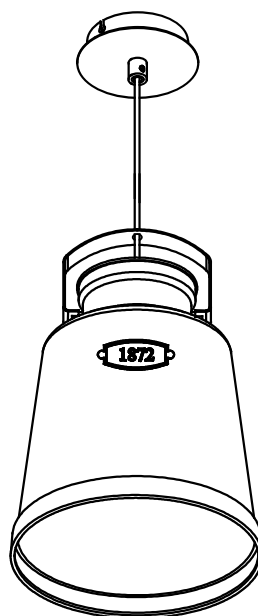
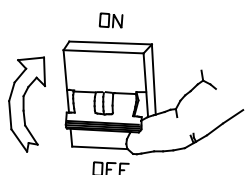
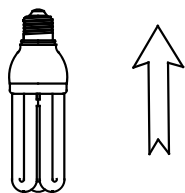
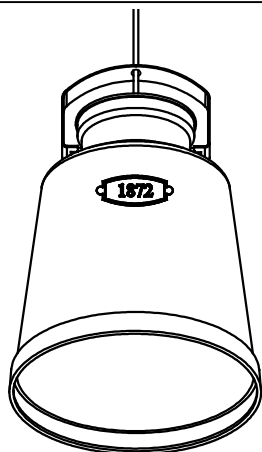


4

X2



5



X1